



**2000
ELECTRICAL WIRING
MANUAL**

MINOTOUR

2000 ELECTRICAL WIRING MANUAL

This manual should be kept in a convenient place for ready reference.

All information, illustrations, and specifications contained in this manual are based on the latest product information available at the time of publication approval. The right is reserved to make changes at any time without notice.

No part of this publication may be reproduced, stored in any retrieval system, or transmitted in any form or by any means, including but not limited to electronic, mechanical, photocopying, recording, or otherwise, without the prior written permission of Thomas Built Buses Incorporated.

This manual covers:
Units manufactured between
January 1, 2000 & December 31, 2000

©2000 Thomas Built Buses, Inc. All rights reserved. No portion of this catalog may be reproduced by any means without express permission from the copyright holder.
Printed In U.S.A. 6/01

2000 MINOTOUR TABLE of CONTENTS

BODY SCHEMATICS	Page #
General Recommendations - Maintenance and Repair	1
System Protection from Short Circuits	1
Testing for Voltage Drop	2
Testing for Short to Ground	2
Checking Current Draw	2
Troubleshooting Tools	2
Troubleshooting Tests	2
PANELS	3
Harness, Switch Cabinet Primary Harness (1 of 2)	4
Harness, Switch Cabinet Primary Harness (2 of 2)	5
Harness, Switch Panel, Primary (1 of 2)	6
Harness, Switch Panel, Primary (2 of 2)	7
Harness, Switch Panel Electrical Chassis, Ford/GMC	8
Harness, Option Interface (1 of 2)	9
Harness, Option Interface (2 of 2)	10
Harness, Option Interface	11
Body to Chassis Electrical Interface	12
Harness, Standard, Body to Chassis Interface, GM	13
Harness, Standard, Body to Chassis Interface, GM	14
Harness, Primary Chassis Interface, GM	15
Chassis to Body Interface, Ford	16
Harness, "A" 18 Chassis Underdash, Ford	17
Harness, Body Chassis Standard Interface, Ford	18
Harness, Primary Chassis Interface, Ford	19
Harness, Chassis Body Power Feed, 4Ga. Red	20
Harness, Chassis Body Power Feed, 4Ga. Jumper	21
Chart - Circuits, Electrical (Body) (1 of 5)	22
Chart - Circuits, Electrical (Body) (2 of 5)	23
Chart - Circuits, Electrical (Body) (3 of 5)	24
Chart - Circuits, Electrical (Body) (4 of 5)	25
Chart - Circuits, Electrical (Body) (5 of 5)	26
MAIN BODY	27
Harness, Main Body, Front	28
Harness, Main Body, Front	29
Harness, Main Body, Front	30
Harness, Main Body	31

BODY SCHEMATICS	Page #
MAIN BODY (continued)	32
Harness, Main Body, Rear (S. Carolina)	32
LIGHTS	33
Switch Panel Lighting, Standard Operation	34
Harness, Dimmer By-Pass, Dash/Dome Lights	35
Optional Warning Lights	36
Harness, Warning Pilot Lights	37
Double Faced Turn Signal	38
Interior Lighting (Option: B3255-04-000)	39
Harness, Jumper, Interior Light (Option: B3255-04-000)	40
Light, Interior/Exterior on A.D.A. Side Door (Option: B3265-00-001)	41
Emergency Door Activated Dome Light, with and without Vandalock	42
Dome Light, Standard Activation	43
Dome Light (Option: B3250-00-000)	44
Dome Light, Optional Activation	45
Dome Light (Option: B3255-04-000)	46
Dome Light (Option: B3255-04-000)	47
Harness, Special Dome Activation (Option: B3255-04-000 w/B3250-00-000)	48
Harness, Special Dome Light Activation	49
Harness, Special Activation, Dome Lights	50
Harness, Switch Wiring, Dome and Step Light	51
Harness, Switch Wiring, Dome (Option: B3250-00-000)	52
Harness, Dome/Step Light (Option: B3290-00-000)	53
Harness, Standard Dome/Step Light Activation	54
Dimmer Switch, Dash and Dome	55
Harness, Dimmer By-Pass, Dash/Dome Light	56
Harness, Dimmer (Option: B3260-00-000)	57
Harness, Dimmer (Option: B3260-00-000 w/B3250-00-000)	58
Harness, Dimmer (Option: B3260-00 w/B3260-01 and B3250-00)	59
Harness, Dimmer (Option: B3260-00 w/B3260-01)	60
Dimmer Switch (Option: B3260-01-000)	61
Harness, Dimmer Switch (Option: B3260-01-000)	62
Harness, Light - Rheo-stat (Option: B3260-01-000)	63
Reading Lights	64
Step Light (Option: B3290-00-000)	65
Step Light (Option: B3290-02-000)	66

2000 MINOTOUR

TABLE of CONTENTS

BODY SCHEMATICS	Page #
LIGHTS (continued)	
Harness, Step Light (Option: B3290-02-000)67
Step Light (Option: B3290-03-000)68
Harness, Step/Door Combination (Option: B3290-03-000)69
Step Light Switch70
Step Light Switch70
Strobe Light (South Carolina)71
Strobe Light Model #515-41071
Harness, Strobe Light Normal Operation72
Standard Strobe Light73
Strobe Light (Option: B3576-00-000)74
Strobe Light (Option: B3576-00-000)75
Harness, Strobe Light (Option: B3576-00-00)76
Harness, Strobe Switch (Option: B3576-00-00)77
Strobe Light (Option: B3576-01-000)78
Harness, Strobe Light (Option: B3576-01-000)79
Strobe Light (Option: B3701-04-000)80
Harness, Strobe Light (Option: B3701-04-000)81
Harness, Strobe Light (Option: B37XX-XX-XXX)82
Strobe Light Operation w/Door Switch83
Strobe Light, Roof Mounted, Specialty Model 205-20284
Separate Switch for Marker Lights (Option: B3670-01-000)85
Marker/Clearance Lights (Option: B3670-01-000)86
Harness, Marker/Clearance Lights (Option: B3670-01-000)87
Marker and Clearance Lights88
Harness, Standard Marker Light Operation89
EIGHT LIGHT WARNING SYSTEM	91
Four Light Warning System (Option: B3540-01-000)92
Harness, Four Light Warning System (Option: B3540-01-000)93
Four Light Warning System (Option: B3540-02-000)94
Harness, Four Light Warning System (Option: B3540-02-000)95
Four Light Warning System (Option: B3540-05-000)96
Harness, Four Light Warning System (Option: B3540-05-000)97
Four Light Warning System (Option: B3540-06-000)98
Harness, Four Light Warning System (Option: B3540-06-000)99

BODY SCHEMATICS	Page #
EIGHT LIGHT WARNING SYSTEM (continued)	
Warning Lights (Option: B3540-09-000)100
Harness, Four Light Warning System (Option: B3540-09-000)101
Harness, Four Light Warning System (Option: B3540-10-000)102
Harness, Warning Lights (Option: B3540-10-000)103
Harness, Switch, Warning Light (Option: B3540-10-000)104
Four Light Warning System (Option: B3540-12-000)105
Harness, Switch, Warning Light (Option: B3540-12-000)106
Four Light Warning System (Option: B3540-13-000)107
Harness, Four Light Warning System (Option: B3540-13-000)108
Harness, E.L.S. B-4 Flasher (Option: B3540-13-000)109
Harness, Flasher - Chassis Interface (Option: B3540-13-000)110
Harness, Weldon 7000 Flasher111
Harness, Weldon 7000 Flasher, Four Light Systems112
Eight Light Warning (Option: B3580-03, 04, 05, 06, 07, 09, 16, & 17-000)113
Eight Light Warning System (Option: B3580-03-000)114
Eight Light Warning System (Option: B3580-03-000)115
Harness, Eight Light Warning System (Option: B3580-03-000)116
Warning Lights (Option: B3580-04-000)117
Eight Light Warning System (Option: B3580-04-001)118
Harness, Eight Light Warning System (Option: B3580-04-000)119
Eight Light Warning System (Option: B3580-05-001)120
Harness, Eight Light Warning System (Option: B3580-05-000)121
Eight Light Warning System (Option: B3580-06-000)122
Warning Lights (Option: B3580-06-000)123
Eight Light Warning System (Option: B3580-06-000)124
Harness, Eight Light Warning System (Option: B3580-06-000)125
Switch Wiring Eight Light Warning System (Option: B3580-07-000)126
Harness, Eight Light Warning System (Option: B3580-07-000)127
Harness, Weldon Flasher (Option: B3580-07-000)128
Harness, Warning Lights (Option: B3580-07-000, B3580-17-00-000)129
Warning Lights (Option: B3580-08-000)130
Eight Light Warning System (Option: B3580-08-000)131
Harness, Eight Light Warning System (Option: B3580-08-000)132
Harness, Weldon Flasher (Option: B3580-03, 04, 05, 06, 07 & 08-000)133

2000 MINOTOUR TABLE of CONTENTS

BODY SCHEMATICS	Page #
EIGHT LIGHT WARNING SYSTEM (Continued)	
Eight Light Warning System (Option: B3580-11-000)134
Warning Lights (Option: B3580-11-000)135
Eight Light Warning System (Option: B3580-11-000)136
Harness, Eight Light Warning System (Option: B3580-11-000)137
Eight Light Warning System (Option: B3580-13-000)138
Warning Lights w/Emergency Override (Option: B3580-13-000)139
Warning Lights (Option: B3580-13-000)140
Harness, Eight Light Warning System (Option: B3580-13-000)141
Harness for 358-13142
Eight Light Warning System (Option: B3580-15-000)143
Harness, Eight Light Warning System (Option: B3580-15-000)144
Warning Lights (Option: B3580-16-000)145
Eight Light Warning System (Option: B3580-16-000)146
Harness, Eight Light Warning System (Option: B3580-16-000)147
Eight Light Warning System (Option: B3580-17-000)148
Warning Lights (Option: B3580-17-000)149
Eight Light Warning System (Option: B3580-17-000)150
Harness, Eight Light Warning System (Option: B3580-17-000)151
Harness, Warning Lights (Option: B3580-17-000)152
Warning Lights (Option: B3580-20-000)153
Eight Light Warning System (Option: B3580-20-000)154
Harness, Eight Light Warning System (Option: B3580-20-000)155
Harness, Warning Lights (Option: B3580-20-000)156
Eight Light Warning System (Option: B3580-20-001)157
Eight Light Warning System (Option: B3580-20-001)158
Harness, Eight Light Warning System (Option: B3580-20-001)159
Eight Light Warning System (Maryland) (Option: B3580-21-000)160
Warning Lights (Option: B3580-21-000)161
Eight Light Warning System (Option: B3580-21-000)162
Harness, Eight Light Warning System (Option: B3580-21-000)163
Harness, Warning Lights (Option: B3580-21-000)164
Warning Lights (Option: B3580-22-000)165
Harness, Warning Lights, Switch Harness (Option: B3580-22-000)166
Eight Light Warning System (Option: B3580-23-000)167

BODY SCHEMATICS	Page #
EIGHT LIGHT WARNING SYSTEM (Continued)	
Eight Light Warning System (Option: B3580-23-000)168
Harness, Eight Light Warning System (Option: B3580-23-000)169
Eight Light Warning System (Virginia) (Option: B3580-24-000)170
Warning Lights (Option: B3580-24-000)171
Eight Light Warning System (Option: B3580-24-000)172
Harness, Eight Light Warning System (Option: B3580-24-000)173
Harness, Warning Lights (Virginia) (Option: B3580-24-000)174
Harness, Weldon Flasher Warning Lts., w/Metri-Pack and In-Line Fuse Conn. in Sw. Cab. (Virginia) ..	.175
Harness, Warning Lights (Option: B3580-24-000)176
Eight Light Warning System (Florida) (Option: B3580-26-000)177
Harness, Warning Light, Eight Light, in Switch Cabinet (Florida)178
Warning Lights (Option: B3580-26-000)179
Eight Light Warning System (Option: B3580-26-000)180
Harness, Eight Light Warning System (Option: B3580-26-000)181
Eight Light Warning System (California) (Option: B3580-27-000)182
Eight Light Warning System (Option: B3580-27-000)183
Harness, Eight Light Warning System (Option: B3580-27-000)184
Strobe Eight Light Warning System (Option: B3580-31-000)185
Harness, Strobe Eight Light Warning System (Option: B3580-31-000)186
Chart, Whelen Strobe Warning Light (Option: B3580-31-000)187
Harness, Control & Power, Whelen Strobe Warning System188
Harness, Weldon Flasher Driven Warning Light w/Metri-Pack Connector, in Switch Cabinet189
STOP SIGNS & CROSSING GATES191
Stop and Crossing Arm Schematic192
Crossing Arm Deactivating Switch193
Harness, Crossing Arm Deactivation194
Crossing Arm Deactivation Switch195
HEATER197
Heater Motor198
Harness, Heater Switch, Front199
Harness, Heater Switch, Rear200
Harness, Heater Switch, Front & Rear201
Defrost Fan (Option: B2160-08-000)202
Harness, Defrost Fan Switch203

2000 MINOTOUR TABLE of CONTENTS

BODY SCHEMATICS	Page #
AIR CONDITIONING	205
EMI Evaporator, CM2 & CM3 Condenser Air Conditioning with Chassis A/C	206
EMI Evaporator and CM-2, 3 Condenser Air Conditioning without Chassis A/C	207
Air Conditioning AC-332, 334	208
Air Conditioning AC-332, 334, GM Tie-in	209
Air Conditioning AC-442, 444	210
Air Conditioning AC-442,444, Tie-in	211
Air Conditioning AC-552 & 553	212
Air Conditioning AC-552, 553 Tie-in	213
LIFT	215
Braun Lift	216
Ricon Lift	216
Harness, Lift Switch	217
Harness, Lift Power	218
Harness, Lift Option Interface (GM)	219
Harness, Lift Option Interface (Ford)	220
DOOR	221
Lift Door	222
Lift Door (GM)	223
Lift Door (Ford)	224
Special Wiring, Back-up Lamps w/Emergency Door (New Jersey)	225
Electric Door	226
Harness, Electric Entrance Door w/Vandalock	227
Harness, Electric Door Switch	228
Harness, Electric Door Motor	229
Harness, Option Interface, Electric Door	230
Rear Door and Vandalock (Option: B5185-02-000)	231
Electric Door Motor w/Door Lights	232
Harness, Air Doors (Option: B3255-04-000)	233
VANDALOCK	235
Vandalock (Option: B5185-03-000)	236
Harness, Jumper Vandalock	237
RADIO & SPEAKERS	239
Speaker	240
Harness, 2 Speakers	241

BODY SCHEMATICS	Page #
RADIO & SPEAKERS (continued)	242
Harness, 4 Speakers	242
Harness, Speaker Interface (GM)	243
Harness, Speaker Interface (Ford)	244
Harness, Outside Speaker Switch	245
MISCELLANEOUS	247
Doran Monitor All Models	248
Light Monitor Programmable Input	249
Monitor, 16 Light, Not Remote w/Fuse Protection	250
Harness, Four Light Doran Monitoring System	251
Harness, Eight Light Doran Monitoring System	252
Jumper - Harness End Caps for E.S.I. Monitor	253
Step Tread	254
Harness, Step Tread	255
Remote Mirrors	256
Heated Mirrors, Crossing/Step Arm	257
Heated Mirror w/Light (Mirror Lite #10-139)	258
Harness, Heated Mirrors	259
Video Camera	260
Video Camera Switch	261
Harness, Video Camera Switch	262
Harness, Video Camera Power Supply	263
Cellular Phone Outlet (Option: B2592-06-000)	264
Harness, Cellular Phone Outlet	265
I.D. Sign	266
Harness, I.D. Switch Wiring	267
Touch Tape Chime System, for ADA Stop Request	268
Harness, Passenger Advisory System (Option: B2001-00-000)	269
Passenger Advisory System (Maryland) (Option: B2001-00-000)	270
Harness, Passenger Advisory System (West Virginia) (Option: B2001-01-000)	271
Passenger Advisory System (West Virginia) (Option: B2001-01-000)	272
Harness, Noise Reduction Switch	273
Child Reminder System	274
Child Safety Alarm	275
Harness, Flasher and Child Safety Alarm	276

General Recommendations - Maintenance and Repair

The following comments may be helpful in avoiding some of the most common problems experienced over the life of the bus.

1. Shorts in Cables and Harnesses:

Cables that chafe or dangle will eventually wear through the insulation and result in a short. This can also cause terminals to loosen at their terminal point. Many times a mounting clip is removed to permit access to another component or to service that particular harness/cable. ALWAYS reinstall the mounting clips to their original position.

2. Corrosion in Sockets and Terminals:

This can be a serious problem on units operating on streets and highways using salt and sodium chloride products.

The use of an anti-corrosive sealant, such as Graffo 116 to coat exposed connectors, switches, and ground terminals, is very helpful in deterring corrosion in such areas.

The use of a dielectric grease to coat the base and sockets of bulbs will deter the formation of corrosion in lamps exposed to road contaminants. It, also, reduces road shock in the bulb filaments.

3. Circuit Resistance:

Circuit resistance is usually caused by loose terminals at the point of termination, improper crimping of replacement terminals onto the wire, and unprofessional splicing of two wires together.

Practically all replacement terminals require a special tool to insure a complete, secure bond of the terminal and the wire. If the proper crimping tool is not available, the terminal should be soldered to the wire, using a rosin flux solder. Always cover the end of the terminal with a one inch piece of heat shrink tubing to prevent the entrance of water, salt, etc.

Twisting the wires together is acceptable only if the union is then soldered with rosin flux solder, and covered with a heat shrink tubing extending one inch on each side of the union. Butt splices are also common in such a repair. Again, cover the splice with heat shrink tubing.

Wiring left improperly sealed will corrode, and the corrosion can wick up the entire length of the wire. **Figure 1** is an example of the proper way to splice two wires together.

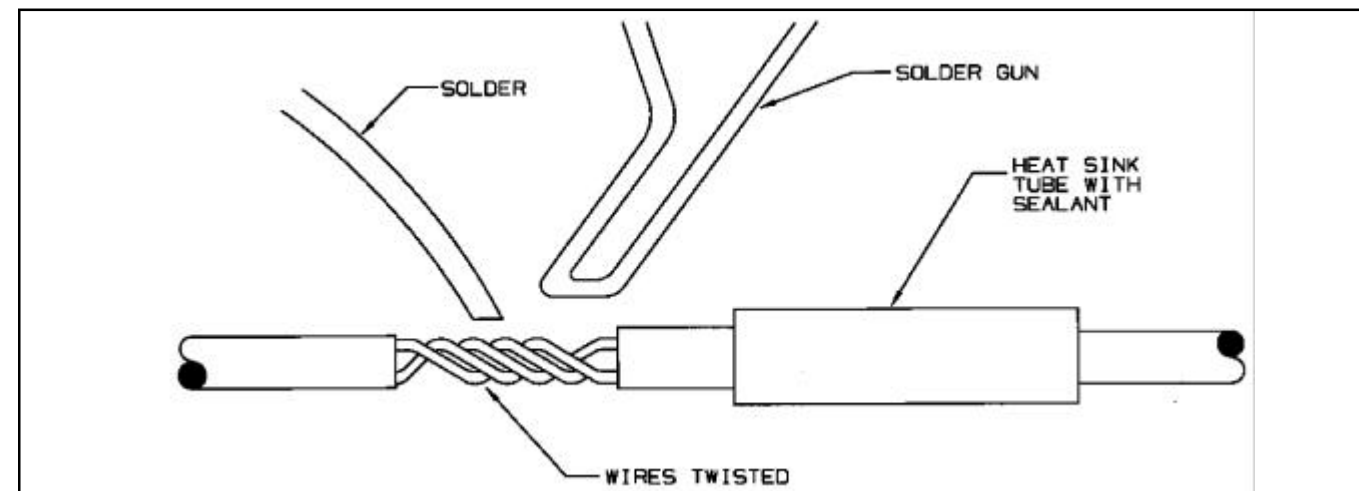


Figure 1

4. Overloaded Circuits:

Additional electrical components should not be added to existing circuits. There is room for additional circuit breakers on the side electrical panel, if additional options are added in the field.

5. Proper Diagnosis:

Thorough diagnosis is a must to eliminate repeat failures in the electrical system. Determining the cause of a particular failure not only solves the problem on the unit involved, but it may be helpful in preventing failures on other similar units in the fleet.

In the event a particular circuit breaker continues to trip, even though no short is found, it would be wise to check the circuit flow on that circuit and compare it to the rating of the circuit breaker. The circuit breaker may be tripping below its rating, or the current draw may be in excess of the breaking rating.

To check current draw on any given circuit, connect an ammeter in series between the circuit and a battery terminal. Energize the circuit and read the amps registered on the ammeter.

System Protection from Short Circuits

The electrical system has three means of protection from damage due to a short circuit in the total system:

1. Each circuit is protected by an automatic resetting circuit breaker. In some instances a circuit breaker may accommodate more than one circuit; however, in no case would the combined load be in excess of the rating of the circuit breaker if all the circuits were energized at the same time. In the event such a circuit breaker is tripping all the time it will be necessary to check out each circuit using that circuit breaker.
2. A 150 amp manual-reset Master circuit breaker is located on the front electrical panel of the MVP-EF, and on the rear electrical panel of the MVP-ER, ER-Transit and TL960. This will protect the electrical system from damage that may occur from a major short in any area not protected by a fuse or automatic circuit breaker. This circuit breaker must be manually reset in the event it trips. When the breaker trips, the small RED button will depress. To reset it, move the small black lever located on the left side of the breaker back against the body of the breaker. When the electrical system has to be taken out of service to make other repairs, the master breaker can be tripped by depressing the small RED button in the center of the breaker.

In the event the Master breaker should trip more than once, the cause MUST be determined before placing the bus back in service.

3. In the unlikely event a battery cable should short out against a chassis component, the 2 AWG engine-to-chassis ground cable will fail. This cable is attached to the engine block on the right side and is connected to the right frame rail.

In addition to the above precautions to minimize damage from an electrical fire, the insulation on all wiring is of a crosslink polyethylene composition which will not maintain combustion once the copper core of the wire cools. The same applies to convoluted tubing used to protect harnesses and tubing from chafing and the elements.

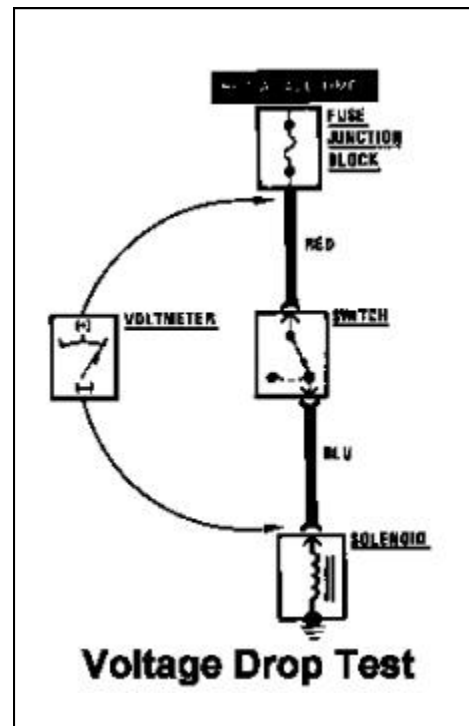


Figure 2

Testing for Voltage Drop

This test checks for voltage being lost along a wire, or through a connection or switch. See **Figure 2**.

1. Connect the positive lead of a voltmeter to the end of the wire (or to the side of the connection or switch) which is closest to the battery.
2. Connect the negative lead to the other end of the wire (or the other side of the connection or switch).
3. Operate the circuit.
4. The voltmeter will show the difference in voltage between the two points. A difference (or drop) of more than one volt indicates a problem.

Testing for Short to Ground

1. Remove the blown fuse, leaving the battery connected.
2. Connect the short finder across the fuse terminals.
3. Close all switches in series with the circuit you are troubleshooting.

4. Operate the short finder. The short finder will pulse current to the short. This creates a pulsing magnetic field surrounding the circuit wiring between the fuse junction block and the short.
5. Beginning at the fuse junction block, slowly move the short finder meter along the circuit wiring. The meter will show current pulses through sheet metal and body trim.

As long as the meter is between the fuse junction block and the short, the needle will move with each current pulse. When you have moved the meter past the point of the short, the needle will stop moving. Examine the wiring in that area for the short to ground. See **Figure 3**.

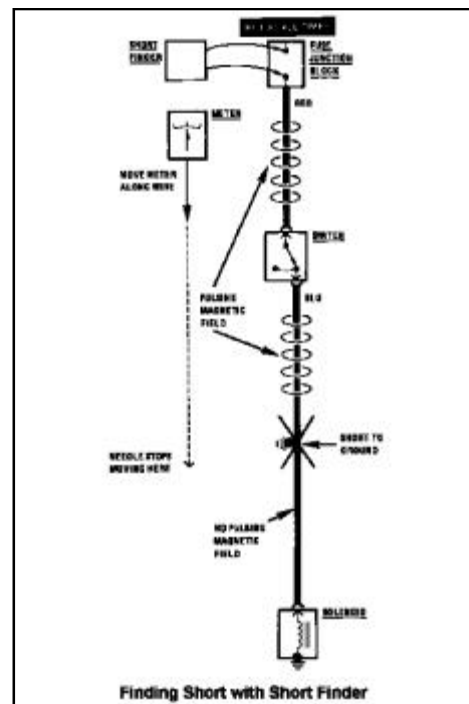


Figure 3

Checking Current Draw

1. Connected in series IN a circuit according to polarity.
2. Measures current flow.
3. Used in a closed circuit. See **Figure 4**.

Troubleshooting Tools

Electrical troubleshooting requires the use of common electrical test equipment.

Test Light/Voltmeter:

Use a test light to check for voltage. A Test Light is made up of a 12-volt light bulb with a repair of leads attached. After grounding one lead, touch the other lead to various points along the circuit where voltage should be present. When the bulb goes on, there is voltage at the point being tested.

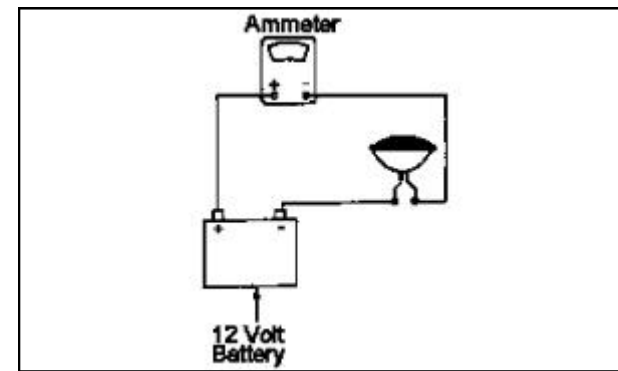


Figure 4

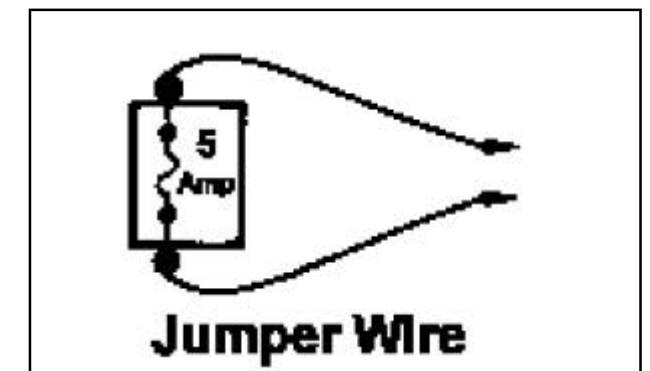


Figure 5

A voltmeter can be used instead of a test light. While a test light shows whether or not voltage is present, a voltmeter indicates how much voltage is present.

Never use a test light on circuits that contain solid state components, since damage to these components may result.

Jumper Wire:

A jumper wire is made up of an in-line fuse holder connected to a set of test leads. It should have a five ampere fuse. Use it for bypassing open circuits. Never use a jumper wire across any load (motors, etc.). This direct battery short will blow the fuse. See **Figure 5**.

Short Finder:

Short Finders are available to locate hidden shorts to ground. The short finder creates a pulsing magnetic field in the shorted circuit and shows you the location of the short through body trim or sheet metal.

Troubleshooting Tests

Test for Voltage:

1. Connect one lead of a test light to a known good ground. If you are using a voltmeter, be sure it is the voltmeter's negative lead that you have connected to ground.
2. Connect the other lead of the test light or voltmeter to a selected test point (connector or terminal).
3. If the test light glows, there is voltage present. If you are using a voltmeter, note the voltage reading. It should be within one of measured battery voltage. A loss of more than one volt indicates a problem. See **Figure 6**.

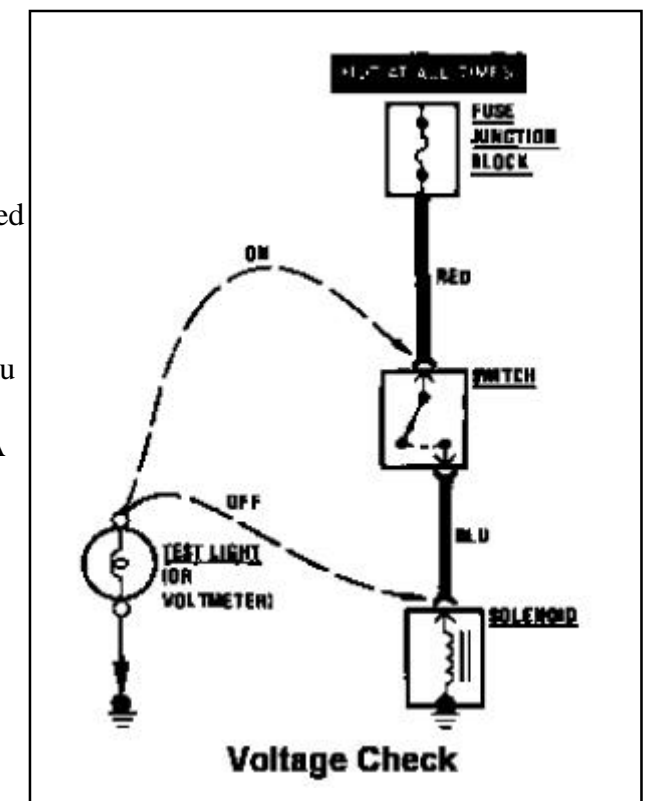


Figure 6

2000
Electrical Wiring
Manual

1408 Courtesy Road
Post Office Box 2450
High Point, NC 27261
(336) 889-4871

Thomas Built Buses of Canada
275 Tecumseh Street
Woodstock, Ontario, Canada N4S-7Z5



A Subsidiary of **FREIGHTLINER**
LLC

Freightliner Corporation is a DaimlerChrysler Company