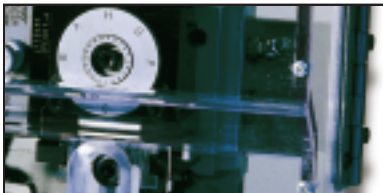


Table of Contents



DELPHI

Delphi Connection Systems
 408 Dana Street
 P.O. Box 431
 Warren, Ohio 44486
 (NYSE:DPH)

<http://delphi.com/products/connect>



Power and Signal Group
 23550 Commerce Park Road
 Beachwood, Ohio 44122
 888-722-5273

<http://www.powerandsignal.com>

Introduction	2
Product Family Selection Guide/Features	4
GT Series	
150	9
280	22
Mixed	32
Lever Locks	40
Metri-Pack Series	
150	55
280	77
480	95
630	105
800	115
Mixed	121
Junction	135
Headers	153
Micro-Pack Series	
100 In-Line	163
100 Header	170
100W Header	188
Ducon Series	
0.8	197
1.5	202
2.8	206
4.8	210
6.3	212
Mixed	216
Door Connections	220
Special Products	
Lamp Sockets	227
Splice Savers	236
Weather-Pack	242
VF Connections	248
VF Device Connections	251
DS Connections	252
Electrical Centers	
Modular	257
Traditional	272
Device Connections	282
Temperature Sensors	291
Supplemental Products	
Ring Terminals	305
Battery Terminals	308
Cable Seals and Cavity Plugs	312
56 Series Device Connections	314
Clips	317
Connector Carriers	320
Application Tooling	323
Glossary	341
Index	342

This 2003 Global Connection Systems Catalog contains information and application guidelines for a representative sample of the available Delphi Connection Systems products.

These products are subjected to extensive mechanical, electrical, and environmental testing procedures to assure superior quality and performance.

We have made every effort to ensure that the information contained in this document is accurate; however, changes are often made to update our specifications, part numbers, or introduce new product families. An application or sales engineer can help you determine which product best suits your application guidelines. Our global engineering, manufacturing network, and distribution capabilities are available to help you select the most suitable product.

We recommend that you use this catalog as a guide only. For additional part numbers and specifications contact your sales account manager or call your regional support representative at the number listed below.

Specifications subject to change without notice.

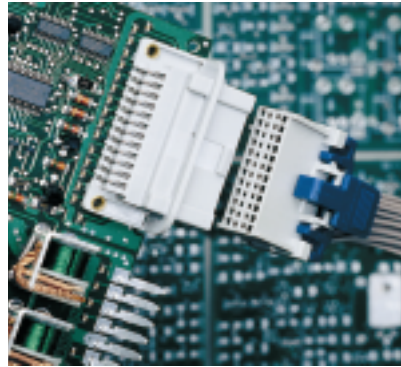


EXPERIENCE

Delphi Connection Systems is a leading supplier of electrical and electronic connection systems, building on its reputation as the world leader in the design, development and manufacture of power and signal distribution systems.

Over the past 110 years, we have continually developed innovative connection systems which continue to exceed the most strenuous performance requirements, and which provide solid value for our customers.

In partnership with our customers, we have been able to anticipate their needs for reliable and cost effective connection systems. That kind of customer focus helps us work towards *Driving Tomorrow's Technology*.



GLOBAL NETWORK

Today, we can support your needs anywhere in the world. With facilities in more than 30 countries on six continents, we employ nearly 90,000 people to support our customers with quality products and systems delivered to your door.

Our global network of comprehensive services includes design, engineering, manufacturing and logistics support. We also provide assistance in training, quality systems development, program management and ergonomic analysis. We will tailor a program to your needs and utilize any combination of these capabilities. Above all, we respect our customer's unique requirements and manage each of their programs in strict confidence.



MILESTONES

1890

Packard Electric was founded by William Doud Packard and James Ward Packard, Warren, Ohio

1898

James Ward Packard develops the first Packard automobile.

1930

Ring Terminal - enables faster installation, easier servicing and greater reliability for high current applications.

1956

56 Series - provides detachable electrical connectors between two or more circuits.

1970

Edge board printed circuit - enables integration of electronic modules to wiring systems.

1979

Weather Pack - the first use of low pressure environmental seals. Set the industry standard for sealing technology. First use of connector locks.

1981

Micro-Pack 100 - a family of electronic connection systems designed to meet the needs of low-energy; high-density applications.

1981

Acquired Kabelwerke Reinshagen GmbH, Wuppertal, Germany and its operations across Europe.

<http://delphi.com/products/connect>



GLOBAL QUALITY SYSTEM

Our customers are assured of consistently high quality and excellent service through disciplined adherence to a comprehensive quality management system. This system surpasses the requirements of internationally recognized quality standards. Throughout the world, our quality system is consistent in each of our locations.



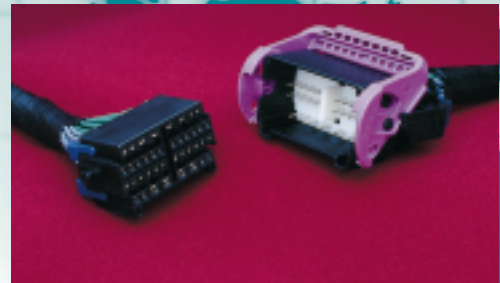
OUR STRENGTH

Nearly 90,000 people around the world employed by Delphi Packard Electric Systems provide both the technical skills and the drive for Excellence needed to be a world leader in Power and Signal

Distribution Systems, electrical and electronic systems architecture, and connection systems.

We work to develop partnerships with our customers to clearly identify and exceed their expectations. Our global teams are thorough, responsive, and customer focused.

As a leader in electrical and electronic connection systems, our key is a global communication network linking all of our employees. By leveraging our resources and expertise regionally, we bring the solutions right to your door—wherever that is.






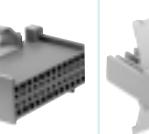



1982	1990	1993	1994	1995	1995	1997	1999
Metri-Pack - utilizes internationally standardized male blade series. With its extended product range, Metri-Pack systems offer significant design and application versatility.	Micro-Pack 100W - the environmentally sealed version of the Micro-Pack series. First 3mm sealed electronic connection.	Acquired Packard-Hughes Interconnect providing advanced technologies such as gold dot, fiber optics and smart products.	Bussed Electrical Centers - utilizes a unique routed wire technology to eliminate splices in the wiring assembly while providing a convenient location to house fuses, relays and other devices.	Automotive Components Group changed its name to Delphi Automotive Systems to establish itself as a global automotive component supplier.	Surpassed \$5 billion in total sales to 16 of the top 20 OEM's in 34 countries.	GT Connection Systems - designed with global customer input at every phase. One of the lowest connector engage forces in the industry.	Delphi Automotive Systems becomes a completely independent company. Packard Electric Systems is part of Delphi's Safety, Thermal and Electrical Sector.

<http://delphi.com/products/connect>

PRODUCT FAMILY SELECTION GUIDE

Use this as a general guide to find the Product Family to meet your product application needs. See pages 6 and 7 for specific product line technical data.

	 GT Series	 GT Lever Lock	 Metri-Pack	 Junction Systems	 Metri-Pack Headers	 Micro-Pack	 Ducon Series
Unsealed	■	■	■	■	■	■	■
Sealed	■	■	■	■	■	■	■
Max. Continuous Current (amps)							
Low	■	■	■	■	■	■	■
Medium	■	■	■	■	■		■
High			■				■
Tangleless Terminals	■	■	▲		▲	▲	
Secondary Terminal Lock or Primary Lock Reinforcement	■	■	■	■	▲	■	■
Secondary Connector Lock	■	■	▲		▲	▲	
In-Line Connections	■	■	■	■		▲	■
Device Connections	■	■	■		■	■	■
PC Board Connections					■	■	
Mechanical Assist		■	▲	■	▲	▲	▲
Conforms to ISO/SAE Performance Requirements	■ (USCAR)	■ (USCAR)	■ (USCAR)	■	■	■	■
Conforms to ISO/SAE Blade Standards	■ (USCAR)	■ (USCAR)	■ (USCAR)	■	■	■ (Pin)	■

■ Available ▲ This feature is available on some systems. <http://delphi.com/products/connect>



Lamp Sockets	Splice Savers	Weather-Pack	VF Connections	DS Connections	Electrical Centers	Temperature Sensors	56 Series
■	■		■		■	■	■
■	■	■		■		■	
■	■	■	■	■	■	■	■
	▲		▲			■	
▲	■	■	■	■	■	■	
		▲				■	
		■					
		■	■	■			■
		▲					
	■	■	■	■	■	■	
	■		■	■	■	■	■

<http://delphi.com/products/connect>

PRODUCT FAMILY FEATURES

Use this as a guide to find the specific product to meet your product application needs.

Product Family	Male Terminal Size Width X Thickness (mm)	Maximum Continuous Current* (AMPS)	Cable Range (mm ²)	Functional Temperature Range (°C) -40 to...	Low Energy Termination Resistance mΩ@20mV
GT Series					
150 GT (3.5 Centerline)	1.5 X 0.80	15	0.80-0.35 (SAE) 1.0-0.35 (DIN)	125	< 10
150 GT	1.5 X 0.64	15	1.0-0.35	125	< 10
280 GT	2.8 X 0.64	25	5.0-0.35	125	< 10
GT Lever Locks (Mxd.)	1.5 X 0.64 2.8 X 0.64	15 - 25	5.0-0.35	125	< 10
Metri-Pack(M/P)					
150.2 M/P SlimLine	1.5 X 0.80 (Mating Blade)	14	1.0-0.35	125	< 10
280.1 M/P SlimLine	2.8 X 0.80 (Mating Blade)	30	1.0-0.35	125	< 10
150 M/P	1.5 X 0.80	14	1.0-0.35	125	< 10
280 M/P	2.8 X 0.80	30	5.0-0.35	125	< 10
480 M/P	4.8 X 0.80	42	5.0-0.35	125	< 10
630 M/P	6.3 X 0.80	46	5.0-0.35	125	< 10
Maxi-Fuse 800 M/P	8.0 X 0.80	60	8.0-2.0	125	< 10
Mixed M/P	1.5, 2.8, 4.8, 6.3 X 0.80	14 - 46	5.0-0.35	125	< 10
Junctions M/P	1.5, 2.8, 4.8, 6.3 X 0.80	14 - 46	5.0-0.35	125	< 10
150 M/P Headers	1.5 X 0.80	14	1.0-0.35	125	< 10
280 M/P Headers	2.8 X 0.80	30	5.0-0.35	125	< 10
Micro-Pack					
100	1.0 DIAMETER	5	1.0-0.35	85	< 10
100W (Sealed)	1.0 DIAMETER	7.5	0.80-0.35	125	< 10
Ducon Series					
Ducon 0.8	0.8	15	1.0-0.5	135	< 10
Ducon 1.5	1.5 X 0.8	25	2.5-0.5	135	< 10
Ducon 2.8	2.8 X 0.8	33	2.5-0.5	135	< 10
Ducon 4.8	4.8 X 0.8	45	6.0-0.5	135	< 10
Ducon 6.3	6.3 X 0.8	55	6.0-1.5	135	< 10
Ducon Mixed	1.5 X 0.8 2.8 X 0.8 4.8 X 0.8	15 25 45	2.5-0.5	135	< 10
Weather Pack	Pin and Sleeve	20	3.0-0.35	125	< 10
Splice Savers					
150 GT	1.5 X 0.64	15	1.0-0.35	125	< 10
280 M/P	2.8 X 0.64	25	5.0-0.35	125	< 10
Lamp Sockets	-	4	0.80-0.35	85	-
VF Connections					
VF 2.8	2.8 X 0.80	19	2.5-0.5	125	< 10
VF 6.3	4.8 X 0.80	33	2.5-0.5	135	< 10
DS Connections					
DS 2.8	2.8 X 0.80	19	2.5-0.5	125	< 10
Temperature Sensors	1.5 X 0.80	14	1.0-0.35	125	< 10
56 Series	6.3 X 0.80	49	5.0-0.22	125	< 10

*The test data are based on single circuits in free space and were generated using a "Lumped Resistance" model.



Voltage Drop mV/amp	Centerline Spacing (mm)		Connector Material	Female Terminal Material (Plating)	Male Terminal Material (Plating)	Product Family
	Unsealed	Sealed				
						GT Series
< 10.0	–	3.5	PA6 10% GF & 20% GB PA66 HS IM	Tin Brass (Tin)	Tin Brass (Tin)	150 GT (3.5 Centerline)
< 10.0	4.0	4.5	PA6 10% GF & 20% GB	Tin Brass (Tin)	Tin Brass (Tin)	150 GT
< 4.0	5.5	6.5	PA6 10% GF & 20% GB	Tin Brass (Tin)	Tin Brass (Tin)	280 GT
See Above	See Above	See Above	PA66 HS IM	Tin Brass (Tin)	Tin Brass (Tin)	GT Lever Locks (Mxd.)
						Metri-Pack (M/P)
< 10.0	–	3.5	PA66 HS IM	Silicon Bronze (Tin)	–	150.2 M/P SlimLine
< 3.0	–	5.0	PA66 HS IM	Silicon Bronze (Tin)	–	280.1 M/P SlimLine
< 10.0	3.5	6.0	PA66 HS IM, PA6 PBT, PBT 30% GF	Silicon Bronze (Tin)	Tin Brass (Tin)	150 M/P
< 3.0	5.0	7.7	PA66 HS IM, PA6 PBT, PBT IM, PBT 30% GF	Tin Brass (Tin)	Tin Brass (Tin)	280 M/P
< 3.0	6.9	9.5	PA66 HS IM, PA6	Tin Brass (Tin)	Tin Brass (Tin over Copper)	480 M/P
< 3.0	8.5	10.8	PA66 HS IM, PA6	Tin Brass (Tin)	Tin Brass (Tin over Copper)	630 M/P
< 3.0	10.3	–	PA66 HS IM, PBT 30% GF	Tin Brass (Silver Nickel)	Tin Brass (Silver Nickel)	Maxi-Fuse 800 M/P
See Above	See Above	See Above	See Above	See Above	See Above	Mixed M/P
See Above	See Above	See Above	See Above	See Above	See Above	Junctions M/P
< 10.0	–	4.0	PBT 30% GF, PET 30% GF, PA66 HS IM	Silicon Bronze (Tin)	Brass (Tin)	150 M/P Headers
< 3.0	6.9	–	PA66 HS IM, PBT 30% GF	Tin Brass (Tin)	Copper Alloy (Tin)	280 M/P Headers
						Micro-Pack
< 10.0	3.0	–	PBT, PA66 HS IM	Copper Nickel Alloy (Tin)	Tin Brass (Tin)	100
< 10.0	–	3.5	PBT, PA66 HS IM	Phosphor Bronze (Gold)	Brass Wire (Gold)	100W (Sealed)
						Ducon Series
< 4.0	3.0	–	PA6, PA66	Copper Nickel Silicon Alloy (Tin)	Copper Nickel Silicon Alloy (Tin)	Ducon 0.8
< 4.0	4.5	–	PA6	Copper Nickel Silicon Alloy (Tin)	Copper Nickel Silicon Alloy (Tin)	Ducon 1.5
< 4.0	–	6.0	PA6	Copper Nickel Silicon Alloy (Tin)	Copper Nickel Silicon Alloy (Tin)	Ducon 2.8
< 4.0	6.8	–	PA6	Copper Nickel Silicon Alloy (Tin)	Copper Nickel Silicon Alloy (Tin)	Ducon 4.8
< 4.0	–	10.8	PA66	Copper Nickel Silicon Alloy (Tin)	Copper Nickel Silicon Alloy (Tin)	Ducon 6.3
< 4.0	–	6.0, 10.0	PA66	Copper Nickel Silicon Alloy (Tin)	Copper Nickel Silicon Alloy (Tin)	Ducon Mixed
< 3.0	–	7.7	PA6	Tin Brass (Tin)	Tin Brass (Tin)	Weather Pack
						Splice Savers
< 10.0	3.4	4.5	PA66 HS IM	Tin Brass (Tin)	Tin Brass (Tin)	150 GT
< 5.0	5.0/6.3	–	PA66 HS IM	Tin Brass (Tin)	Tin Brass (Tin)	280 M/P
< 10.0	–	–	PA66 HS IM	Tin Brass (Tin)	–	Lamp Sockets
						VF Connections
< 4.0	5.0	–	PA66	Tin Brass (Bronze)	Tin Brass (Bronze)	VF 2.8
< 4.0	8.0	–	PA66 15% GF	Tin Brass (Bronze)	Tin Brass (Bronze)	VF 6.3
						DS Connections
< 4.0	–	5.0	PA66 30% GF	Tin Brass (Bronze)	Tin Brass (Bronze)	DS 2.8
< 10.0	3.5	3.5	PBT 30% GF, PA6 10% GF & 20% GB, PEI 30% GF, PA66 33% GF, PA6, PA66 HS IM	Tin Brass (Tin)	Annealed StainlessSteel (Nickel)	Temperature Sensors
< 3.0	10.2	–	PA66 HS IM, PP	Brass (Tin)	Brass (Tin)	56 Series

Materials are standard for the designated product line, optional materials may be available.

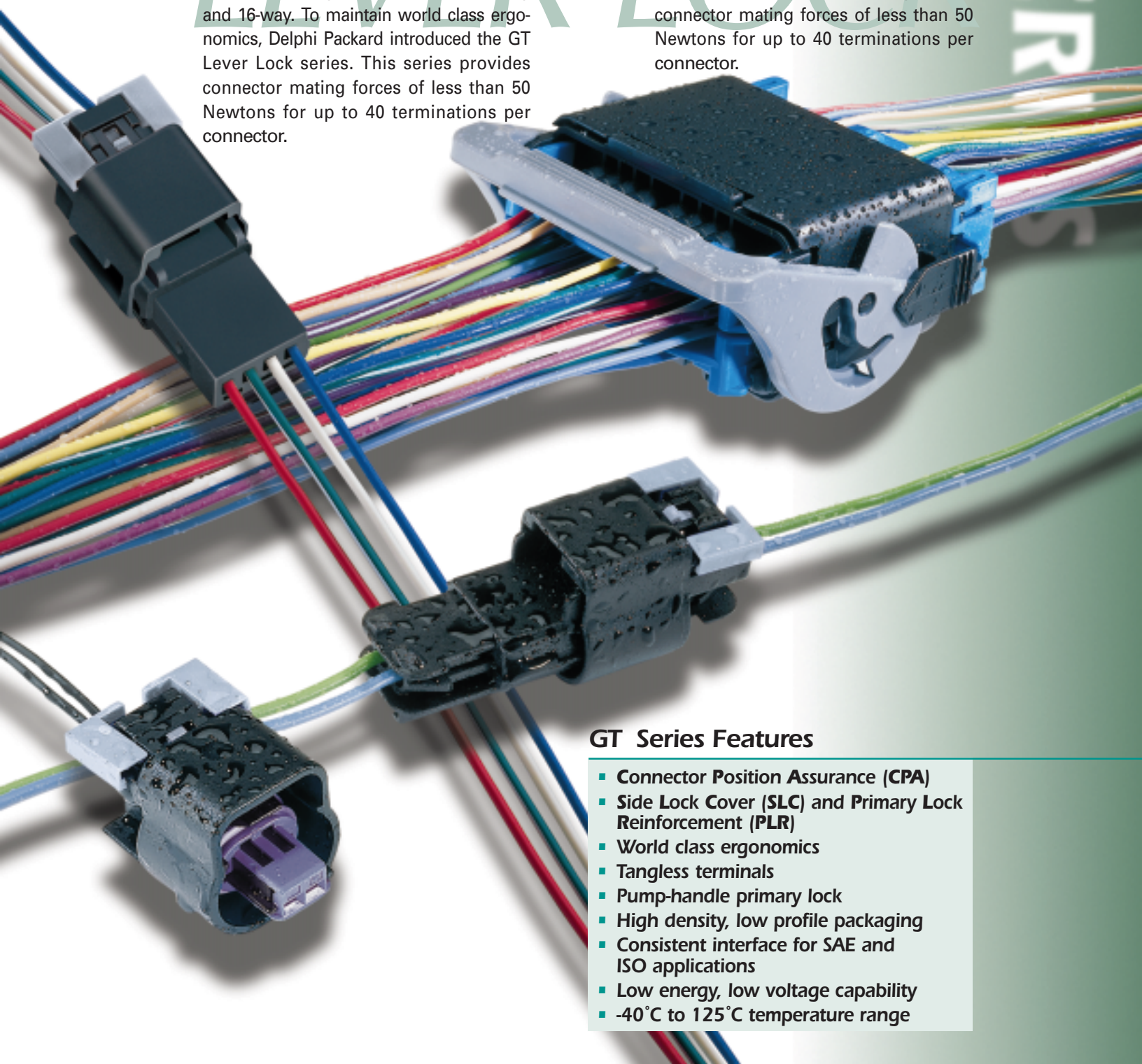
GT Series 150, 280 & Lever Lock



The GT Connection System™ features tangless terminals and offers one of the lowest connector engage forces in the industry. Designed for both 1.50 and 2.80mm blade width applications, GT achieves superior electrical performance that meets or exceeds all known customer requirements, including USCAR standards. The unsealed systems are available in cavity variations between 2-way and 16-way. To maintain world class ergonomics, Delphi Packard introduced the GT Lever Lock series. This series provides connector mating forces of less than 50 Newtons for up to 40 terminations per connector.



The sealed GT Connection System™ utilizes a new two-rib cable seal. This seal is smaller and uses less material than traditional three rib seal designs without impacting performance. The sealed systems are available in cavity variations between 2-way and 16-way. To maintain world class ergonomics, Delphi Packard introduced the sealed GT Lever Lock series. This series provides connector mating forces of less than 50 Newtons for up to 40 terminations per connector.

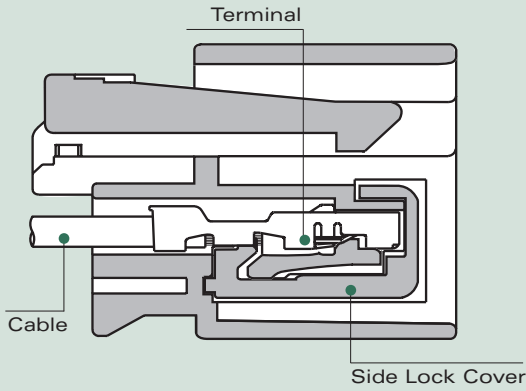


GT Series Features

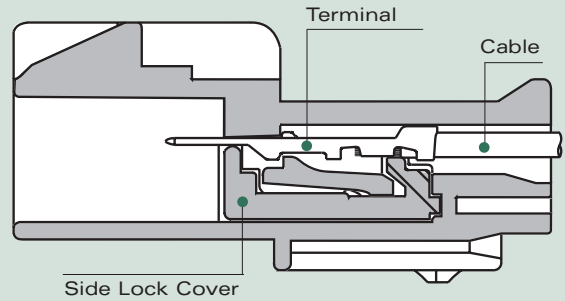
- Connector Position Assurance (CPA)
- Side Lock Cover (SLC) and Primary Lock Reinforcement (PLR)
- World class ergonomics
- Tangless terminals
- Pump-handle primary lock
- High density, low profile packaging
- Consistent interface for SAE and ISO applications
- Low energy, low voltage capability
- -40°C to 125°C temperature range



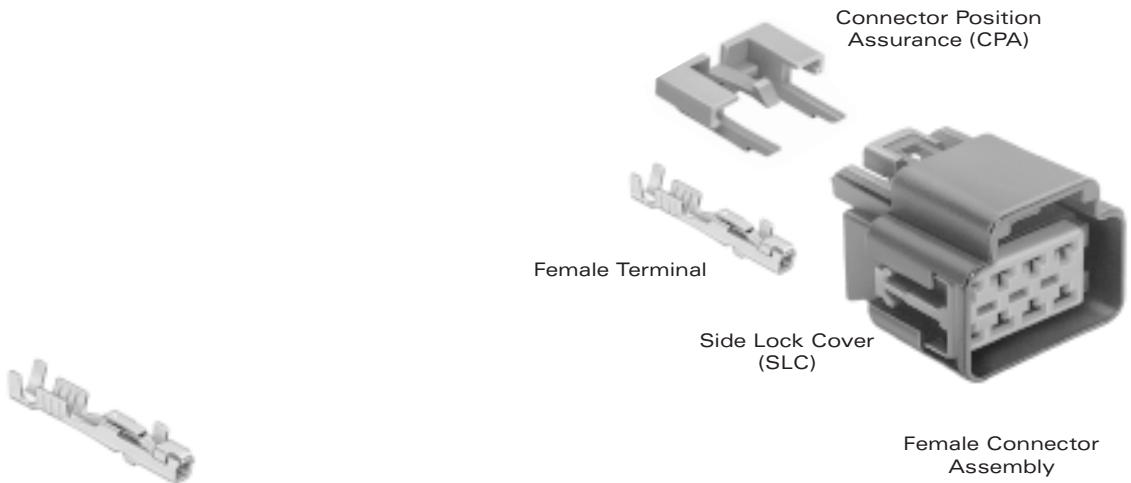
Cross Sectional View



Female Connector Assembly



Male Connector Assembly



GT 150 FEMALE TERMINALS UNSEALED

Part #	Cable Range (mm ²)	Material	Plating
12191811	0.50-0.35	Tin Brass	Tin
12191812	1.00-0.75	Tin Brass	Tin

GT 150 FEMALE CONNECTOR ASSEMBLIES UNSEALED

# Cavities	Connector	Color	Material
2	15332129	Black	PA6 10% GF & 20% GB
3	15332132	Black	PA6 10% GF & 20% GB
4	15332135	Black	PA6 10% GF & 20% GB
5	15332138	Black	PA6 10% GF & 20% GB
6	15332141	Black	PA6 10% GF & 20% GB
8	15332145	Black	PA6 10% GF & 20% GB
10	15332153	Black	PA6 10% GF & 20% GB
12	15332161	Black	PA6 10% GF & 20% GB
14	15332169	Black	PA6 10% GF & 20% GB
16	15332177	Black	PA6 10% GF & 20% GB

Side Lock Covers (SLC) are included in the Connector Assemblies listed in this section.

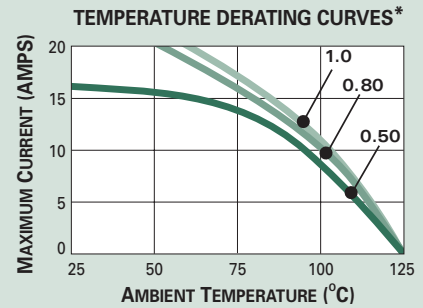
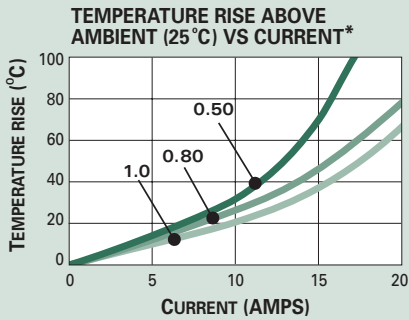
<http://delphi.com/products/connect>



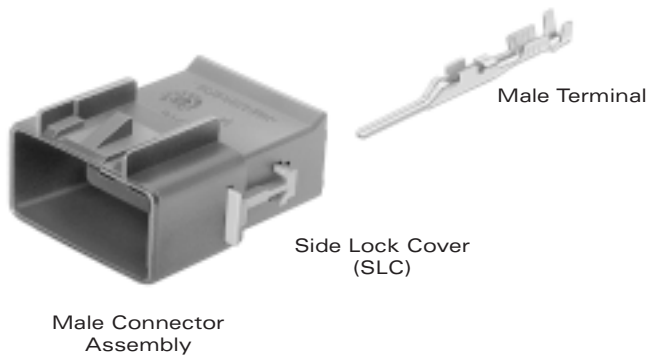
Unsealed System Application Information

CABLE RANGE (mm²): 0.35-1.0
CURRENT RANGE (AMPS): 0-15
TEMP RANGE °C: -40 to 125
RESISTANCE: <10mΩ@20mV
VOLTAGE DROP: <10.0mV/amp
CENTERLINE SPACING (mm): 4.0
BLADE WIDTH (mm): 1.5

GT 150 SERIES TERMINALS-Tin Plated



*The test data are based on single circuits in free space and were generated using a "Lumped Resistance" model. This model does not account for all of the variables that would be present in an actual application. For actual product performance, contact your regional support representative at the number listed below.



GT 150 MALE CONNECTOR ASSEMBLIES UNSEALED

# Cavities	Connector	Color	Material
2	15332130	Black	PA6 10% GF & 20% GB
3	15332133	Black	PA6 10% GF & 20% GB
4	15332136	Black	PA6 10% GF & 20% GB
5	15332139	Black	PA6 10% GF & 20% GB
6	15332142	Black	PA6 10% GF & 20% GB
8	15332150	Black	PA6 10% GF & 20% GB
10	15332158	Black	PA6 10% GF & 20% GB
12	15332166	Black	PA6 10% GF & 20% GB
14	15332174	Black	PA6 10% GF & 20% GB
16	15332182	Black	PA6 10% GF & 20% GB

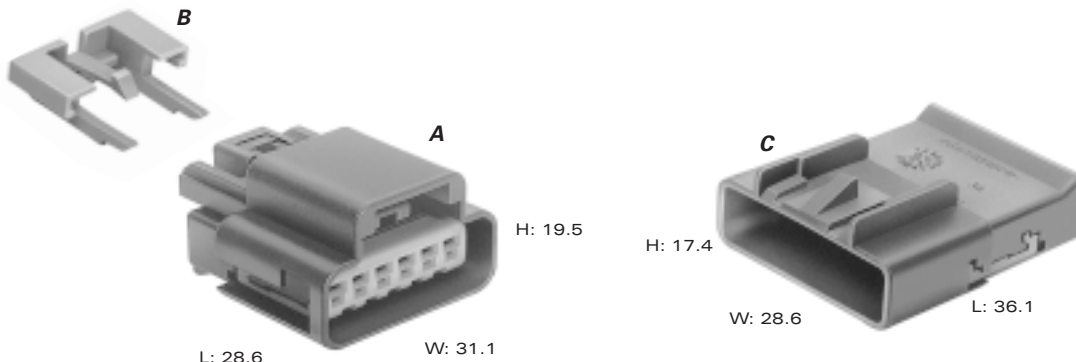
Side Lock Covers (SLC) are included in the Connector Assemblies listed in this section.

GT 150 MALE TERMINALS UNSEALED

Part #	Cable Range (mm ²)	Material	Plating
15304701	0.50-0.35	Tin Brass	Tin
15304702	1.00-0.75	Tin Brass	Tin

SECTION NOTES:

- Contact your regional support representative at the number listed below.
- Due to rigid tolerances of connector cavities, it is critical to meet all crimp dimensions as specified.



Total Mated Length: 52.1mm

A PART NO: 15332129
 DESCRIPTION: Connector Assembly 2F
 SIZE: 28.6L x 19.5H x 15.1W
 COLOR: Black
 MATERIAL: PA6 10% GF & 20% GB
 TERMINALS: See Page 10

C PART NO: 15332130
 DESCRIPTION: Connector Assembly 2M
 SIZE: 36.1L x 17.4H x 12.6W
 COLOR: Black
 MATERIAL: PA6 10% GF & 20% GB
 TERMINALS: See Page 11

PART NO: 15332132
 DESCRIPTION: Connector Assembly 3F
 SIZE: 28.6L x 19.5H x 19.1W
 COLOR: Black
 MATERIAL: PA6 10% GF & 20% GB
 TERMINALS: See Page 10

PART NO: 15332133
 DESCRIPTION: Connector Assembly 3M
 SIZE: 36.1L x 17.4H x 16.6W
 COLOR: Black
 MATERIAL: PA6 10% GF & 20% GB
 TERMINALS: See Page 11

PART NO: 15332135
 DESCRIPTION: Connector Assembly 4F
 SIZE: 28.6L x 19.5H x 23.1W
 COLOR: Black
 MATERIAL: PA6 10% GF & 20% GB
 TERMINALS: See Page 10

PART NO: 15332136
 DESCRIPTION: Connector Assembly 4M
 SIZE: 36.1L x 17.4H x 20.6W
 COLOR: Black
 MATERIAL: PA6 10% GF & 20% GB
 TERMINALS: See Page 11

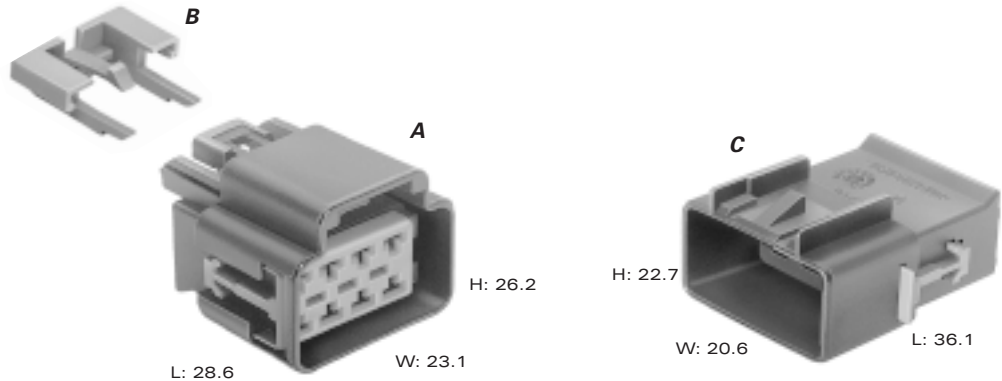
PART NO: 15332138
 DESCRIPTION: Connector Assembly 5F
 SIZE: 28.6L x 19.5H x 27.1W
 COLOR: Black
 MATERIAL: PA6 10% GF & 20% GB
 TERMINALS: See Page 10

PART NO: 15332139
 DESCRIPTION: Connector Assembly 5M
 SIZE: 36.1L x 17.4H x 24.6W
 COLOR: Black
 MATERIAL: PA6 10% GF & 20% GB
 TERMINALS: See Page 11

PART NO: 15332141
 DESCRIPTION: Connector Assembly 6F
 SIZE: 28.6L x 19.5H x 31.1W
 COLOR: Black
 MATERIAL: PA6 10% GF & 20% GB
 TERMINALS: See Page 10

PART NO: 15332142
 DESCRIPTION: Connector Assembly 6M
 SIZE: 36.1L x 17.4H x 28.6W
 COLOR: Black
 MATERIAL: PA6 10% GF & 20% GB
 TERMINALS: See Page 11

B PART NO: 15317832
 DESCRIPTION: CPA
 COLOR: Gray
 MATERIAL: PA6 10% GF & 20% GB



Total Mated Length: 52.1mm

A PART NO: 15332145
 DESCRIPTION: Connector Assembly 8F
 SIZE: 28.6L x 26.2H x 23.1W
 COLOR: Black
 MATERIAL: PA6 10% GF & 20% GB
 TERMINALS: See Page 10

PART NO: 15332153
 DESCRIPTION: Connector Assembly 10F
 SIZE: 28.6L x 26.2H x 27.1W
 COLOR: Black
 MATERIAL: PA6 10% GF & 20% GB
 TERMINALS: See Page 10

PART NO: 15332161
 DESCRIPTION: Connector Assembly 12F
 SIZE: 28.6L x 26.2H x 31.1W
 COLOR: Black
 MATERIAL: PA6 10% GF & 20% GB
 TERMINALS: See Page 10

PART NO: 15332169
 DESCRIPTION: Connector Assembly 14F
 SIZE: 28.6L x 26.2H x 35.1W
 COLOR: Black
 MATERIAL: PA6 10% GF & 20% GB
 TERMINALS: See Page 10

PART NO: 15332177
 DESCRIPTION: Connector Assembly 16F
 SIZE: 28.6L x 26.2H x 39.1W
 COLOR: Black
 MATERIAL: PA6 10% GF & 20% GB
 TERMINALS: See Page 10

B PART NO: 15317832
 DESCRIPTION: CPA
 COLOR: Gray
 MATERIAL: PA6 10% GF & 20% GB

C PART NO: 15332150
 DESCRIPTION: Connector Assembly 8M
 SIZE: 36.1L x 22.7H x 20.6W
 COLOR: Black
 MATERIAL: PA6 10% GF & 20% GB
 TERMINALS: See Page 11

PART NO: 15332158
 DESCRIPTION: Connector Assembly 10M
 SIZE: 36.1L x 22.7H x 24.6W
 COLOR: Black
 MATERIAL: PA6 10% GF & 20% GB
 TERMINALS: See Page 11

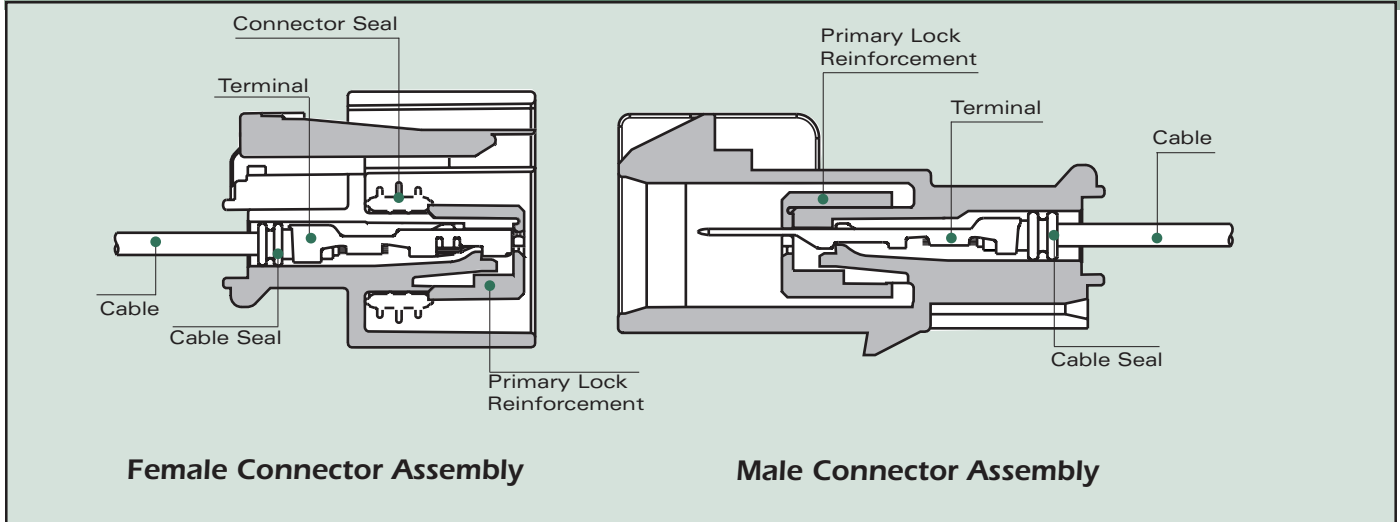
PART NO: 15332166
 DESCRIPTION: Connector Assembly 12M
 SIZE: 36.1L x 22.7H x 28.6W
 COLOR: Black
 MATERIAL: PA6 10% GF & 20% GB
 TERMINALS: See Page 11

PART NO: 15332174
 DESCRIPTION: Connector Assembly 14M
 SIZE: 36.1L x 22.7H x 32.6W
 COLOR: Black
 MATERIAL: PA6 10% GF & 20% GB
 TERMINALS: See Page 11

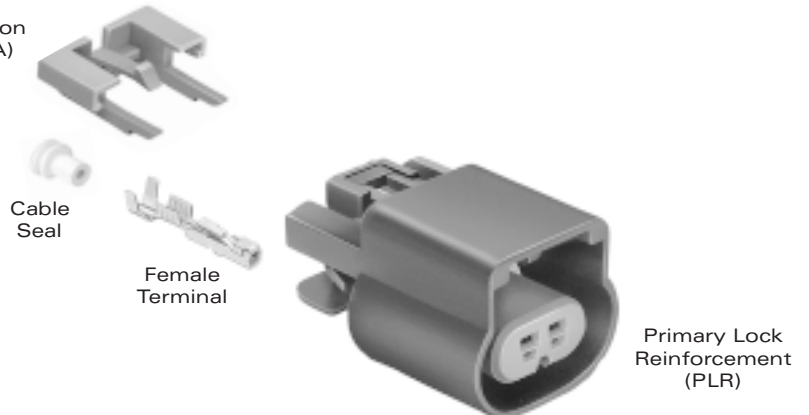
PART NO: 15332182
 DESCRIPTION: Connector Assembly 16M
 SIZE: 36.1L x 22.7H x 36.6W
 COLOR: Black
 MATERIAL: PA6 10% GF & 20% GB
 TERMINALS: See Page 11



Cross Sectional View



Connector Position Assurance (CPA)



GT 150 FEMALE TERMINALS SEALED

Part #	Cable Range (mm ²)	Material	Plating
12191818	0.50-0.35	Tin Brass	Tin
12191819	1.00-0.75	Tin Brass	Tin



GT 150 CABLE SEALS

Reel Part #	Loose Part #	Cable Diameter	Material	Color
12191152	15366021	1.20-1.85	Silicone	White
12191153	15366060	1.86-2.25	Silicone	Blue

GT 150 FEMALE CONNECTOR ASSEMBLIES SEALED

# Cavities	Connector	Color	Material
2	15326801	Black	PA6 10% GF & 20% GB
3	15326808	Black	PA6 10% GF & 20% GB
4	15326815	Black	PA6 10% GF & 20% GB
5	15326822	Black	PA6 10% GF & 20% GB
6	15326829	Black	PA6 10% GF & 20% GB
8	15326835	Black	PA6 10% GF & 20% GB
10	15326842	Black	PA6 10% GF & 20% GB
12	15326849	Black	PA6 10% GF & 20% GB
14	15326856	Black	PA6 10% GF & 20% GB
16	15326863	Black	PA6 10% GF & 20% GB

Primary Lock Reinforcement (PLR) and Connector Seals are included in the Connector Assemblies listed in this section.

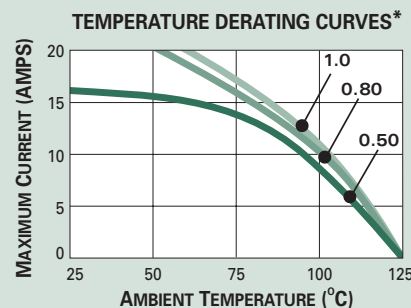
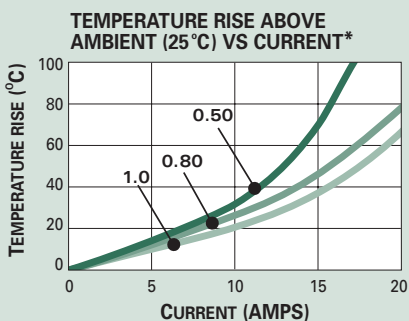
<http://delphi.com/products/connect>



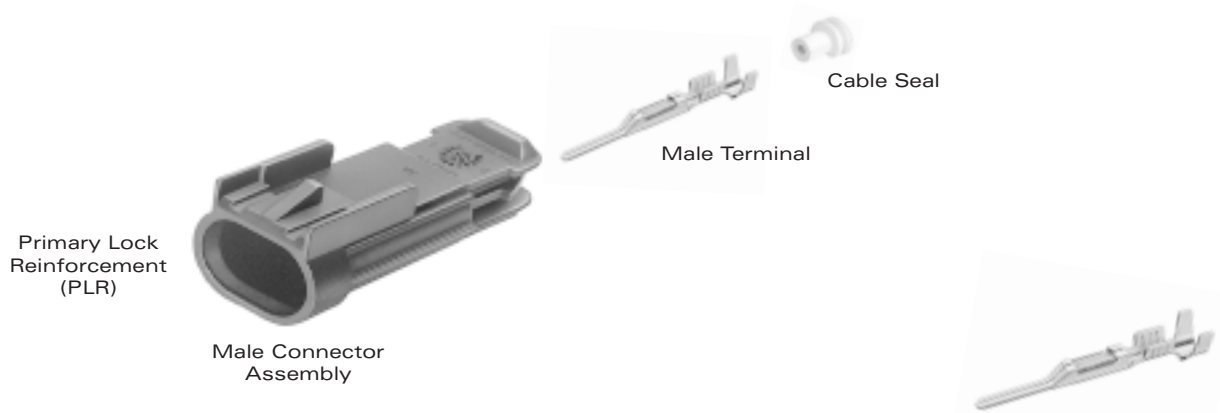
Sealed System Application Information

CABLE RANGE (mm²): 0.35-1.0
CURRENT RANGE (AMPS): 0-15
TEMP RANGE °C: -40 to 125
RESISTANCE: <10mΩ@20mV
VOLTAGE DROP: <10.0mV/amp
CENTERLINE SPACING (mm):..... 4.5
BLADE WIDTH (mm):..... 1.5

GT 150 SERIES TERMINALS-Tin Plated



*The test data are based on single circuits in free space and were generated using a "Lumped Resistance" model. This model does not account for all of the variables that would be present in an actual application. For actual product performance, contact your regional support representative at the number listed below.



GT 150 MALE CONNECTOR ASSEMBLIES SEALED			
# Cavities	Connector	Color	Material
2	15326806	Black	PA6 10% GF & 20% GB
3	15326813	Black	PA6 10% GF & 20% GB
4	15326820	Black	PA6 10% GF & 20% GB
5	15326827	Black	PA6 10% GF & 20% GB
6	15326833	Black	PA6 10% GF & 20% GB
8	15326840	Black	PA6 10% GF & 20% GB
10	15326847	Black	PA6 10% GF & 20% GB
12	15326854	Black	PA6 10% GF & 20% GB
14	15326861	Black	PA6 10% GF & 20% GB
16	15326868	Black	PA6 10% GF & 20% GB

Primary Lock Reinforcement (PLR) is included in the Connector Assemblies listed in this section.

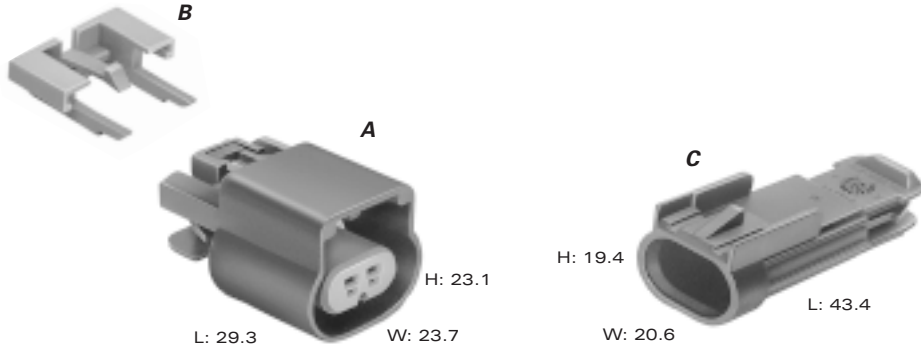
GT 150 MALE TERMINALS SEALED			
Part #	Cable Range (mm ²)	Material	Plating
15326268	0.50-0.35	Tin Brass	Tin
15326269	1.00-0.75	Tin Brass	Tin

GT 150 CAVITY PLUG*			
Part #	Cavity Diameter	Material	Color
15305171	4.0mm	Silicone	Green

*Cavity plugs seal unused female and male cavities.

SECTION NOTES:
 Contact your regional support representative at the number listed below.
 • Due to rigid tolerances of connector cavities, it is critical to meet all crimp dimensions as specified.

<http://delphi.com/products/connect>



Total Mated Length: 56.7mm

A PART NO: 15326801
 DESCRIPTION: Connector Assembly 2F
 SIZE: 29.3L x 23.1H x 23.7W
 COLOR: Black
 MATERIAL: PA6 10% GF & 20% GB
 TERMINALS: See Page 14
 SEALS/PLUGS: See Page 14, 15

C PART NO: 15326806
 DESCRIPTION: Connector Assembly 2M
 SIZE: 43.4L x 19.4H x 20.6W
 COLOR: Black
 MATERIAL: PA6 10% GF & 20% GB
 TERMINALS: See Page 15
 SEALS/PLUGS: See Page 14, 15

PART NO: 15326808
 DESCRIPTION: Connector Assembly 3F
 SIZE: 29.3L x 23.1H x 28.2W
 COLOR: Black
 MATERIAL: PA6 10% GF & 20% GB
 TERMINALS: See Page 14
 SEALS/PLUGS: See Page 14, 15

PART NO: 15326813
 DESCRIPTION: Connector Assembly 3M
 SIZE: 43.4L x 19.4H x 25.1W
 COLOR: Black
 MATERIAL: PA6 10% GF & 20% GB
 TERMINALS: See Page 15
 SEALS/PLUGS: See Page 14, 15

PART NO: 15326815
 DESCRIPTION: Connector Assembly 4F
 SIZE: 29.3L x 23.1H x 32.7W
 COLOR: Black
 MATERIAL: PA6 10% GF & 20% GB
 TERMINALS: See Page 14
 SEALS/PLUGS: See Page 14, 15

PART NO: 15326820
 DESCRIPTION: Connector Assembly 4M
 SIZE: 43.4L x 19.4H x 29.6W
 COLOR: Black
 MATERIAL: PA6 10% GF & 20% GB
 TERMINALS: See Page 15
 SEALS/PLUGS: See Page 14, 15

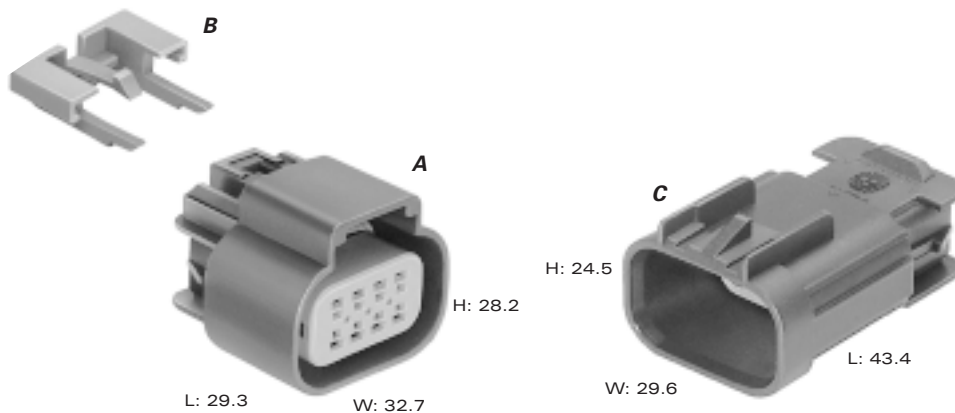
PART NO: 15326822
 DESCRIPTION: Connector Assembly 5F
 SIZE: 29.3L x 23.1H x 37.2W
 COLOR: Black
 MATERIAL: PA6 10% GF & 20% GB
 TERMINALS: See Page 14
 SEALS/PLUGS: See Page 14, 15

PART NO: 15326827
 DESCRIPTION: Connector Assembly 5M
 SIZE: 43.4L x 19.4H x 34.1W
 COLOR: Black
 MATERIAL: PA6 10% GF & 20% GB
 TERMINALS: See Page 15
 SEALS/PLUGS: See Page 14, 15

PART NO: 15326829
 DESCRIPTION: Connector Assembly 6F
 SIZE: 29.3L x 23.1H x 41.7W
 COLOR: Black
 MATERIAL: PA6 10% GF & 20% GB
 TERMINALS: See Page 14
 SEALS/PLUGS: See Page 14, 15

PART NO: 15326833
 DESCRIPTION: Connector Assembly 6M
 SIZE: 43.4L x 19.4H x 38.6W
 COLOR: Black
 MATERIAL: PA6 10% GF & 20% GB
 TERMINALS: See Page 15
 SEALS/PLUGS: See Page 14, 15

B PART NO: 15317832
 DESCRIPTION: CPA
 COLOR: Gray
 MATERIAL: PA6 10% GF & 20% GB



Total Mated Length: 56.7mm

A PART NO: 15326835
 DESCRIPTION: Connector Assembly 8F
 SIZE: 29.3L x 28.2H x 32.7W
 COLOR: Black
 MATERIAL: PA6 10% GF & 20% GB
 TERMINALS: See Page 14
 SEALS/PLUGS: See Page 14, 15

PART NO: 15326842
 DESCRIPTION: Connector Assembly 10F
 SIZE: 29.3L x 28.2H x 37.2W
 COLOR: Black
 MATERIAL: PA6 10% GF & 20% GB
 TERMINALS: See Page 14
 SEALS/PLUGS: See Page 14, 15

PART NO: 15326849
 DESCRIPTION: Connector Assembly 12F
 SIZE: 29.3L x 28.2H x 41.7W
 COLOR: Black
 MATERIAL: PA6 10% GF & 20% GB
 TERMINALS: See Page 14
 SEALS/PLUGS: See Page 14, 15

PART NO: 15326856
 DESCRIPTION: Connector Assembly 14F
 SIZE: 29.3L x 28.2H x 46.2W
 COLOR: Black
 MATERIAL: PA6 10% GF & 20% GB
 TERMINALS: See Page 14
 SEALS/PLUGS: See Page 14, 15

PART NO: 15326863
 DESCRIPTION: Connector Assembly 16F
 SIZE: 29.3L x 28.2H x 50.7W
 COLOR: Black
 MATERIAL: PA6 10% GF & 20% GB
 TERMINALS: See Page 14
 SEALS/PLUGS: See Page 14, 15

B PART NO: 15317832
 DESCRIPTION: CPA
 COLOR: Gray
 MATERIAL: PA6 10% GF & 20% GB

C PART NO: 15326840
 DESCRIPTION: Connector Assembly 8M
 SIZE: 43.4L x 24.5H x 29.6W
 COLOR: Black
 MATERIAL: PA6 10% GF & 20% GB
 TERMINALS: See Page 15
 SEALS/PLUGS: See Page 14, 15

PART NO: 15326847
 DESCRIPTION: Connector Assembly 10M
 SIZE: 43.4L x 24.5H x 34.1W
 COLOR: Black
 MATERIAL: PA6 10% GF & 20% GB
 TERMINALS: See Page 15
 SEALS/PLUGS: See Page 14, 15

PART NO: 15326854
 DESCRIPTION: Connector Assembly 12M
 SIZE: 43.4L x 24.5H x 38.6W
 COLOR: Black
 MATERIAL: PA6 10% GF & 20% GB
 TERMINALS: See Page 15
 SEALS/PLUGS: See Page 14, 15

PART NO: 15326861
 DESCRIPTION: Connector Assembly 14M
 SIZE: 43.4L x 24.5H x 43.1W
 COLOR: Black
 MATERIAL: PA6 10% GF & 20% GB
 TERMINALS: See Page 15
 SEALS/PLUGS: See Page 14, 15

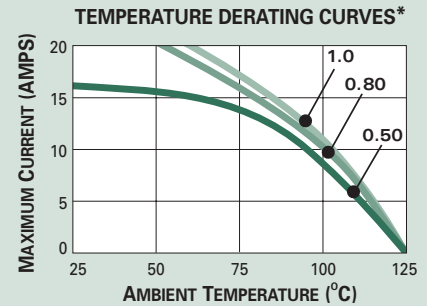
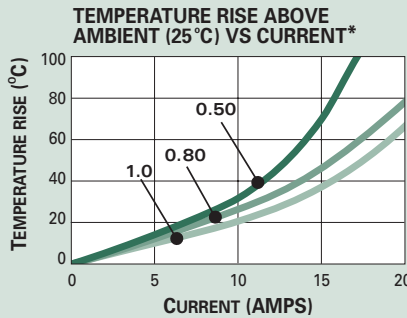
PART NO: 15326868
 DESCRIPTION: Connector Assembly 16M
 SIZE: 43.4L x 24.5H x 47.6W
 COLOR: Black
 MATERIAL: PA6 10% GF & 20% GB
 TERMINALS: See Page 15
 SEALS/PLUGS: See Page 14, 15



Sealed System Application Information

CABLE RANGE (mm²): 0.35-1.0
 CURRENT RANGE (AMPS): 0-15
 TEMP RANGE °C: -40 to 125
 RESISTANCE: <10mΩ@20mV
 VOLTAGE DROP: <10.0mV/amp
 CENTERLINE SPACING (mm): 3.5
 BLADE WIDTH (mm): 1.5

GT 150 SERIES TERMINALS-Tin Plated



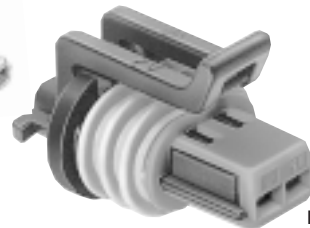
*The test data are based on single circuits in free space and were generated using a "Lumped Resistance" model. This model does not account for all of the variables that would be present in an actual application. For actual product performance, contact your regional support representative at the number listed below.



Cable Seal



Female Terminal



Unshrouded Female Connector Assembly

Mushroom Indexed Primary Lock Reinforcement (PLR)



GT 150 FEMALE TERMINALS SEALED

Part #	Cable Range (mm ²)	Material	Plating
15326266	0.50-0.35	Tin Brass	Tin
15305350	1.00*-0.75	Tin Brass	Tin

*Accommodates 1.00 European Ultra Thin Wall Cable.
 Accomdates 0.80 SAE Ultra Thin Wall Cable

GT 150 FEMALE UNSHROUDED CONNECTOR ASSEMBLIES SEALED

# Cavities	Conn. Asm.	Indexing	Color	Material
2	15336024	Mushroom	Black	PA6 10% GF & 20% GB
2 TBI	15336027	Mushroom	Black	PA6 10% GF & 20% GB
3	15336029	Mushroom	Black	PA6 10% GF & 20% GB
4	15354716	Mushroom	Black	PA6 10% GF & 20% GB

GT 150 CABLE SEALS

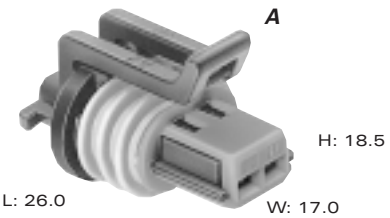
Reel Part #	Loose Part #	Cable Diameter	Material	Color
12191155	15366022	1.47-1.85	Silicone	Green
—	15305351	1.70-2.10	Silicone	Yellow

GT 150 CAVITY PLUG*

Part #	Material	Color
15305169	Silicone	Orange

*Cavity plugs seal unused female and male cavities.

<http://delphi.com/products/connect>



Unshrouded Female Mushroom Indexed

A PART NO: 15336024
 DESCRIPTION: Connector Assembly 2F
 SIZE: 26.0L x 18.5H x 17.0W
 COLOR: Black
 MATERIAL: PA6 10% GF & 20% GB
 TERMINALS: See Page 18
 SEALS/PLUGS: See Page 18

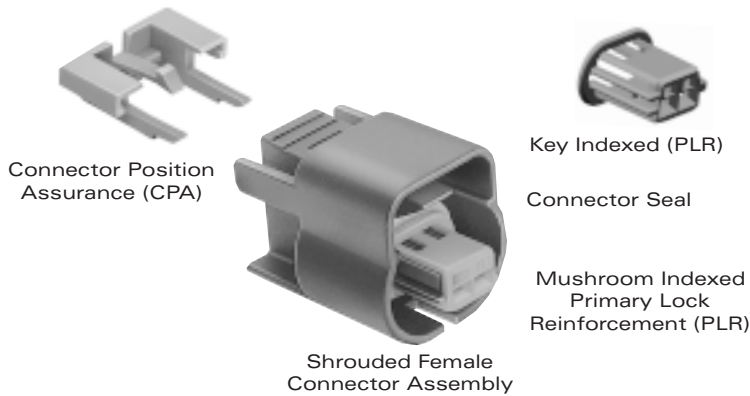
PART NO: 15336027
 DESCRIPTION: TBI Connector Assembly 2F
 SIZE: 26.0L x 11.0H x 20.5W
 COLOR: Black
 MATERIAL: PA6 10% GF & 20% GB
 TERMINALS: See Page 18
 SEALS/PLUGS: See Page 18
 NOTE: Mates to Throttle Body Injector.

PART NO: 15336029
 DESCRIPTION: Connector Assembly 3F
 SIZE: 26.0L x 18.5H x 20.5W
 COLOR: Black
 MATERIAL: PA6 10% GF & 20% GB
 TERMINALS: See Page 18
 SEALS/PLUGS: See Page 18

PART NO: 15354716
 DESCRIPTION: Connector Assembly 4F
 SIZE: 26.0L x 18.5H x 24.0W
 COLOR: Black
 MATERIAL: PA6 10% GF & 20% GB
 TERMINALS: See Page 18
 SEALS/PLUGS: See Page 18

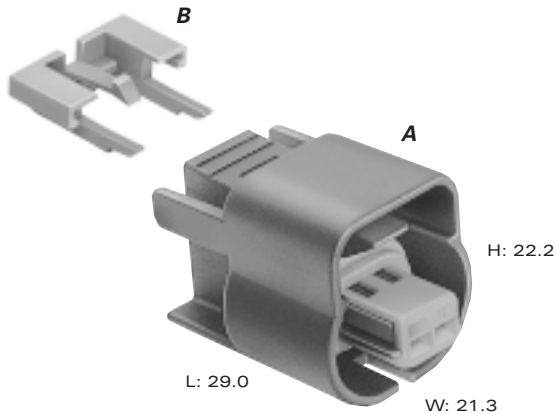
GT CONNECTOR ASSEMBLY/METRI-PACK PULL-TO-SEAT REPLACEMENT CROSS REFERENCE

GT Connector Assembly	Description	Metri-Pack Pull-To-Seat
15336024	Connector Assembly 2F	12162193, 12162194, 12162195
15336027 TBI	Connector Assembly 2F	12162204, 12162206, 12162208, 12162215, 12162216, 12162217, 12162218
15336029	Connector Assembly 3F	12162182, 12162183, 12162184, 12162185, 12162186
15336035	Connector Assembly 4F	12124846, 12129192, 12162188, 12162189, 12162190, 12162191



GT 150 FEMALE SHROUDED CONNECTOR ASSEMBLIES SEALED

# Cavities	Conn. Asm.	Indexing	Color	Material
2	15336004	Mushroom	Black	PA6 10% GF & 20% GB
2	15355317	Mushroom	Black	PBT 20% GF
3	15336121	Mushroom	Black	PA66 HS IM
3	15355323	Mushroom	Black	PBT 20% GF
4	15355331	Mushroom	Black	PA66 HS IM
4	15355331	Mushroom	Black	PBT 20% GF
5	15326389	Mushroom	Black	PA66 HS IM
5	15355268	Mushroom	Black	PBT 20% GF
6	15336013	Mushroom	Black	PBT 20% GF
<hr/>				
2	15335987	Key	Black	PA6 10% GF & 20% GB
2	15355319	Key	Black	PBT 20% GF
3	15326556	Key	Black	PA66 HS IM
3	15355325	Key	Black	PBT 20% GF
4	15336001	Key	Black	PA66 HS IM
4	15355329	Key	Black	PBT 20% GF



**Shrouded Female
Mushroom Indexed**

A PART NO: 15336004*
 DESCRIPTION: Connector Assembly 2F
 SIZE: 29.0L x 22.2H x 21.3W
 COLOR: Black
 MATERIAL: PA6 10% GF & 20% GB
 TERMINALS: See Page 18
 SEALS/PLUGS: See Page 18
 *See Page 19 for alternative material

PART NO: 15326389*
 DESCRIPTION: Connector Assembly 5F
 SIZE: 29.0L x 22.2H x 31.8W
 COLOR: Black
 MATERIAL: PA66 HS IM
 TERMINALS: See Page 18
 SEALS/PLUGS: See Page 18
 *See Page 19 for alternative material

PART NO: 15336121*
 DESCRIPTION: Connector Assembly 3F
 SIZE: 29.0L x 22.2H x 24.8W
 COLOR: Black
 MATERIAL: PA66 HS IM
 TERMINALS: See Page 18
 SEALS/PLUGS: See Page 18
 *See Page 19 for alternative material

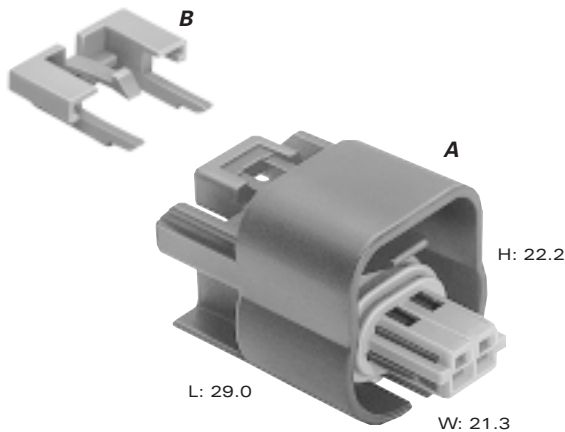
PART NO: 15336013*
 DESCRIPTION: Connector Assembly 6F
 SIZE: 29.0L x 22.2H x 35.3W
 COLOR: Black
 MATERIAL: PA66 HS IM
 TERMINALS: See Page 18
 SEALS/PLUGS: See Page 18
 *See Page 19 for alternative material

PART NO: 15355331*
 DESCRIPTION: Connector Assembly 4F
 SIZE: 29.0L x 22.2H x 28.3W
 COLOR: Black
 MATERIAL: PA66 HS IM
 TERMINALS: See Page 18
 SEALS/PLUGS: See Page 18
 *See Page 19 for alternative material

B PART NO: 15317832
 DESCRIPTION: CPA
 COLOR: Gray
 MATERIAL: PA6 10% GF & 20% GB

**GT CONNECTOR ASSEMBLY/METRI-PACK SlimLine
CROSS REFERENCE**

GT Connector Assembly	Description	Metri-Pack Pull-To-Seat
15336004, 15355317	Connector Assembly 2F	12162193, 12162194, 12162195
15336121, 15355323	Connector Assembly 3F	12162182, 12162183, 12162184, 12162185, 12162186
15326559, 15355331	Connector Assembly 4F	12124846, 12129192, 12162188, 12162189, 12162190, 12162191
15326389, 15355268	Connector Assembly 5F	12162825, 12162826, 12162827
15336013, 15326829	Connector Assembly 6F	12066317, 12162210, 12162260, 12162261, 12162262



Shrouded Female Key Indexed

A PART NO: 15335987*
 DESCRIPTION: Connector Assembly 2F
 SIZE: 29.0L x 22.2H x 21.3W
 COLOR: Black
 MATERIAL: PA6 10% GF & 20% GB
 TERMINALS: See Page 19
 SEALS/PLUGS: See Page 19
 *See Page 19 for alternative material

PART NO: 15326556*
 DESCRIPTION: Connector Assembly 3F
 SIZE: 29.0L x 22.2H x 24.8W
 COLOR: Black
 MATERIAL: PA66 HS IM
 TERMINALS: See Page 19
 SEALS/PLUGS: See Page 19
 *See Page 19 for alternative material

PART NO: 15336001*
 DESCRIPTION: Connector Assembly 4F
 SIZE: 29.0L x 22.2H x 28.3W
 COLOR: Black
 MATERIAL: PA66 HS IM
 TERMINALS: See Page 19
 SEALS/PLUGS: See Page 19
 *See Page 19 for alternative material

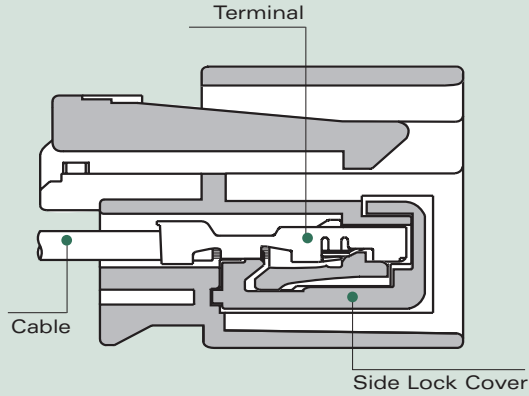
B PART NO: 15317832
 DESCRIPTION: CPA
 COLOR: Gray
 MATERIAL: PA6 10% GF & 20% GB

GT CONNECTOR ASSEMBLY/METRI-PACK *SlimLine* CROSS REFERENCE

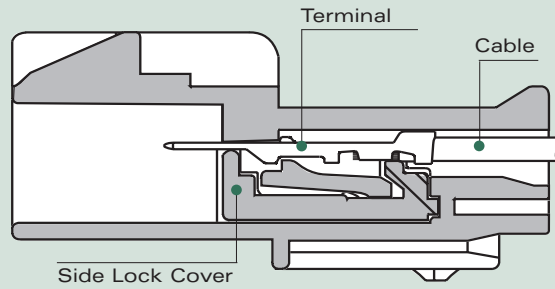
GT Connector Assembly	Description	Metri-Pack Pull-To-Seat
15335987, 15355319	Connector Assembly 2F	12162197, 12162198, 12162199
15326556, 15355325	Connector Assembly 3F	12162278, 12162279, 12162280
15336001, 15355329	Connector Assembly 4F	12162833, 12162834



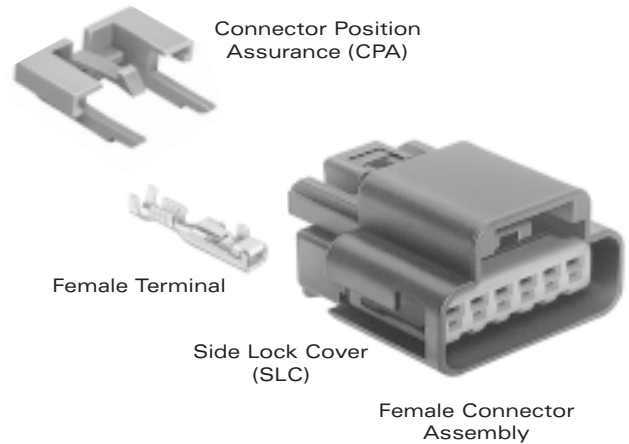
Cross Sectional View



Female Connector Assembly



Male Connector Assembly



GT 280 FEMALE TERMINALS UNSEALED

Part #	Cable Range (mm ²)	Material	Plating
15304710	0.50-0.35	Tin Brass	Tin
15304711	1.00-0.75	Tin Brass	Tin
15304712	3.00-1.50	Tin Brass	Tin
15304713	5.00-4.00	Tin Brass	Tin

GT 280 FEMALE CONNECTOR ASSEMBLIES UNSEALED

# Cavities	Conn. Asm.	Color	Material
2	15326870	Black	PA6 10% GF & 20% GB
3	15326877	Black	PA6 10% GF & 20% GB
4	15326886	Black	PA6 10% GF & 20% GB
5	15326893	Black	PA6 10% GF & 20% GB
6	15326900	Black	PA6 10% GF & 20% GB
8	15326924	Black	PA6 10% GF & 20% GB
10	15326931	Black	PA6 10% GF & 20% GB
12	15326110	Black	PA6 10% GF & 20% GB
16	15326952	Black	PA6 10% GF & 20% GB

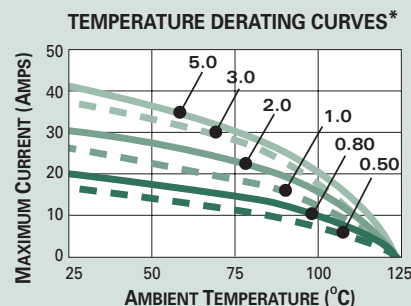
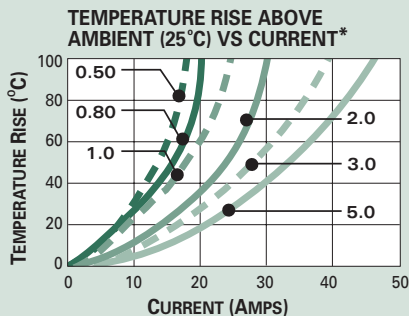
Side Lock Covers (SLC) are included in the Connector Assemblies listed in this section.



Unsealed System Application Information

CABLE RANGE (mm²): 0.35-5.0
CURRENT RANGE (AMPS): 0-25
TEMP RANGE °C: -40 to 125
RESISTANCE: <10mΩ@20mV
VOLTAGE DROP: <4.0mV/amp
CENTERLINE SPACING (mm): 5.5
BLADE WIDTH (mm): 2.8

280 SERIES TERMINALS - Tin Plated



*The test data are based on single circuits in free space and were generated using a "Lumped Resistance" model. This model does not account for all of the variables that would be present in an actual application. For actual product performance, contact your regional support representative at the number listed below.



GT 280 MALE CONNECTOR ASSEMBLIES UNSEALED

# Cavities	Connector	Color	Material
2	15326874	Black	PA6 10% GF & 20% GB
3	15326881	Black	PA6 10% GF & 20% GB
4	15326890	Black	PA6 10% GF & 20% GB
5	15326897	Black	PA6 10% GF & 20% GB
6	15326904	Black	PA6 10% GF & 20% GB
8	15326928	Black	PA6 10% GF & 20% GB
10	15326935	Black	PA6 10% GF & 20% GB
12	15326942	Black	PA6 10% GF & 20% GB
16	15326956	Black	PA6 10% GF & 20% GB

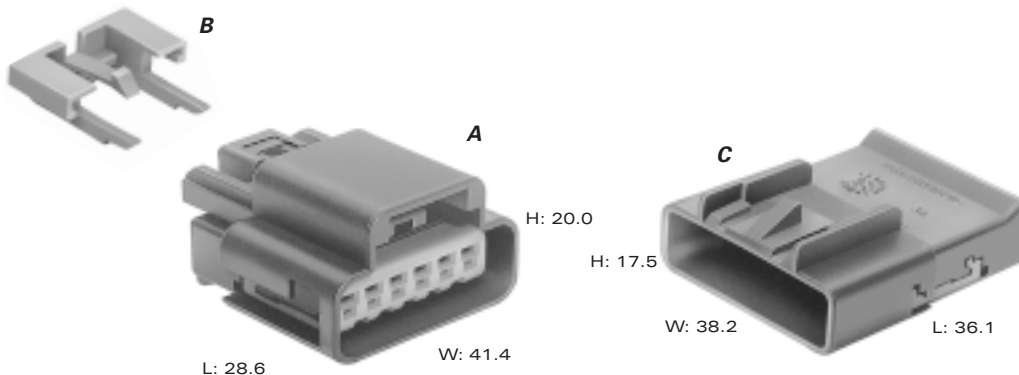
Side Lock Covers (SLC) are included in the Connector Assemblies listed in this section.

GT 280 MALE TERMINALS UNSEALED

Part #	Cable Range (mm ²)	Material	Plating
15304722	0.50-0.35	Tin Brass	Tin
15304723	1.00-0.75	Tin Brass	Tin
15304724	3.00-1.50	Tin Brass	Tin
15304725	5.00-4.00	Tin Brass	Tin

SECTION NOTES:

- Contact your regional support representative at the number listed below.
- Due to rigid tolerances of connector cavities, it is critical to meet all crimp dimensions as specified.
- Special consideration must be used when applying terminals 15304713 and 15304725 due to cavity space limitations.



Total Mated Length: 48.7mm

A PART NO: 15326870
 DESCRIPTION: Connector Assembly 2F
 SIZE: 28.6L x 20.0H x 19.4W
 COLOR: Black
 MATERIAL: PA6 10% GF & 20% GB
 TERMINALS: See Page 22

C PART NO: 15326874
 DESCRIPTION: Connector Assembly 2M
 SIZE: 36.1L x 17.5H x 16.2W
 COLOR: Black
 MATERIAL: PA6 10% GF & 20% GB
 TERMINALS: See Page 23

PART NO: 15326877
 DESCRIPTION: Connector Assembly 3F
 SIZE: 28.6L x 20.0H x 24.9W
 COLOR: Black
 MATERIAL: PA6 10% GF & 20% GB
 TERMINALS: See Page 22

PART NO: 15326881
 DESCRIPTION: Connector Assembly 3M
 SIZE: 36.1L x 17.5H x 21.7W
 COLOR: Black
 MATERIAL: PA6 10% GF & 20% GB
 TERMINALS: See Page 23

PART NO: 15326886
 DESCRIPTION: Connector Assembly 4F
 SIZE: 28.6L x 20.0H x 30.4W
 COLOR: Black
 MATERIAL: PA6 10% GF & 20% GB
 TERMINALS: See Page 22

PART NO: 15326890
 DESCRIPTION: Connector Assembly 4M
 SIZE: 36.1L x 17.5H x 27.2W
 COLOR: Black
 MATERIAL: PA6 10% GF & 20% GB
 TERMINALS: See Page 23

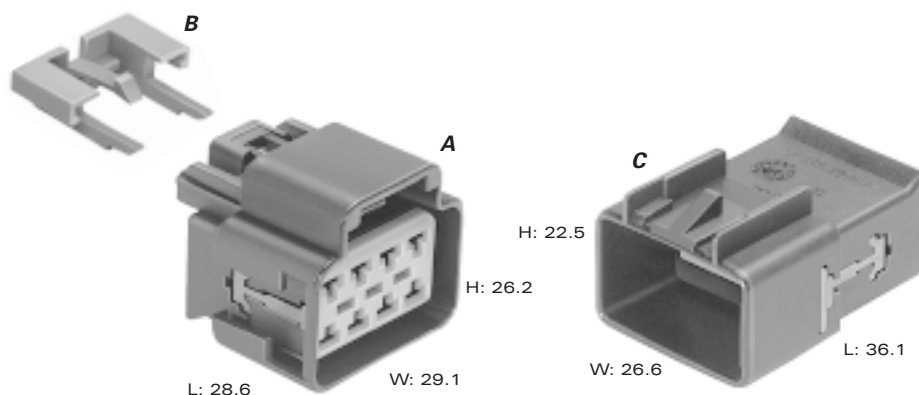
PART NO: 15326893†
 DESCRIPTION: Connector Assembly 5F
 SIZE: 28.6L x 20.0H x 35.9W
 COLOR: Black
 MATERIAL: PA6 10% GF & 20% GB
 TERMINALS: See Page 22

PART NO: 15326897
 DESCRIPTION: Connector Assembly 5M
 SIZE: 36.1L x 17.5H x 32.7W
 COLOR: Black
 MATERIAL: PA6 10% GF & 20% GB
 TERMINALS: See Page 23

PART NO: 15326900
 DESCRIPTION: Connector Assembly 6F
 SIZE: 28.6L x 20.0H x 41.4W
 COLOR: Black
 MATERIAL: PA6 10% GF & 20% GB
 TERMINALS: See Page 22

PART NO: 15326904
 DESCRIPTION: Connector Assembly 6M
 SIZE: 36.1L x 17.5H x 38.2W
 COLOR: Black
 MATERIAL: PA6 10% GF & 20% GB
 TERMINALS: See Page 23

B PART NO: 15317832
 DESCRIPTION: CPA
 COLOR: Gray
 MATERIAL: PA6 10% GF & 20% GB



Total Mated Length: 48.7mm

A PART NO: 15326924
 DESCRIPTION: Connector Assembly 8F
 SIZE: 28.6L x 26.2H x 29.1W
 COLOR: Black
 MATERIAL: PA6 10% GF & 20% GB
 TERMINALS: See Page 22

PART NO: 15326931
 DESCRIPTION: Connector Assembly 10F
 SIZE: 28.6L x 26.2H x 34.6W
 COLOR: Black
 MATERIAL: PA6 10% GF & 20% GB
 TERMINALS: See Page 22

PART NO: 15326110
 DESCRIPTION: Connector Assembly 12F
 SIZE: 28.6L x 26.2H x 40.1W
 COLOR: Black
 MATERIAL: PA6 10% GF & 20% GB
 TERMINALS: See Page 22

PART NO: 15326952
 DESCRIPTION: Connector Assembly 16F
 SIZE: 28.6L x 26.2H x 51.1W
 COLOR: Black
 MATERIAL: PA6 10% GF & 20% GB
 TERMINALS: See Page 22

B PART NO: 15317832
 DESCRIPTION: CPA
 COLOR: Gray
 MATERIAL: PA6 10% GF & 20% GB

C PART NO: 15326928
 DESCRIPTION: Connector Assembly 8M
 SIZE: 36.1L x 22.5H x 26.6W
 COLOR: Black
 MATERIAL: PA6 10% GF & 20% GB
 TERMINALS: See Page 23

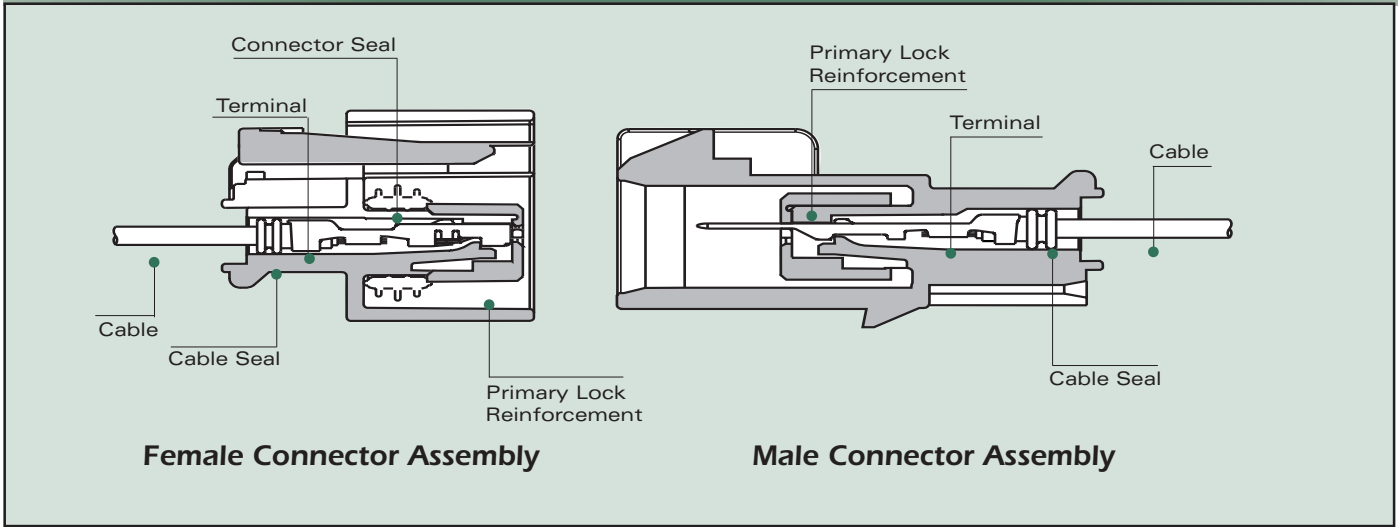
PART NO: 15326935
 DESCRIPTION: Connector Assembly 10M
 SIZE: 36.1L x 22.5H x 32.1W
 COLOR: Black
 MATERIAL: PA6 10% GF & 20% GB
 TERMINALS: See Page 23

PART NO: 15326942
 DESCRIPTION: Connector Assembly 12M
 SIZE: 36.1L x 22.5H x 37.6W
 COLOR: Black
 MATERIAL: PA6 10% GF & 20% GB
 TERMINALS: See Page 23

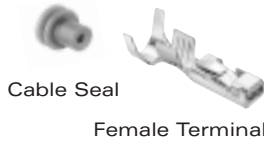
PART NO: 15326956
 DESCRIPTION: Connector Assembly 16M
 SIZE: 36.1L x 22.5H x 48.6W
 COLOR: Black
 MATERIAL: PA6 10% GF & 20% GB
 TERMINALS: See Page 23



Cross Sectional View



Connector Position Assurance (CPA)



Cable Seal
Female Terminal



Connector Seal
Primary Lock Reinforcement (PLR)



Female Connector Assembly

GT 280 FEMALE TERMINALS SEALED

Part #	Cable Range (mm ²)	Material	Plating
15304718	0.50-0.35	Tin Brass	Tin
15304719	1.00-0.75	Tin Brass	Tin
15304720	3.00-1.50	Tin Brass	Tin
15326004	5.00-4.00	Beryllium Copper	Tin



GT 280 CABLE SEALS

Reel Part #	Loose Part #	Cable Diameter	Material	Color
12191221	15366065	1.20-1.85	Silicone	Orange
12191222	15366066	1.86-2.25	Silicone	Yellow
12191223	15366067	2.50-3.20	Silicone	Tan
-	12191235	3.40-3.90	Silicone	Purple

GT 280 FEMALE CONNECTOR ASSEMBLIES SEALED

# Cavities	Conn. Asm.	Color	Material
2	15326679	Black	PA6 10% GF & 20% GB
3	15326614	Black	PA6 10% GF & 20% GB
4	15326631	Black	PA6 10% GF & 20% GB
5	15326642	Black	PA6 10% GF & 20% GB
6	15326635	Black	PA6 10% GF & 20% GB
8	15326654	Black	PA6 10% GF & 20% GB
10	15326660	Black	PA6 10% GF & 20% GB
12	15326910	Black	PA6 10% GF & 20% GB
14	15326917	Black	PA6 10% GF & 20% GB
16	15326666	Black	PA6 10% GF & 20% GB

Primary Lock Reinforcement (PLR) and Connector Seals are included in the Connector Assemblies listed in this section.

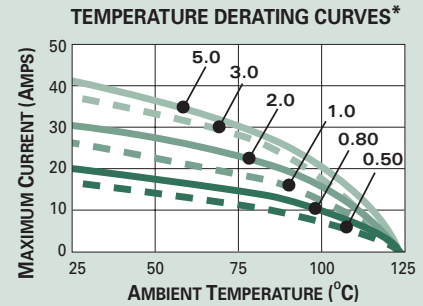
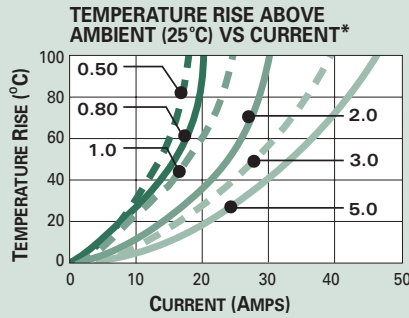
<http://delphi.com/products/connect>



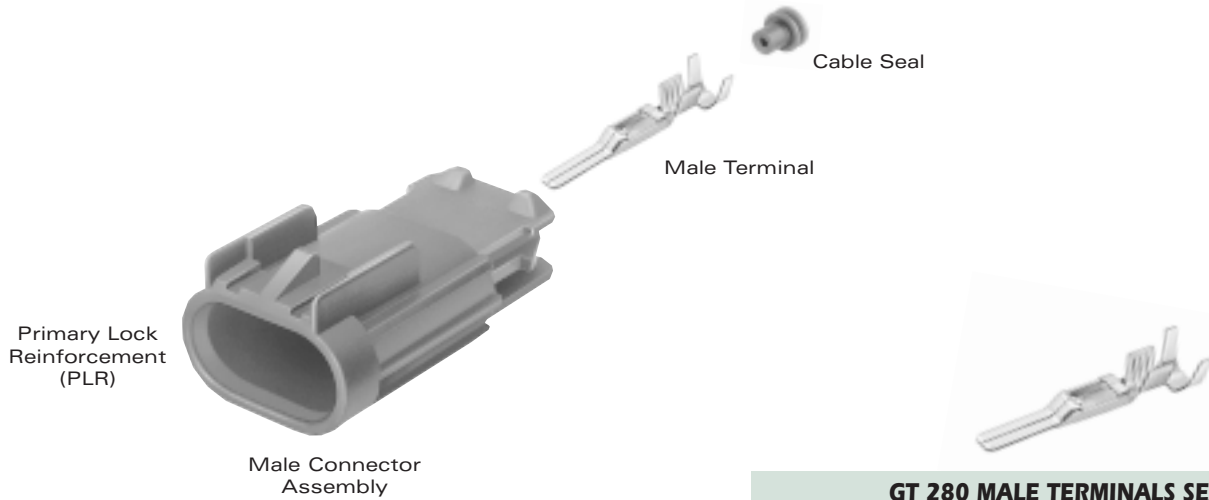
Sealed System Application Information

CABLE RANGE (mm²): 0.35-5.0
CURRENT RANGE (AMPS): 0-25
TEMP RANGE °C: -40 to 125
RESISTANCE: <10mΩ@20mV
VOLTAGE DROP: <4.0mV/amp
CENTERLINE SPACING (mm): 6.5
BLADE WIDTH (mm): 2.8

280 SERIES TERMINALS - Tin Plated



*The test data are based on single circuits in free space and were generated using a "Lumped Resistance" model. This model does not account for all of the variables that would be present in an actual application. For actual product performance, contact your regional support representative at the listed below.



GT 280 MALE CONNECTOR ASSEMBLIES SEALED			
# Cavities	Connector	Color	Material
2	15326678	Black	PA6 10% GF & 20% GB
3	15326623	Black	PA6 10% GF & 20% GB
4	15326633	Black	PA6 10% GF & 20% GB
5	15326647	Black	PA6 10% GF & 20% GB
6	15326640	Black	PA6 10% GF & 20% GB
8	15326655	Black	PA6 10% GF & 20% GB
10	15326661	Black	PA6 10% GF & 20% GB
12	15326915	Black	PA6 10% GF & 20% GB
14	15326922	Black	PA6 10% GF & 20% GB
16	15326667	Black	PA6 10% GF & 20% GB

Primary Lock Reinforcement is included in the Connector Assemblies listed in this section.

GT 280 MALE TERMINALS SEALED			
Part #	Cable Range (mm ²)	Material	Plating
15304730	0.50-0.35	Tin Brass	Tin
15304731	1.00-0.75	Tin Brass	Tin
15304732	3.00-1.50	Tin Brass	Tin

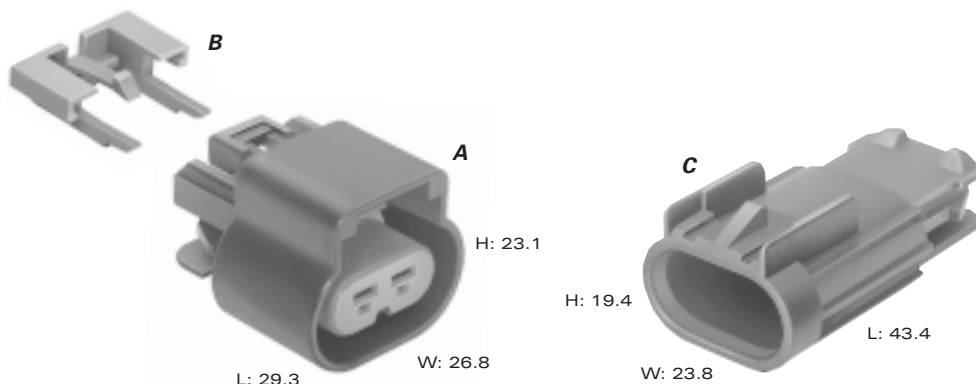
GT 280 CAVITY PLUG*			
Part #	Cavity Diameter	Material	Color
15305170	5.8mm	Silicone	White

*Cavity plugs seal unused female and male cavities.

SECTION NOTES:

- Contact your regional support representative at the number listed below.
- Due to rigid tolerances of connector cavities, it is critical to meet all crimp dimensions as specified.

<http://delphi.com/products/connect>



Total Mated Length: 56.7mm

A PART NO: 15326679
 DESCRIPTION: Connector Assembly 2F
 SIZE: 29.3L x 23.1H x 26.8W
 COLOR: Black
 MATERIAL: PA6 10% GF & 20% GB
 TERMINALS: See Page 26
 SEALS/PLUGS: See Page 26, 27

C PART NO: 15326678
 DESCRIPTION: Connector Assembly 2M
 SIZE: 43.4L x 19.4H x 23.8W
 COLOR: Black
 MATERIAL: PA6 10% GF & 20% GB
 TERMINALS: See Page 27
 SEALS/PLUGS: See Page 26, 27

PART NO: 15326614
 DESCRIPTION: Connector Assembly 3F
 SIZE: 29.3L x 23.1H x 33.3W
 COLOR: Black
 MATERIAL: PA6 10% GF & 20% GB
 TERMINALS: See Page 26
 SEALS/PLUGS: See Page 26, 27

PART NO: 15326623
 DESCRIPTION: Connector Assembly 3M
 SIZE: 43.4L x 19.4H x 30.3W
 COLOR: Black
 MATERIAL: PA6 10% GF & 20% GB
 TERMINALS: See Page 27
 SEALS/PLUGS: See Page 26, 27

PART NO: 15326631
 DESCRIPTION: Connector Assembly 4F
 SIZE: 29.3L x 23.1H x 39.8W
 COLOR: Black
 MATERIAL: PA6 10% GF & 20% GB
 TERMINALS: See Page 26
 SEALS/PLUGS: See Page 26, 27

PART NO: 15326633
 DESCRIPTION: Connector Assembly 4M
 SIZE: 43.4L x 19.4H x 36.8W
 COLOR: Black
 MATERIAL: PA6 10% GF & 20% GB
 TERMINALS: See Page 27
 SEALS/PLUGS: See Page 26, 27

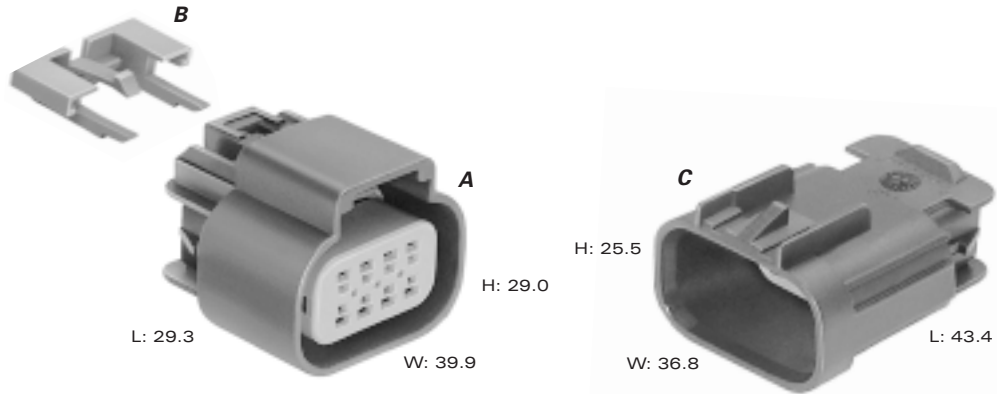
PART NO: 15326642
 DESCRIPTION: Connector Assembly 5F
 SIZE: 29.3L x 23.1H x 46.3W
 COLOR: Black
 MATERIAL: PA6 10% GF & 20% GB
 TERMINALS: See Page 26
 SEALS/PLUGS: See Page 26, 27

PART NO: 15326647
 DESCRIPTION: Connector Assembly 5M
 SIZE: 43.4L x 19.4H x 43.3W
 COLOR: Black
 MATERIAL: PA6 10% GF & 20% GB
 TERMINALS: See Page 27
 SEALS/PLUGS: See Page 26, 27

PART NO: 15326635
 DESCRIPTION: Connector Assembly 6F
 SIZE: 29.3L x 23.1H x 52.8W
 COLOR: Black
 MATERIAL: PA6 10% GF & 20% GB
 TERMINALS: See Page 26
 SEALS/PLUGS: See Page 26, 27

PART NO: 15326640
 DESCRIPTION: Connector Assembly 6M
 SIZE: 43.4L x 19.4H x 49.8W
 COLOR: Black
 MATERIAL: PA6 10% GF & 20% GB
 TERMINALS: See Page 27
 SEALS/PLUGS: See Page 26, 27

B PART NO: 15317832
 DESCRIPTION: CPA
 COLOR: Gray
 MATERIAL: PA6 10% GF & 20% GB



Total Mated Length: 56.7mm

A PART NO: 15326654
 DESCRIPTION: Connector Assembly 8F
 SIZE: 29.3L x 29.0H x 39.9W
 COLOR: Black
 MATERIAL: PA6 10% GF & 20% GB
 TERMINALS: See Page 26
 SEALS/PLUGS: See Page 26, 27

PART NO: 15326660
 DESCRIPTION: Connector Assembly 10F
 SIZE: 29.3L x 29.0H x 46.4W
 COLOR: Black
 MATERIAL: PA6 10% GF & 20% GB
 TERMINALS: See Page 26
 SEALS/PLUGS: See Page 26, 27

PART NO: 15326910
 DESCRIPTION: Connector Assembly 12F
 SIZE: 29.3L x 29.0H x 52.9W
 COLOR: Black
 MATERIAL: PA6 10% GF & 20% GB
 TERMINALS: See Page 26
 SEALS/PLUGS: See Page 26, 27

PART NO: 15326917
 DESCRIPTION: Connector Assembly 14F
 SIZE: 29.3L x 29.0H x 59.4W
 COLOR: Black
 MATERIAL: PA6 10% GF & 20% GB
 TERMINALS: See Page 26
 SEALS/PLUGS: See Page 26, 27

PART NO: 15326666
 DESCRIPTION: Connector Assembly 16F
 SIZE: 29.3L x 29.0H x 65.9W
 COLOR: Black
 MATERIAL: PA6 10% GF & 20% GB
 TERMINALS: See Page 26
 SEALS/PLUGS: See Page 26, 27

B PART NO: 15317832
 DESCRIPTION: CPA
 COLOR: Gray
 MATERIAL: PA6 10% GF & 20% GB

C PART NO: 15326655
 DESCRIPTION: Connector Assembly 8M
 SIZE: 43.4L x 25.5H x 36.8W
 COLOR: Black
 MATERIAL: PA6 10% GF & 20% GB
 TERMINALS: See Page 27
 SEALS/PLUGS: See Page 26, 27

PART NO: 15326661
 DESCRIPTION: Connector Assembly 10M
 SIZE: 43.4L x 25.5H x 43.3W
 COLOR: Black
 MATERIAL: PA6 10% GF & 20% GB
 TERMINALS: See Page 27
 SEALS/PLUGS: See Page 26, 27

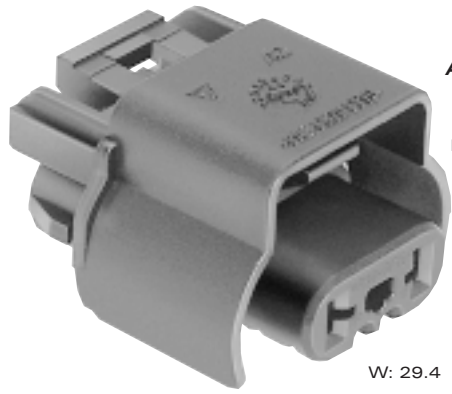
PART NO: 15326915
 DESCRIPTION: Connector Assembly 12M
 SIZE: 43.4L x 25.5H x 49.8W
 COLOR: Black
 MATERIAL: PA6 10% GF & 20% GB
 TERMINALS: See Page 27
 SEALS/PLUGS: See Page 26, 27

PART NO: 15326922
 DESCRIPTION: Connector Assembly 14M
 SIZE: 43.4L x 25.5H x 56.3W
 COLOR: Black
 MATERIAL: PA6 10% GF & 20% GB
 TERMINALS: See Page 27
 SEALS/PLUGS: See Page 26, 27

PART NO: 15326667
 DESCRIPTION: Connector Assembly 16M
 SIZE: 43.4L x 25.5H x 62.8W
 COLOR: Black
 MATERIAL: PA6 10% GF & 20% GB
 TERMINALS: See Page 27
 SEALS/PLUGS: See Page 26, 27



GT 280 Connection Systems are designed to mate to most headlamps, including a variety of daytime running lamps, high beam, and dual filament BULBS.



A

H: 23.8

W: 29.4

L: 35.8

- A PART NO: 15336116**
 DESCRIPTION: Connector Assembly 2F
 SIZE: 35.8L x 23.8H x 29.4W
 COLOR: Black
 MATERIAL: PA6 20% GF & 10% GB
 TERMINALS: See Page 26
 SEALS/PLUGS: See Page 84, 85



B

H: 23.8

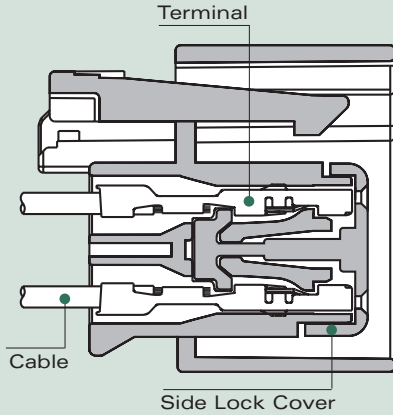
W: 29.4

L: 35.8

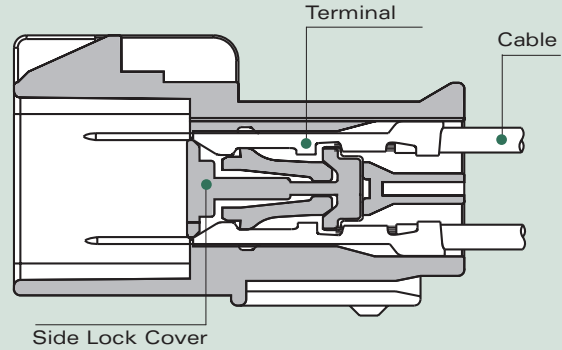
- B PART NO: 15336117**
 DESCRIPTION: Connector Assembly 2F
 SIZE: 35.8L x 23.8H x 29.4W
 COLOR: Brown
 MATERIAL: PA6 20% GF & 10% GB
 TERMINALS: See Page 26
 SEALS/PLUGS: See Page 84, 85



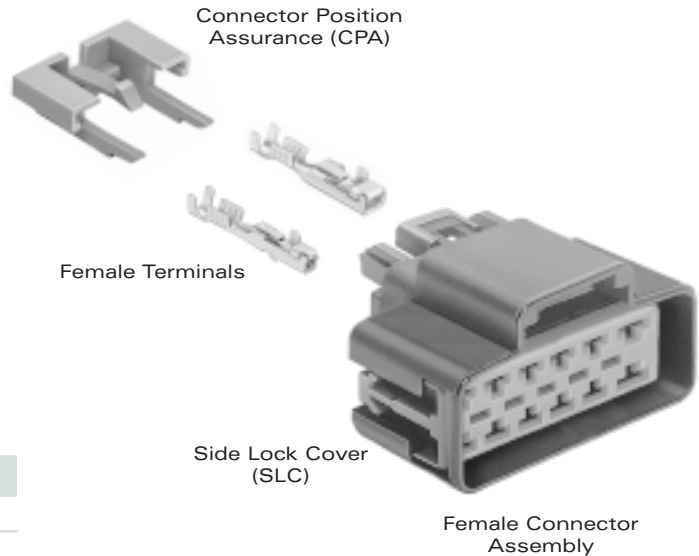
Cross Sectional View



Female Connector Assembly



Male Connector Assembly



GT 150 FEMALE TERMINALS UNSEALED

Part #	Cable Range (mm ²)	Material	Plating
12191811	0.50-0.35	Tin Brass	Tin
12191812	1.00-0.75	Tin Brass	Tin

GT 280 FEMALE TERMINALS UNSEALED

Part #	Cable Range (mm ²)	Material	Plating
15304710	0.50-0.35	Tin Brass	Tin
15304711	1.00-0.75	Tin Brass	Tin
15304712	3.00-1.50	Tin Brass	Tin
15304713	5.00-4.00	Tin Brass	Tin

GT MIXED FEMALE CONNECTOR ASSEMBLIES UNSEALED

# Cavities	Connector	Color	Material
12	15336205	Black	PA6 10% GF & 20% GB
16	15336219	Black	PA6 10% GF & 20% GB
18	15326082	Black	PA6 10% GF & 20% GB

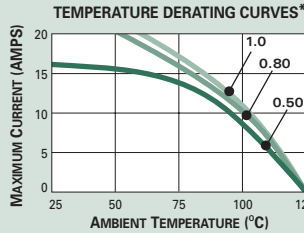
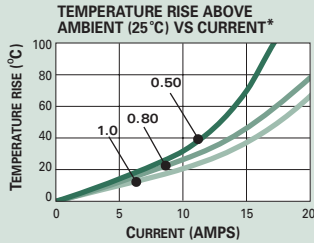
Side Lock Covers (SLC) are included in the Connector Assemblies listed in this section.

<http://delphi.com/products/connect>



Unsealed System Application Information

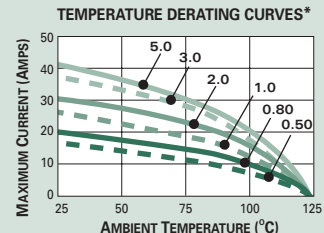
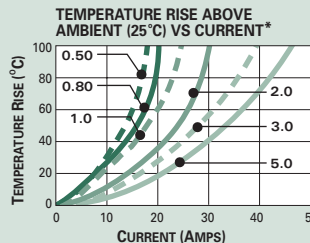
GT 150 SERIES TERMINALS-Tin Plated



CABLE RANGE (mm²): 0.35-1.0
 CURRENT RANGE (AMPS): 0-15
 TEMP RANGE °C: -40 to 125
 RESISTANCE: <10mΩ@20mV

VOLTAGE DROP: <10.0mV/amp
 CENTERLINE SPACING (mm): 4.0
 BLADE WIDTH (mm): 1.5

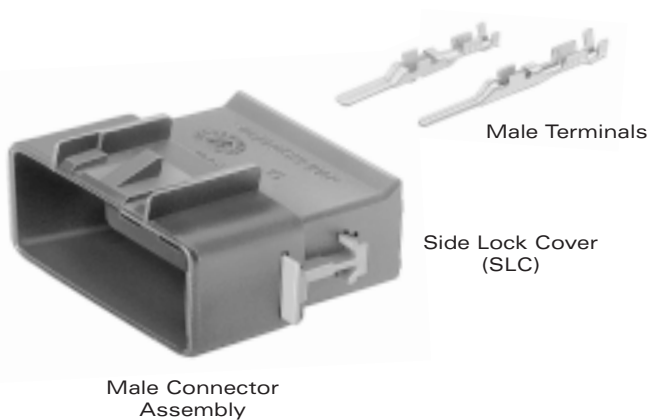
280 SERIES TERMINALS - Tin Plated



CABLE RANGE (mm²): 0.35-5.0
 CURRENT RANGE (AMPS): 0-25
 TEMP RANGE °C: -40 to 125
 RESISTANCE: <10mΩ@20mV

VOLTAGE DROP: <4.0mV/amp
 CENTERLINE SPACING (mm): 5.5
 BLADE WIDTH (mm): 2.8

* The test data are based on single circuits in free space and were generated using a "Lumped Resistance" model. This model does not account for all of the variables that would be present in an actual application. For actual product performance contact your regional support representative at the number listed below.



GT 150 MALE TERMINALS UNSEALED

Part #	Cable Range (mm ²)	Material	Plating
15304701	0.50-0.35	Tin Brass	Tin
15304702	1.00-0.75	Tin Brass	Tin

GT 280 MALE TERMINALS UNSEALED

Part #	Cable Range (mm ²)	Material	Plating
15304722	0.50-0.35	Tin Brass	Tin
15304723	1.00-0.75	Tin Brass	Tin
15304724	3.00-1.50	Tin Brass	Tin
15304725	5.00-4.00	Tin Brass	Tin

GT MIXED MALE CONNECTOR ASSEMBLIES UNSEALED

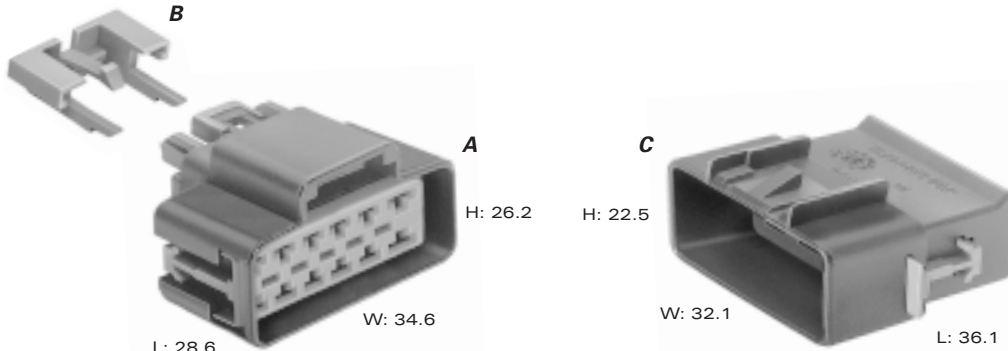
# Cavities	Connector	Color	Material
12	15336209	Black	PA6 10% GF & 20% GB
16	15336224	Black	PA6 10% GF & 20% GB

Side Lock Covers (SLC) are included in the Connector Assemblies listed in this section.

SECTION NOTES:

- Contact your regional support representative at the number listed below.
- Due to rigid tolerances of connector cavities, it is critical to meet all crimp dimensions as specified.
- Special consideration must be used when applying terminals 15304713 and 15304725 due to cavity space limitations.

<http://delphi.com/products/connect>



Total Mated Length: 56.7mm

A PART NO: 15336205
 DESCRIPTION: Connector Assembly 12F
 SIZE: 28.6L x 26.2H x 34.6W
 COLOR: Black
 MATERIAL: PA6 10% GF & 20% GB
 TERMINALS: See Page 32

C PART NO: 15336209
 DESCRIPTION: Connector Assembly 12M
 SIZE: 36.1L x 22.5H x 32.1W
 COLOR: Black
 MATERIAL: PA6 10% GF & 20% GB
 TERMINALS: See Page 33

PART NO: 15336219
 DESCRIPTION: Connector Assembly 16F
 SIZE: 28.6L x 26.2H x 42.6W
 COLOR: Black
 MATERIAL: PA6 10% GF & 20% GB
 TERMINALS: See Page 32

PART NO: 15336224
 DESCRIPTION: Connector Assembly 16M
 SIZE: 36.1L x 22.5H x 40.1W
 COLOR: Black
 MATERIAL: PA6 10% GF & 20% GB
 TERMINALS: See Page 33

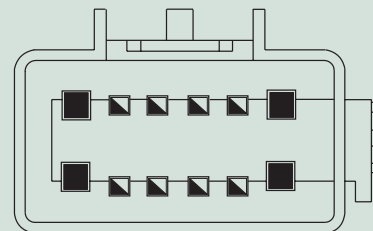
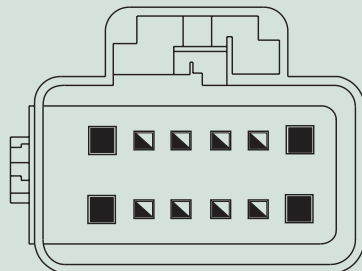
PART NO: 15326082
 DESCRIPTION: Connector Assembly 18F
 SIZE: 28.6L x 26.2H x 46.6W
 COLOR: Black
 MATERIAL: PA6 10% GF & 20% GB
 TERMINALS: See Page 32

B PART NO: 15317832
 DESCRIPTION: CPA
 COLOR: Gray
 MATERIAL: PA6 10% GF & 20% GB

KEY:

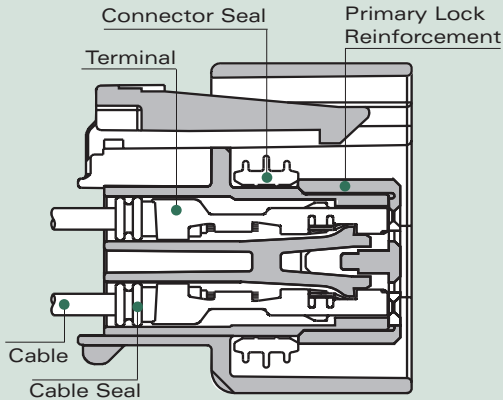
- ▣ 150 SERIES
- 280 SERIES

Mixed connectors feature a combination of different terminal cavities, as indicated by the key.

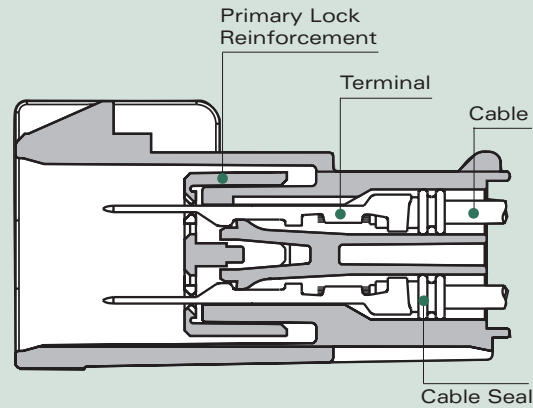




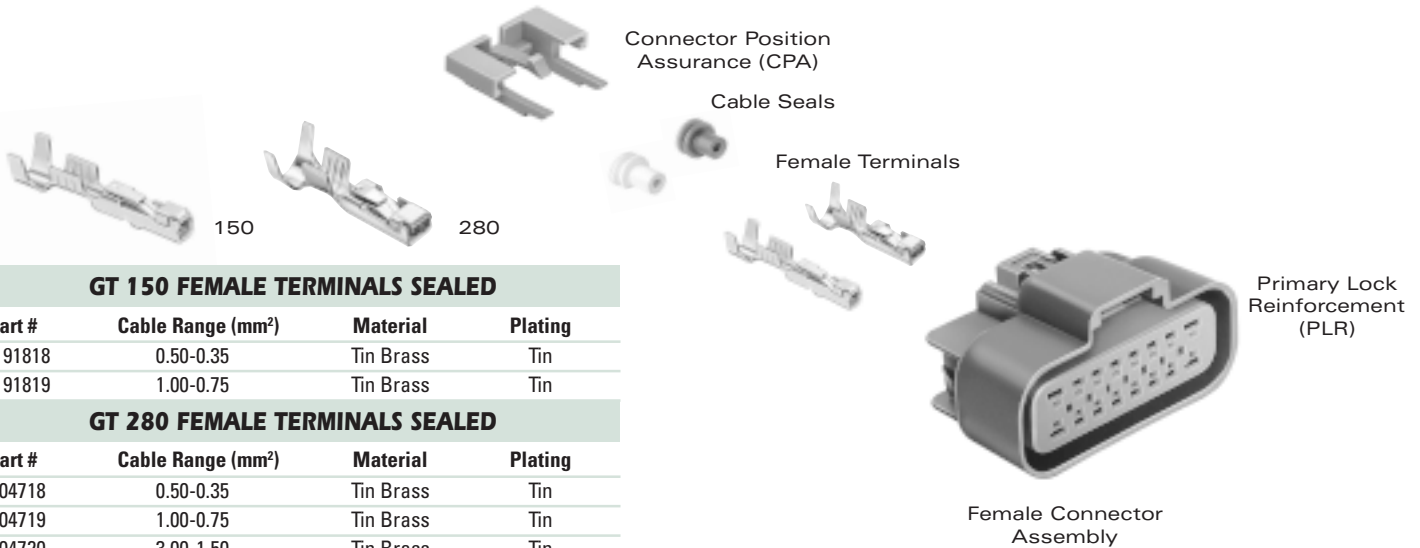
Cross Sectional View



Female Connector Assembly



Male Connector Assembly



GT 150 FEMALE TERMINALS SEALED

Part #	Cable Range (mm ²)	Material	Plating
12191818	0.50-0.35	Tin Brass	Tin
12191819	1.00-0.75	Tin Brass	Tin

GT 280 FEMALE TERMINALS SEALED

Part #	Cable Range (mm ²)	Material	Plating
15304718	0.50-0.35	Tin Brass	Tin
15304719	1.00-0.75	Tin Brass	Tin
15304720	3.00-1.50	Tin Brass	Tin
15326004	5.00-4.00	Beryllium Copper	Tin



GT 150 CABLE SEALS

Reel Part #	Loose Part #	Cable Diameter	Material	Color
12191152	15366021	1.20-1.85	Silicone	White
12191153	15366060	1.86-2.25	Silicone	Blue

GT 280 CABLE SEALS

Reel Part #	Loose Part #	Cable Diameter	Material	Color
12191221	15366065	1.20-1.85	Silicone	Orange
12191222	15366066	1.86-2.25	Silicone	Yellow
12191223	15366067	2.50-3.20	Silicone	Tan
-	12191235	3.40-3.90	Silicone	Purple

GT MIXED FEMALE CONNECTOR ASSEMBLIES SEALED

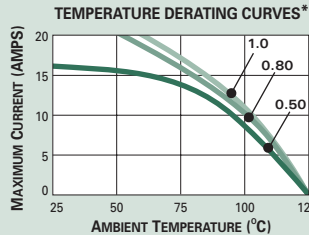
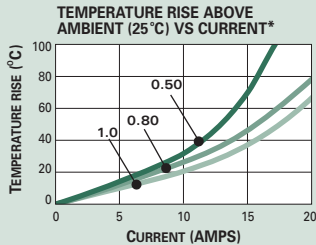
# Cavities	Connector	Color	Material
12	15326939	Black	PA6 10% GF & 20% GB
14	15336037	Black	PA6 10% GF & 20% GB
16	15326084	Black	PA6 10% GF & 20% GB

Primary Lock Reinforcement (PLR) and Connector Seals are included in the Connector Assemblies listed in this section.



Sealed System Application Information

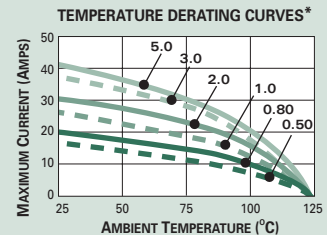
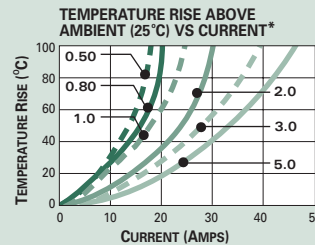
GT 150 SERIES TERMINALS-Tin Plated



CABLE RANGE (mm²): 0.35-1.0
 CURRENT RANGE (AMPS): 0-15
 TEMP RANGE °C: -40 to 125
 RESISTANCE: <10mΩ@20mV

VOLTAGE DROP: <10.0mV/amp
 CENTERLINE SPACING (mm): 4.5
 BLADE WIDTH (mm): 1.5

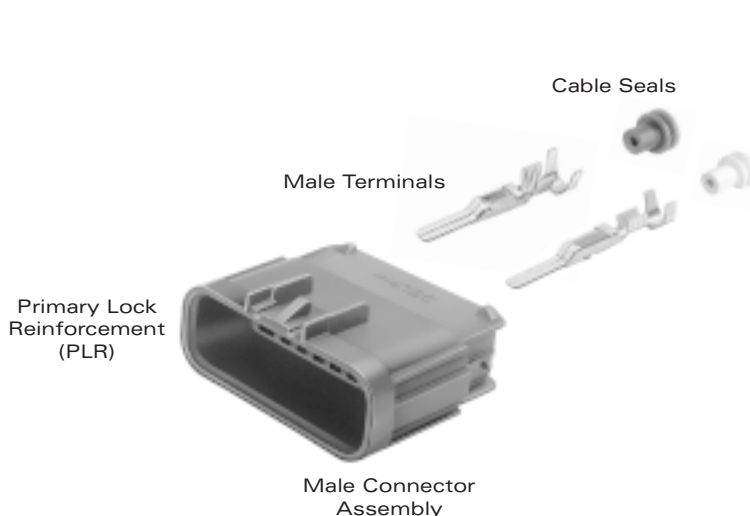
280 SERIES TERMINALS - Tin Plated



CABLE RANGE (mm²): 0.35-5.0
 CURRENT RANGE (AMPS): 0-25
 TEMP RANGE °C: -40 to 125
 RESISTANCE: <10mΩ@20mV

VOLTAGE DROP: <4.0mV/amp
 CENTERLINE SPACING (mm): 6.5
 BLADE WIDTH (mm): 2.8

* The test data are based on single circuits in free space and were generated using a "Lumped Resistance" model. This model does not account for all of the variables that would be present in an actual application. For actual product performance, contact your regional support representative at the number listed below.



GT 150 MALE TERMINALS SEALED

Part #	Cable Range (mm ²)	Material	Plating
15326268	0.50-0.35	Tin Brass	Tin
15326269	1.00-0.75	Tin Brass	Tin

GT 280 MALE TERMINALS SEALED

Part #	Cable Range (mm ²)	Material	Plating
15304730	0.50-0.35	Tin Brass	Tin
15304731	1.00-0.75	Tin Brass	Tin
15304732	3.00-1.50	Tin Brass	Tin

GT 150 CAVITY PLUG*

Part #	Cavity Diameter	Material	Color
15305171	4.0mm	Silicone	Green

*Cavity plugs seal unused female and male cavities.

GT 280 CAVITY PLUG*

Part #	Cavity Diameter	Material	Color
15305170	5.8mm	Silicone	White

*Cavity plugs seal unused female and male cavities.

GT MIXED MALE CONNECTOR ASSEMBLIES SEALED

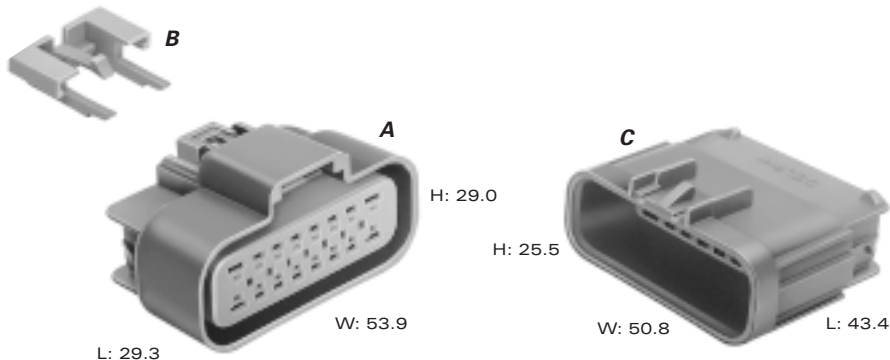
# Cavities	Connector	Color	Material
12	15336034	Black	PA6 10% GF & 20% GB
14	15422562	Black	PA6 10% GF & 20% GB
16	15326085	Black	PA6 10% GF & 20% GB

Primary Lock Reinforcement (PLR) is included in the Connector Assemblies listed in this section.

SECTION NOTES:

- Contact your regional support representative at the number listed below.
- Due to rigid tolerances of connector cavities, it is critical to meet all crimp dimensions as specified.

<http://delphi.com/products/connect>



Total Mated Length: 56.7mm

A PART NO: 15326939
 DESCRIPTION: Connector Assembly 12F
 SIZE: 29.3L x 29.0H x 44.9W
 COLOR: Black
 MATERIAL: PA6 10% GF & 20% GB
 TERMINALS: See Page 36
 SEALS/PLUGS: See Page 36, 37

C PART NO: 15336034
 DESCRIPTION: Connector Assembly 12M
 SIZE: 43.4L x 25.5H x 41.8W
 COLOR: Black
 MATERIAL: PA6 10% GF & 20% GB
 TERMINALS: See Page 37
 SEALS/PLUGS: See Page 36, 37

PART NO: 15336037
 DESCRIPTION: Connector Assembly 14F
 SIZE: 29.3L x 29.0H x 49.4W
 COLOR: Black
 MATERIAL: PA6 10% GF & 20% GB
 TERMINALS: See Page 36
 SEALS/PLUGS: See Page 36, 37

PART NO: 15422562
 DESCRIPTION: Connector Assembly 14M
 SIZE: 43.4L x 25.5H x 46.3W
 COLOR: Black
 MATERIAL: PA6 10% GF & 20% GB
 TERMINALS: See Page 37
 SEALS/PLUGS: See Page 36, 37

PART NO: 15326084
 DESCRIPTION: Connector Assembly 16F
 SIZE: 29.3L x 29.0H x 53.9W
 COLOR: Black
 MATERIAL: PA6 10% GF & 20% GB
 TERMINALS: See Page 36
 SEALS/PLUGS: See Page 36, 37

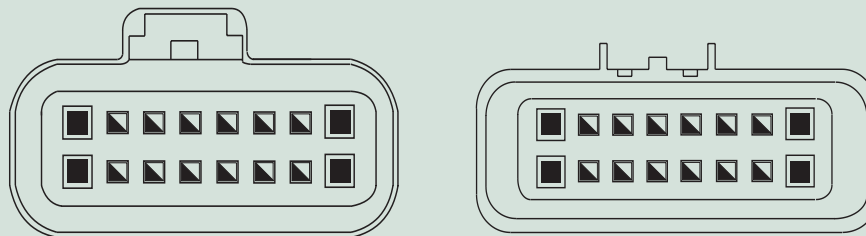
PART NO: 15326085
 DESCRIPTION: Connector Assembly 16M
 SIZE: 43.4L x 25.5H x 50.8W
 COLOR: Black
 MATERIAL: PA6 10% GF & 20% GB
 TERMINALS: See Page 37
 SEALS/PLUGS: See Page 36, 37

B PART NO: 15317832
 DESCRIPTION: CPA
 COLOR: Gray
 MATERIAL: PA6 10% GF & 20% GB

KEY:

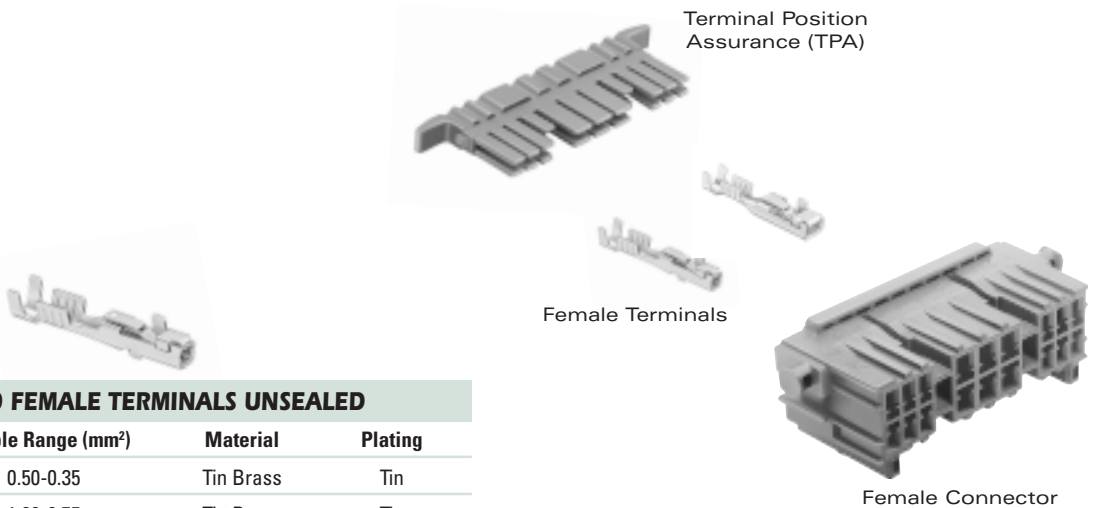
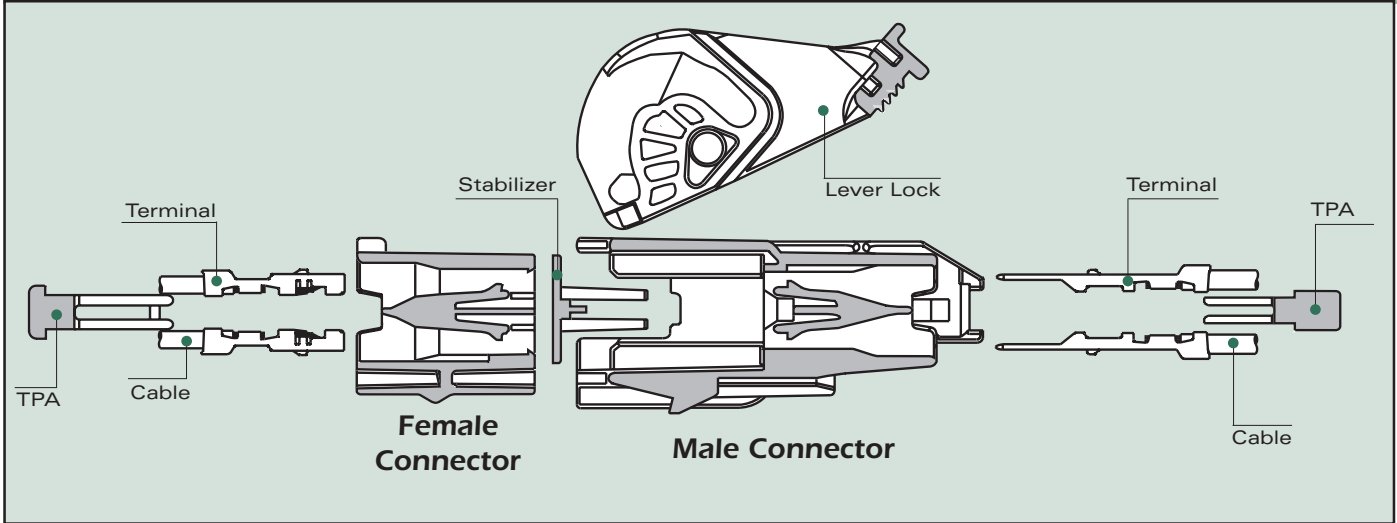
- ▣ 150 SERIES
- 280 SERIES

Mixed connectors feature a combination of different terminal cavities, as indicated by the key.





Cross Sectional View



GT 150 FEMALE TERMINALS UNSEALED

Part #	Cable Range (mm ²)	Material	Plating
12191811	0.50-0.35	Tin Brass	Tin
12191812	1.00-0.75	Tin Brass	Tin

GT 280 FEMALE TERMINALS UNSEALED

Part #	Cable Range (mm ²)	Material	Plating
15304710	0.50-0.35	Tin Brass	Tin
15304711	1.00-0.75	Tin Brass	Tin
15304712	3.00-1.50	Tin Brass	Tin
15304713	5.00-4.00	Tin Brass	Tin

GT FEMALE LEVER LOCK CONNECTORS UNSEALED

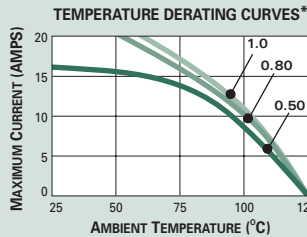
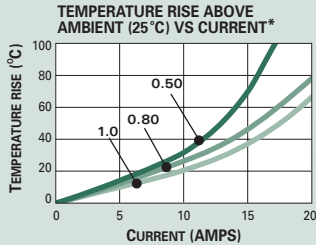
# Cavities	Connector	Color	Material	TPA
18	15304692	Black	PA66 HS IM	15304694
22	15317325	Lt. Gray	PA66 HS IM	15317326
30	15304908	Black	PA66 HS IM	15304913
40	15359287	Black	PA66 HS IM	15304842

<http://delphi.com/products/connect>



Unsealed System Application Information

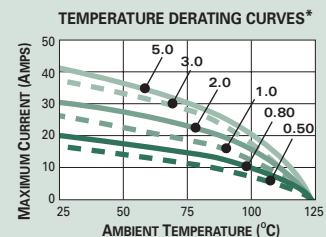
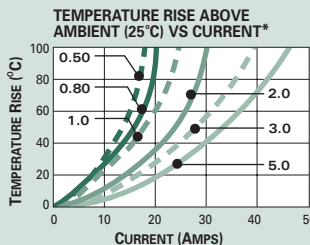
GT 150 SERIES TERMINALS-Tin Plated



CABLE RANGE (mm²): 0.35-1.0
 CURRENT RANGE (AMPS): 0-15
 TEMP RANGE °C: -40 to 125
 RESISTANCE: <10mΩ@20mV

VOLTAGE DROP: <10.0mV/amp
 CENTERLINE SPACING (mm): 4.0
 BLADE WIDTH (mm): 1.5

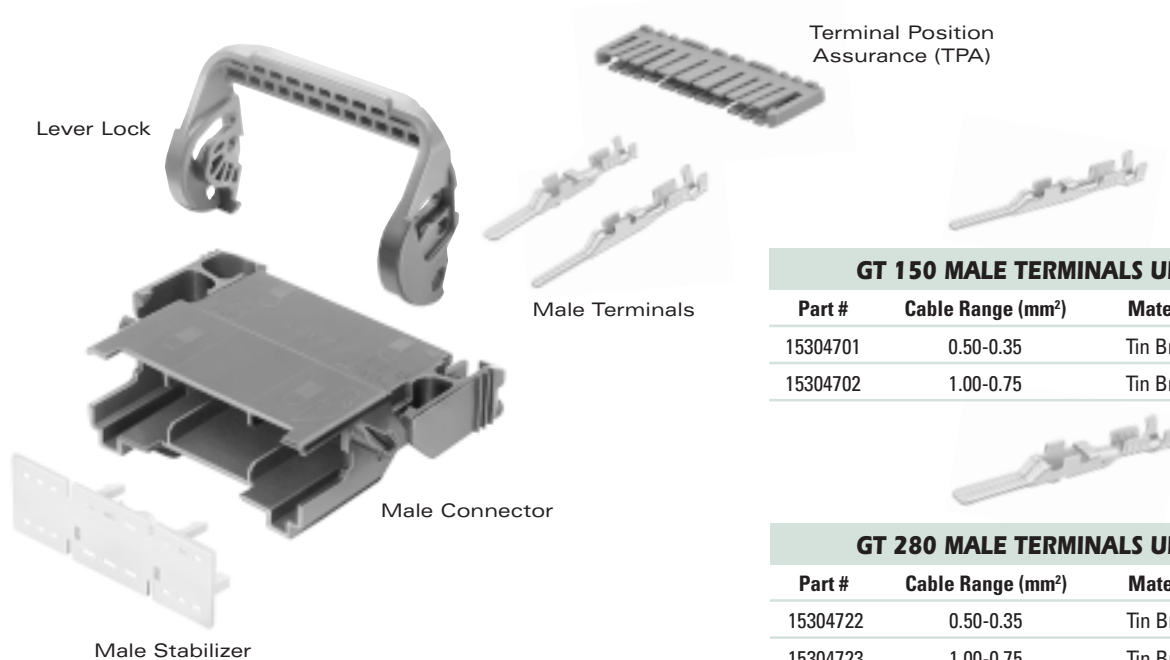
280 SERIES TERMINALS - Tin Plated



CABLE RANGE (mm²): 0.35-5.0
 CURRENT RANGE (AMPS): 0-25
 TEMP RANGE °C: -40 to 125
 RESISTANCE: <10mΩ@20mV

VOLTAGE DROP: <4.0mV/amp
 CENTERLINE SPACING (mm): 5.5
 BLADE WIDTH (mm): 2.8

* The test data are based on single circuits in free space and were generated using a "Lumped Resistance" model. This model does not account for all of the variables that would be present in an actual application. For actual product performance, contact your regional support representative at the number listed below.



GT 150 MALE TERMINALS UNSEALED

Part #	Cable Range (mm ²)	Material	Plating
15304701	0.50-0.35	Tin Brass	Tin
15304702	1.00-0.75	Tin Brass	Tin

GT 280 MALE TERMINALS UNSEALED

Part #	Cable Range (mm ²)	Material	Plating
15304722	0.50-0.35	Tin Brass	Tin
15304723	1.00-0.75	Tin Brass	Tin
15304724	3.00-1.50	Tin Brass	Tin
15304725	5.00-4.00	Tin Brass	Tin

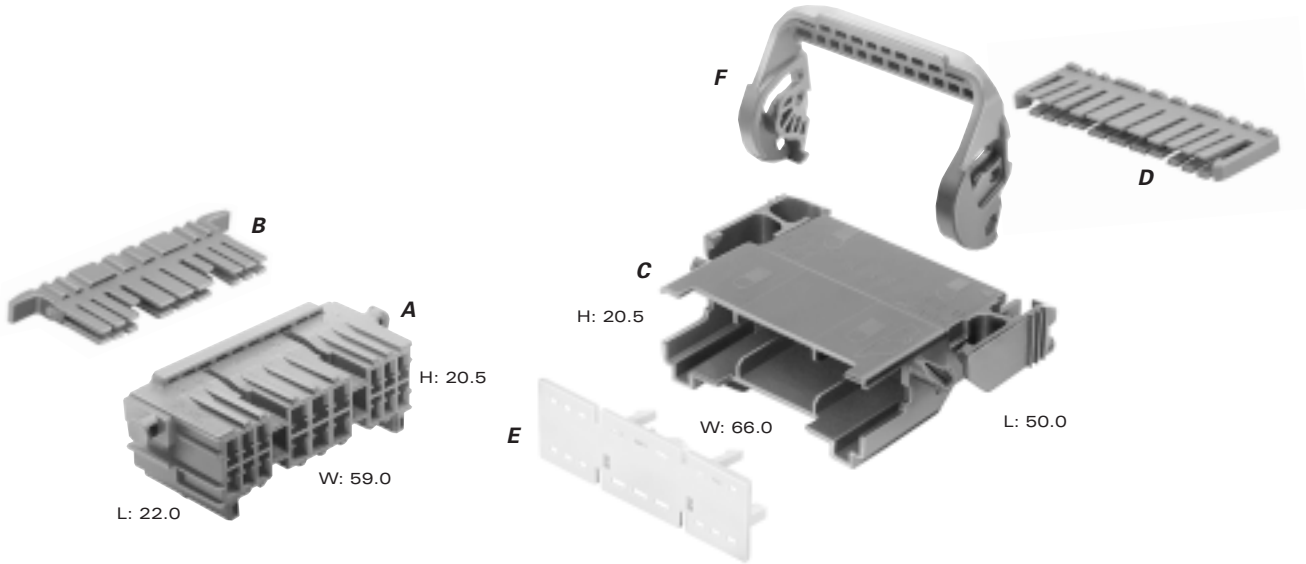
GT MALE LEVER LOCK CONNECTORS UNSEALED

# Cavities	Connector	Color	Material	TPA	Stabilizer	Lever Lock
18	15336468	Black	PA66 HS IM	15304695	15418982	15317550
22	15317322	Lt. Gray	PA66 HS IM	15317323	15418983	15317321
30	15326762	Black	PA66 HS IM	15304912	15418984	15326799
40	15336417	Black	PA66 HS IM	15304841	15326177	15336387

SECTION NOTES:

- Contact your regional support representative at the number listed below.
- Due to rigid tolerances of connector cavities, it is critical to meet all crimp dimensions as specified.
- Special consideration must be used when applying terminals 15304713 and 15304725 due to cavity space limitations.

<http://delphi.com/products/connect>



Total Mated Length: 63.8mm

**A PART NO: 15304692 (Black)
15304690 (Md. Gray)**
DESCRIPTION: Connector 18F
SIZE: 22.0L x 20.5H x 59.0W
MATERIAL: PA66 HS IM
TERMINALS: See Page 40

**C PART NO: 15336468 (Black)
15336467 (Md. Gray)**
DESCRIPTION: Connector 18M
SIZE: 50.0L x 20.5H x 66.0W
MATERIAL: PA66 HS IM
TERMINALS: See Page 41
CLIP: 12084149

B PART NO: 15304694
DESCRIPTION: TPA
COLOR: Blue
MATERIAL: PBT

D PART NO: 15304695
DESCRIPTION: TPA
COLOR: Blue
MATERIAL: PBT

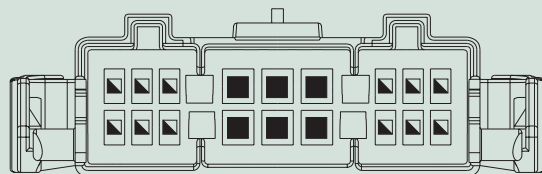
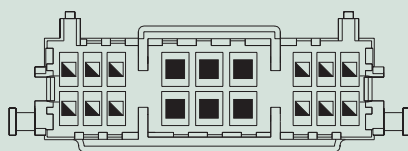
E PART NO: 15418982
DESCRIPTION: Stabilizer
COLOR: Natural
MATERIAL: PA66 HS IM

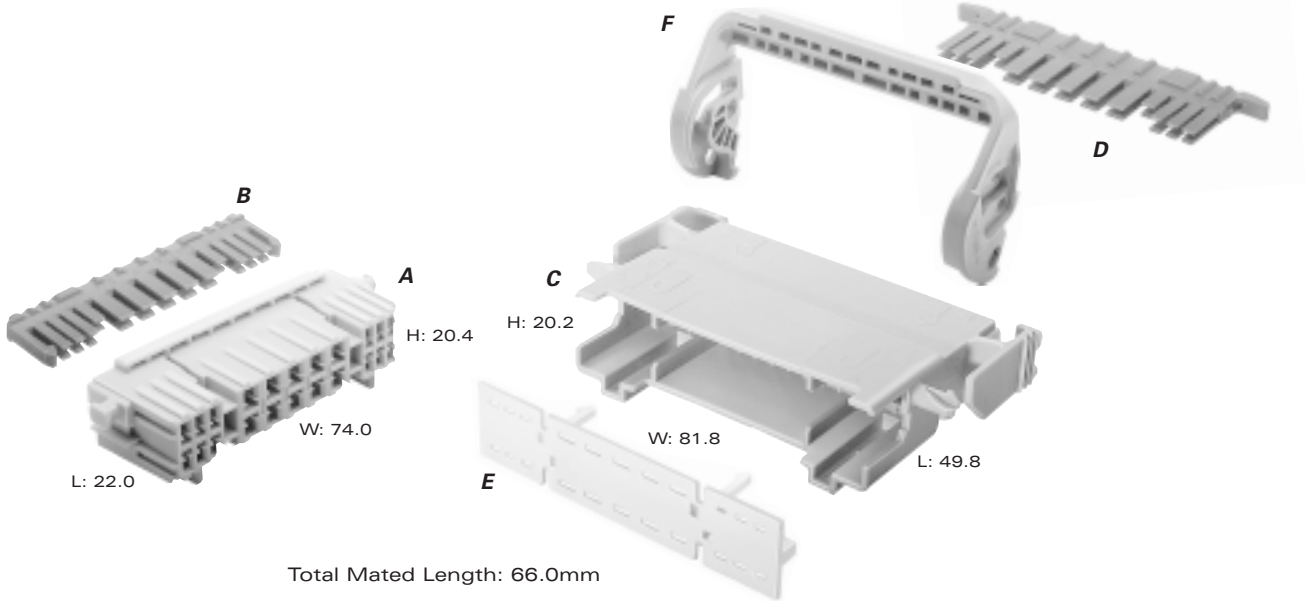
F PART NO: 15317550
DESCRIPTION: Lever Lock
COLOR: Purple
MATERIAL: PA66 HS IM

KEY:

- ▣ 150 SERIES
- 280 SERIES

Mixed connectors feature a combination of different terminal cavities, as indicated by the key.





Total Mated Length: 66.0mm

A PART NO: **15317325 (Lt. Gray)**
15326063 (Md. Gray)
 DESCRIPTION: Connector 22F
 SIZE: 22.0L x 20.4H x 74.0W
 MATERIAL: PA66 HS IM
 TERMINALS: See Page 40

B PART NO: **15317326**
 DESCRIPTION: TPA
 COLOR: Blue
 MATERIAL: PBT

C PART NO: **15317322 (Lt. Gray)**
15326064 (Md. Gray)
 DESCRIPTION: Connector 22M
 SIZE: 49.8L x 20.2H x 81.8W
 MATERIAL: PA66 HS IM
 TERMINALS: See Page 41
 CLIP: 12110290

D PART NO: **15317323**
 DESCRIPTION: TPA
 COLOR: Blue
 MATERIAL: PBT

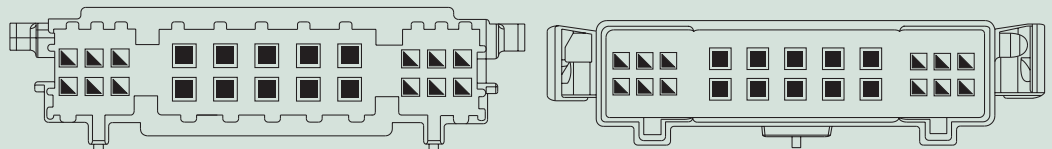
E PART NO: **15418983**
 DESCRIPTION: Stabilizer
 COLOR: Natural
 MATERIAL: PA66 HS IM

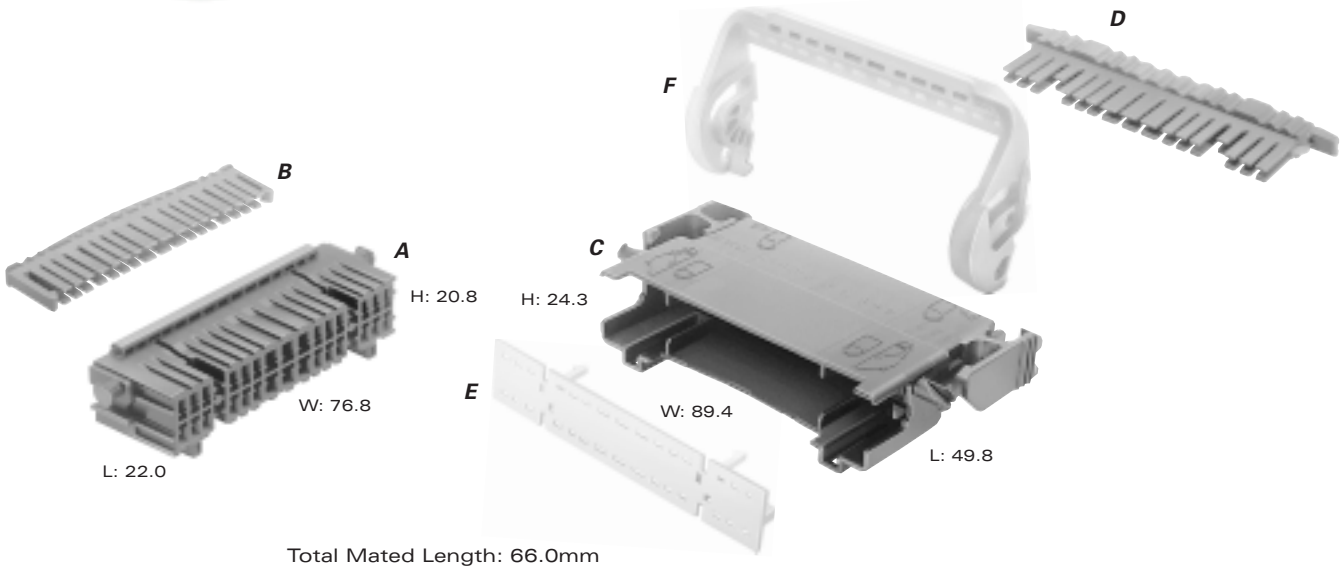
F PART NO: **15317321**
 DESCRIPTION: Lever Lock
 COLOR: Blue
 MATERIAL: PA66 HS IM

KEY:

- ▣ 150 SERIES
- 280 SERIES

Mixed connectors feature a combination of different terminal cavities, as indicated by the key.





A PART NO: 15304908
 DESCRIPTION: Connector 30F
 SIZE: 22.0L x 20.8H x 76.8W
 COLOR: Black
 MATERIAL: PA66 HS IM
 TERMINALS: See Page 40

C PART NO: 15326762
 DESCRIPTION: Connector 30M
 SIZE: 49.8L x 24.3H x 89.4W
 COLOR: Black
 MATERIAL: PA66 HS IM
 TERMINALS: See Page 41

B PART NO: 15304913
 DESCRIPTION: TPA
 COLOR: Blue
 MATERIAL: PBT

D PART NO: 15304912
 DESCRIPTION: TPA
 COLOR: Blue
 MATERIAL: PBT

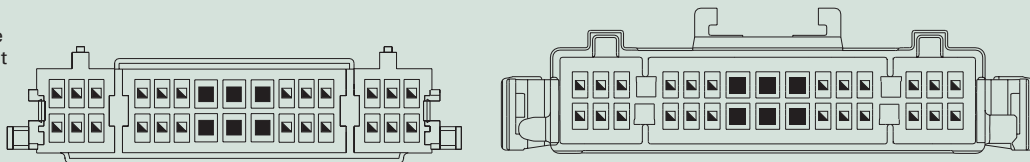
E PART NO: 15418984
 DESCRIPTION: Stabilizer
 COLOR: Natural
 MATERIAL: PA66 HS IM

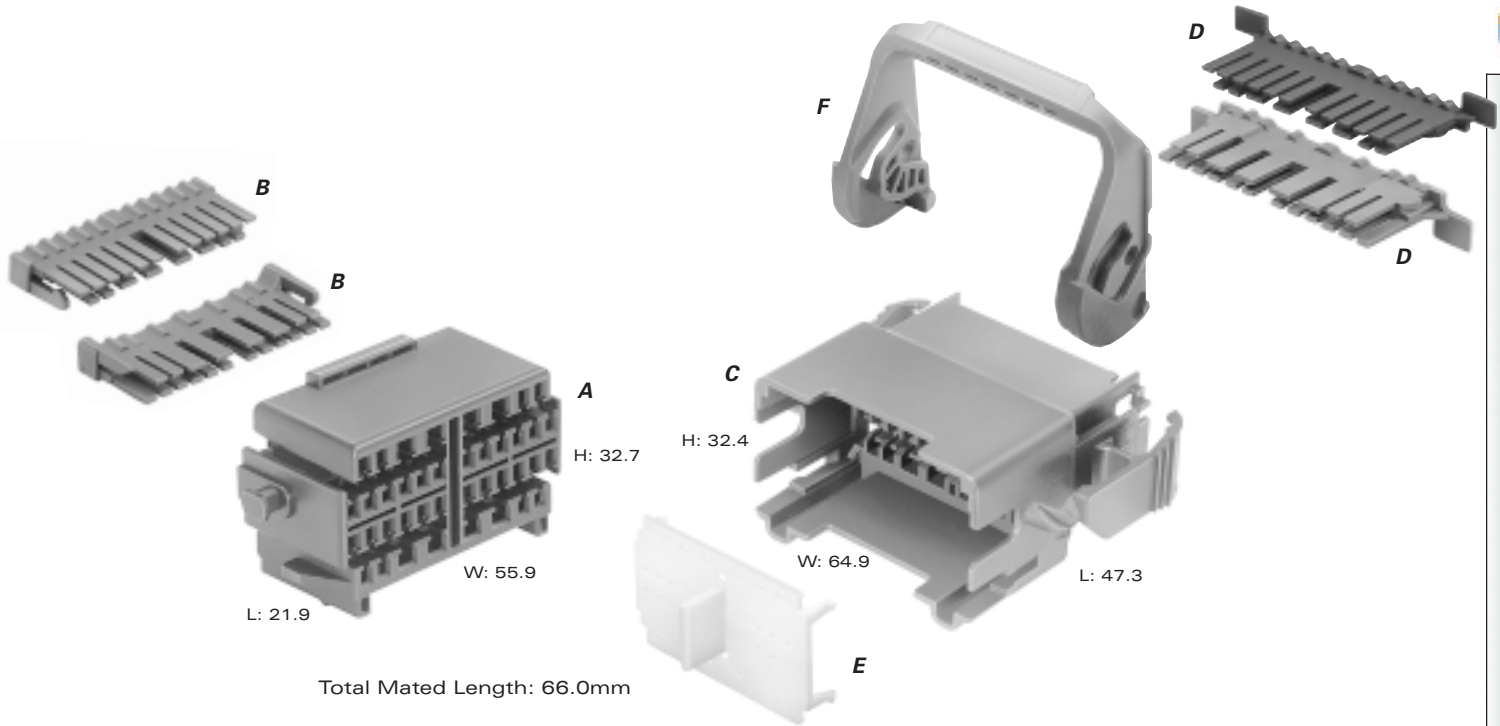
F PART NO: 15326799
 DESCRIPTION: Lever Lock
 COLOR: Natural
 MATERIAL: PA66 HS IM 14% GF

KEY:

- 150 SERIES
- 280 SERIES

Mixed connectors feature a combination of different terminal cavities, as indicated by the key.





A PART NO: 15359287 (Black)
15393744 (Gray)
DESCRIPTION: Connector 40F
SIZE: 21.9L x 32.7H x 55.9W
MATERIAL: PA66 HS IM
TERMINALS: See Page 40

C PART NO: 15336417 (Black)
15305216 (Gray)
DESCRIPTION: Connector 40M
SIZE: 47.3L x 32.4H x 64.9W
MATERIAL: PA66 HS IM
TERMINALS: See Page 41

B PART NO: 15304842
DESCRIPTION: TPA
NUMBER REQ.: 2
COLOR: Blue
MATERIAL: PBT

D PART NO: 15304841
DESCRIPTION: TPA
NUMBER REQ.: 2
COLOR: Blue
MATERIAL: PBT

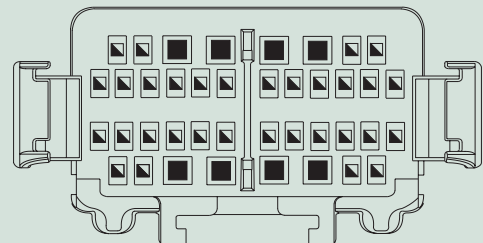
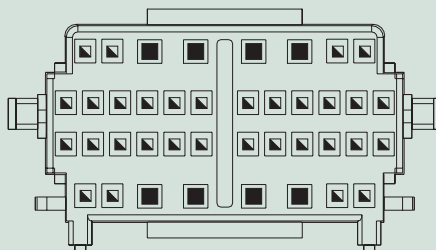
E PART NO: 15326177
DESCRIPTION: Stabilizer
COLOR: Natural
MATERIAL: PA66 HS IM

F PART NO: 15336387
DESCRIPTION: Lever Lock
COLOR: Natural
MATERIAL: PA66 HS IM 14% GF

KEY:

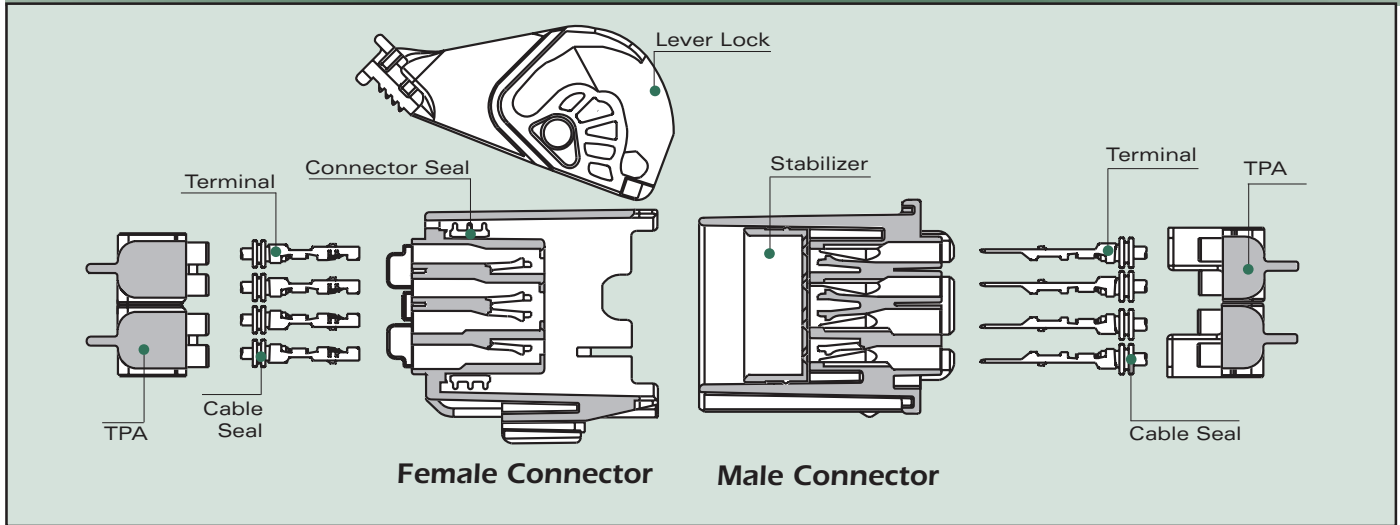
- 150 SERIES
- 280 SERIES

Mixed connectors feature a combination of different terminal cavities, as indicated by the key.





Cross Sectional View



GT 150 FEMALE TERMINALS SEALED

Part #	Cable Range (mm ²)	Material	Plating
12191818	0.50-0.35	Tin Brass	Tin
12191819	1.00-0.75	Tin Brass	Tin

GT 280 FEMALE TERMINALS SEALED

Part # Dia. 5.2 (mm)	Part # Dia. 5.8 (mm)	Cable Range (mm ²)	Material	Plating
15304715	15304718	0.50-0.35	Tin Brass	Tin
15304716	15304719	1.00-0.75	Tin Brass	Tin
15304717	-	2.00-1.50	Tin Brass	Tin
-	15304720	3.00-1.50	Tin Brass	Tin
-	15326004	5.00-4.00	Beryllium Copper	Tin

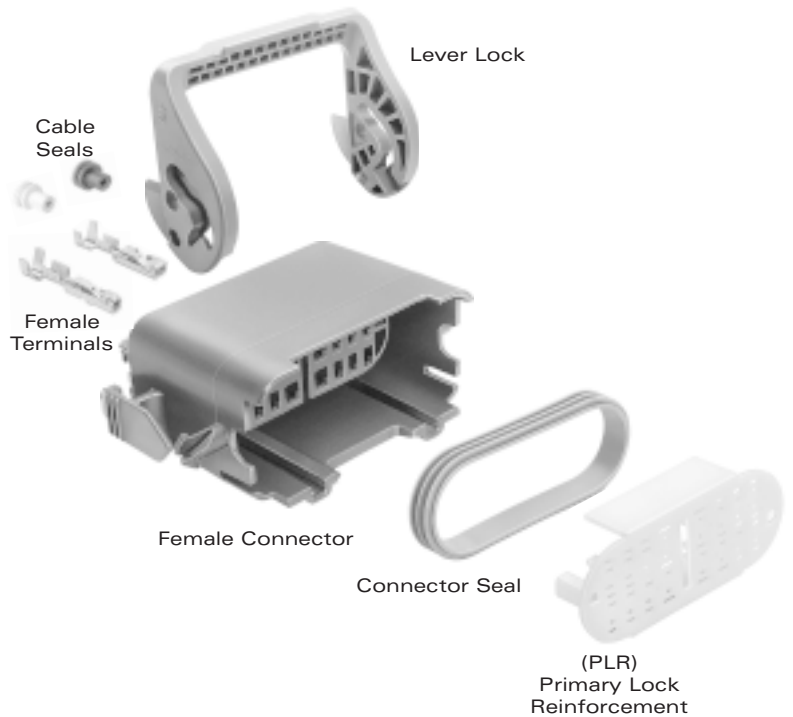


GT 150 CABLE SEALS

Reel Part #	Loose Part #	Cable Diameter	Material	Color
12191152	15366021	1.20-1.85	Silicone	White
12191153	15366060	1.86-2.25	Silicone	Blue

GT 280 CABLE SEALS

	Reel Part #	Loose Part #	Cable Diameter	Material	Color
280 5.8mm	12191221	15366065	1.20-1.85	Silicone	Orange
	12191222	15366066	1.86-2.25	Silicone	Yellow
	12191223	15366067	2.50-3.20	Silicone	Tan
	-	12191235	3.40-3.90	Silicone	Purple
280 5.2mm	12191156	15366063	1.20-1.85	Silicone	Gray
	12191157	15366064	1.86-2.25	Silicone	Purple
	12191154	15366061	2.09-2.66	Silicone	Dk. Red



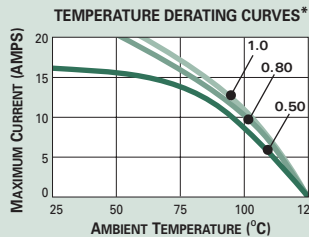
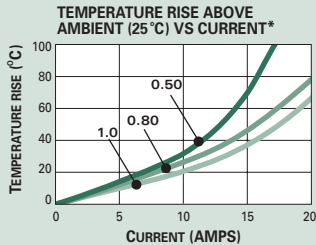
GT FEMALE LEVER LOCK CONNECTORS SEALED

# Cavities	Connector	Color	Material	PLR	TPA	Connector	
						Seal	Lever Lock
24	15366099	Black	PA6 10%GF & 20%GB	15373422	-	15336177	15369322
38	15336418	Black	PA66 HS IM	-	15304904	15304905	15336267



Sealed System Application Information

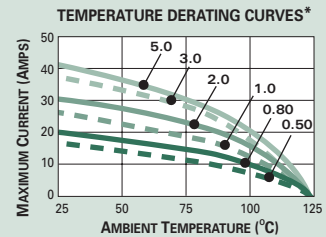
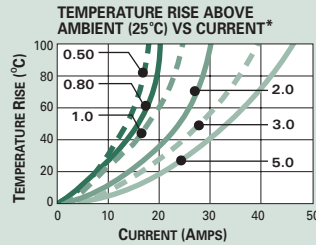
GT 150 SERIES TERMINALS-Tin Plated



CABLE RANGE (mm²): 0.35-1.0
 CURRENT RANGE (AMPS): 0-15
 TEMP RANGE °C: -40 to 125
 RESISTANCE: <10mΩ@20mV

VOLTAGE DROP: <10.0mV/amp
 CENTERLINE SPACING (mm): 4.5
 BLADE WIDTH (mm): 1.5

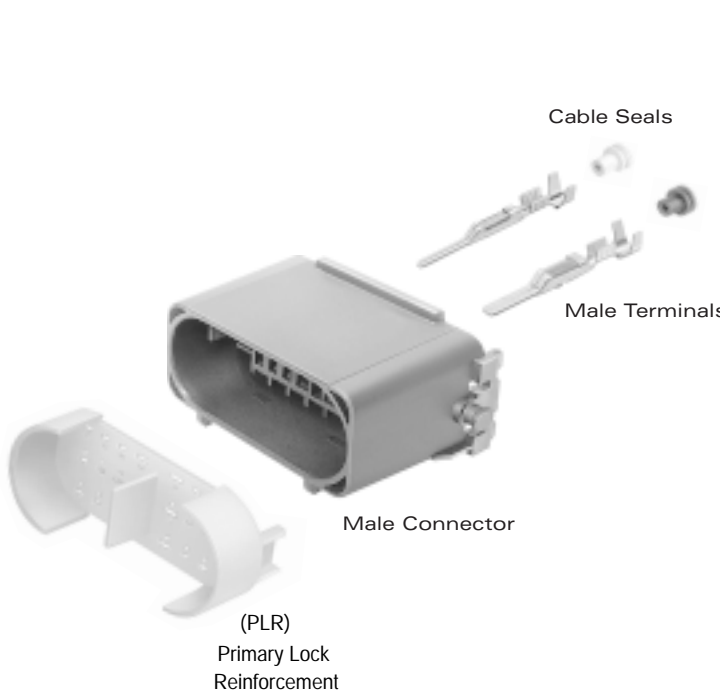
280 SERIES TERMINALS - Tin Plated



CABLE RANGE (mm²): 0.35-5.0
 CURRENT RANGE (AMPS): 0-25
 TEMP RANGE °C: -40 to 125
 RESISTANCE: <10mΩ@20mV

VOLTAGE DROP: <4.0mV/amp
 CENTERLINE SPACING (mm): 6.5
 BLADE WIDTH (mm): 2.8

* The test data are based on single circuits in free space and were generated using a "Lumped Resistance" model. This model does not account for all of the variables that would be present in an actual application. For actual product performance, contact your regional support representative at the number listed below.



GT 150 MALE TERMINALS SEALED

Part #	Cable Range (mm ²)	Material	Plating
15326268	0.50-0.35	Tin Brass	Tin
15326269	1.00-0.75	Tin Brass	Tin

GT 280 MALE TERMINALS SEALED

Part #	Part #	Cable Range (mm ²)	Material	Plating
Dia. 5.2 (mm)	Dia. 5.8 (mm)			
15304727	15304730	0.50-0.35	Tin Brass	Tin
15304728	15304731	1.00-0.75	Tin Brass	Tin
-	15304732	3.00-1.50	Tin Brass	Tin
15304729	-	2.00-1.50	Tin Brass	Tin

GT 150 CAVITY PLUG*

Part #	Cavity Diameter	Material	Color
15305171	4.0mm	Silicone	Green

*Cavity plugs seal unused female and male cavities.

GT 280 CAVITY PLUG*

Part #	Cavity Diameter	Material	Color
12059168	5.2mm	Silicone	Dk. Red
15305170	5.8mm	Silicone	White

*Cavity plugs seal unused female and male cavities.

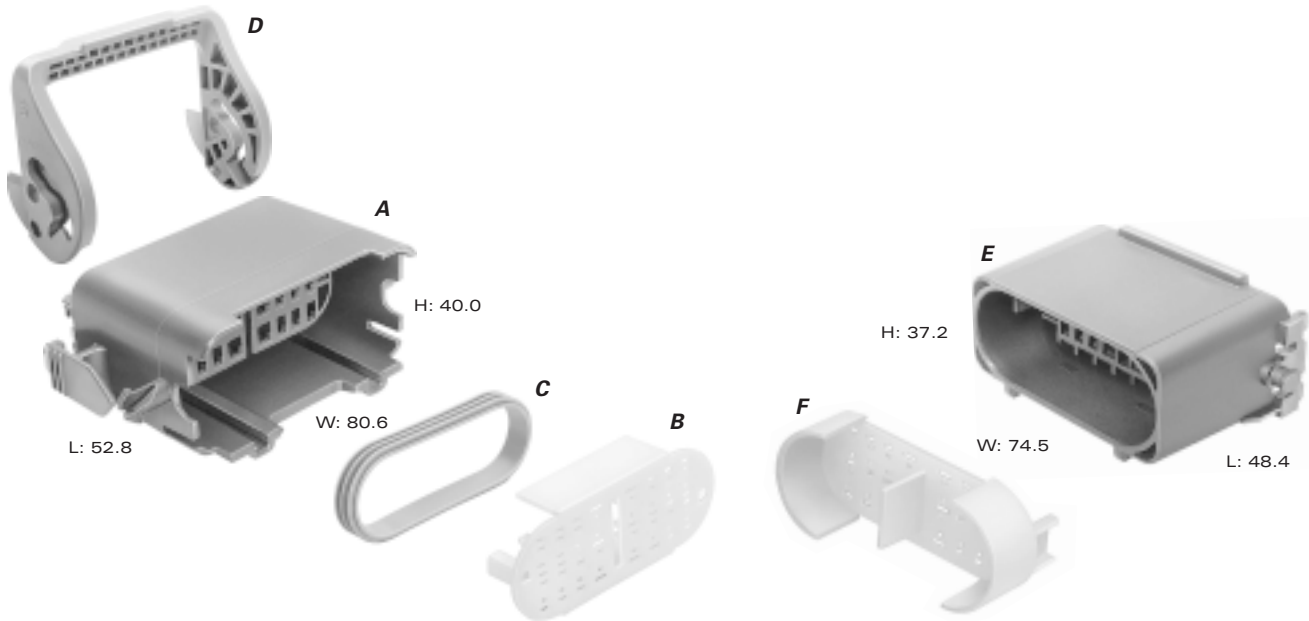
GT MALE LEVER LOCK CONNECTORS SEALED

# Cavities	Connector	Color	Material	PLR	TPA	Stabilizer
24	15336173	Black	PA66 HS IM 14% GF	15355131	-	-
38	15317380	Black	PA66 HS IM	-	15304903	15304902

SECTION NOTES:

- Contact your regional support representative at the number listed below.
- Due to rigid tolerances of connector cavities, it is critical to meet all crimp dimension as specified.

<http://delphi.com/products/connect>



Total Mated Length: 72.0mm

A PART NO: 15366099
 DESCRIPTION: Connector 24F
 SIZE: 52.8L x 40.0H x 80.6W
 COLOR: Black
 MATERIAL: PA6 10%GF & 20% GB
 TERMINALS: See Page 46
 SEALS/PLUGS: See Page 46, 47

E PART NO: 15336173
 DESCRIPTION: Connector 24M
 SIZE: 48.4L x 37.2H x 74.5W
 COLOR: Black
 MATERIAL: PA66 HS IM 14% GF
 TERMINALS: See Page 47
 SEALS/PLUGS: See Page 46, 47

B PART NO: 15373422
 DESCRIPTION: PLR
 COLOR: Natural
 MATERIAL: PA66 HS IM

F PART NO: 15373421
 DESCRIPTION: PLR
 COLOR: Md. Gray
 MATERIAL: PA66 HS IM

C PART NO: 15336177
 DESCRIPTION: Connector Seal
 COLOR: Green
 MATERIAL: Silicone

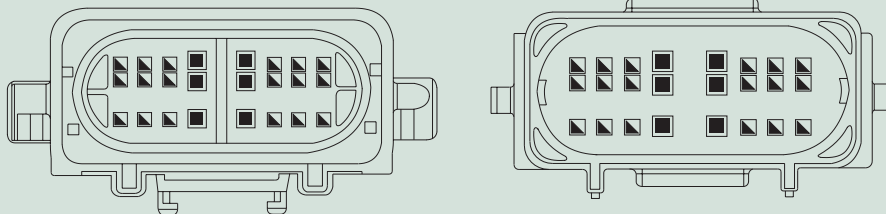
D PART NO: 15369322
 DESCRIPTION: Lever Lock
 COLOR: Md. Gray
 MATERIAL: PA66 HS IM

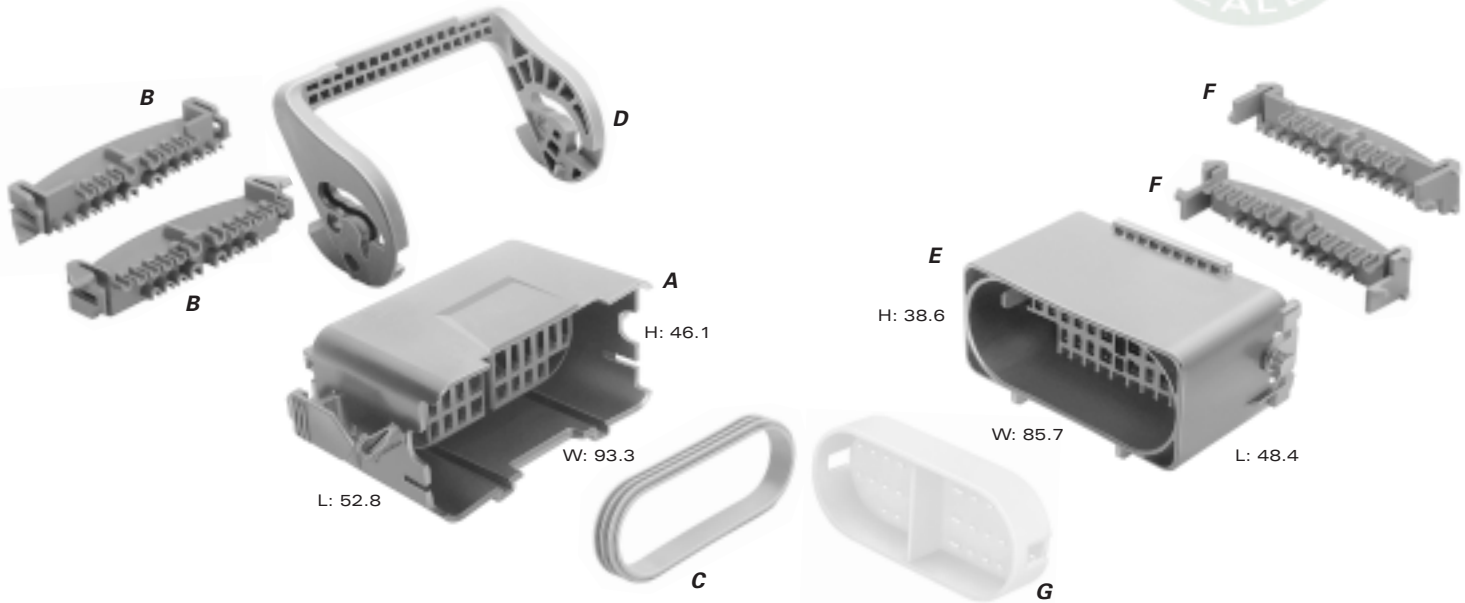
KEY:

- ▣ 150 SERIES
- 280 SERIES

Mixed connectors feature a combination of different terminal cavities, as indicated by the key.

System Note:
 For 280 Series sealed cavities use 5.8mm cavity diameter terminals and seals from pages 46 and 47.





Total Mated Length: 91.1mm

A PART NO: 15336418
 DESCRIPTION: Connector 38F
 SIZE: 52.8L x 46.1H x 93.3W
 COLOR: Black
 MATERIAL: PA66 HS IM
 TERMINALS: See Page 46
 SEALS/PLUGS: See Page 46, 47

E PART NO: 15317380
 DESCRIPTION: Connector 38M
 SIZE: 48.4L x 38.6H x 85.7W
 COLOR: Black
 MATERIAL: PA66 HS IM
 TERMINALS: See Page 47
 SEALS/PLUGS: See Page 46, 47
 CLIP: 12084149

B PART NO: 15304904
 DESCRIPTION: TPA
 NUMBER REQ.: 2
 COLOR: Lt. Gray
 MATERIAL: PBT

F PART NO: 15304903
 DESCRIPTION: TPA
 NUMBER REQ.: 2
 COLOR: Lt. Gray
 MATERIAL: PBT

C PART NO: 15304905
 DESCRIPTION: Connector Seal
 COLOR: Green
 MATERIAL: Silicone

G PART NO: 15304902
 DESCRIPTION: Stabilizer
 COLOR: Natural
 MATERIAL: PA66 HS IM

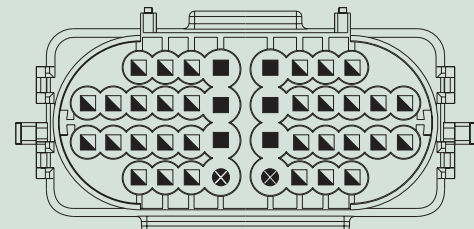
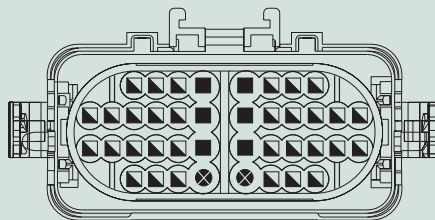
D PART NO: 15336267
 DESCRIPTION: Lever Lock
 COLOR: Dk. Gray
 MATERIAL: PA66 HS IM 14% GF

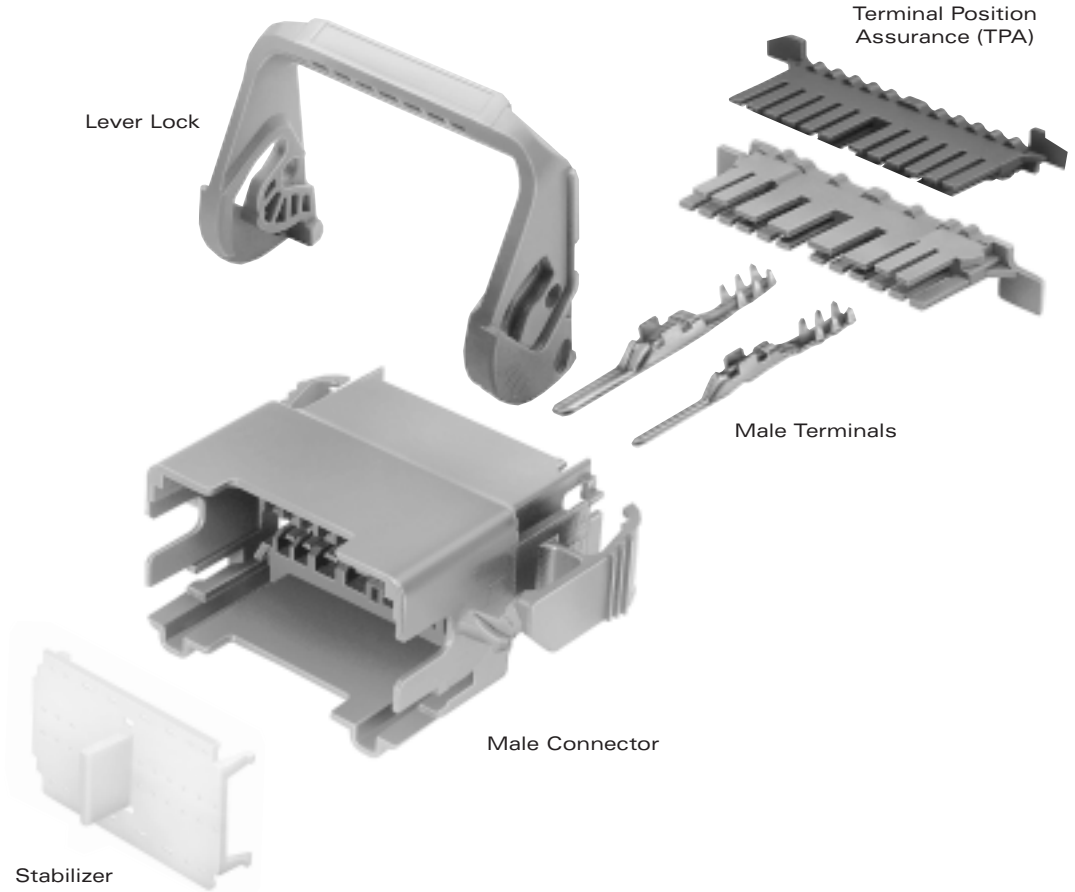
KEY:

- ▣ 150 SERIES
- 280 SERIES
- ⊗ Blocked Cavity

Mixed connectors feature a combination of different terminal cavities, as indicated by the key.

System Note:
 For 280 Series sealed cavities use 5.2mm cavity diameter terminals and seals from pages 46 and 47.





GT MALE LEVER LOCK CONNECTORS UNSEALED

# Cavities	Connector	Color	Material	TPA	Stabilizer	Lever Lock
30	15317735	Brown	PA66 HS IM	15317828	15418984	15326799
40	15317694	Brown	PA66 HS IM	15355380	15326177	15336387

GT 150 MALE TERMINALS UNSEALED

Part #	Material	Plating
15317814	Tin Brass	Tin

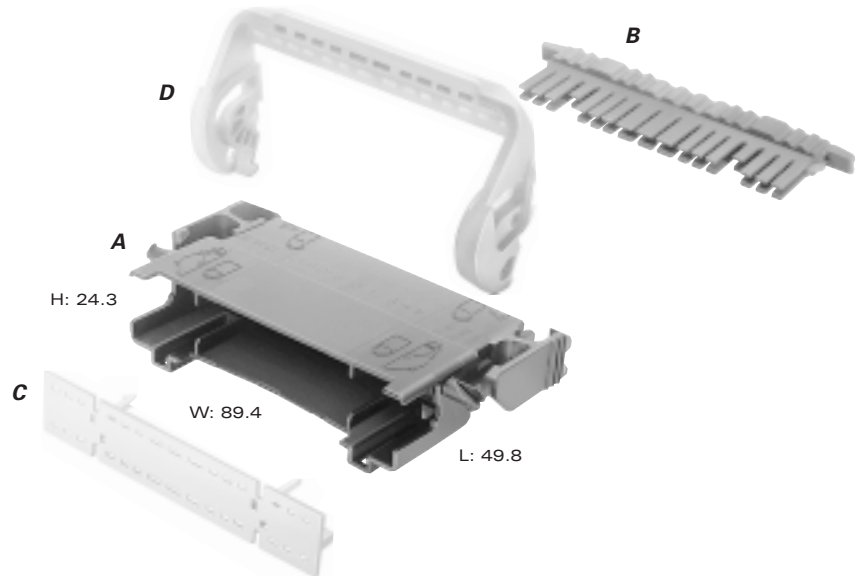
GT 280 MALE TERMINALS UNSEALED

Part #	Material	Plating
15317815	Tin Brass	Tin

SECTION NOTES:

- Contact your regional support representative at the number listed below.
- Flex Circuit Systems mate to conventional female connection systems.

<http://delphi.com/products/connect>



SYSTEM NOTES:

- Conventional mating connector
15305216 (Female) Brown
- 15304913 (TPA) Blue
- Terminals See Page 40.

A PART NO: 15317735
 DESCRIPTION: Connector 30M
 SIZE: 49.8L x 24.3H x 89.4W
 COLOR: Brown
 MATERIAL: PA66 HS IM
 TERMINALS: See Page 50

B PART NO: 15317828
 DESCRIPTION: TPA
 COLOR: Green
 MATERIAL: PBT

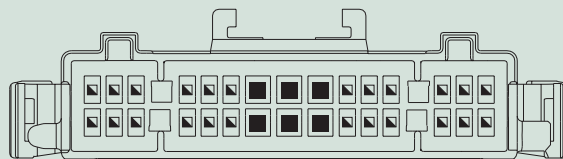
C PART NO: 15418984
 DESCRIPTION: Stabilizer
 COLOR: Natural
 MATERIAL: PA66 HS IM

D PART NO: 15326799
 DESCRIPTION: Lever Lock
 COLOR: Natural
 MATERIAL: PA66 HS IM 14% GF

KEY:

- 150 SERIES
- 280 SERIES

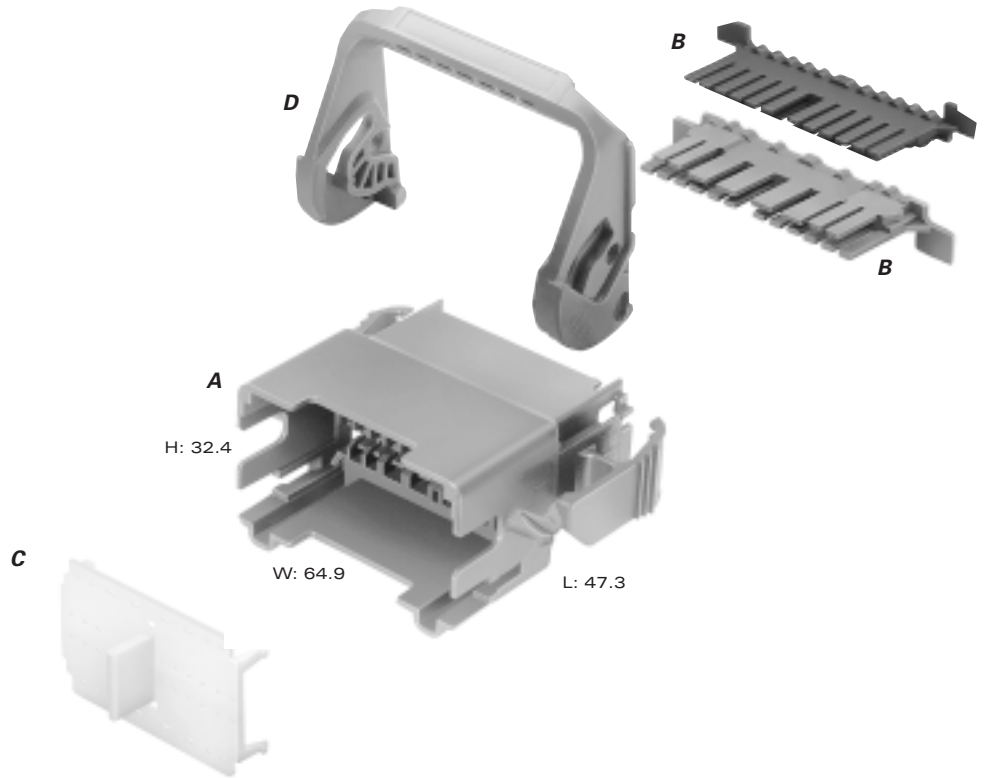
Mixed connectors feature a combination of different terminal cavities, as indicated by the key.





LEVER LOCK

FLEXIBLE PRINTED CIRCUIT APPLICATION



SYSTEM NOTES:

- Conventional mating connector 15305218 (Female) Brown
15304342 (TPA) Blue
- Terminals See Page 40.

A PART NO: 15317694
 DESCRIPTION: Connector 40M
 SIZE: 47.3L x 32.4H x 64.9W
 COLOR: Brown
 MATERIAL: PA66 HS IM
 TERMINALS: See Page 50

B PART NO: 15355380
 DESCRIPTION: TPA
 NUMBER REQ.: 2
 COLOR: Green
 MATERIAL: PBT HM IS

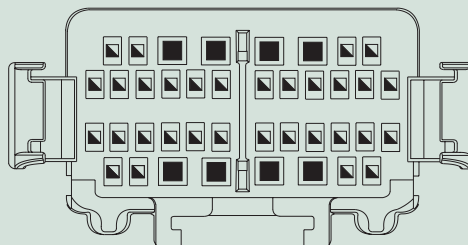
C PART NO: 15326177
 DESCRIPTION: Stabilizer
 COLOR: Natural
 MATERIAL: PA66 HS IM

D PART NO: 15336387
 DESCRIPTION: Lever Lock
 COLOR: Natural
 MATERIAL: PA66 HS IM 14% GF

KEY:

- 150 SERIES
- 280 SERIES

Mixed connectors feature a combination of different terminal cavities, as indicated by the key.



Metri-Pack Series

METRI-PACK SERIES 150



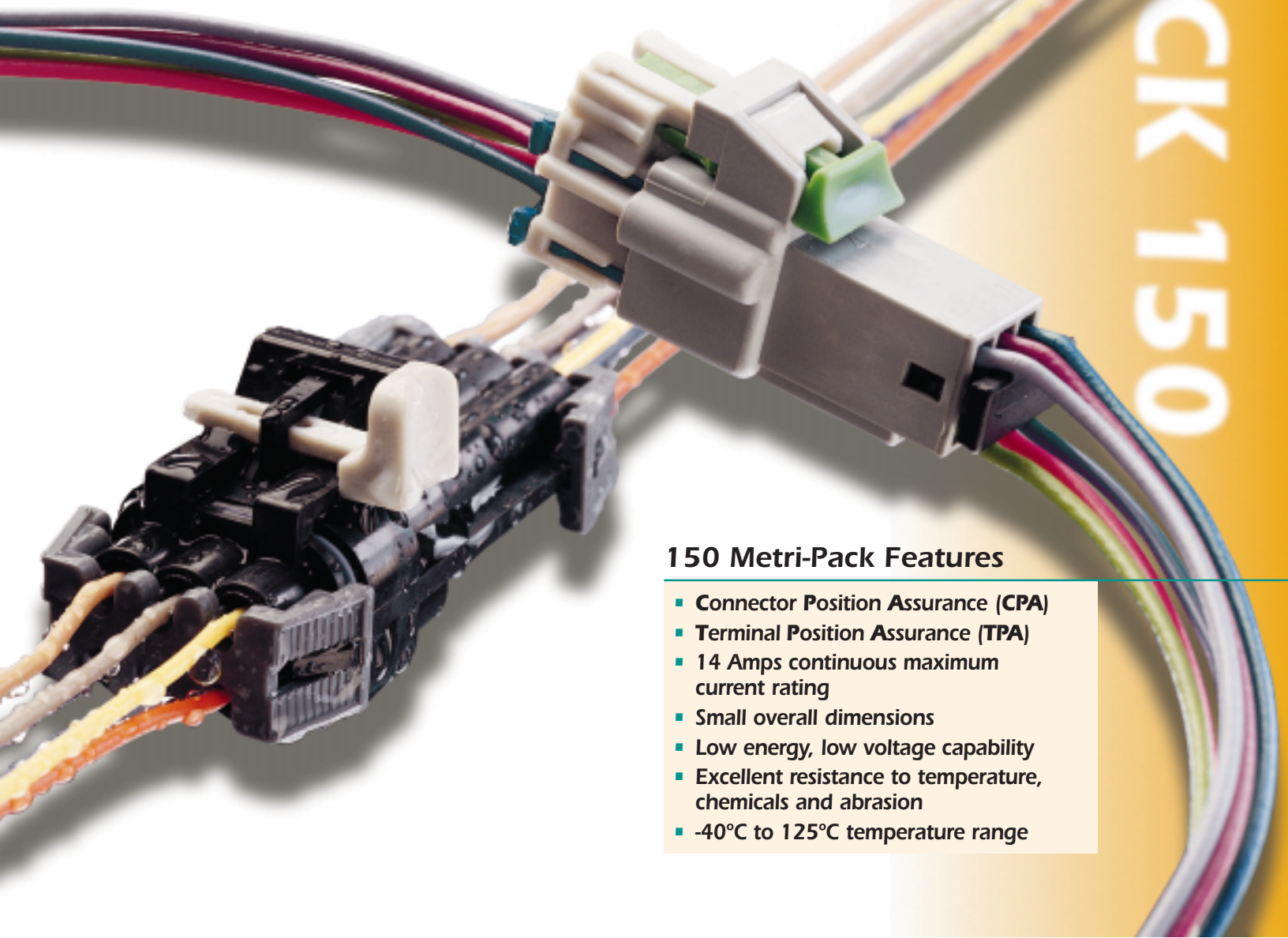
Available in device and in-line connections for vehicle applications, Metri-Pack 150 Series connectors can meet or exceed the requirements for most marine, appliance, and industrial control applications.

Ideally suited for limited space applications that do not require environmental protection, Metri-Pack 150 Series products are extremely versatile.



Available in device and in-line connections for underhood vehicle applications, Metri-Pack 150 Series sealed connectors can meet or exceed the requirements for most marine, appliance, and industrial control applications.

Utilizing triple-rib peripheral silicone rubber seals, Metri-Pack 150 Series sealed systems are ideally suited for critical, low-energy electronic applications that require protection from environmental hazards.



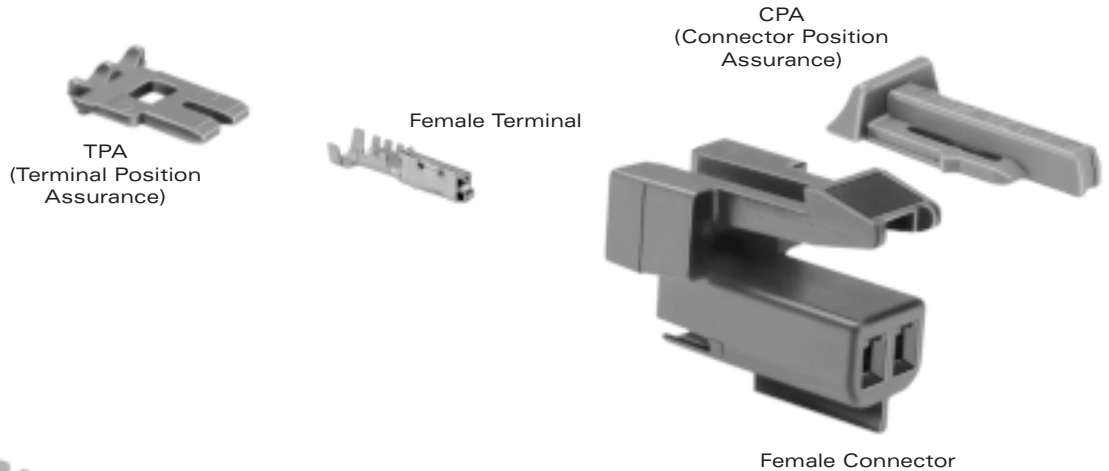
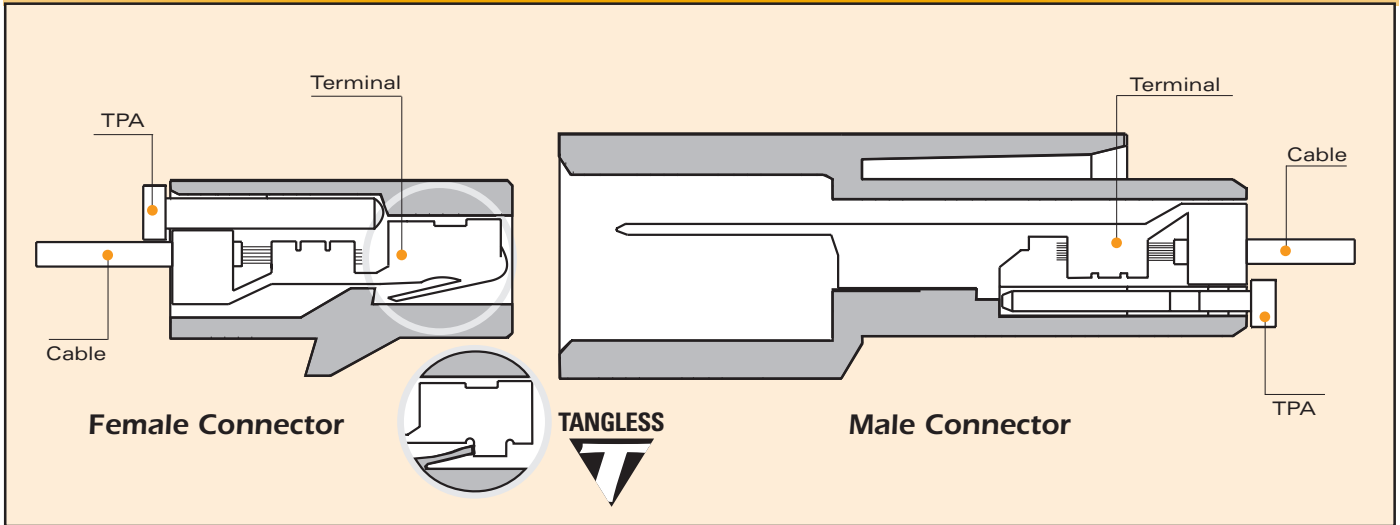
METRI-PACK 150

150 Metri-Pack Features

- Connector Position Assurance (CPA)
- Terminal Position Assurance (TPA)
- 14 Amps continuous maximum current rating
- Small overall dimensions
- Low energy, low voltage capability
- Excellent resistance to temperature, chemicals and abrasion
- -40°C to 125°C temperature range



Cross Sectional View



150 FEMALE TERMINALS UNSEALED

Part #	Cable Range (mm ²)	Material	Plating
12047767	1.0-0.80	Silicon Bronze	Tin
12064971	0.50-0.35	Silicon Bronze	Tin

150 FEMALE CONNECTORS UNSEALED

# Cavities	Connector	Color	Material	TPA
1	12047682	Black	PA66 HS IM	-
2	12047662	Black	PA66 HS IM	12047664
2	12052832	Black	PA66 HS IM	12047664
3	12047781	Black	PA66 HS IM	12047783
3	12064758	Black	PA66 HS IM	12047783
4	12047785	Black	PA66 HS IM	12047664
4	12064760	Black	PA66 HS IM	12047664
4	12092162	Black	PA66 HS IM	12092164
6	12064762	Gray	PBT	12064764
8	12047886	Black	PA66 HS IM	12045689
8	12064766	Blue	PBT	12064768
10	12064769	Natural	PBT	12064771

TANGLESS



150 TANGLESS FEMALE TERMINALS UNSEALED

Part #	Cable Range (mm ²)	Material	Plating
12129484	1.0-0.80	Silicon Bronze	Tin
12129373	0.5-0.35	Silicon Bronze	Tin

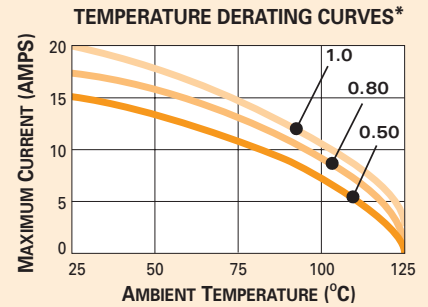
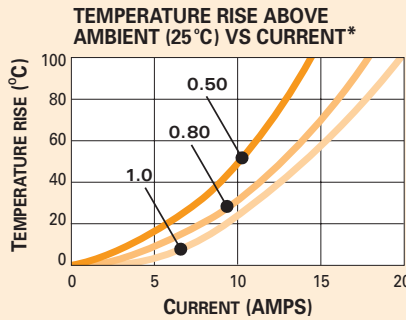
<http://delphi.com/products/connect>



Unsealed System Application Information

CABLE RANGE (mm²): 0.35-1.0
CURRENT RANGE (AMPS): 0-14
TEMP RANGE °C: -40 to 125
RESISTANCE: <10mΩ@20mV
VOLTAGE DROP: <10.0 mV/amp
CENTERLINE SPACING (mm): 3.5
BLADE WIDTH (mm): 1.5

150 SERIES TERMINALS-Tin Plated



*The test data are based on single circuits in free space and were generated using a "Lumped Resistance" model. This model does not account for all of the variables that would be present in an actual application. For actual product performance, contact your regional support representative at the number listed below.



Male Connector

Male Terminal



TPA (Terminal Position Assurance)



150 MALE CONNECTORS UNSEALED

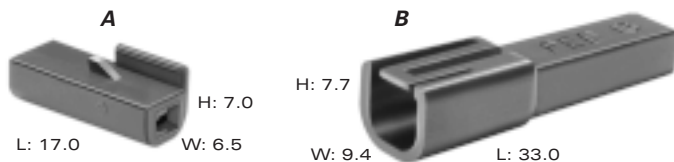
# Cavities	Connector	Color	Material	TPA
1	12047683	Black	PA66 HS IM	-
2	12047663	Black	PA66 HS IM	12047665
2	12052833	Black	PBT	12047665
3	12047782	Black	PA66 HS IM	12047784
3	12064759	Black	PBT	12047784
4	12047786	Black	PA66 HS IM	12047787
4	12064761	Black	PBT	12047787
4	12092163	Black	PA66 HS IM	12092164
6	12064763	Gray	PBT	12064765
8	12045688	Black	PA66 HS IM	12045690
8	12064767	Blue	PBT	12045690
10	12064770	Natural	PBT	12064772

150 MALE TERMINALS UNSEALED

Part #	Cable Range (mm ²)	Material	Plating
12047581	1.0-0.80	Tin Brass	Tin
12059894	0.50-0.35	Tin Brass	Tin

SECTION NOTES:

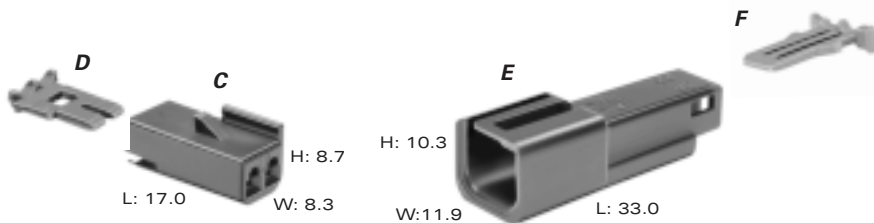
- Contact your regional support representative at the number listed below.
- Due to rigid tolerances of connector cavities, it is critical to meet all crimp dimensions as specified.
- Female connections for device applications, see page 74.



Total Mated Length: 38.1mm

A PART NO: **12047682**
 DESCRIPTION: Connector 1F
 SIZE: 17.0L x 7.0H x 6.5W
 COLOR: Black
 MATERIAL: PA66 HS IM
 TERMINALS: See Page 56

B PART NO: **12047683**
 DESCRIPTION: Connector 1M
 SIZE: 33.0L x 7.7H x 9.4W
 COLOR: Black
 MATERIAL: PA66 HS IM
 TERMINALS: See Page 57



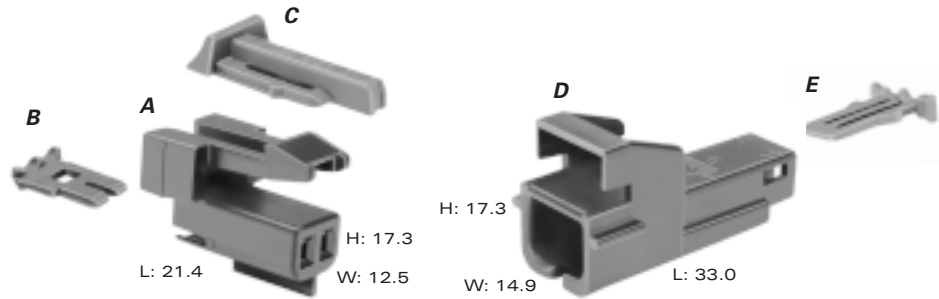
Total Mated Length: 41.0mm

C PART NO: **12047662 (Black)**
12059249 (Natural)
 DESCRIPTION: Connector 2F
 SIZE: 17.0L x 8.7H x 8.3W
 MATERIAL: PA66 HS IM
 TERMINALS: See Page 56

E PART NO: **12047663 (Black)**
12059250 (Natural)
 DESCRIPTION: Connector 2M (Clip Slot)
 SIZE: 33.0L x 10.3H x 11.9W
 MATERIAL: PA66 HS IM
 TERMINALS: See Page 57

D PART NO: **12047664**
 DESCRIPTION: TPA
 COLOR: Md. Gray
 MATERIAL: PA66 HS IM

F PART NO: **12047665**
 DESCRIPTION: TPA
 COLOR: Md. Gray
 MATERIAL: PA66 HS IM



Total Mated Length: 43.1mm

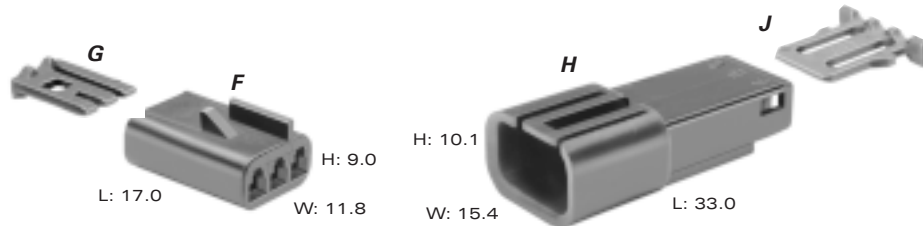
A PART NO: **12052832**
 DESCRIPTION: Connector 2F
 SIZE: 21.4L x 17.3H x 12.5W
 COLOR: Black
 MATERIAL: PA66 HS IM
 TERMINALS: See Page 56

D PART NO: **12052833**
 DESCRIPTION: Connector 2M (Clip Slot)
 SIZE: 33.0L x 17.3H x 14.9W
 COLOR: Black
 MATERIAL: PBT
 TERMINALS: See Page 57

B PART NO: **12047664**
 DESCRIPTION: TPA
 COLOR: Md. Gray
 MATERIAL: PA66 HS IM

E PART NO: **12047665**
 DESCRIPTION: TPA
 COLOR: Md. Gray
 MATERIAL: PA66 HS IM

C PART NO: **12052834**
 DESCRIPTION: CPA
 COLOR: Green
 MATERIAL: PP



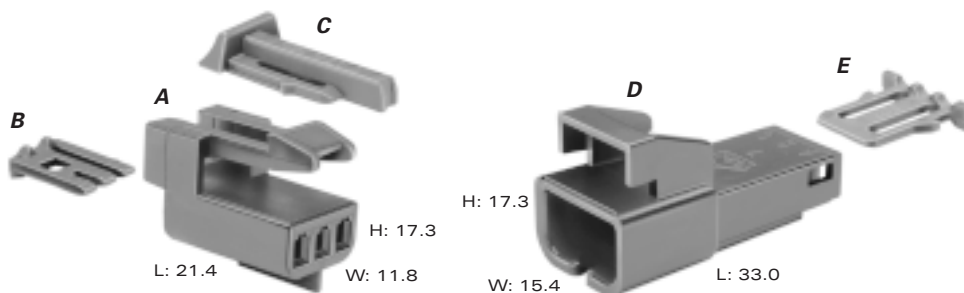
Total Mated Length: 41.3mm

F PART NO: **12047781**
 DESCRIPTION: Connector 3F
 SIZE: 17.0L x 9.0H x 11.8W
 COLOR: Black
 MATERIAL: PA66 HS IM
 TERMINALS: See Page 56

H PART NO: **12047782**
 DESCRIPTION: Connector 3M (Clip Slot)
 SIZE: 33.0L x 10.1H x 15.4W
 COLOR: Black
 MATERIAL: PA66 HS IM
 TERMINALS: See Page 57

G PART NO: **12047783**
 DESCRIPTION: TPA
 COLOR: Md. Gray
 MATERIAL: PA66 HS IM

J PART NO: **12047784**
 DESCRIPTION: TPA
 COLOR: Gray
 MATERIAL: PBT



Total Mated Length: 47.1mm

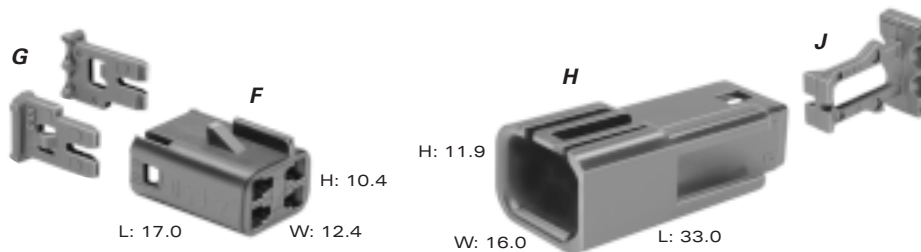
A PART NO: 12064758
 DESCRIPTION: Connector 3F
 SIZE: 21.4L x 17.3H x 11.8W
 COLOR: Black
 MATERIAL: PA66 HS IM
 TERMINALS: See Page 56

D PART NO: 12064759
 DESCRIPTION: Connector 3M (Clip Slot)
 SIZE: 33.0L x 17.3H x 15.4W
 COLOR: Black
 MATERIAL: PBT
 TERMINALS: See Page 57

B PART NO: 12047783
 DESCRIPTION: TPA
 COLOR: Md. Gray
 MATERIAL: PA66 HS IM

E PART NO: 12047784
 DESCRIPTION: TPA
 COLOR: Gray
 MATERIAL: PBT

C PART NO: 12052834
 DESCRIPTION: CPA
 COLOR: Green
 MATERIAL: PP



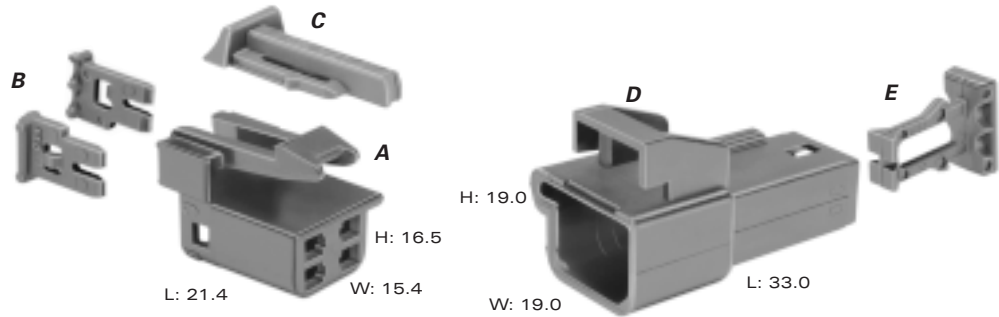
Total Mated Length: 42.2mm

F PART NO: 12047785
 DESCRIPTION: Connector 4F
 SIZE: 17.0L x 10.4H x 12.4W
 COLOR: Black
 MATERIAL: PA66 HS IM
 TERMINALS: See Page 56

H PART NO: 12047786
 DESCRIPTION: Connector 4M (Clip Slot)
 SIZE: 33.0L x 11.9H x 16.0W
 COLOR: Black
 MATERIAL: PA66 HS IM
 TERMINALS: See Page 57

G PART NO: 12047664
 DESCRIPTION: TPA
 NUMBER REQ: 2
 COLOR: Md. Gray
 MATERIAL: PA66 HS IM

J PART NO: 12047787
 DESCRIPTION: TPA
 COLOR: Blue
 MATERIAL: PBT



Total Mated Length: 47.9mm

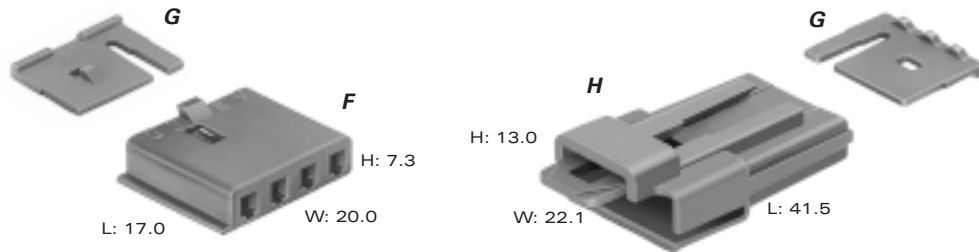
A PART NO: 12064760
 DESCRIPTION: Connector 4F
 SIZE: 21.4L x 16.5H x 15.4W
 COLOR: Black
 MATERIAL: PA66 HS IM
 TERMINALS: See Page 56

D PART NO: 12064761
 DESCRIPTION: Connector 4M (Clip Slot)
 SIZE: 33.0L x 19.0H x 19.0W
 COLOR: Black
 MATERIAL: PBT
 TERMINALS: See Page 57

B PART NO: 12047664
 DESCRIPTION: TPA
 NUMBER REQ: 2
 COLOR: Md. Gray
 MATERIAL: PA66 HS IM

E PART NO: 12047787
 DESCRIPTION: TPA
 COLOR: Blue
 MATERIAL: PBT

C PART NO: 12052834
 DESCRIPTION: CPA
 COLOR: Green
 MATERIAL: PP

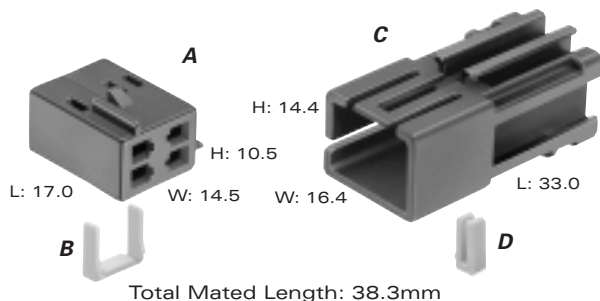


Total Mated Length: 43.3mm

F PART NO: 12092162
 DESCRIPTION: Connector 4F
 SIZE: 17.0L x 7.3H x 20.0W
 COLOR: Black
 MATERIAL: PA66 HS IM
 TERMINALS: See Page 56

H PART NO: 12092163
 DESCRIPTION: Connector 4M (Clip Slot)
 SIZE: 41.5L x 13.0H x 22.1W
 COLOR: Black
 MATERIAL: PA66 HS IM
 TERMINALS: See Page 57

G PART NO: 12092164
 DESCRIPTION: TPA
 NUMBER REQ: 2
 COLOR: Blue
 MATERIAL: PA6

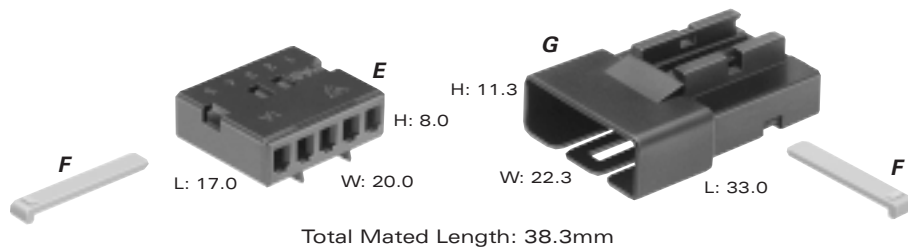


A PART NO: 12131283
 DESCRIPTION: Connector 4F
 SIZE: 17.0L x 10.5H x 14.5W
 COLOR: Black
 MATERIAL: PA66
 TERMINALS: See Page 56

C PART NO: 12131285
 DESCRIPTION: Connector 4M (Clip Slot)
 SIZE: 33.0L x 14.4H x 16.4W
 COLOR: Black
 MATERIAL: PA66
 TERMINALS: See Page 57

B PART NO: 12131361
 DESCRIPTION: Secondary Lock
 COLOR: Yellow
 MATERIAL: PA66 25% GF

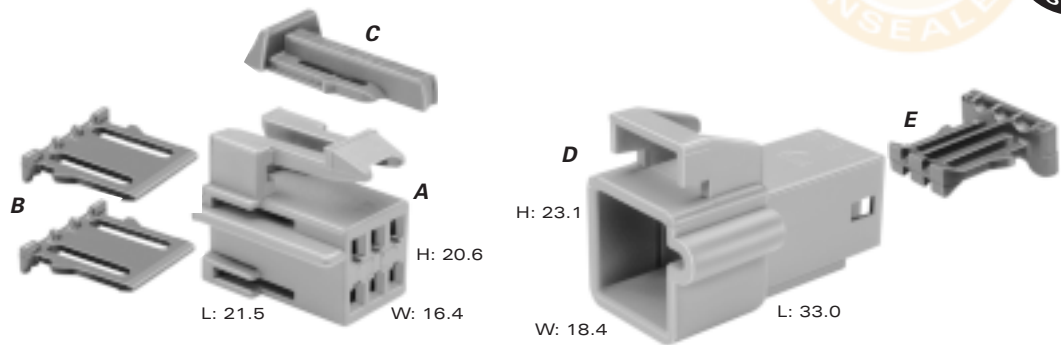
D PART NO: 12131372
 DESCRIPTION: Secondary Lock
 COLOR: Yellow
 MATERIAL: PA66 25% GF
 NOTE: M Clip-on Connector also available



E PART NO: 12147054
 DESCRIPTION: Connector 5F
 SIZE: 17.0L x 8.0H x 20.0W
 COLOR: Black
 MATERIAL: PA66
 TERMINALS: See Page 56

G PART NO: 12185636
 DESCRIPTION: Connector 5M (Clip Slot)
 SIZE: 33.0L x 11.3H x 22.3W
 COLOR: Black
 MATERIAL: PA66
 TERMINALS: See Page 57
 NOTE: Clip Version available

F PART NO: 12147055
 DESCRIPTION: Secondary Lock
 NUMBER REQ: 2
 COLOR: Yellow
 MATERIAL: PA66 25% GF



Total Mated Length: 50.1mm

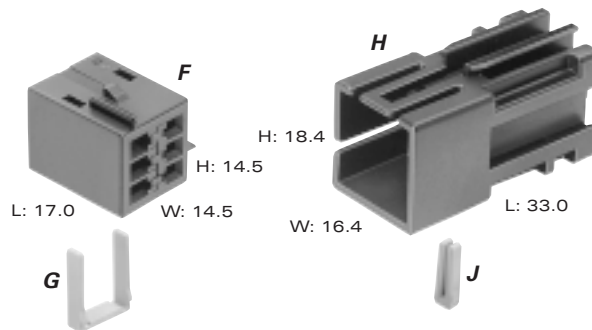
A PART NO: 12064762
 DESCRIPTION: Connector 6F
 SIZE: 21.5L x 20.6H x 16.4W
 COLOR: Gray
 MATERIAL: PBT
 TERMINALS: See Page 56

D PART NO: 12064763
 DESCRIPTION: Connector 6M (Clip Slot)
 SIZE: 33.0L x 23.1H x 18.4W
 COLOR: Gray
 MATERIAL: PBT
 TERMINALS: See Page 57

B PART NO: 12064764
 DESCRIPTION: TPA
 NUMBER REQ: 2
 COLOR: Blue
 MATERIAL: PBT

E PART NO: 12064765
 DESCRIPTION: TPA
 COLOR: Black
 MATERIAL: PBT

C PART NO: 12052834
 DESCRIPTION: CPA
 COLOR: Green
 MATERIAL: PP



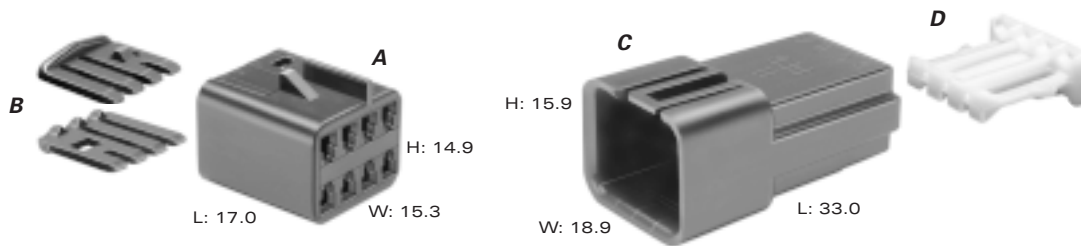
Total Mated Length: 38.3mm

F PART NO: 15396848
 DESCRIPTION: Connector 6F
 SIZE: 17.0L x 14.5H x 14.5W
 COLOR: Black
 MATERIAL: PA66
 TERMINALS: See Page 56

H PART NO: 15396849
 DESCRIPTION: Connector 6M
 SIZE: 33.0L x 18.4H x 16.4W
 COLOR: Black
 MATERIAL: PA66
 TERMINALS: See Page 57

G PART NO: 12131358
 DESCRIPTION: Secondary Lock
 COLOR: Yellow
 MATERIAL: PA66 25% GF

J PART NO: 12131370
 DESCRIPTION: Secondary Lock
 COLOR: Yellow
 MATERIAL: PA66 25% GF



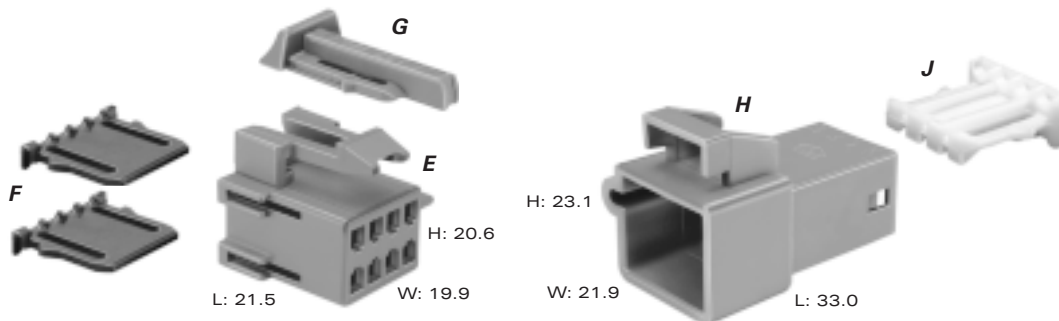
Total Mated Length: 41.2mm

A PART NO: **12047886**
 DESCRIPTION: Connector 8F
 SIZE: 17.0L x 14.9H x 15.3W
 COLOR: Black
 MATERIAL: PA66 HS IM
 TERMINALS: See Page 56

C PART NO: **12045688**
 DESCRIPTION: Connector 8M (Clip Slot)
 SIZE: 33.0L x 15.9H x 18.9W
 COLOR: Black
 MATERIAL: PA66 HS IM
 TERMINALS: See Page 57

B PART NO: **12045689**
 DESCRIPTION: TPA
 NUMBER REQ: 2
 COLOR: Md. Gray
 MATERIAL: PA66 HS IM

D PART NO: **12045690**
 DESCRIPTION: TPA
 COLOR: Natural
 MATERIAL: PBT



Total Mated Length: 48.3mm

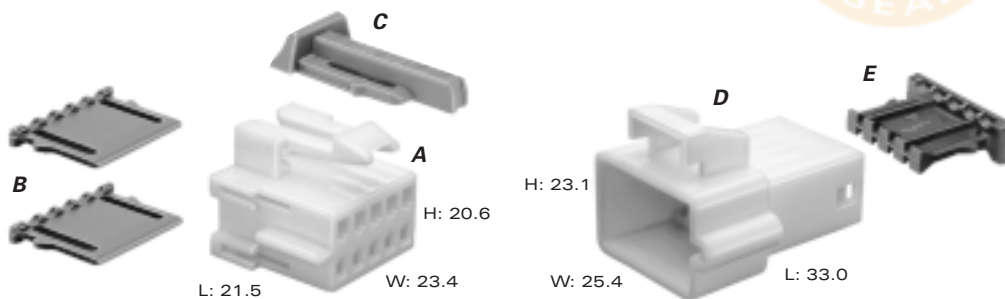
E PART NO: **12064766**
 DESCRIPTION: Connector 8F
 SIZE: 21.5L x 20.6H x 19.9W
 COLOR: Blue
 MATERIAL: PBT
 TERMINALS: See Page 56

H PART NO: **12064767**
 DESCRIPTION: Connector 8M (Clip Slot)
 SIZE: 33.0L x 23.1H x 21.9W
 COLOR: Blue
 MATERIAL: PBT
 TERMINALS: See Page 57

F PART NO: **12064768**
 DESCRIPTION: TPA
 NUMBER REQ: 2
 COLOR: Black
 MATERIAL: PBT

J PART NO: **12045690**
 DESCRIPTION: TPA
 COLOR: Natural
 MATERIAL: PBT

G PART NO: **12052834**
 DESCRIPTION: CPA
 COLOR: Green
 MATERIAL: PP



Total Mated Length: 48.3mm

A PART NO: **12064769**
 DESCRIPTION: Connector 10F
 SIZE: 21.5L x 20.6H x 23.4W
 COLOR: Natural
 MATERIAL: PBT
 TERMINALS: See Page 56

B PART NO: **12064771**
 DESCRIPTION: TPA
 NUMBER REQ: 2
 COLOR: Md. Gray
 MATERIAL: PA66 HS IM

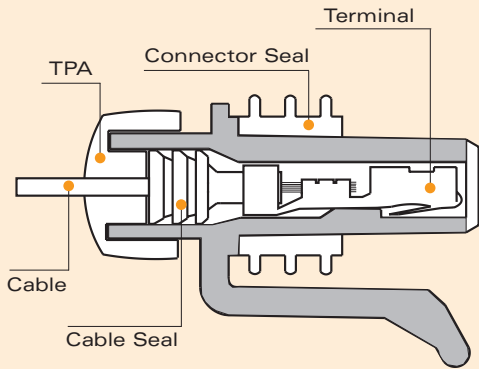
C PART NO: **12052834**
 DESCRIPTION: CPA
 COLOR: Green
 MATERIAL: PP

D PART NO: **12064770**
 DESCRIPTION: Connector 10M (Clip Slot)
 SIZE: 33.0L x 23.1H x 25.4W
 COLOR: Natural
 MATERIAL: PBT
 TERMINALS: See Page 57

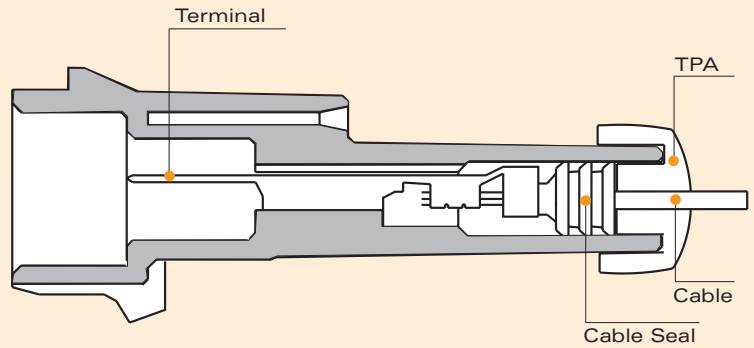
E PART NO: **12064772**
 DESCRIPTION: TPA
 COLOR: Black
 MATERIAL: PBT



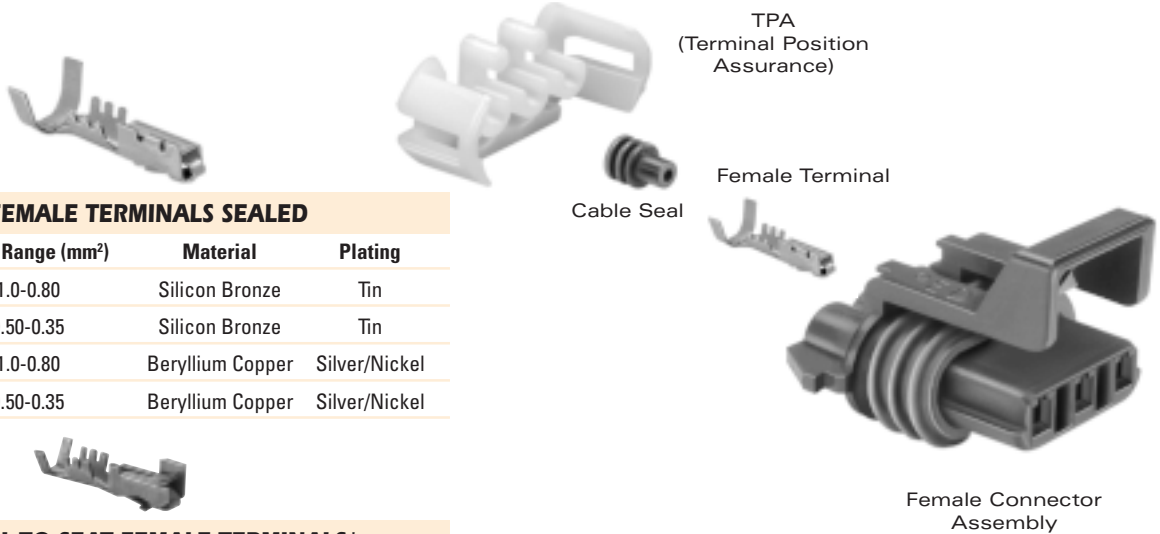
Cross Sectional View



Female Connector Assembly



Male Connector



150 FEMALE TERMINALS SEALED

Part #	Cable Range (mm ²)	Material	Plating
12048074	1.0-0.80	Silicon Bronze	Tin
12084200	0.50-0.35	Silicon Bronze	Tin
12160223	1.0-0.80	Beryllium Copper	Silver/Nickel
12160222	0.50-0.35	Beryllium Copper	Silver/Nickel

150.2 PULL-TO-SEAT FEMALE TERMINALS*

Part #	Cable Range (mm ²)	Material	Plating
12124075	1.0-0.80	Silicon Bronze	Tin
12124076	0.50-0.35	Silicon Bronze	Tin
12161184	1.0-0.80	Beryllium Copper	Silver/Nickel

* To be used with female connections, see page 76

150 METRI-PACK CABLE SEALS

Reel Part #	Loose Part #	Cable Diameter	Material	Color
12052924	12048086	2.85-2.03	Silicone	Dk. Red
12089442	12089678	2.15-1.60	Silicone	White
12052925	12048087	1.70-1.29	Silicone	Blue
12124669	12084193	1.009-0.995	Silicone	Tan

150 FEMALE CONNECTOR ASSEMBLIES SEALED

# Cavities	Conn. Asm.	Color	Material	TPA
2	12052641	Black	PA66 HS IM	12052634
3	12110293	Black	PA66 HS IM	12052845
4	12162144	Black	PA66 HS IM	12047948
5	12146045	Natural	PA6	12092844
6	12052848	Black	PA6	12052850
8	12047937	Black	PA66 HS IM	12066304
10	12065425	Black	PA66 HS IM	12124264

<http://delphi.com/products/connect>

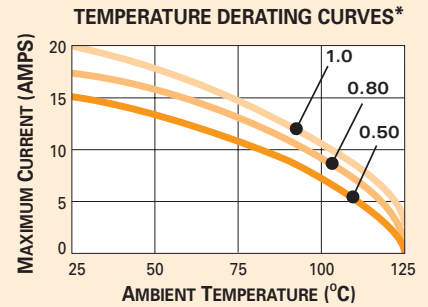
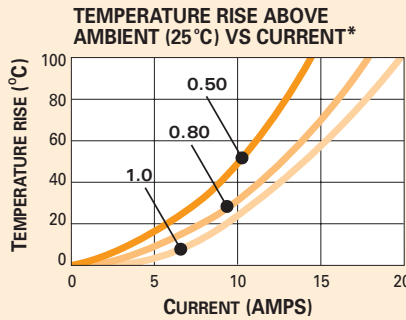


Sealed System Application Information



CABLE RANGE (mm²): 0.35-1.0
CURRENT RANGE (AMPS): 0-14
TEMP RANGE °C: -40 to 125
RESISTANCE: <10mΩ@20mV
VOLTAGE DROP: <10.0 mV/amp
CENTERLINE SPACING (mm): 6.0
BLADE WIDTH (mm): 1.5

150 SERIES TERMINALS-Tin Plated



*The test data are based on single circuits in free space and were generated using a "Lumped Resistance" model. This model does not account for all of the variables that would be present in an actual application. For actual product performance, contact your regional support representative at the number listed below.



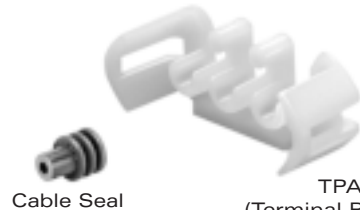
CPA
(Connector Position Assurance)



Male Connector



Male Terminal



Cable Seal

TPA
(Terminal Position Assurance)

150 MALE TERMINALS SEALED

Part #	Cable Range (mm ²)	Material	Plating
12045773	1.0-0.80	Tin Brass	Tin
12077628	0.50-0.35	Tin Brass	Tin



150 MALE CONNECTORS SEALED

# Cavities	Connector	Color	Material	TPA
2	12162000	Black	PA66 HS IM	12052634
3	12129615	Black	PA66 HS IM	12052845
4	12162102	Black	PBT 30% GF	12047948
5	12103974	Natural	PBT 30% GF	12092844
6	12124107	Black	PA66 HS IM	12052850
8	12047931	Black	PBT 30% GF	15324525
10	12045808	Black	PBT 30% GF	12124264

150 METRI-PACK CAVITY PLUG*

Part #	Cavity Inside Diameter	Material	Color
12059168	5.2mm	Silicone	Dk. Red

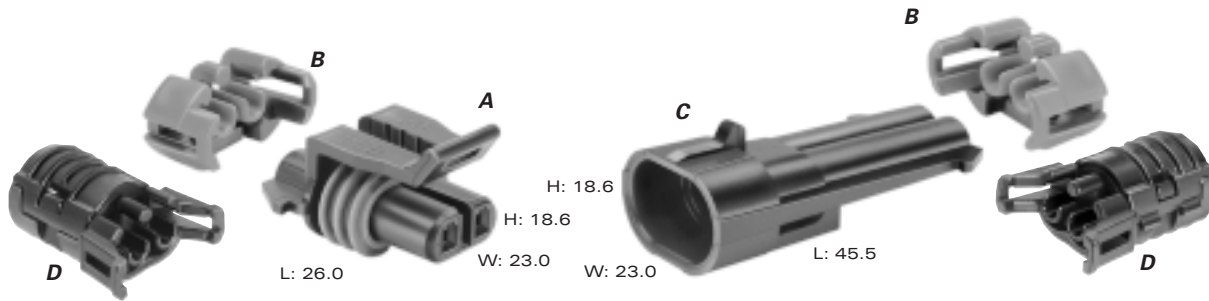
*Cavity plugs seal unused female and male cavities

SECTION NOTES:

Contact your regional support representative at the number listed below.

- Due to rigid tolerances of connector cavities, it is critical to meet all crimp dimensions as specified.
- Different color and connector indexing features are also available.
- Female connections for device applications, see page 75.

<http://delphi.com/products/connect>



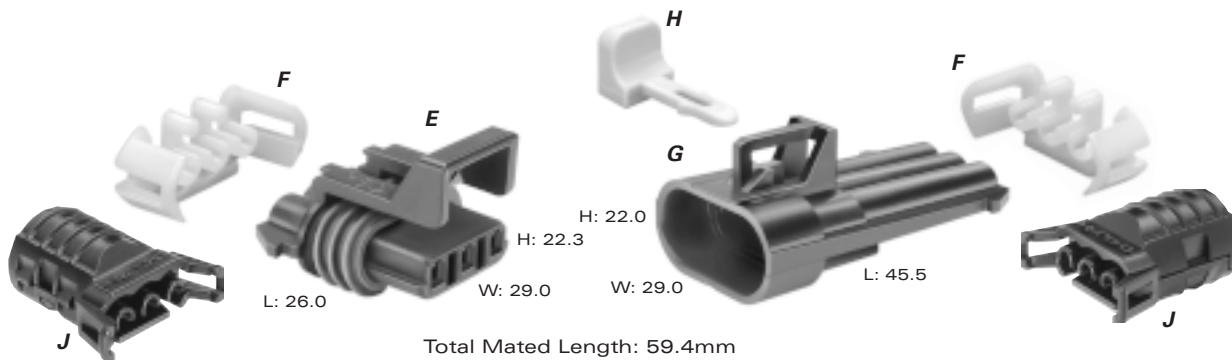
Total Mated Length: 58.5mm

A PART NO: **12052641 (Black)**
12052644 (Lt. Gray)
 DESCRIPTION: Connector Assembly 2F
 SIZE: 26.0L x 18.6H x 23.0W
 MATERIAL: PA66 HS IM
 TERMINALS: See Page 66
 SEALS/PLUGS: See Page 66, 67

C PART NO: **12162000 (Black)**
12162343 (Lt. Gray)
 DESCRIPTION: Connector 2M (Clip Slot-Self Locking)
 SIZE: 45.5L x 18.6H x 23.0W
 MATERIAL: PA66 HS IM
 TERMINALS: See Page 67
 SEALS/PLUGS: See Page 66, 67

B PART NO: **12052634**
 DESCRIPTION: TPA
 NUMBER REQ: 2
 COLOR: Blue
 MATERIAL: PA66 HS IM

D PART NO: **15327799 (Optional)**
 DESCRIPTION: Conduit TPA
 NUMBER REQ: 2
 COLOR: Black
 MATERIAL: PA6



Total Mated Length: 59.4mm

E PART NO: **12110293**
 DESCRIPTION: Connector Assembly 3F
 SIZE: 26.0L x 22.3H x 29.0W
 COLOR: Black
 MATERIAL: PA66 HS IM
 TERMINALS: See Page 66
 SEALS/PLUGS: See Page 66, 67

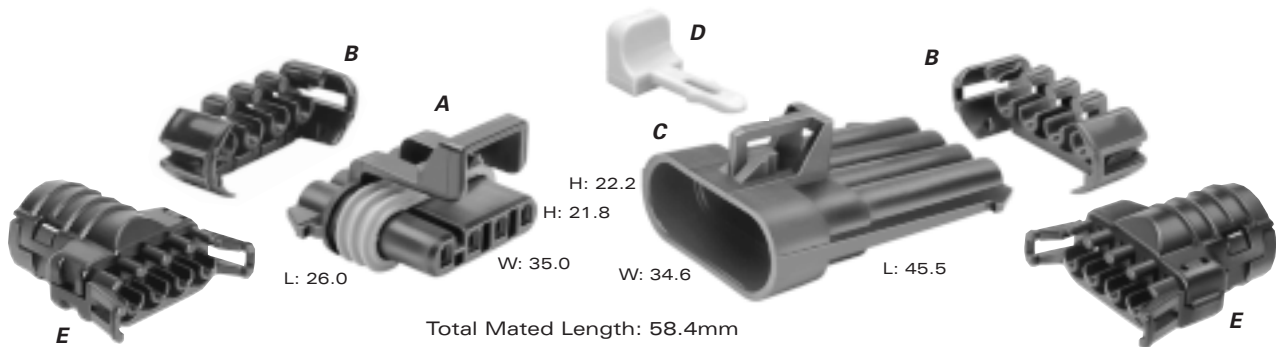
G PART NO: **12129615**
 DESCRIPTION: Connector 3M (Clip Slot-Self Locking)
 SIZE: 45.5L x 22.0H x 29.0W
 COLOR: Black
 MATERIAL: PA66 HS IM
 TERMINALS: See Page 67
 SEALS/PLUGS: See Page 66, 67

F PART NO: **12052845**
 DESCRIPTION: TPA
 NUMBER REQ: 2
 COLOR: Natural
 MATERIAL: PA66 HS IM

H PART NO: **12020833**
 DESCRIPTION: CPA
 COLOR: Gray
 MATERIAL: PBT

J PART NO: **10740397 (Optional)**
 DESCRIPTION: Conduit TPA
 NUMBER REQ: 2
 COLOR: Black
 MATERIAL: PA6

<http://delphi.com/products/connect>



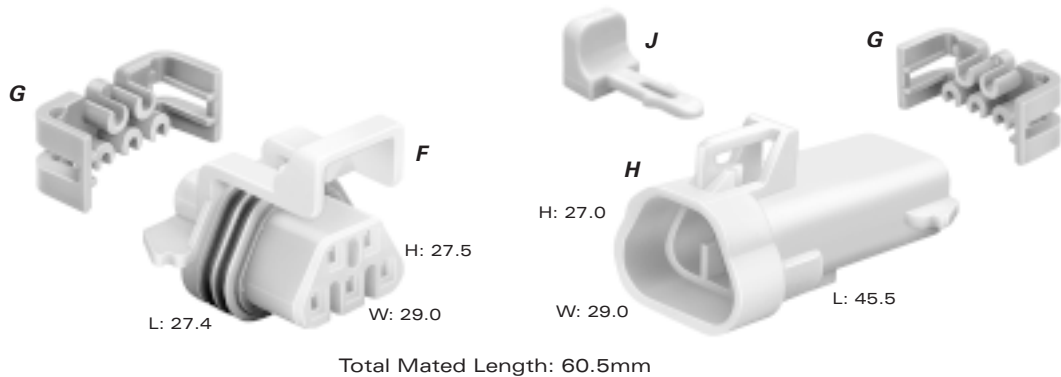
A PART NO: 12162144
 DESCRIPTION: Connector Assembly 4F
 SIZE: 26.0L x 21.8H x 35.0W
 COLOR: Black
 MATERIAL: PA66 HS IM
 TERMINALS: See Page 66
 SEALS/PLUGS: See Page 66, 67

C PART NO: 12162102
 DESCRIPTION: Connector 4M (Clip Slot-Self Locking)
 SIZE: 45.5L x 22.2H x 34.6W
 COLOR: Black
 MATERIAL: PBT 30% GF
 TERMINALS: See Page 67
 SEALS/PLUGS: See Page 66, 67

B PART NO: 12047948
 DESCRIPTION: TPA
 NUMBER REQ: 2
 COLOR: Black
 MATERIAL: PA66 HS IM

D PART NO: 12020833
 DESCRIPTION: CPA
 COLOR: Gray
 MATERIAL: PBT

E PART NO: 10719337 (Optional)
 DESCRIPTION: Conduit TPA
 NUMBER REQ: 2
 COLOR: Black
 MATERIAL: PA6

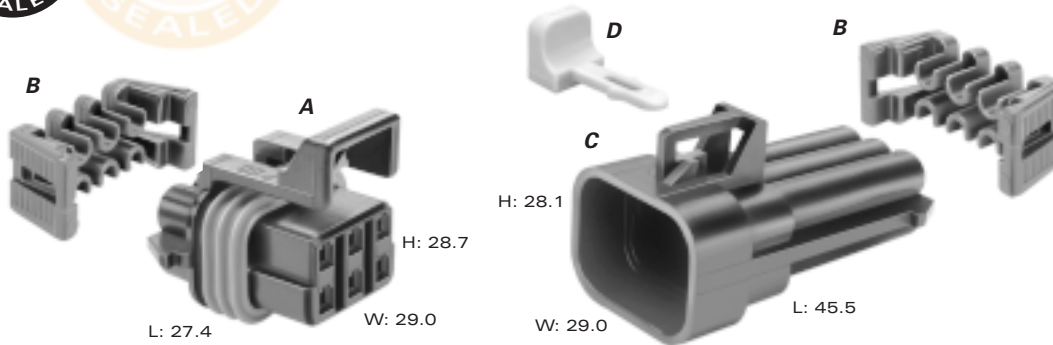


F PART NO: 12146045
 DESCRIPTION: Connector Assembly 5F
 SIZE: 27.4L x 27.5H x 29.0W
 COLOR: Natural
 MATERIAL: PA6
 TERMINALS: See Page 66
 SEALS/PLUGS: See Page 66, 67

H PART NO: 12103974
 DESCRIPTION: Connector 5M
 SIZE: 45.5L x 27.0H x 29.0W
 COLOR: Natural
 MATERIAL: PBT 30% GF
 TERMINALS: See Page 67
 SEALS/PLUGS: See Page 66, 67

G PART NO: 12092844
 DESCRIPTION: TPA
 NUMBER REQ: 2
 COLOR: Blue
 MATERIAL: PA6

J PART NO: 12020833
 DESCRIPTION: CPA
 COLOR: Gray
 MATERIAL: PBT



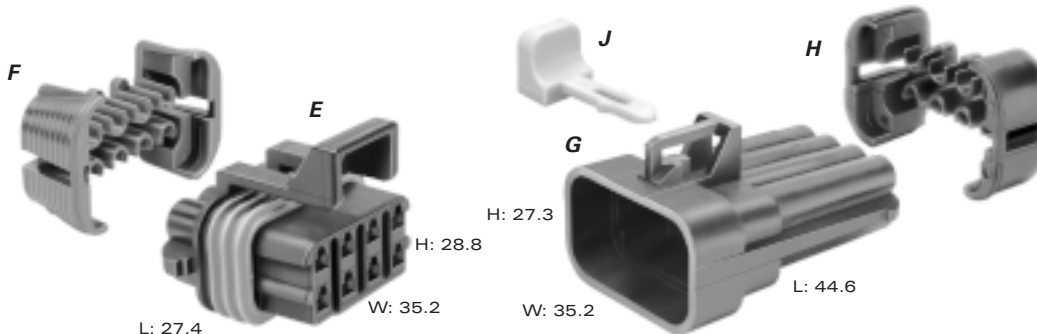
Total Mated Length: 60.5mm

A PART NO: 12052848
 DESCRIPTION: Connector Assembly 6F
 SIZE: 27.4L x 28.7H x 29.0W
 COLOR: Black
 MATERIAL: PA6
 TERMINALS: See Page 66
 SEALS/PLUGS: See Page 66, 67

C PART NO: 12124107
 DESCRIPTION: Connector 6M (Clip Slot-Self Locking)
 SIZE: 45.5L x 28.1H x 29.0W
 COLOR: Black
 MATERIAL: PA66 HS IM
 TERMINALS: See Page 67
 SEALS/PLUGS: See Page 66, 67

B PART NO: 12052850
 DESCRIPTION: TPA
 NUMBER REQ: 2
 COLOR: Md. Gray
 MATERIAL: PA6

D PART NO: 12020833
 DESCRIPTION: CPA
 COLOR: Gray
 MATERIAL: PBT



Total Mated Length: 60.4mm

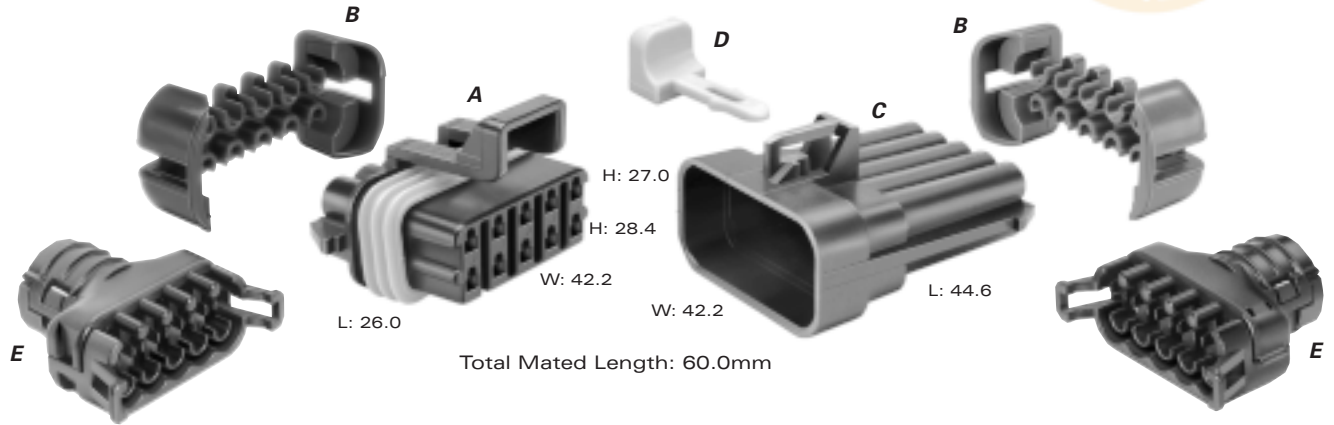
E PART NO: 12047937 (Black)
 DESCRIPTION: Connector Assembly 8F
PART NO: 12047938 (Lt. Gray)
 DESCRIPTION: Connector Assembly 7F
PART NO: 12052600 (Md. Gray)
 DESCRIPTION: Connector Assembly 5F
 SIZE: 27.4L x 28.8H x 35.2W
 MATERIAL: PA66 HS IM
 TERMINALS: See Page 66
 SEALS/PLUGS: See Page 66, 67

G PART NO: 12047931 (Black)
 DESCRIPTION: Connector 8M (Clip Slot)
PART NO: 12047933 (Lt. Gray)
 DESCRIPTION: Connector 7M (Clip Slot)
PART NO: 12052480 (Dk. Gray)
 DESCRIPTION: Connector 5M (Clip Slot)
 SIZE: 44.6L x 27.3H x 35.2W
 MATERIAL: PBT 30% GF
 TERMINALS: See Page 67
 SEALS/PLUGS: See Page 66, 67

F PART NO: 12066304
 DESCRIPTION: TPA
 COLOR: Md. Gray
 MATERIAL: PA66 HS IM

H PART NO: 15324525
 DESCRIPTION: TPA
 COLOR: Black
 MATERIAL: PBT

J PART NO: 12020833
 DESCRIPTION: CPA
 COLOR: Gray
 MATERIAL: PBT



**A PART NO: 12065425 (Black)
12065426 (Md. Gray)**

DESCRIPTION: Connector Assembly 10F
 SIZE: 26.0L x 28.4H x 42.2W
 MATERIAL: PA66 HS IM
 TERMINALS: See Page 66
 SEALS/PLUGS: See Page 66, 67

B PART NO: 12124264

DESCRIPTION: TPA
 NUMBER REQ: 2
 COLOR: Md. Gray
 MATERIAL: PA6

**C PART NO: 12045808 (Black)
12052189 (Lt. Gray)**

DESCRIPTION: Connector 10M (Clip Slot)
 SIZE: 44.6L x 27.0H x 42.2W
 MATERIAL: PBT 30% GF
 TERMINALS: See Page 67
 SEALS/PLUGS: See Page 66, 67

D PART NO: 12020833

DESCRIPTION: CPA
 COLOR: Gray
 MATERIAL: PBT

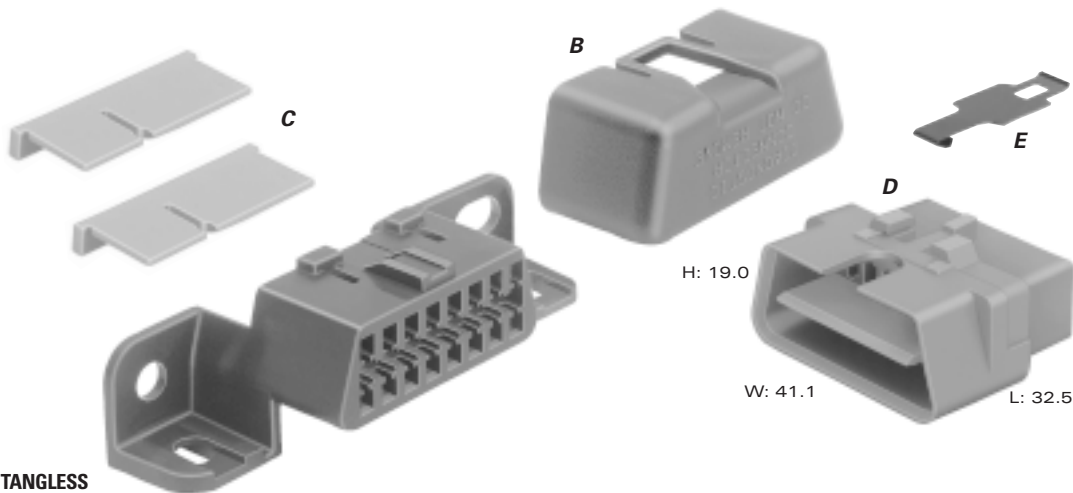
E PART NO: 10719339 (Optional)

DESCRIPTION: Conduit TPA
 NUMBER REQ: 2
 COLOR: Black
 MATERIAL: PA6



Metri-Pack OBD II— On-Board Diagnostic Connection System

The On-Board Diagnostic Connection System is designed to meet SAE J1962 specifications using ISO standard male terminals. The **16 Terminal Male Test Equipment Connector** includes a nylon insulator with ISO standard copper alloy male terminals. The **Female Vehicle Connector** is designed for under dash application, and accepts 150 Series Metri-Pack tangless female terminals available in silicon bronze.



A PART NO: 12110250
DESCRIPTION: Connector 16F (Fastener Mounting)
SIZE: 27.0L x 23.2H x 69.1W
PART NO: 15317575
DESCRIPTION: Connector 16F (Snap Mounting)
SIZE: 17.0L x 23.2H x 52.0W
COLOR: Black
MATERIAL: PA66 HS IM
TERMINALS: See Page 56

D PART NO: 12110252
DESCRIPTION: Connector 16M
SIZE: 32.5L x 19.0H x 41.1W
COLOR: Red
MATERIAL: PBT 30% GF
TERMINALS: See Page 57
NOTE: For molding details refer to drawing 12110256

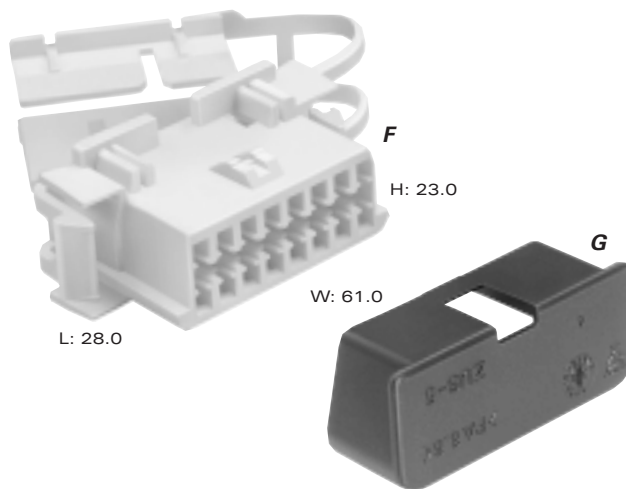
B PART NO: 12146933
DESCRIPTION: Cover
COLOR: Black
MATERIAL: PP

E PART NO: 12110254
DESCRIPTION: Clip
MATERIAL: Stainless Steel

C PART NO: 12160437
DESCRIPTION: TPA
NUMBER REQ: 2
COLOR: Blue
MATERIAL: PA6

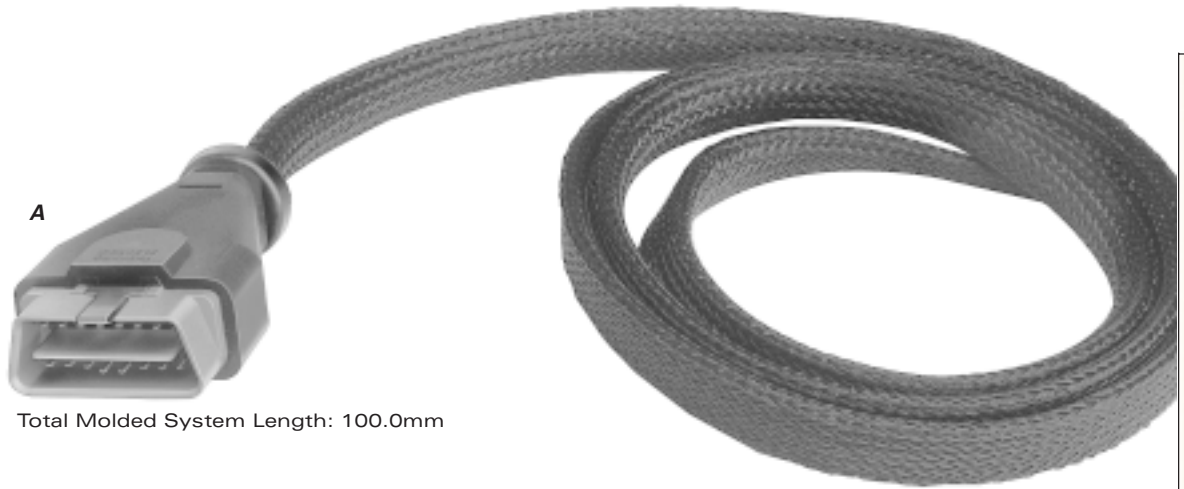


F PART NO: 12185280
DESCRIPTION: Connector 16F
SIZE: 28.0L x 23.0H x 61.0W
COLOR: White
MATERIAL: PA66
TERMINALS: See Page 56



G PART NO: 12185279
DESCRIPTION: Cover
COLOR: Black
MATERIAL: PA66

<http://delphi.com/products/connect>

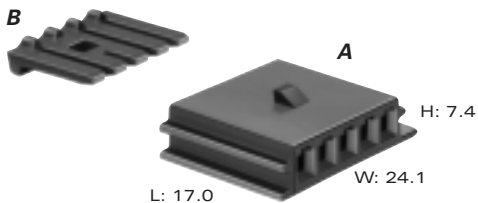


A

Total Molded System Length: 100.0mm

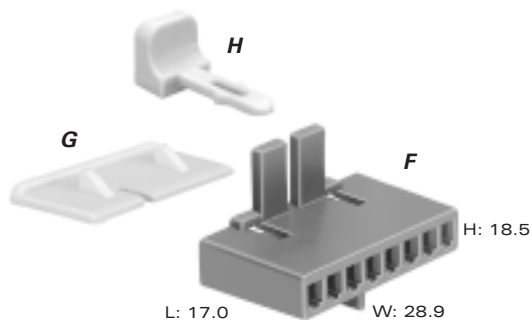
A DESCRIPTION: Connector Assembly 16M OBD II

PART NO:	12143692
LENGTH:	3 Feet (915mm)
PART NO:	12143693
LENGTH:	8 Feet (2440mm)
PART NO:	12143694
LENGTH:	12 Feet (3660mm)



A PART NO: 12059800
DESCRIPTION: Connector 5F
SIZE: 17.0L x 7.4H x 24.1W
COLOR: Black
MATERIAL: PA6
TERMINALS: See Page 56
TYPICAL APP: Motor

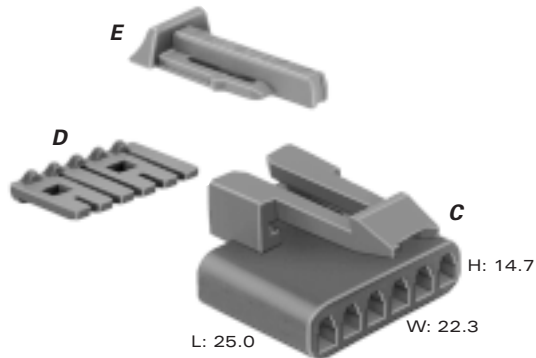
B PART NO: 12059801
DESCRIPTION: TPA
COLOR: Md. Gray
MATERIAL: PA66 HS IM



F PART NO: 12064862
DESCRIPTION: Connector 8F
SIZE: 17.0L x 18.5H x 28.9W
COLOR: Black
MATERIAL: PBT
TERMINALS: See Page 56
TYPICAL APP: Mirror Switch

G PART NO: 12064863
DESCRIPTION: TPA
COLOR: Lt. Gray
MATERIAL: PA6

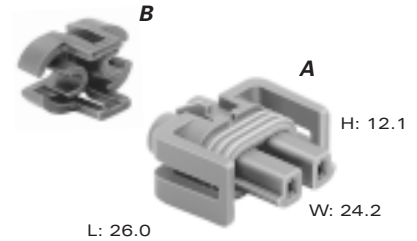
H PART NO: 12020833
DESCRIPTION: CPA
COLOR: Gray
MATERIAL: PBT



C PART NO: 12064860
DESCRIPTION: Connector 6F
SIZE: 25.0L x 14.7H x 22.3W
COLOR: Black
MATERIAL: PBT
TERMINALS: See Page 56
TYPICAL APP: Switch

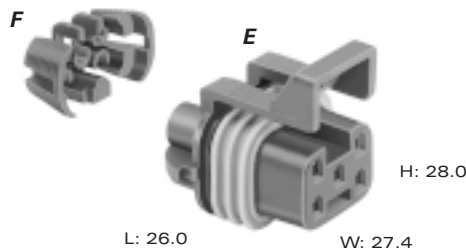
D PART NO: 12064861
DESCRIPTION: TPA
COLOR: Md. Gray
MATERIAL: PA66 HS IM

E PART NO: 12052834
DESCRIPTION: CPA
COLOR: Green
MATERIAL: PP



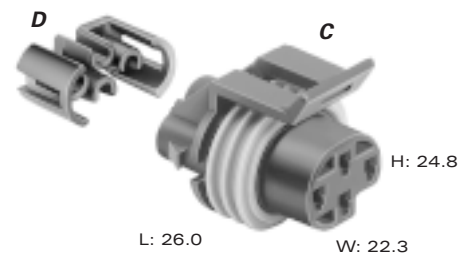
A PART NO: 12162017
 DESCRIPTION: Connector Assembly 2F
 SIZE: 26.0L x 12.1H x 24.2W
 COLOR: Md. Gray
 MATERIAL: PA66 HS IM
 TERMINALS: See Page 66
 SEALS/PLUGS: See Page 66, 67
 TYPICAL APP: Compressor

B PART NO: 12124824
 DESCRIPTION: TPA
 COLOR: Black
 MATERIAL: PA66 HS IM



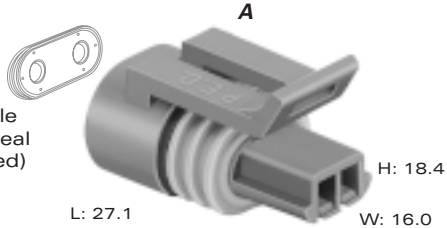
E PART NO: 12077591
 DESCRIPTION: Connector Assembly 5F
 SIZE: 26.0L x 28.0H x 27.4W
 COLOR: Black
 MATERIAL: PA66 HS IM
 TERMINALS: See Page 66
 SEALS/PLUGS: See Page 66, 67
 TYPICAL APP: EGR Valve

F PART NO: 12052898
 DESCRIPTION: TPA
 COLOR: Black
 MATERIAL: PA66 HS IM

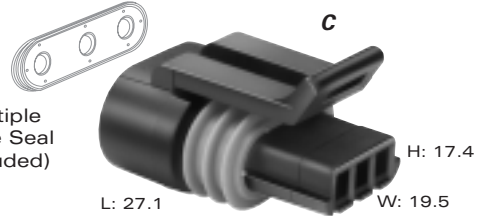


C PART NO: 12065298
 DESCRIPTION: Connector Assembly 4F
 SIZE: 26.0L x 24.8H x 22.3W
 COLOR: Black
 MATERIAL: PA66 HS IM
 TERMINALS: See Page 66
 SEALS/PLUGS: See Page 66, 67
 TYPICAL APP: Switch

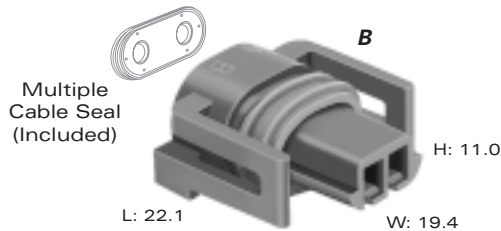
D PART NO: 12066176
 DESCRIPTION: TPA
 COLOR: Black
 MATERIAL: PA66 HS IM



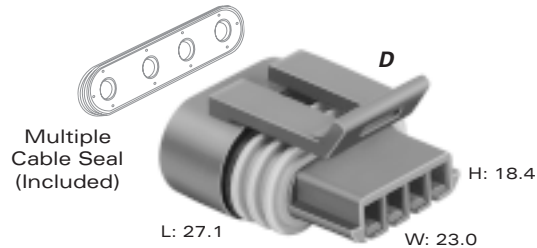
- A** PART NO: **12162193 (Black/Green Seal)**
2.66 -2.00 Cable O.D.
- PART NO: **12162197 (Gray/Green Seal)**
2.66 -2.00 Cable O.D.
- PART NO: **12162194 (Black/Tan Seal)**
2.15 -1.65 Cable O.D.
- PART NO: **12162198 (Gray/Tan Seal)**
2.15 -1.65 Cable O.D.
- PART NO: **12162195 (Black/Orange Seal)**
1.85 -1.47 Cable O.D.
- PART NO: **12162199 (Gray/Orange Seal)**
1.85 -1.47 Cable O.D.
- DESCRIPTION: Connector Assembly 2F
SIZE: 27.1L x 18.4H x 16.0W
MATERIAL: PA66 HS IM
TERMINALS: See Page 66
TYPICAL APP: Temperature Sensors



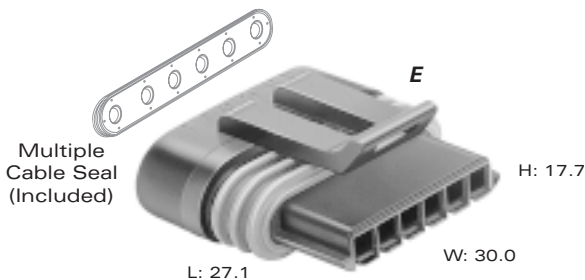
- C** PART NO: **12162182 (Black/Green Seal)**
2.66 -2.00 Cable O.D.
- PART NO: **12162280 (Gray/Green Seal)**
2.66 -2.00 Cable O.D.
- PART NO: **12162185 (Black/Lt. Gray Seal)**
2.15 -1.65 Cable O.D.
- PART NO: **12162279 (Gray/Lt. Gray Seal)**
2.15 -1.65 Cable O.D.
- DESCRIPTION: Connector Assembly 3F
SIZE: 27.1L x 17.4H x 19.5W
MATERIAL: PA66 HS IM
TERMINALS: See Page 66
TYPICAL APP: Crankshaft Sensor



- B** PART NO: **12162215 (Black/Brown Seal)**
2.66 -2.00 Cable O.D.
- PART NO: **12162216 (Black/Lt. Gray Seal)**
2.66 -2.00 Cable O.D.
- PART NO: **12162217 (Black/Gray Seal)**
2.15 -1.65 Cable O.D.
- PART NO: **12162218 (Gray/Yellow Seal)**
2.15 -1.65 Cable O.D.
- DESCRIPTION: Connector Assembly 2F
SIZE: 22.1L x 11.0H x 19.4W
MATERIAL: PA66 HS IM
TERMINALS: See Page 66
TYPICAL APP: Throttle Body Injector



- D** PART NO: **12162188 (Black/Green Seal)**
2.66 -2.00 Cable O.D.
- PART NO: **12162191 (Black/Blue Seal)**
2.45 -2.00 Cable O.D.
- PART NO: **12162189 (Black/Tan Seal)**
2.15 -1.65 Cable O.D.
- PART NO: **12162190 (Black/Orange Seal)**
1.85 -1.47 Cable O.D.
- DESCRIPTION: Connector Assembly 4F
SIZE: 27.1L x 18.4H x 23.0W
MATERIAL: PA66 HS IM
TERMINALS: See Page 66
TYPICAL APP: Distributor Module



- E** PART NO: **12162210 (Black/Green Seal)**
2.66 -2.00 Cable O.D.
- PART NO: **12162260 (Black/Tan Seal)**
2.15 -1.65 Cable O.D.
- PART NO: **12162261 (Black/Lt. Gray Seal)**
1.85 -1.47 Cable O.D.
- DESCRIPTION: Connector Assembly 6F
SIZE: 27.1L x 17.7H x 30.0W
MATERIAL: PA66 HS IM
TERMINALS: See Page 66
TYPICAL APP: Various

Metri-Pack Series

280



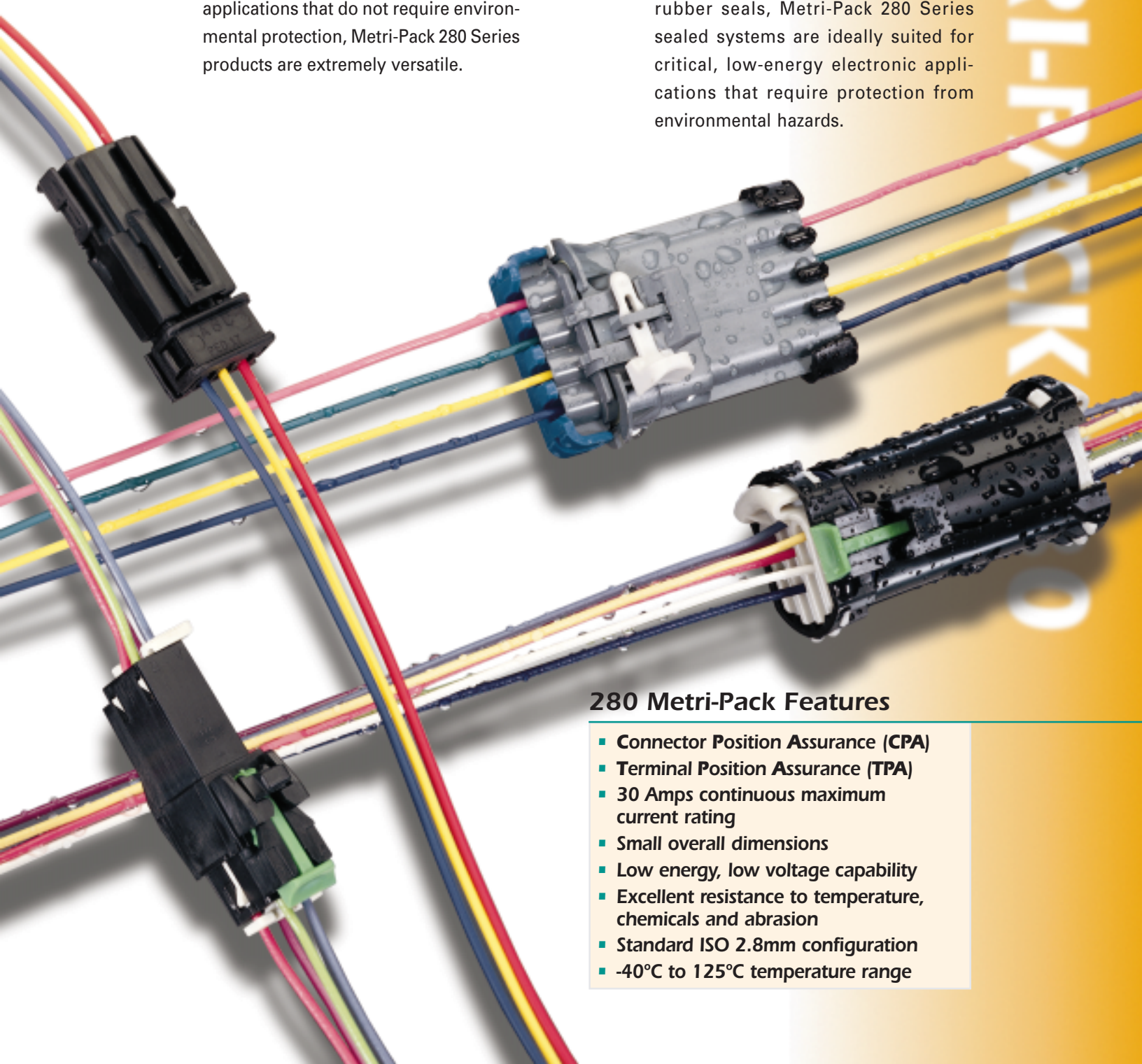
Available in device and in-line connections for vehicle applications, Metri-Pack 280 Series connectors can meet or exceed the requirements for most marine, appliance, and industrial control applications.

Ideally suited for limited space applications that do not require environmental protection, Metri-Pack 280 Series products are extremely versatile.



Available in device and in-line connections for underhood vehicle applications, Metri-Pack 280 Series sealed connectors can meet or exceed the requirements for most marine, appliance, and industrial control applications.

Utilizing triple-rib peripheral silicone rubber seals, Metri-Pack 280 Series sealed systems are ideally suited for critical, low-energy electronic applications that require protection from environmental hazards.

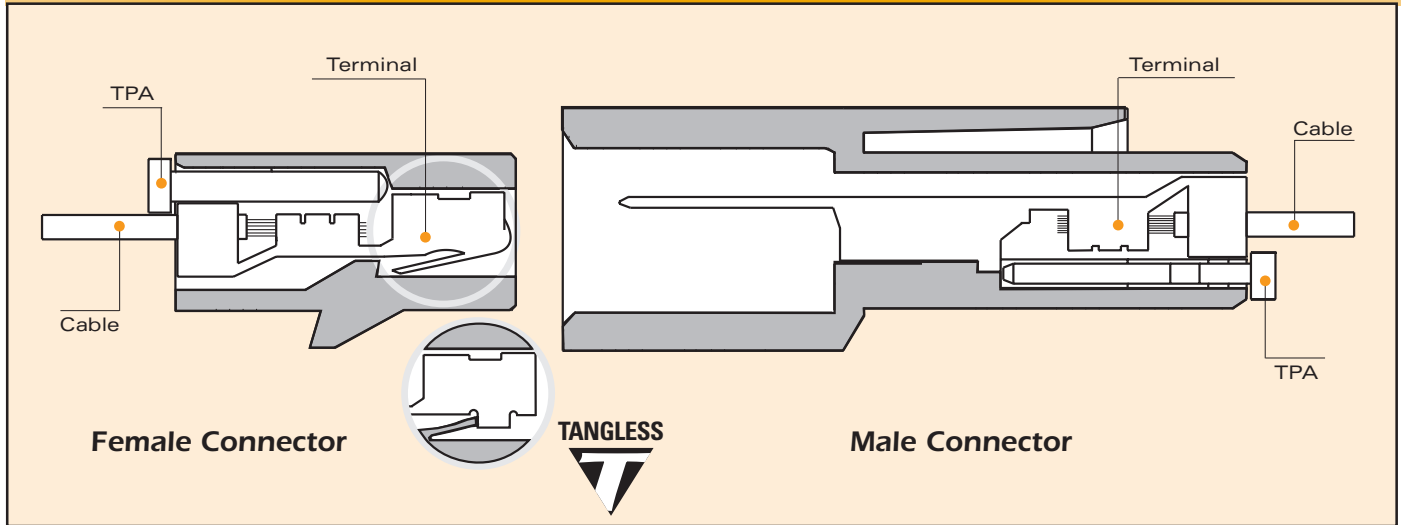


280 Metri-Pack Features

- Connector Position Assurance (CPA)
- Terminal Position Assurance (TPA)
- 30 Amps continuous maximum current rating
- Small overall dimensions
- Low energy, low voltage capability
- Excellent resistance to temperature, chemicals and abrasion
- Standard ISO 2.8mm configuration
- -40°C to 125°C temperature range



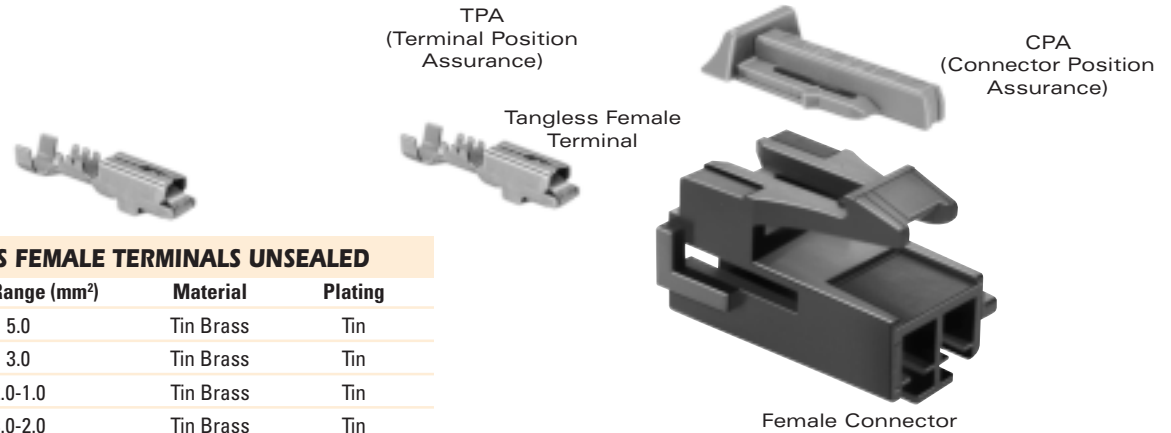
Cross Sectional View



280 TANGLESS FEMALE TERMINALS UNSEALED

Part #	Cable Range (mm ²)	Material	Plating
12129425	5.0	Tin Brass	Tin
12129663	3.0	Tin Brass	Tin
12129424	2.0-1.0	Tin Brass	Tin
12110842*	3.0-2.0	Tin Brass	Tin
12110844*	1.0-0.80	Tin Brass	Tin
12110843*	0.50-0.35	Tin Brass	Tin
12129061*	0.35 (2 Req'd.)	Tin Brass	Tin

*Thin Stock—Electrical current restrictions apply, contact your regional support representative at the number listed below.



Female Connector



280 FEMALE TERMINALS UNSEALED

Part #	Cable Range (mm ²)	Material	Plating
12015858	5.0	Tin Brass	Tin
12129494	3.0-2.0	Tin Brass	Tin
12066214	2.0-1.0	Tin Brass	Tin
12034046	1.0-0.80	Tin Brass	Tin
12052217	0.50-0.35	Tin Brass	Tin
12162597*	3.0-2.0	Tin Brass	Tin
12162595*	1.0-0.80	Tin Brass	Tin
12162596*	0.50-0.35	Tin Brass	Tin

*Thin Stock—Electrical current restrictions apply, contact your regional support representative at the number listed below.

<http://delphi.com/products/connect>

280 FLEXLOCK FEMALE CONNECTORS UNSEALED

# Cavities	Connector	Color	Material	TPA
2	12129081	Black	PA66 HS IM	12129083
3	12129489	Black	PA66 HS IM	12129491
4	12129136	Black	PA66 HS IM	12129138

280 FEMALE CONNECTORS UNSEALED

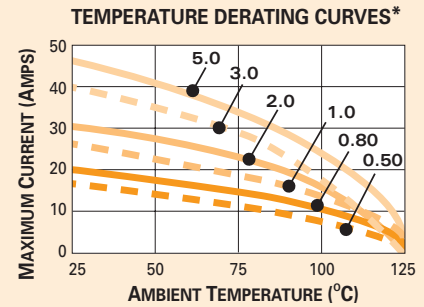
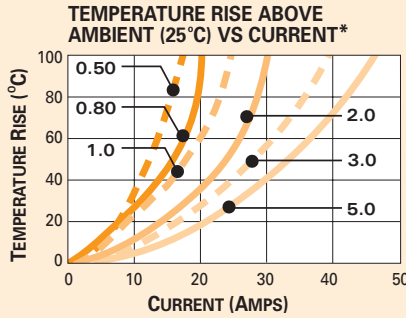
# Cavities	Connector	Color	Material	TPA
6	12064752	Black	PA66 HS IM	12064753
8	12064998	Black	PBT	12064999



Unsealed System Application Information

CABLE RANGE (mm²): 0.35-5.0
CURRENT RANGE (AMPS): 0-30
TEMP RANGE °C: -40 to 125
RESISTANCE: <10mΩ@20mV
VOLTAGE DROP: <3.0mV/amp
CENTERLINE SPACING (mm): 5.0
BLADE WIDTH (mm): 2.8

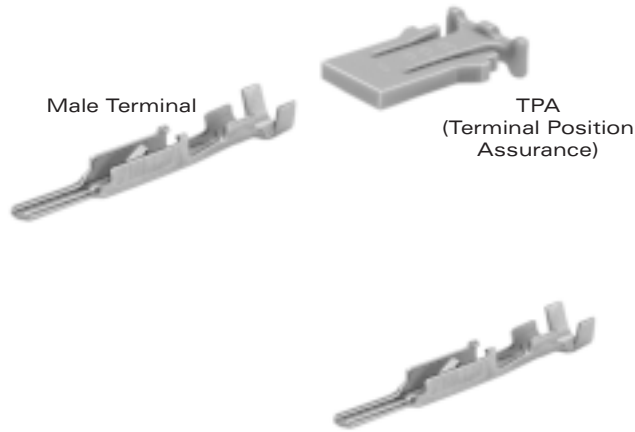
280 SERIES TERMINALS - Tin Plated



*The test data are based on single circuits in free space and were generated using a "Lumped Resistance" model. This model does not account for all of the variables that would be present in an actual application. For actual product performance, contact your regional support representative at the number listed below.



Male Connector



Male Terminal

TPA
(Terminal Position Assurance)

280 MALE TERMINALS UNSEALED

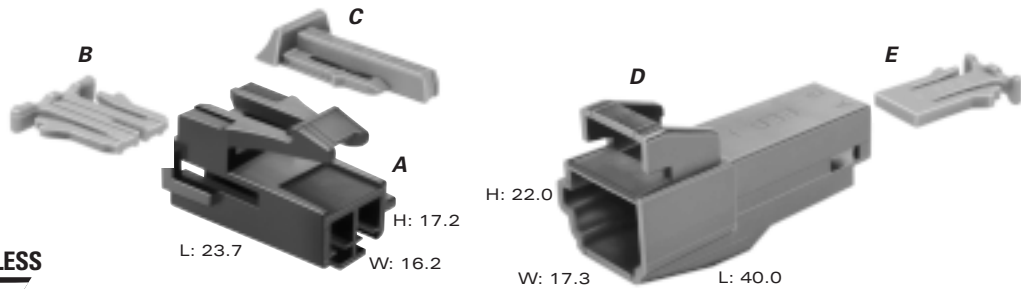
Part #	Cable Range (mm ²)	Material	Plating
12084586	5.0	Tin Brass	Tin
12129498	3.0-2.0	Tin Brass	Tin
12020116	2.0-1.0	Tin Brass	Tin
12034047	1.0-0.80	Tin Brass	Tin
12066271	0.50-0.35	Tin Brass	Tin
12020782	0.35 (2 Req'd.)	Tin Brass	Tin

280 MALE CONNECTORS UNSEALED

# Cavities	Connector	Color	Material	TPA
2	12129155	Black	PA66 HS IM	12129157
3	12129490	Black	PA66 HS IM	12129492
4	12129135	Black	PA66 HS IM	12129137
6	12064754	Black	PA6	12064755
8	12066195	Black	PBT	12065141

SECTION NOTES:

- Contact your regional support representative at the number listed below.
- Due to rigid tolerances of connector cavities, it is critical to meet all crimp dimensions as specified.
- Different color and connector indexing features are also available.
- Female connections for device applications, see page 91.



Total Mated Length: 54.3mm

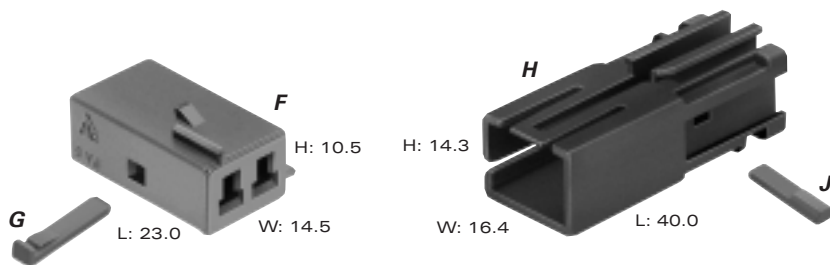
**A PART NO: 12129081 (Black)
12129082 (Md. Gray)**
DESCRIPTION: Connector 2F
SIZE: 23.7L x 17.2H x 16.2W
MATERIAL: PA66 HS IM
TERMINALS: See Page 78

**D PART NO: 12129155 (Black)
12129156 (Md. Gray)**
DESCRIPTION: Connector 2M (Clip Slot-Self Locking)
SIZE: 40.0L x 22.0H x 17.3W
MATERIAL: PA66 HS IM
TERMINALS: See Page 79

B PART NO: 12129083
DESCRIPTION: TPA
COLOR: Lt. Gray
MATERIAL: PA66 HS IM

E PART NO: 12129157
DESCRIPTION: TPA
COLOR: Lt. Gray
MATERIAL: PA66 HS IM

C PART NO: 12052834
DESCRIPTION: CPA
COLOR: Green
MATERIAL: PP



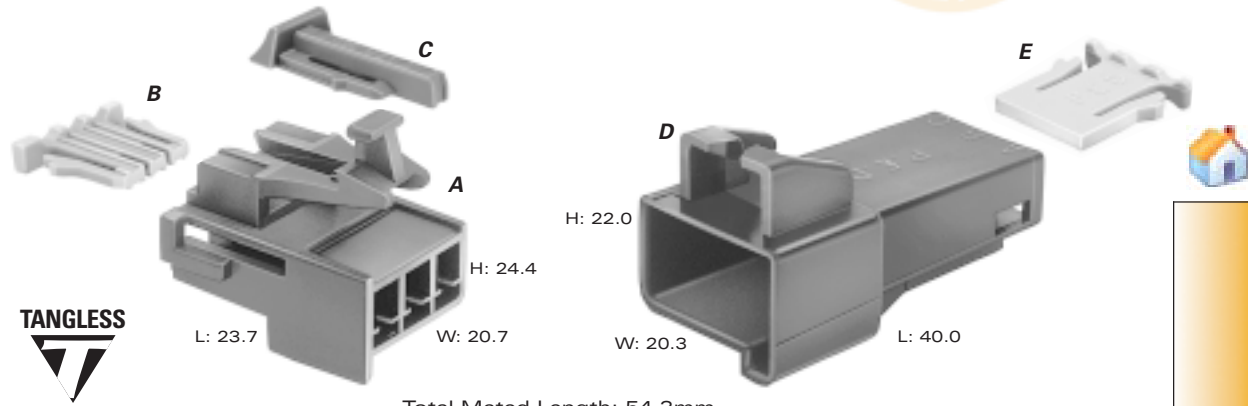
Total Mated Length: 49.3mm

**F PART NO: 12147503 (Black)
12111456 (Green)**
DESCRIPTION: Connector 2F
SIZE: 23.0L x 10.5H x 14.5W
MATERIAL: PA6
TERMINALS: See Page 78

**H PART NO: 12147517 (Black)
10717650 (Green)**
DESCRIPTION: Connector 2M
SIZE: 40.0L x 14.3H x 16.4W
MATERIAL: PA6
TERMINALS: See Page 79

G PART NO: 12147502
DESCRIPTION: TPA
COLOR: Gray
MATERIAL: PA6 % GF

J PART NO: 12147771
DESCRIPTION: TPA
COLOR: Gray
MATERIAL: PA6 % GF



Total Mated Length: 54.3mm

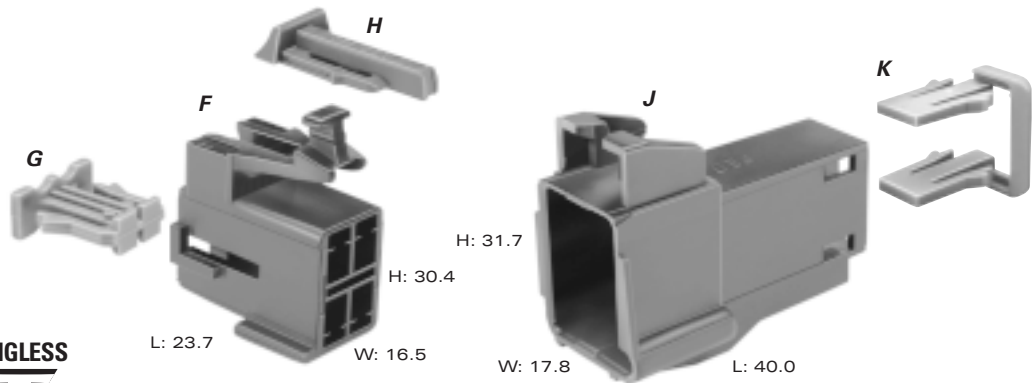
A PART NO: 12129489
 DESCRIPTION: Connector 3F
 SIZE: 23.7L x 24.4H x 20.7W
 COLOR: Black
 MATERIAL: PA66 HS IM
 TERMINALS: See Page 78

D PART NO: 12129490
 DESCRIPTION: Connector 3M
 SIZE: 40.0L x 22.0H x 20.3W
 COLOR: Black
 MATERIAL: PA66 HS IM
 TERMINALS: See Page 79

B PART NO: 12129491
 DESCRIPTION: TPA
 COLOR: Lt. Gray
 MATERIAL: PA66 HS IM

E PART NO: 12129492
 DESCRIPTION: TPA
 COLOR: Lt. Gray
 MATERIAL: PA66 HS IM

C PART NO: 12052834
 DESCRIPTION: CPA
 COLOR: Green
 MATERIAL: PP



Total Mated Length: 54.0mm

F PART NO: 12129136
 DESCRIPTION: Connector 4F
 SIZE: 23.7L x 30.4H x 16.5W
 COLOR: Black
 MATERIAL: PA66 HS IM
 TERMINALS: See Page 78

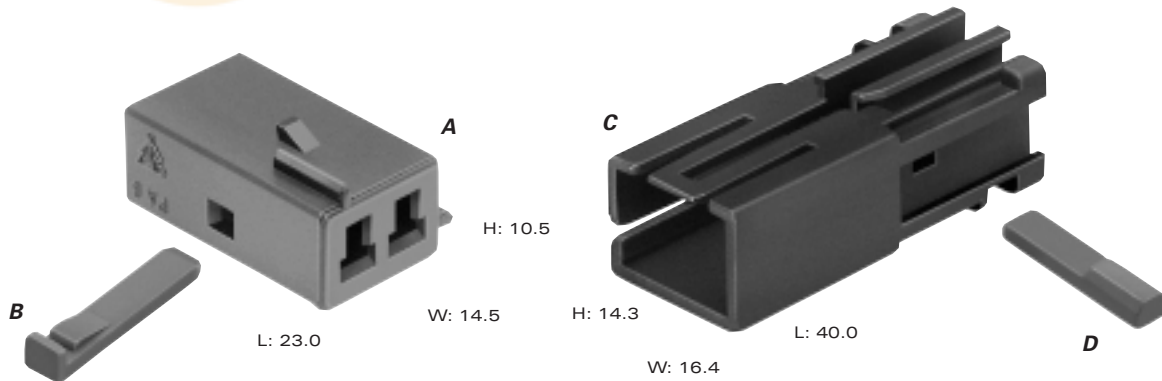
J PART NO: 12129135
 DESCRIPTION: Connector 4M (Clip Slot-Self Locking)
 SIZE: 40.0L x 31.7H x 17.8W
 COLOR: Black
 MATERIAL: PA66 HS IM
 TERMINALS: See Page 79

G PART NO: 12129138
 DESCRIPTION: TPA
 COLOR: Lt. Gray
 MATERIAL: PA66 HS IM

K PART NO: 12129137
 DESCRIPTION: TPA
 COLOR: Lt. Gray
 MATERIAL: PA66 HS IM

H PART NO: 12052834
 DESCRIPTION: CPA
 COLOR: Green
 MATERIAL: PP

<http://delphi.com/products/connect>



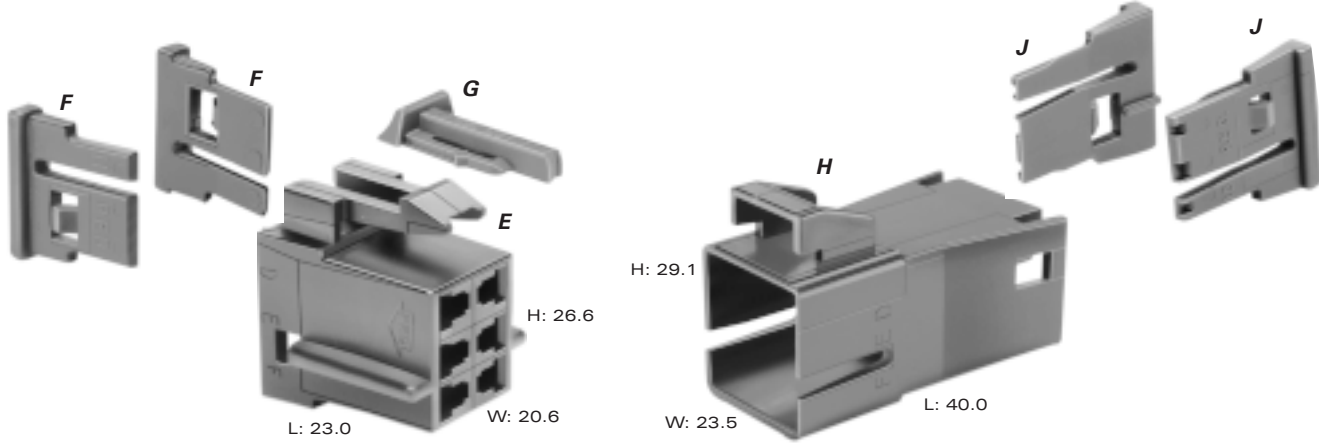
Total Mated Length: 50.0mm

A PART NO: 15318080
 DESCRIPTION: Connector 2F
 SIZE: 23.0L x 10.5H x 14.5W
 COLOR: Black
 MATERIAL: PA6
 TERMINALS: See Page 78

C PART NO: 12147517
 DESCRIPTION: Connector 2M
 SIZE: 40.0L x 14.3H x 16.4W
 COLOR: Black
 MATERIAL: PA6
 TERMINALS: See Page 79

B PART NO: 12147502
 DESCRIPTION: Secondary Lock
 SIZE.: 2.6L x 2.3H x 12.6W
 COLOR: Gray
 MATERIAL: PA6%GF

D PART NO: 12147771
 DESCRIPTION: Secondary Lock
 SIZE.: 2.7L x 2.2H x 11.8W
 COLOR: Gray
 MATERIAL: PA6%GF



Total Mated Length: 57.0mm

E PART NO: 12064752
 DESCRIPTION: Connector 6F
 SIZE: 23.0L x 26.6H x 20.6W
 COLOR: Black
 MATERIAL: PA66 HS IM
 TERMINALS: See Page 78

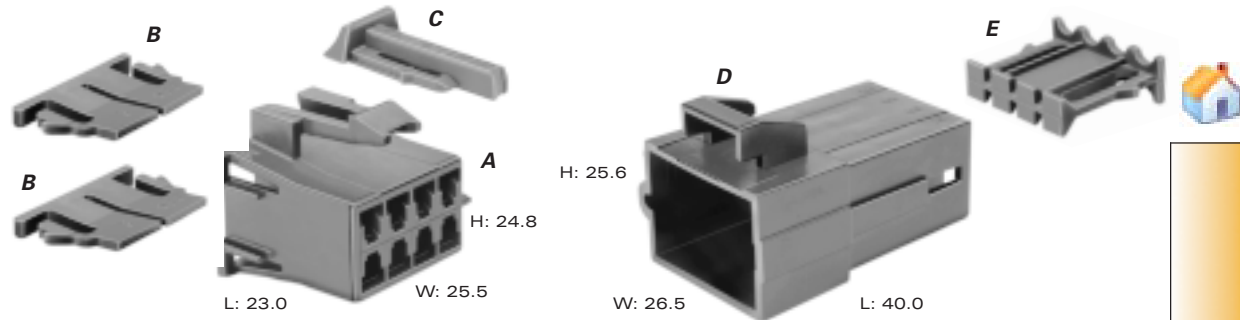
H PART NO: 12064754
 DESCRIPTION: Connector 6M (Clip Slot-Self Locking)
 SIZE: 40.0L x 29.1H x 23.5W
 COLOR: Black
 MATERIAL: PA6
 TERMINALS: See Page 79

F PART NO: 12064753
 DESCRIPTION: TPA
 NUMBER REQ.: 2
 COLOR: Md. Gray
 MATERIAL: PA66 HS IM

J PART NO: 12064755
 DESCRIPTION: TPA
 NUMBER REQ.: 2
 COLOR: Blue
 MATERIAL: PA66 HS IM

G PART NO: 12052834
 DESCRIPTION: CPA
 COLOR: Green
 MATERIAL: PP

<http://delphi.com/products/connect>



Total Mated Length: 54.0mm

A PART NO: 12064998
 DESCRIPTION: Connector 8F
 SIZE: 23.0L x 24.8H x 25.5W
 COLOR: Black
 MATERIAL: PA66 HS IM
 TERMINALS: See Page 78

D PART NO: 12066195
 DESCRIPTION: Connector 8M (Clip Slot)
 SIZE: 40.0L x 25.6H x 26.5W
 COLOR: Black
 MATERIAL: PA66 HS IM
 TERMINALS: See Page 79

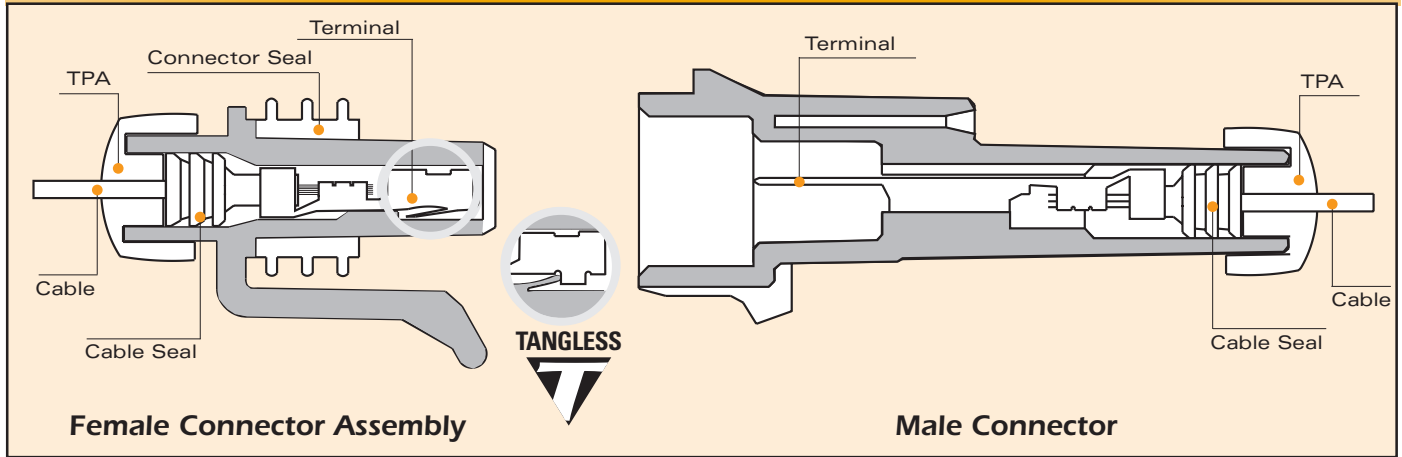
B PART NO: 12064999
 DESCRIPTION: TPA
 NUMBER REQ.: 2
 COLOR: Blue
 MATERIAL: PBT

E PART NO: 12065141
 DESCRIPTION: TPA
 COLOR: Md. Gray
 MATERIAL: PA66 HS IM

C PART NO: 12052834
 DESCRIPTION: CPA
 COLOR: Green
 MATERIAL: PP



Cross Sectional View



Female Connector Assembly

Male Connector

TANGLESS

280 TANGLESS FEMALE TERMINALS SEALED

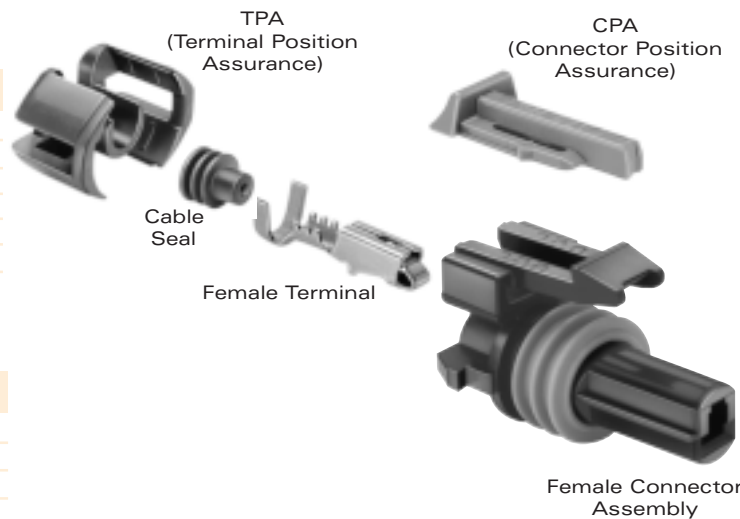
Part #	Cable Range (mm ²)	Material	Plating
12110853	5.0-3.0	Tin Brass	Tin
12129409	2.0-1.0	Tin Brass	Tin
12110845*	3.0-2.0	Tin Brass	Tin
12110847*	1.0-0.80	Tin Brass	Tin
12110846*	0.50-0.35	Tin Brass	Tin

*Thin Stock—Electrical current restrictions apply, contact your regional support representative at the number listed below.

TANGLESS

280 FLEXLOCK FEMALE CONNECTOR ASSEMBLIES SEALED

# Cavities	Conn. Asm.	Color	Material	TPA
7	12110751	Black	PA66 HS IM	12110754
15	12161186	Black	PA66 HS IM	12176865



280 FEMALE TERMINALS SEALED

Part #	Cable Range (mm ²)	Material	Plating
12077413	5.0	Tin Brass	Tin
12129493	3.0-2.0	Tin Brass	Tin
12077411	1.0-0.80	Tin Brass	Tin
12084201	0.50-0.35	Tin Brass	Tin
12176387	5.0	Beryllium Copper	Silver/Nickel
12176388	3.0-2.0	Beryllium Copper	Silver/Nickel
12176389	1.0-0.80	Beryllium Copper	Silver/Nickel

280 FEMALE CONNECTOR ASSEMBLIES SEALED

# Cavities	Conn. Asm.	Color	Material	TPA
1	12065172	Black	PA66 HS IM	12065249
2	15300027	Black	PA66 HS IM	15300014
2	12124819	Black	PBT	12020807
3	12040977	Black	PA66 HS IM	12034145
4	12129565	Md. Gray	PA66 HS IM	15300016
5	12084891	Md. Gray	PA66 HS IM	15300017

280 METRI-PACK CABLE SEALS

Reel Part #	Loose Part #	Cable Diameter	Material	Color
12015360	12015193	4.30-3.45	Silicone	Blue
12015359	12010293	3.49-2.81	Silicone	Lt. Gray
12015284	12015323	2.85-2.03	Silicone	Green
12041352	12041351	2.42-2.03	Silicone	Tan
12089444	12089679	2.15-1.60	Silicone	Purple
12034365	12015899	1.70-1.29	Silicone	Dk. Red

280.1 FEMALE PULL-TO-SEAT TERMINALS SEALED

Part #	Cable Range (mm ²)	Material	Plating
12077939	1.0-0.80	Silicon Bronze	Tin
12103360	0.50-0.35	Silicon Bronze	Tin

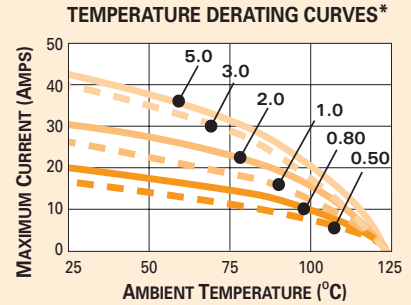
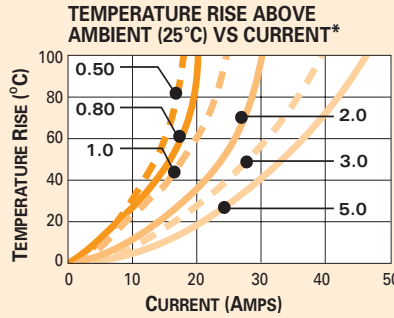
<http://delphi.com/products/connect>



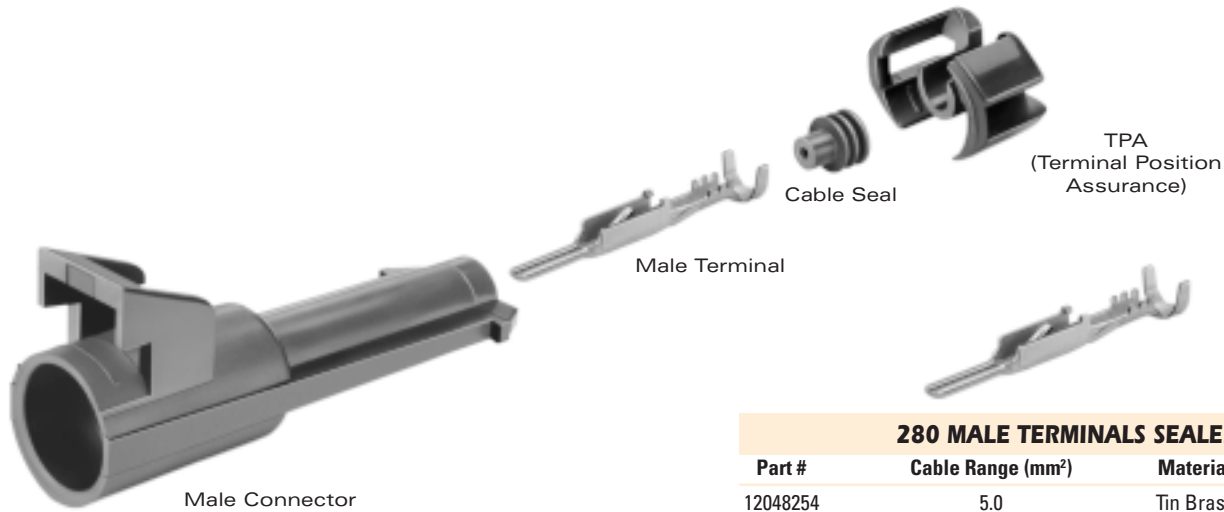
Sealed System Application Information

CABLE RANGE (mm²): 0.35-5.0
CURRENT RANGE (AMPS): 0-30
TEMP RANGE °C: -40 to 125
RESISTANCE: <10mΩ@20mV
VOLTAGE DROP: <3.0mV/amp
CENTERLINE SPACING (mm): 7.7
BLADE WIDTH (mm): 2.8

280 SERIES TERMINALS - Tin Plated



*The test data are based on single circuits in free space and were generated using a "Lumped Resistance" model. This model does not account for all of the variables that would be present in an actual application. For actual product performance, contact your regional support representative at the number listed below.



280 MALE TERMINALS SEALED

Part #	Cable Range (mm ²)	Material	Plating
12048254	5.0	Tin Brass	Tin
12129497	3.0-2.0	Tin Brass	Tin
12048159	1.0-0.80	Tin Brass	Tin
12124977	0.50-0.35	Tin Brass	Tin

280 MALE CONNECTORS SEALED

# Cavities	Connector	Color	Material	TPA
1	12065171	Black	PA66 HS IM	12065249
2	15300002	Black	PA66 HS IM	15300014
2	12059450	Black	PA66 HS IM	12065279
3	15300003	Black	PA66 HS IM	15300015
4	12129600	Dk. Gray	PBT 30% GF	12092733
5	12186400	Gray	PBT 30% GF	12084673
7	12110753	Black	PA66 HS IM	12110754
15	12161187	Black	PA66 HS IM	12110782

280 METRI-PACK CAVITY PLUG*

Part #	Cavity Inside Diameter	Material	Color
12010300	6.7mm	Silicone	Green

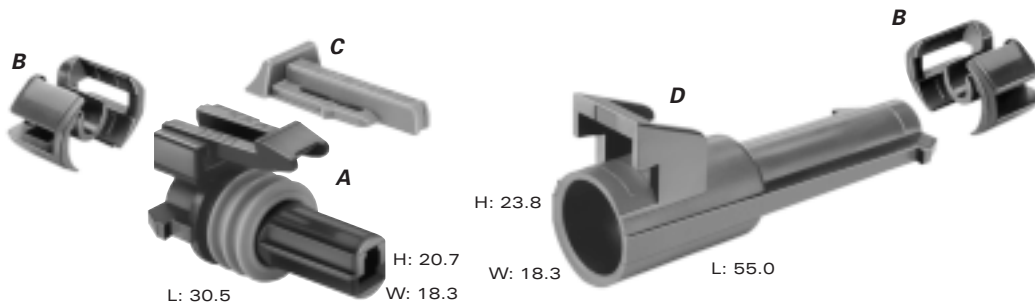
*Cavity plugs seal unused female and male cavities.

SECTION NOTES:

Contact your regional support representative at the number listed below.

- Due to rigid tolerances of connector cavities, it is critical to meet all crimp dimensions as specified.
- Female Connections for device applications, see page 92.

<http://delphi.com/products/connect>



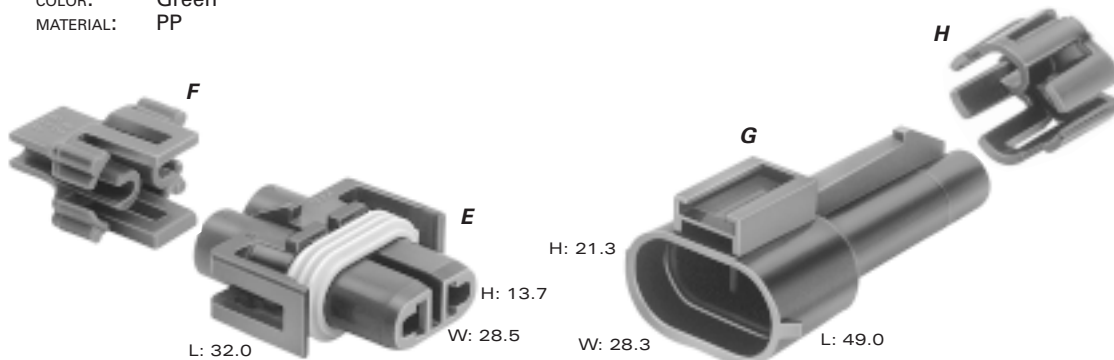
Total Mated Length: 70.3mm

A PART NO: 12065172
 DESCRIPTION: Connector Assembly 1F
 SIZE: 30.5L x 20.7H x 18.3W
 COLOR: Black
 MATERIAL: PA66 HS IM
 TERMINALS: See Page 84
 SEALS/PLUGS: See Page 84, 85

D PART NO: 12065171
 DESCRIPTION: Connector 1M
 SIZE: 55.0L x 23.8H x 18.3W
 COLOR: Black
 MATERIAL: PA66 HS IM
 TERMINALS: See Page 85
 SEALS/PLUGS: See Page 84, 85

B PART NO: 12065249
 DESCRIPTION: TPA
 NUMBER REQ.: 2
 COLOR: Black
 MATERIAL: PA66 HS IM

C PART NO: 12052834
 DESCRIPTION: CPA
 COLOR: Green
 MATERIAL: PP



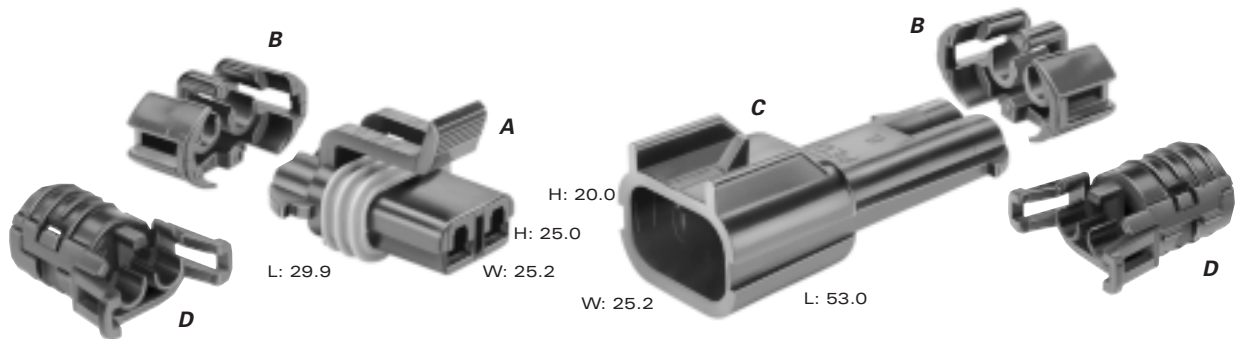
Total Mated Length: 81.9mm

E PART NO: 12124819
 DESCRIPTION: Connector Assembly 2F
 SIZE: 32.0L x 13.7H x 28.5W
 COLOR: Black
 MATERIAL: PBT
 TERMINALS: See Page 84
 SEALS/PLUGS: See Page 84, 85

G PART NO: 12059450
 DESCRIPTION: Connector 2M (Clip Slot)
 SIZE: 49.0L x 21.3H x 28.3W
 COLOR: Black
 MATERIAL: PA66 HS IM
 TERMINALS: See Page 85
 SEALS/PLUGS: See Page 84, 85

F PART NO: 12020807
 DESCRIPTION: TPA
 COLOR: Md. Gray
 MATERIAL: PA6

H PART NO: 12065279
 DESCRIPTION: TPA
 COLOR: Black
 MATERIAL: PA6



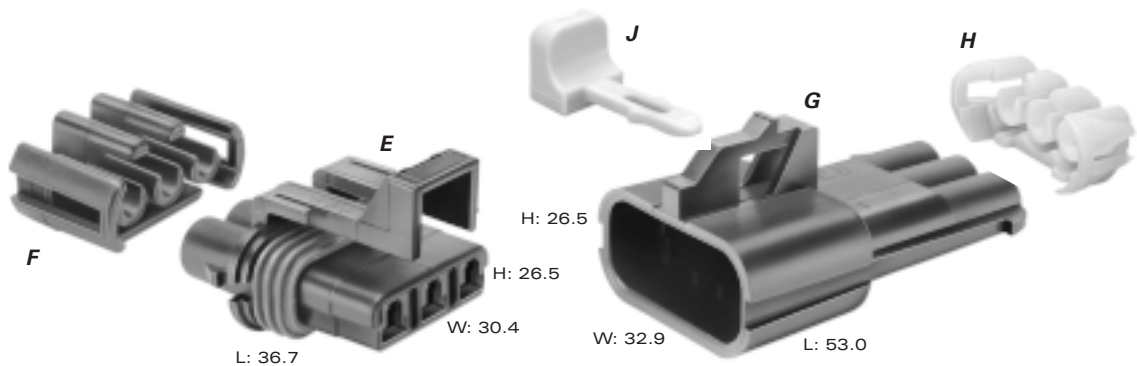
Total Mated Length: 66.8mm

A PART NO: 15300027
 DESCRIPTION: Connector Assembly 2F
 SIZE: 29.9L x 25.0H x 25.2W
 COLOR: Black
 MATERIAL: PA66 HS IM
 TERMINALS: See Page 84
 SEALS/PLUGS: See Page 84, 85

C PART NO: 15300002
 DESCRIPTION: Connector 2M
 SIZE: 53.0L x 20.0H x 25.2W
 COLOR: Black
 MATERIAL: PA66 HS IM
 TERMINALS: See Page 85
 SEALS/PLUGS: See Page 84, 85

B PART NO: 15300014
 DESCRIPTION: TPA
 NUMBER REQ.: 2
 COLOR: Blue
 MATERIAL: PA6

D PART NO: 15327747 (Optional)
 DESCRIPTION: Conduit TPA
 NUMBER REQ.: 2
 COLOR: Black
 MATERIAL: PA6



Total Mated Length: 76.1mm

E PART NO: 12040977
 DESCRIPTION: Connector Assembly 3F
 SIZE: 36.7L x 26.5H x 30.4W
 COLOR: Black
 MATERIAL: PA66 HS IM
 TERMINALS: See Page 84
 SEALS/PLUGS: See Page 84, 85

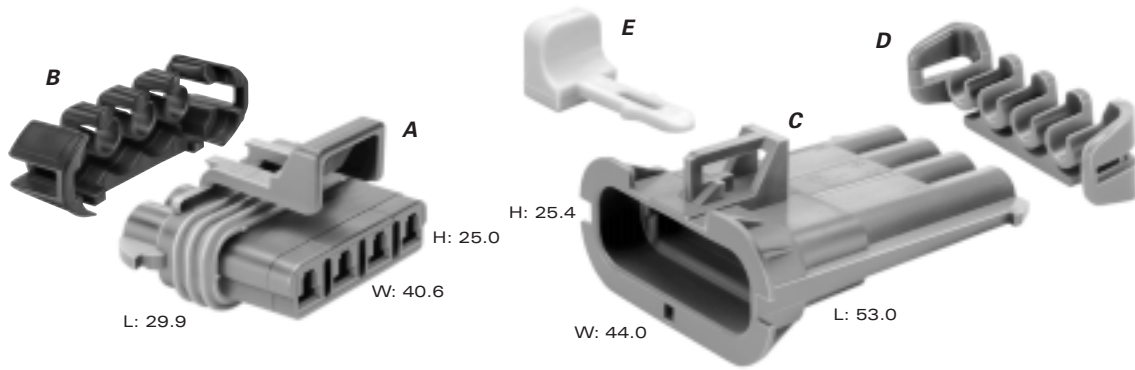
G PART NO: 15300003
 DESCRIPTION: Connector 3M (Clip Slot)
 SIZE: 53.0L x 26.5H x 32.9W
 COLOR: Black
 MATERIAL: PA66 HS IM
 TERMINALS: See Page 85
 SEALS/PLUGS: See Page 84, 85

F PART NO: 12034145
 DESCRIPTION: TPA
 COLOR: Black
 MATERIAL: PA6

H PART NO: 15300015
 DESCRIPTION: TPA
 COLOR: Natural
 MATERIAL: PA6

J PART NO: 12020833
 DESCRIPTION: CPA
 COLOR: Gray
 MATERIAL: PBT

<http://delphi.com/products/connect>



Total Mated Length: 66.7mm

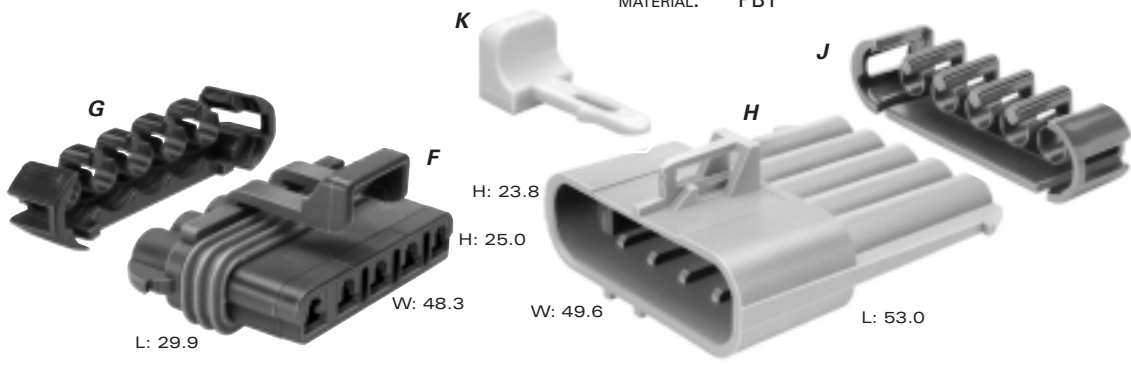
A PART NO: 12129565
 DESCRIPTION: Connector Assembly 4F
 SIZE: 29.9L x 25.0H x 40.6W
 COLOR: Md. Gray
 MATERIAL: PA66 HS IM
 TERMINALS: See Page 84
 SEALS/PLUGS: See Page 84, 85

C PART NO: 12129600
 DESCRIPTION: Connector 4M (Clip Slot-Self Locking)
 SIZE: 53.0L x 25.4H x 44.0W
 COLOR: Dk. Gray
 MATERIAL: PBT 30% GF
 TERMINALS: See Page 85
 SEALS/PLUGS: See Page 84, 85

B PART NO: 15300016
 DESCRIPTION: TPA
 COLOR: Black
 MATERIAL: PA6

D PART NO: 15324063
 DESCRIPTION: TPA
 COLOR: Blue
 MATERIAL: PA6

E PART NO: 12020833
 DESCRIPTION: CPA
 COLOR: Gray
 MATERIAL: PBT



Total Mated Length: 67.3mm

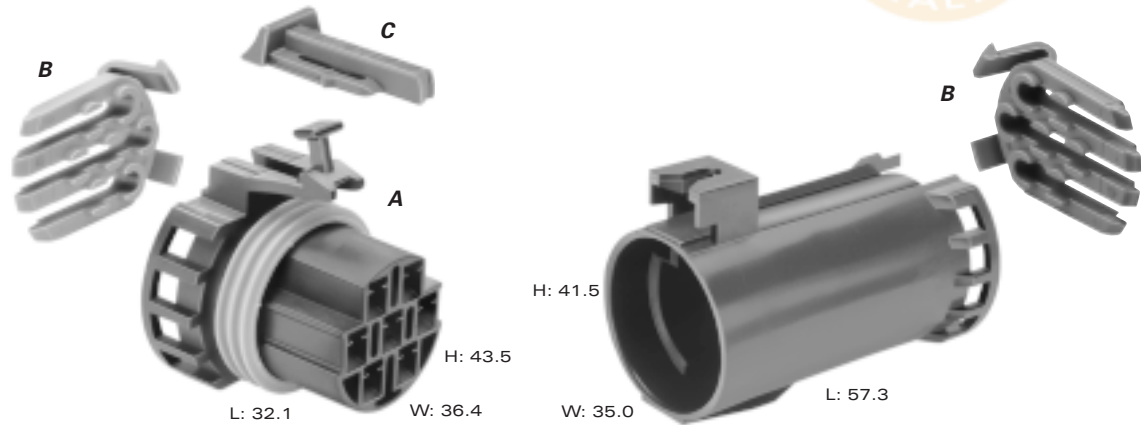
F PART NO: 12084891
 DESCRIPTION: Connector Assembly 5F
 SIZE: 29.9L x 25.0H x 48.3W
 COLOR: Md. Gray
 MATERIAL: PA66 HS IM
 TERMINALS: See Page 84
 SEALS/PLUGS: See Page 84, 85

H PART NO: 12186400
 DESCRIPTION: Connector 5M (Clip Slot-Self Locking)
 SIZE: 53.0L x 23.8H x 49.6W
 COLOR: Gray
 MATERIAL: PBT 30% GF
 TERMINALS: See Page 85
 SEALS/PLUGS: See Page 84, 85

G PART NO: 15324857
 DESCRIPTION: TPA
 COLOR: Black
 MATERIAL: PA6

J PART NO: 12084673
 DESCRIPTION: TPA
 COLOR: Black
 MATERIAL: PA6

K PART NO: 12020833
 DESCRIPTION: CPA
 COLOR: Gray
 MATERIAL: PBT



Total Mated Length: 77.3mm



A PART NO: 12110751 (Black)
12129613 (Md. Gray)
12146841 (Natural)

DESCRIPTION: Connector Assembly 7F
SIZE: 32.1L x 43.5H x 36.4W
MATERIAL: PA66 HS IM
TERMINALS: See Page 84
SEALS/PLUGS: See Page 84, 85

D PART NO: 12110753 (Black)
12129614 (Md. Gray)
12146840 (Natural)

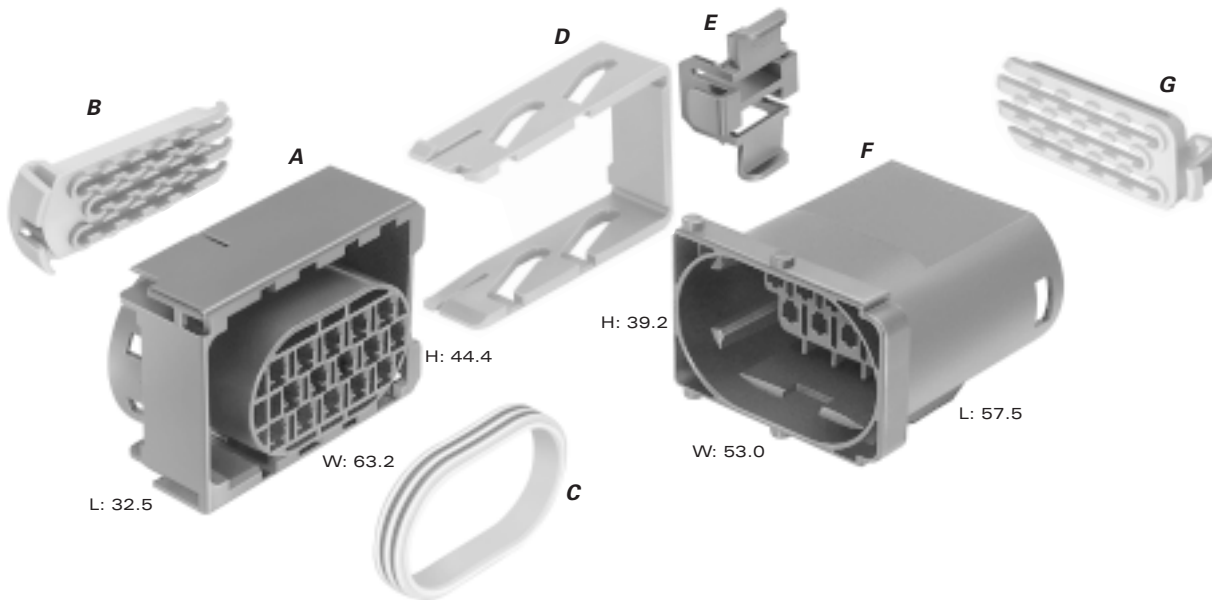
DESCRIPTION: Connector 7M (Clip Slot-Self Locking)
SIZE: 57.3L x 41.5H x 35.0W
MATERIAL: PA66 HS IM
TERMINALS: See Page 85
SEALS/PLUGS: See Page 84, 85

B PART NO: 12110754

DESCRIPTION: TPA
NUMBER REQ.: 2
COLOR: Lt. Gray
MATERIAL: PA6

C PART NO: 12052834

DESCRIPTION: CPA
COLOR: Green
MATERIAL: PP



Total Mated Length: 76.6mm

A PART NO: 12161186
 DESCRIPTION: Connector 15F
 SIZE: 32.5L x 44.4H x 63.2W
 COLOR: Black
 MATERIAL: PA66 HS IM
 TERMINALS: See Page 84
 SEALS/PLUGS: See Page 84, 85

F PART NO: 12161187
 DESCRIPTION: Connector 15M (Clip Slot-Self Locking)
 SIZE: 57.5L x 39.2H x 53.0W
 COLOR: Black
 MATERIAL: PA66 HS IM
 TERMINALS: See Page 85
 SEALS/PLUGS: See Page 84, 85

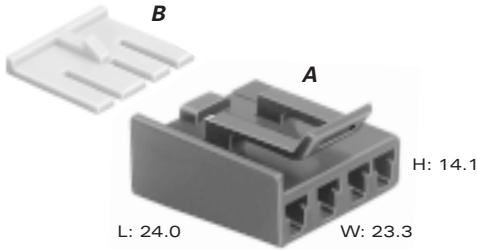
B PART NO: 12110782
 DESCRIPTION: TPA
 COLOR: Md. Gray
 MATERIAL: PA6

G PART NO: 12176865
 DESCRIPTION: TPA
 COLOR: Lt. Gray
 MATERIAL: PA6

C PART NO: 12110822
 DESCRIPTION: Connector Seal
 COLOR: Green
 MATERIAL: Silicone

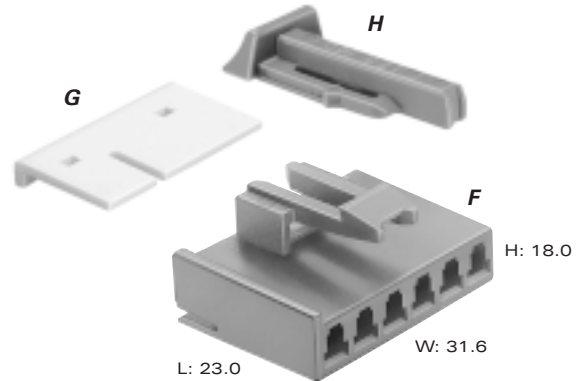
D PART NO: 12161185
 DESCRIPTION: CPA Slide Lock Assist
 COLOR: Dk. Gray
 MATERIAL: PA66 HS IM 14% GF

E PART NO: 12176640
 DESCRIPTION: Spacer Lock
 COLOR: Black
 MATERIAL: PP



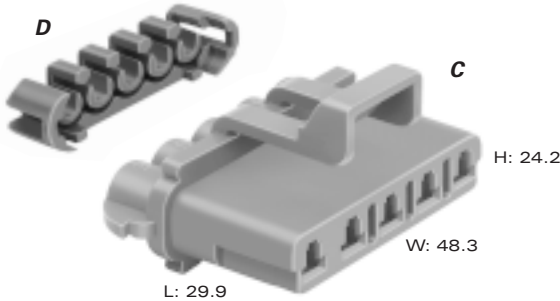
A PART NO: 12052856
 DESCRIPTION: Connector 4F
 SIZE: 24.0L x 14.1H x 23.3W
 COLOR: Black
 MATERIAL: PA66 HS IM
 TERMINALS: See Page 78
 TYPICAL APP: Dimmer Switch

B PART NO: 15324456
 DESCRIPTION: TPA
 COLOR: Lt. Gray
 MATERIAL: PA6



F PART NO: 12092254
 DESCRIPTION: Connector 6F
 SIZE: 23.0L x 18.0H x 31.6W
 COLOR: Black
 MATERIAL: PA66 HS IM
 TERMINALS: See Page 78
 TYPICAL APP: Wiper Switch

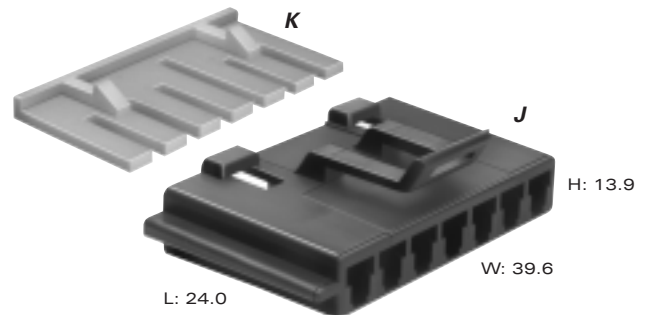
G PART NO: 12162298
 DESCRIPTION: TPA
 COLOR: Cream
 MATERIAL: PA6



C PART NO: 12084890
 DESCRIPTION: Connector 5F
 SIZE: 29.9L x 24.2H x 48.3W
 COLOR: Md. Gray
 MATERIAL: PA66 HS IM
 TERMINALS: See Page 78
 TYPICAL APP: Tail Lamp Module

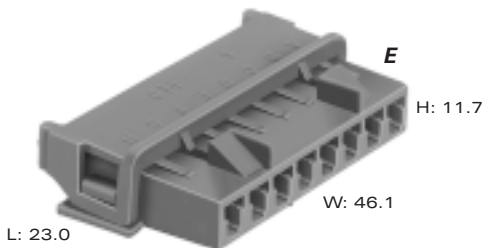
D PART NO: 15324857
 DESCRIPTION: TPA
 COLOR: Black
 MATERIAL: PA6

H PART NO: 12052834
 DESCRIPTION: CPA
 COLOR: Green
 MATERIAL: PP

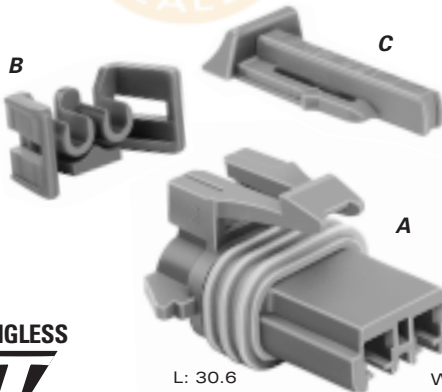


J PART NO: 12052854
 DESCRIPTION: Connector 7F
 SIZE: 24.0L x 13.9H x 39.6W
 COLOR: Black
 MATERIAL: PA66 HS IM
 TERMINALS: See Page 78
 TYPICAL APP: Wiper Switch

K PART NO: 12124811
 DESCRIPTION: TPA
 COLOR: Natural
 MATERIAL: PA6



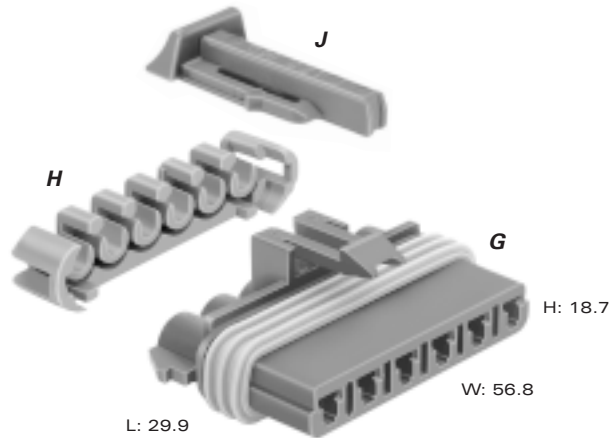
E PART NO: 12041301*
 DESCRIPTION: Connector 8F
 SIZE: 23.0L x 11.7H x 46.1W
 COLOR: Black
 MATERIAL: PP
 TERMINALS: See Page 78
 TYPICAL APP: Various
 *HINGED SECONDARY LOCK.



A PART NO: 12129487
 DESCRIPTION: Connector Assembly 2F
 SIZE: 30.6L x 20.9H x 26.0W
 COLOR: Md. Gray
 MATERIAL: PA66 HS IM
 TERMINALS: See Page 84
 SEALS/PLUGS: See Page 84, 85
 TYPICAL APP: Window Lift Motor

B PART NO: 12077904
 DESCRIPTION: TPA
 COLOR: Blue
 MATERIAL: PA6

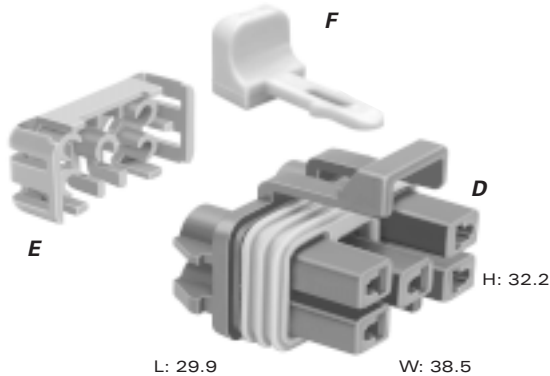
C PART NO: 12052834
 DESCRIPTION: CPA
 COLOR: Green
 MATERIAL: PP



G PART NO: 12059573
 DESCRIPTION: Connector Assembly 6F
 SIZE: 29.9L x 18.7H x 56.8W
 COLOR: Black
 MATERIAL: PA66
 TERMINALS: See Page 84
 SEALS/PLUGS: See Page 84, 85
 TYPICAL APP: Various

H PART NO: 12059195
 DESCRIPTION: TPA
 COLOR: Blue
 MATERIAL: PA6

J PART NO: 12052834
 DESCRIPTION: CPA
 COLOR: Green
 MATERIAL: PP



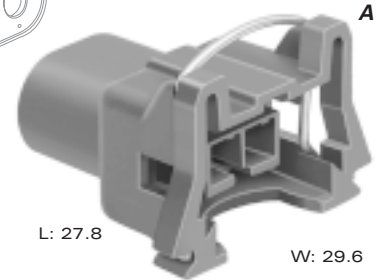
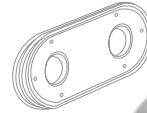
D PART NO: 12124634
 DESCRIPTION: Connector Assembly 5F
 SIZE: 29.9L x 32.2H x 38.5W
 COLOR: Black
 MATERIAL: PA6
 TERMINALS: See Page 84
 SEALS/PLUGS: See Page 84, 85
 TYPICAL APP: Wiper Switch

E PART NO: 12052816
 DESCRIPTION: TPA
 COLOR: Md. Gray
 MATERIAL: PA6

F PART NO: 12020833
 DESCRIPTION: CPA
 COLOR: Gray
 MATERIAL: PBT



Multiple Cable Seal
(Included)



H: 20.0

L: 27.8

W: 29.6

A PART NO: **12129142 (Black/Gray Seal)**
2.66 - 2.0 Cable O.D.

PART NO: **12129140 (Black/Purple Seal)**
2.15 - 1.65 Cable O.D.

PART NO: **12110179 (Black/Red Seal)**
1.85 - 1.47 Cable O.D.

DESCRIPTION: Connector Assembly 2F

SIZE: 27.8L x 20.0H x 29.6W

MATERIAL: PA66 HS 33% GF

TERMINALS: See Page 84

TYPICAL APP: Fuel Injector

Metri-Pack Series

480



Available in device and in-line connections for vehicle applications, Metri-Pack 480 Series connectors can meet or exceed the requirements for most marine, appliance, and industrial control applications.

Ideally suited for high current applications that do not require environmental protection, Metri-Pack 480 Series products are extremely rugged and versatile.



Available in device and in-line connections for underhood vehicle applications, Metri-Pack 480 Series sealed connectors can meet or exceed the requirements for most marine, appliance, and industrial control applications.

Utilizing triple-rib peripheral silicone rubber seals, Metri-Pack 480 Series sealed systems are ideally suited for high current applications that require protection from environmental hazards.



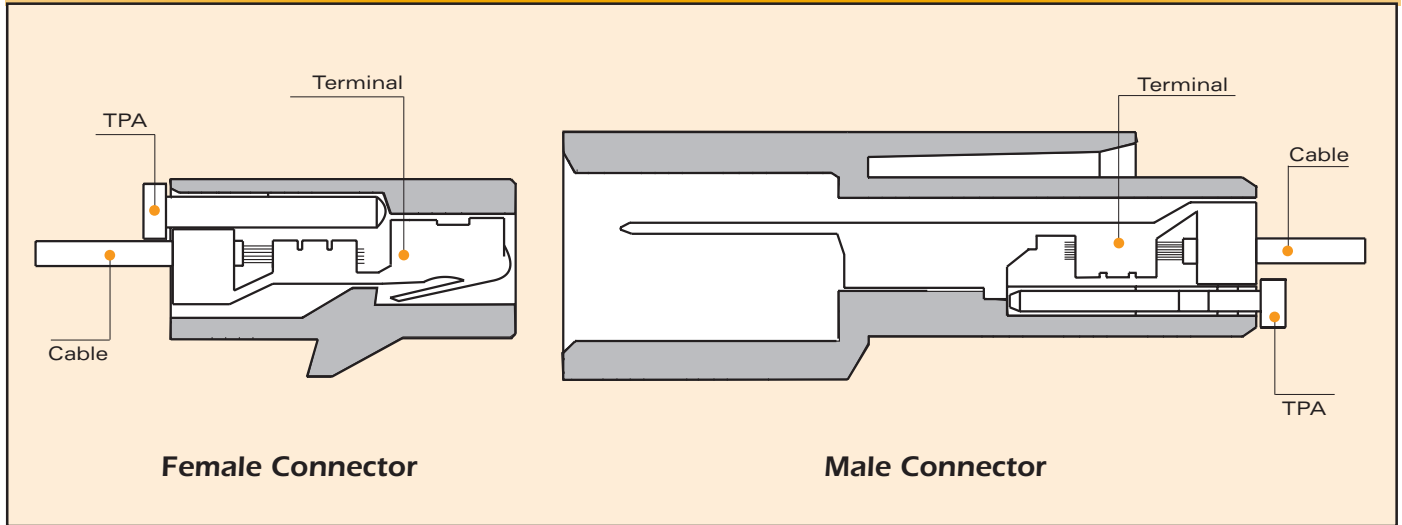
METRI-PACK 480

480 Metri-Pack Features

- Connector Position Assurance (CPA)
- Terminal Position Assurance (TPA)
- 42 Amps continuous maximum current rating
- Low energy, low voltage capability
- Excellent resistance to temperature, chemicals and abrasion
- -40°C to 125°C temperature range



Cross Sectional View



Female Connector

Male Connector



TPA
(Terminal Position Assurance)



Female Terminal



CPA
(Connector Position Assurance)

Female Connector



480 FEMALE TERMINALS UNSEALED

Part #	Cable Range (mm ²)	Material	Plating
12084595	5.0	Tin Brass	Tin
12052221	3.0	Tin Brass	Tin
12124304	2.0-1.0	Tin Brass	Tin
12015860	0.80	Tin Brass	Tin
12052219	0.50-0.35	Tin Brass	Tin
12020366	1.0-0.50 (1 Req'd.)	Tin Brass	Tin
	0.80-0.50 (1 Req'd.)		

480 FEMALE CONNECTORS UNSEALED

# Cavities	Connector	Color	Material	TPA
1	12015952	Md. Gray	PA66 HS IM	-
2	12064749	Black	PA66 HS IM	12059860

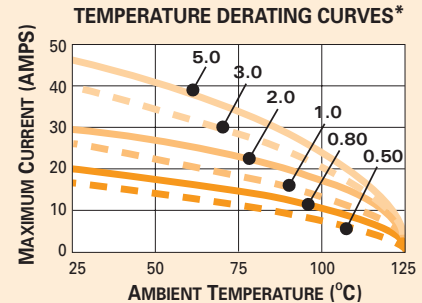
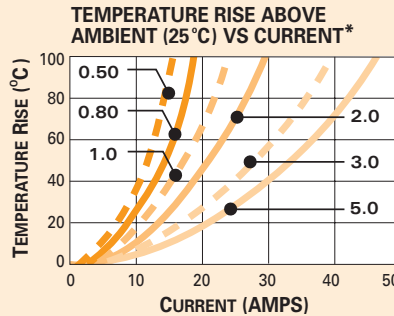
<http://delphi.com/products/connect>



Unsealed System Application Information

CABLE RANGE (mm²): 0.35-5.0
CURRENT RANGE (AMPS): 0-42
TEMP RANGE °C: -40 to 125
RESISTANCE: <10mΩ@20mV
VOLTAGE DROP: <3.0mV/amp
CENTERLINE SPACING (mm): 6.9
BLADE WIDTH (mm): 4.8

480 SERIES TERMINALS-Tin Plated



*The test data are based on single circuits in free space and were generated using a "Lumped Resistance" model. This model does not account for all of the variables that would be present in an actual application. For actual product performance, contact your regional support representative at the number listed below.



Male Connector

Male Terminal



TPA
(Terminal Position Assurance)



480 MALE CONNECTORS UNSEALED

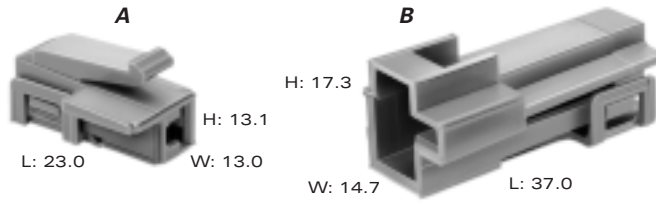
# Cavities	Connector	Color	Material	TPA
1	12015987	Md. Gray	PA66 HS IM	-
2	12064750	Black	PA6	12064751

480 MALE TERMINALS UNSEALED

Part #	Cable Range (mm ²)	Material	Plating
12033820	5.0	Tin Brass	Tin over Copper
12052827	3.0	Tin Brass	Tin over Copper
12020120	2.0-1.0	Tin Brass	Tin over Copper
12020119	1.0-0.80	Tin Brass	Tin over Copper
12066269	0.50-0.35	Tin Brass	Tin over Copper
12020784	0.35 (2 Req'd.)	Tin Brass	Tin over Copper

SECTION NOTES:

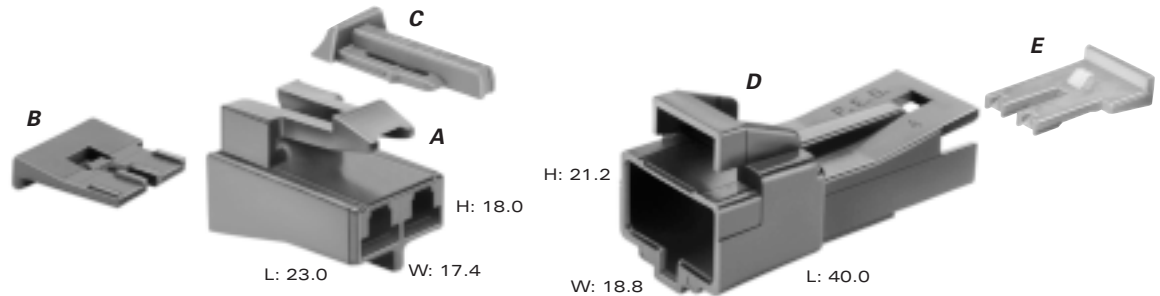
- Contact your regional support representative at the number listed below.
- Due to rigid tolerances of connector cavities, it is critical to meet all crimp dimensions as specified.
- Female connections for device applications, see page 103.



Total Mated Length: 49.6mm

A PART NO: 12015952*
 DESCRIPTION: Connector 1F
 SIZE: 23.0L x 13.1H x 13.0W
 COLOR: Md. Gray
 MATERIAL: PA66 HS IM
 TERMINALS: See Page 96
 *HINGED SECONDARY LOCK

B PART NO: 12015987*
 DESCRIPTION: Connector 1M
 SIZE: 37.0L x 17.3H x 14.7W
 COLOR: Md. Gray
 MATERIAL: PA66 HS IM
 TERMINALS: See Page 97
 *HINGED SECONDARY LOCK



Total Mated Length: 53.9mm

A PART NO: 12064749
 DESCRIPTION: Connector 2F
 SIZE: 23.0L x 18.0H x 17.4W
 COLOR: Black
 MATERIAL: PA66 HS IM
 TERMINALS: See Page 96

D PART NO: 12064750
 DESCRIPTION: Connector 2M (Clip Slot)
 SIZE: 40.0L x 21.2H x 18.8W
 COLOR: Black
 MATERIAL: PA6
 TERMINALS: See Page 97

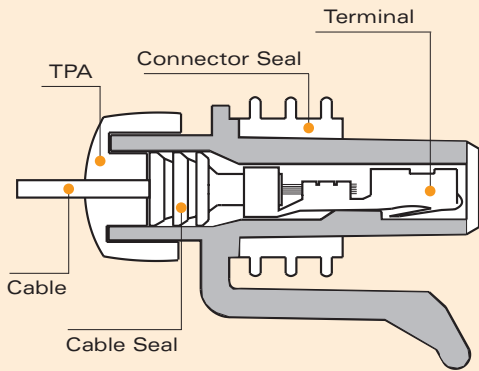
B PART NO: 12059860
 DESCRIPTION: TPA
 COLOR: Md. Gray
 MATERIAL: PA66 HS IM

E PART NO: 12064751
 DESCRIPTION: TPA
 COLOR: Natural
 MATERIAL: PA66 HS IM

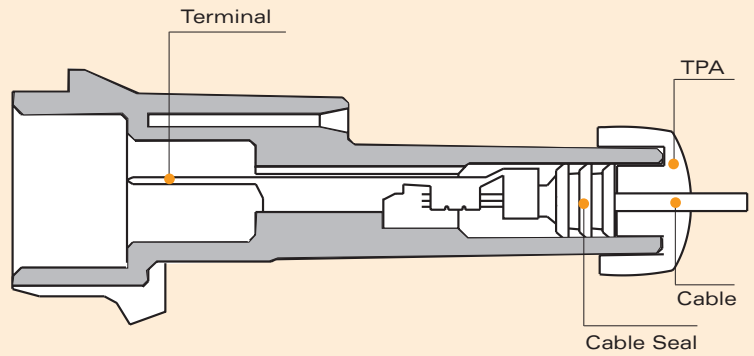
C PART NO: 12052834
 DESCRIPTION: CPA
 COLOR: Green
 MATERIAL: PP



Cross Sectional View



Female Connector Assembly



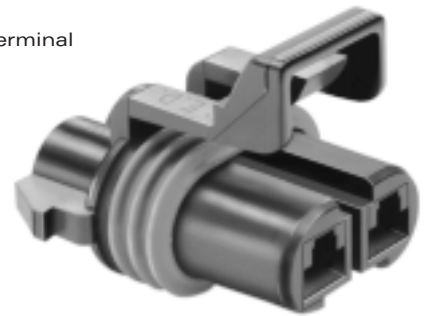
Male Connector

TPA
(Terminal Position Assurance)



Cable Seal

Female Terminal



Female Connector Assembly

480 FEMALE TERMINALS SEALED

Part #	Cable Range (mm ²)	Material	Plating
12052139	5.0-3.0	Tin Brass	Tin
12048451	2.0-1.0	Tin Brass	Tin
12048450	0.80-0.50	Tin Brass	Tin



480 METRI-PACK CABLE SEALS

Reel Part #	Loose Part #	Cable Diameter	Material	Color
12065703	12034170	5.16-4.40	Silicone	Orange
12052453	12048443	4.50-3.61	Silicone	Purple
12052452	12048442	3.75-2.81	Silicone	Red
12048433	12048441	2.85-2.01	Silicone	White
12052931	12052930	2.15-1.60	Silicone	Yellow
12162068	12162067	1.70-1.29	Silicone	Pink

480 FEMALE CONNECTOR ASSEMBLY SEALED

# Cavities	Conn. Asm.	Color	Material	TPA
2	12052613	Black	PA66 HS IM	12059897

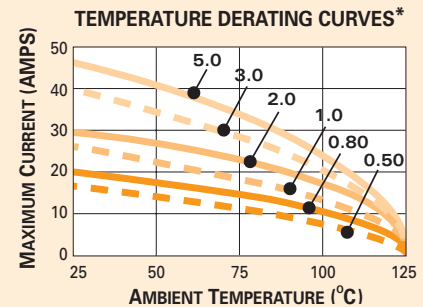
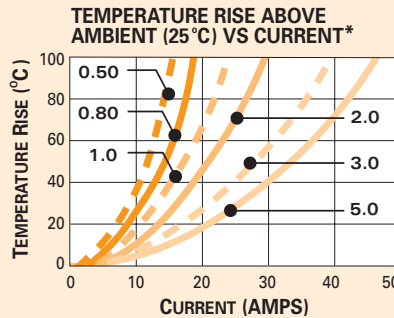
<http://delphi.com/products/connect>



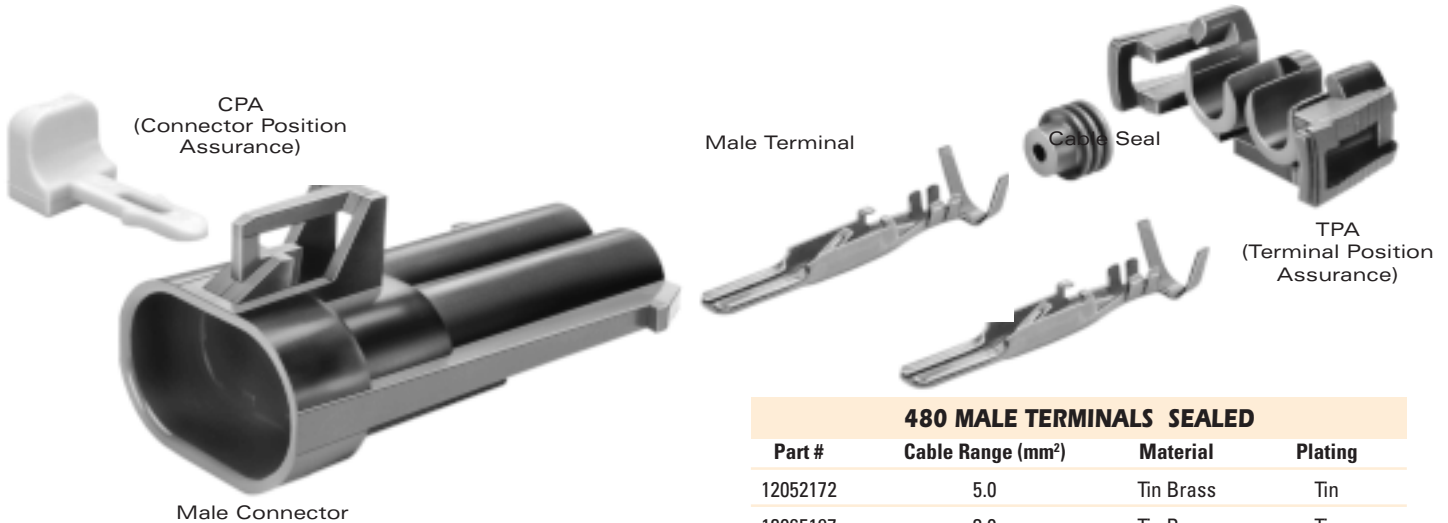
Sealed System Application Information

CABLE RANGE (mm²): 0.50-5.0
CURRENT RANGE (AMPS): 0-42
TEMP RANGE °C: -40 to 125
RESISTANCE: <10mΩ@20mV
VOLTAGE DROP: <3.0mV/amp
CENTERLINE SPACING (mm): 9.5
BLADE WIDTH (mm): 4.8

480 SERIES TERMINALS-Tin Plated



*The test data are based on single circuits in free space and were generated using a "Lumped Resistance" model. This model does not account for all of the variables that would be present in an actual application. For actual product performance, contact your regional support representative at the number listed below.



480 MALE TERMINALS SEALED			
Part #	Cable Range (mm ²)	Material	Plating
12052172	5.0	Tin Brass	Tin
12065197	3.0	Tin Brass	Tin
12065196	2.0-1.0	Tin Brass	Tin

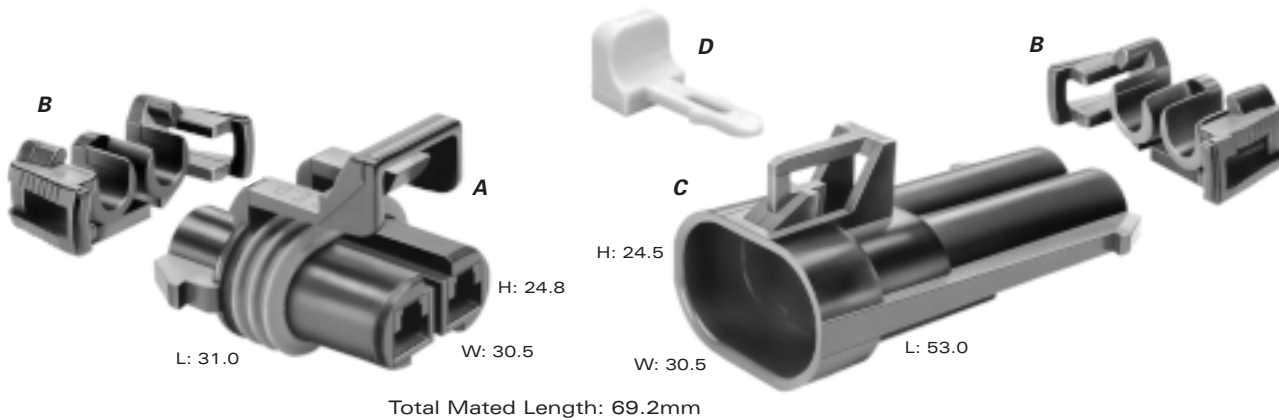
480 MALE CONNECTOR SEALED				
# Cavities	Connector	Color	Material	TPA
2	12065863	Black	PA66 HS IM	12059897

480 METRI-PACK CAVITY PLUG*			
Part #	Cavity Inside Diameter	Material	Color
12066082	8.5mm	Silicone	Lt. Green

*Cavity plugs seal unused female and male cavities

SECTION NOTES:

- Contact your regional support representative at the number listed below.
- Due to rigid tolerances of connector cavities, it is critical to meet all crimp dimensions as specified.
- Female connections for device applications, see page 104.

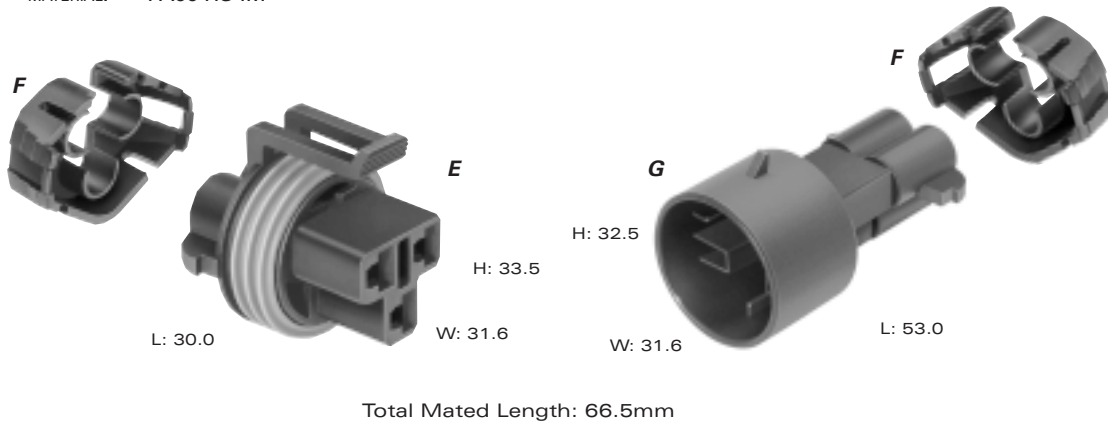


A PART NO: 12052613
 DESCRIPTION: Connector Assembly 2F
 SIZE: 31.0L x 24.8H x 30.5W
 COLOR: Black
 MATERIAL: PA66 HS IM
 TERMINALS: See Page 100
 SEALS/PLUGS: See Page 100, 101

C PART NO: 12065863
 DESCRIPTION: Connector 2M (Clip Slot)
 SIZE: 53.0L x 24.5H x 30.5W
 COLOR: Black
 MATERIAL: PA66 HS IM
 TERMINALS: See Page 101
 SEALS/PLUGS: See Page 100, 101

B PART NO: 12059897
 DESCRIPTION: TPA
 NUMBER REQ: 2
 COLOR: Black
 MATERIAL: PA66 HS IM

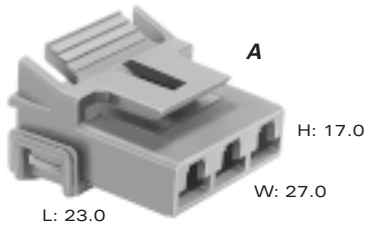
D PART NO: 12020833
 DESCRIPTION: CPA
 COLOR: Gray
 MATERIAL: PBT



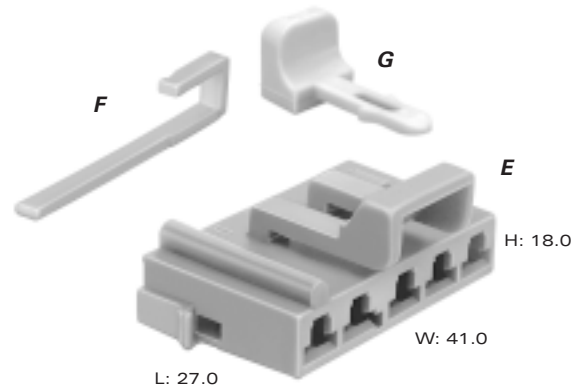
E PART NO: 12131592
 DESCRIPTION: Connector Assembly 3F
 SIZE: 30.0L x 33.5H x 31.6W
 COLOR: Black
 MATERIAL: PA66
 TERMINALS: See Page 100
 SEALS/PLUGS: See Page 100, 101

G PART NO: 15344628
 DESCRIPTION: Connector 3M
 SIZE: 53.0L x 32.5H x 31.6W
 COLOR: Black
 MATERIAL: PA66 25% GF
 TERMINALS: See Page 101
 SEALS/PLUGS: See Page 100, 101

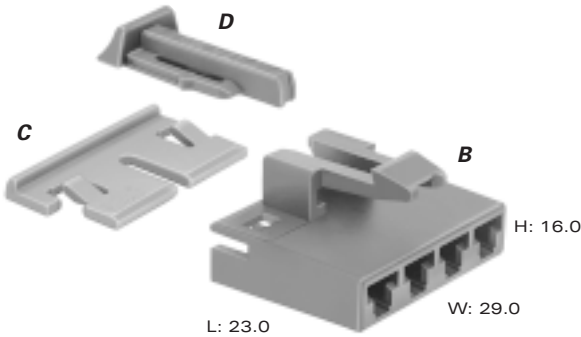
F PART NO: 12131543
 DESCRIPTION: TPA
 NUMBER REQ: 2
 COLOR: Black
 MATERIAL: PA66



A PART NO: 12162512*
 DESCRIPTION: Connector 3F
 SIZE: 23.0L x 17.0H x 27.0W
 COLOR: Black
 MATERIAL: PA6
 TERMINALS: See Page 96
 TYPICAL APP: Switch
 *HINGED SECONDARY LOCK



E PART NO: 12059296
 DESCRIPTION: Connector 5F
 SIZE: 27.0L x 18.0H x 41.0W
 COLOR: Red
 MATERIAL: PA6
 TERMINALS: See Page 96
 TYPICAL APP: Switch



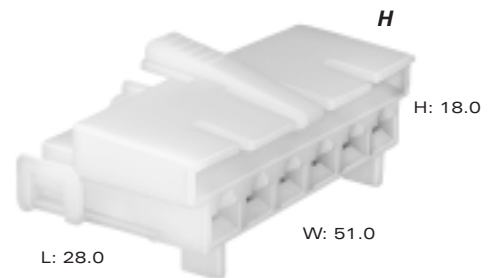
B PART NO: 12066571
 DESCRIPTION: Connector 4F
 SIZE: 23.0L x 16.0H x 29.0W
 COLOR: Black
 MATERIAL: PA66 HS IM
 TERMINALS: See Page 96
 TYPICAL APP: Various

F PART NO: 12059297
 DESCRIPTION: Secondary Lock
 COLOR: Natural
 MATERIAL: PBT

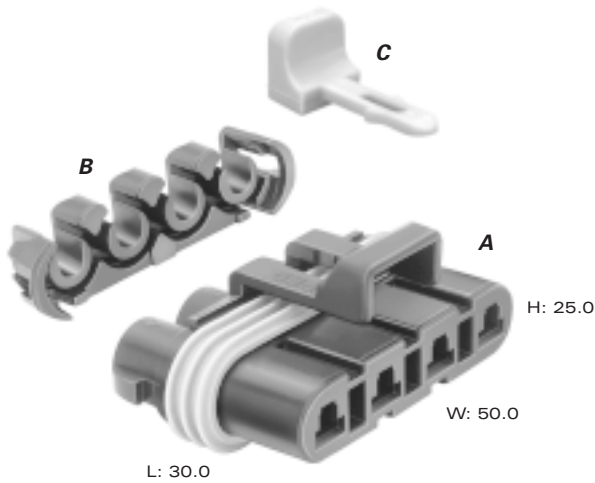
G PART NO: 12020833
 DESCRIPTION: CPA
 COLOR: Gray
 MATERIAL: PBT

C PART NO: 12066572
 DESCRIPTION: TPA
 COLOR: Md. Gray
 MATERIAL: PA66 HS IM

D PART NO: 12052834
 DESCRIPTION: CPA
 COLOR: Green
 MATERIAL: PP



H PART NO: 12034061*
 DESCRIPTION: Connector 6F
 SIZE: 28.0L x 18.0H x 51.0W
 COLOR: Natural
 MATERIAL: PA66 HS IM
 TERMINALS: See Page 96
 TYPICAL APP: Switch
 *HINGED SECONDARY LOCK



A PART NO: 12048412
 DESCRIPTION: Connector Assembly 4F
 SIZE: 30.0L x 25.0H x 50.0W
 COLOR: Black
 MATERIAL: PA6
 TERMINALS: See Page 100
 SEALS/PLUGS: See Page 100, 101
 TYPICAL APP: Resistor Pack

B PART NO: 12048413
 DESCRIPTION: TPA
 COLOR: Black
 MATERIAL: PA6

C PART NO: 12020833
 DESCRIPTION: CPA
 COLOR: Gray
 MATERIAL: PBT

Metri-Pack Series

630



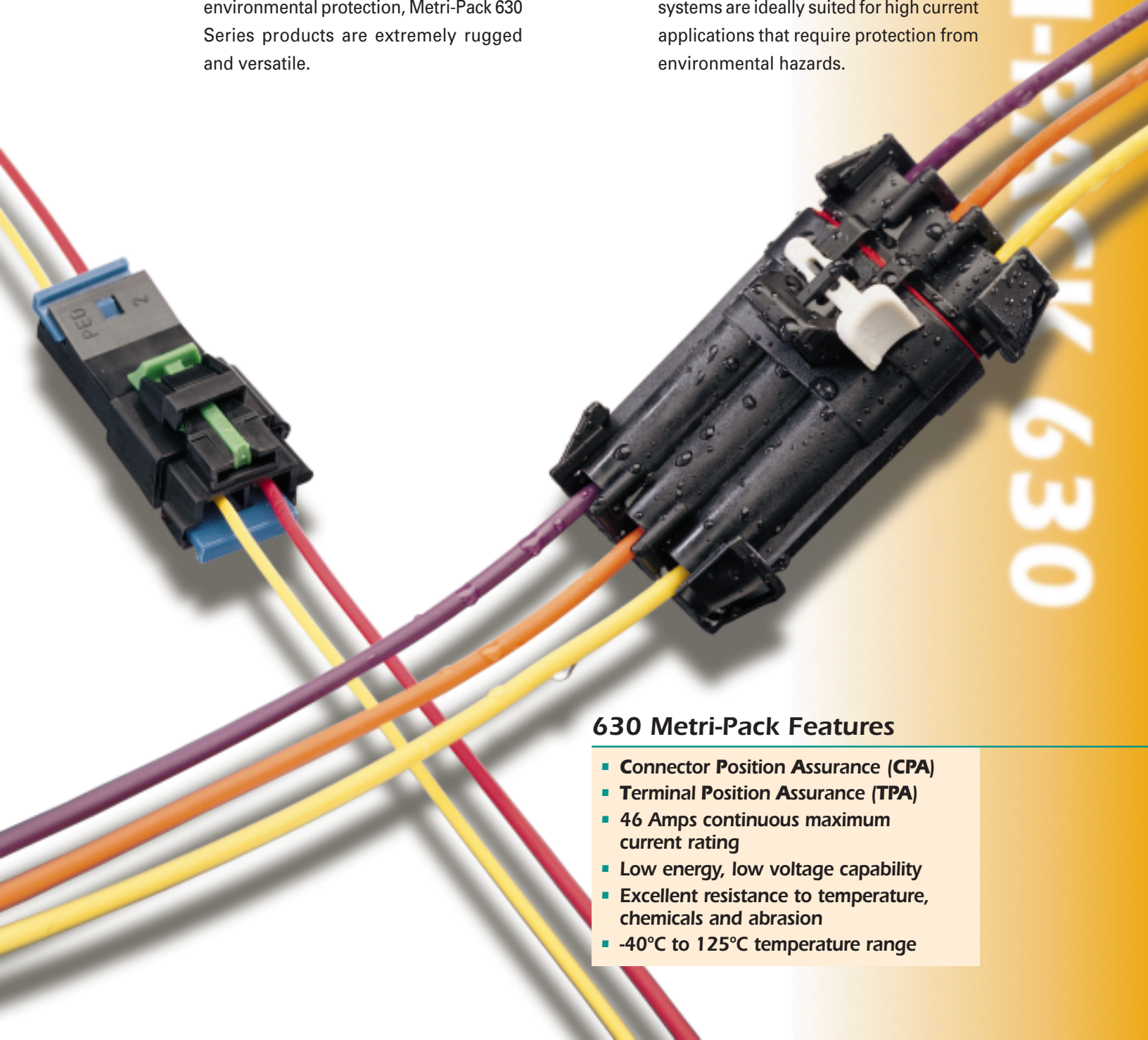
Available in device and in-line connections for vehicle applications, Metri-Pack 630 Series connectors can meet or exceed the requirements for most marine, appliance, and industrial control applications.

Ideally suited for high current applications that do not require environmental protection, Metri-Pack 630 Series products are extremely rugged and versatile.



Available in device and in-line connections for underhood vehicle applications, Metri-Pack 630 Series sealed connectors can meet or exceed the requirements for most marine, appliance, and industrial control applications.

Utilizing triple-rib peripheral silicone rubber seals, Metri-Pack 630 Series sealed systems are ideally suited for high current applications that require protection from environmental hazards.

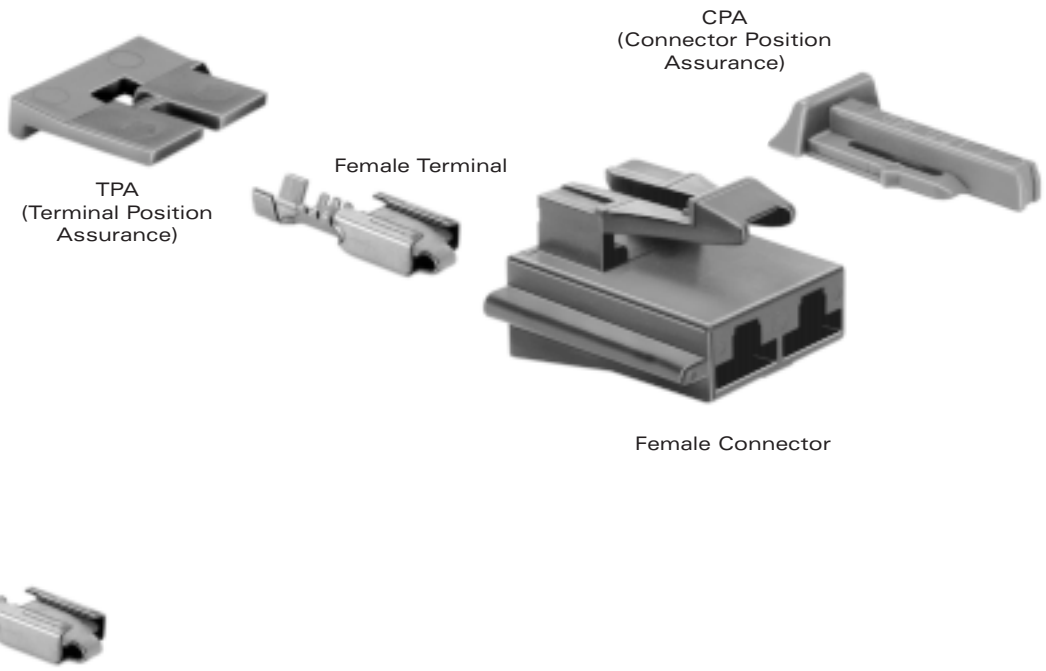
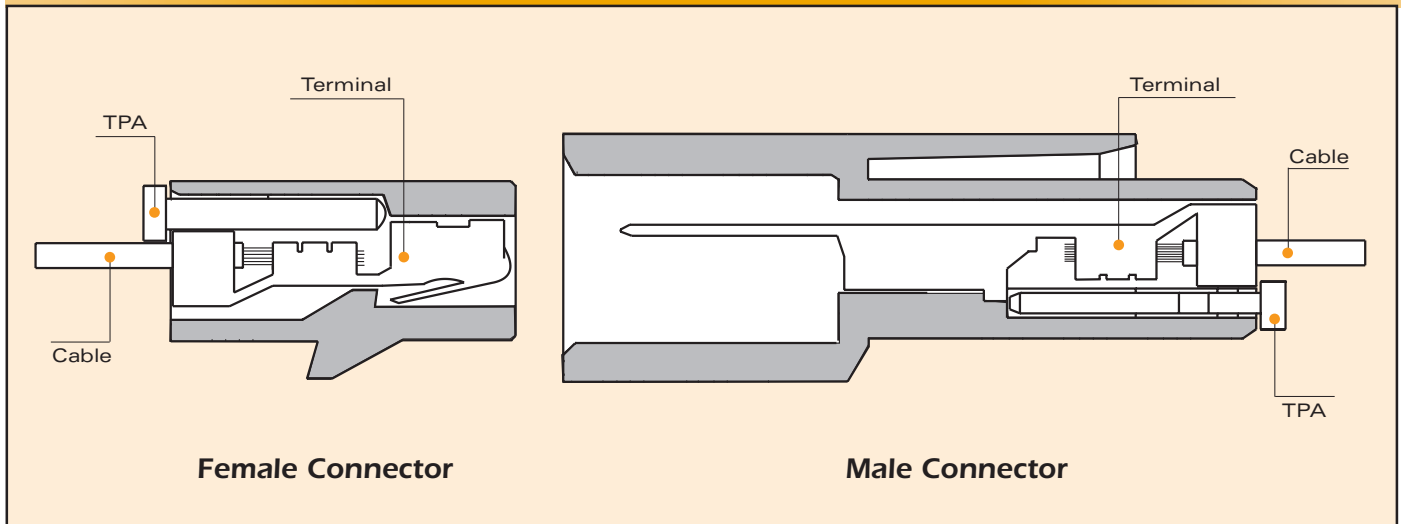


630 Metri-Pack Features

- Connector Position Assurance (CPA)
- Terminal Position Assurance (TPA)
- 46 Amps continuous maximum current rating
- Low energy, low voltage capability
- Excellent resistance to temperature, chemicals and abrasion
- -40°C to 125°C temperature range



Cross Sectional View



630 FEMALE TERMINALS UNSEALED			
Part #	Cable Range (mm ²)	Material	Plating
12084590	5.0	Tin Brass	Tin
12052224	3.0	Tin Brass	Tin
12084596	3.0 (2 Req'd.)	Tin Brass	Tin
12015870	2.0-1.0	Tin Brass	Tin
12015869	1.0-0.80	Tin Brass	Tin
12020035	0.80-0.50 (2 Req'd.)	Tin Brass	Tin
12052222	0.50-0.35	Tin Brass	Tin

630 FEMALE CONNECTORS UNSEALED				
# Cavities	Connector	Color	Material	TPA
2	12129939	Black	PA66 HS IM	12129940
4	12015664	Black	PA6	-

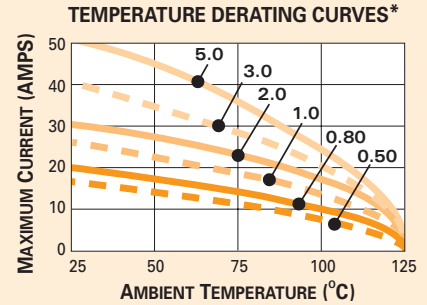
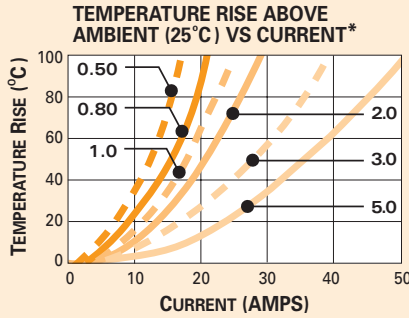
<http://delphi.com/products/connect>



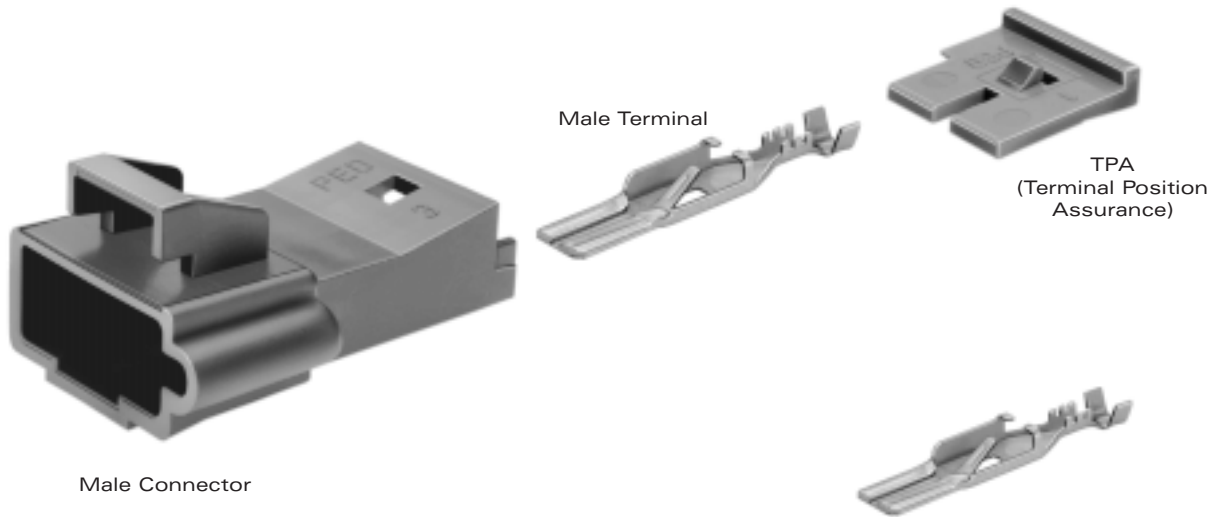
Unsealed System Application Information

CABLE RANGE (mm²): 0.35-5.0
CURRENT RANGE (AMPS): 0-46
TEMP RANGE °C: -40 to 125
RESISTANCE: <10mΩ@20mV
VOLTAGE DROP: <3.0mV/amp
CENTERLINE SPACING (mm): 8.5
BLADE WIDTH (mm): 6.3

630 SERIES TERMINALS-Tin Plated



*The test data are based on single circuits in free space and were generated using a "Lumped Resistance" model. This model does not account for all of the variables that would be present in an actual application. For actual product performance, contact your regional support representative at the number listed below.



630 MALE CONNECTORS UNSEALED

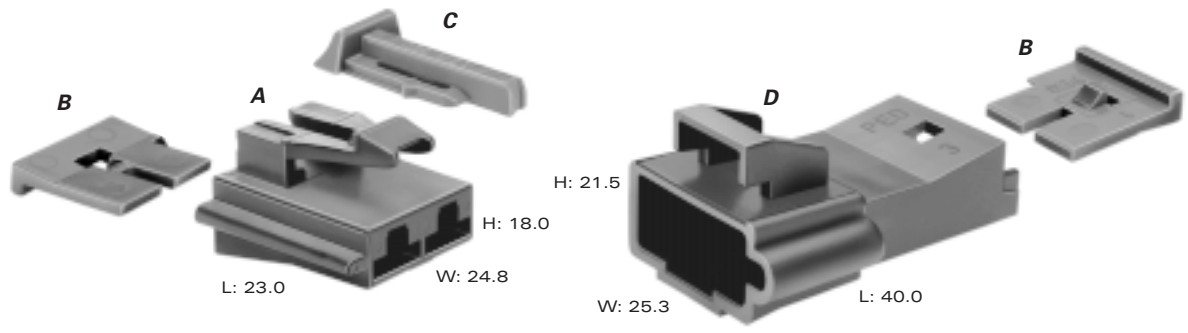
# Cavities	Connector	Color	Material	TPA
2	12129938	Black	PA66 HS IM	12129940
4	12052623	Black	PA6	-

630 MALE TERMINALS UNSEALED

Part #	Cable Range (mm ²)	Material	Plating
12066493	5.0	Tin Brass	Tin over Copper
12052826	3.0	Tin Brass	Tin over Copper
12020365	3.0 (2 Req'd.)	Tin Brass	Tin over Copper
12020126	2.0-1.0	Tin Brass	Tin over Copper
12020125	1.0-0.80	Tin Brass	Tin over Copper
12033972	0.80-0.50 (2 Req'd.)	Tin Brass	Tin over Copper
12066454	0.50-0.35	Tin Brass	Tin over Copper

SECTION NOTES:

- Contact your regional support representative at the number listed below.
- Due to rigid tolerances of connector cavities, it is critical to meet all crimp dimensions as specified.



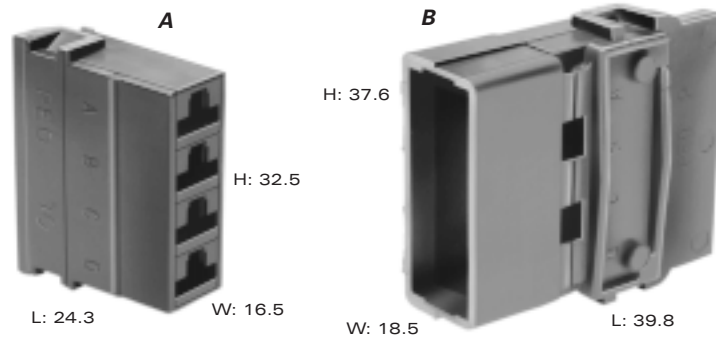
Total Mated Length: 53.0mm

A PART NO: 12129939
 DESCRIPTION: Connector 2F
 SIZE: 23.0L x 18.0H x 24.8W
 COLOR: Black
 MATERIAL: PA66 HS IM
 TERMINALS: See Page 106

D PART NO: 12129938
 DESCRIPTION: Connector 2M (Clip Slot-Self Locking)
 SIZE: 40.0L x 21.5H x 25.3W
 COLOR: Black
 MATERIAL: PA66 HS IM
 TERMINALS: See Page 107

B PART NO: 12129940
 DESCRIPTION: TPA
 NUMBER REQ: 2
 COLOR: Blue
 MATERIAL: PA6

C PART NO: 12052834
 DESCRIPTION: CPA
 COLOR: Green
 MATERIAL: PP



Total Mated Length: 53.1mm

A PART NO: 12015664*

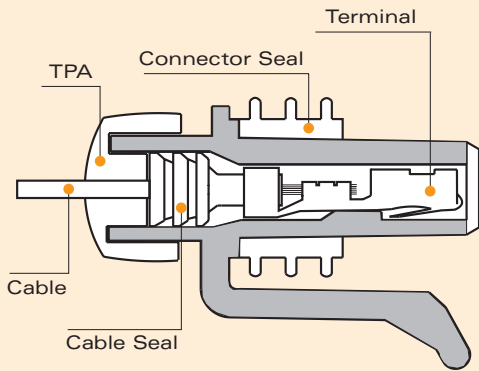
DESCRIPTION: Connector 4F
SIZE: 24.3L x 32.5H x 16.5W
COLOR: Black
MATERIAL: PA6
TERMINALS: See Page 106
*HINGED SECONDARY LOCK.

B PART NO: 12052623*

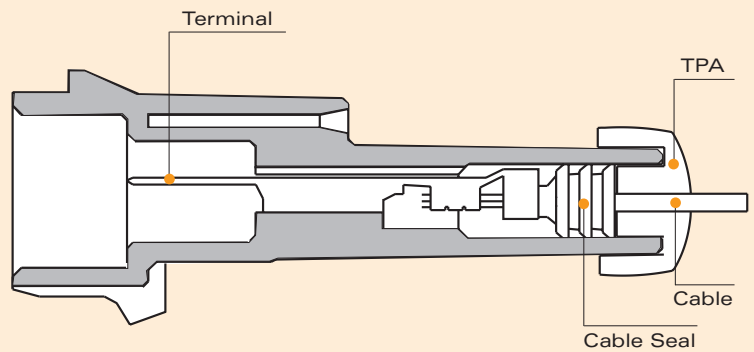
DESCRIPTION: Connector 4M
SIZE: 39.8L x 37.6H x 18.5W
COLOR: Black
MATERIAL: PA6
TERMINALS: See Page 107
*HINGED SECONDARY LOCK.



Cross Sectional View



Female Connector Assembly



Male Connector

TPA
(Terminal Position Assurance)



Cable Seal

Female Terminal



Female Connector Assembly

630 FEMALE TERMINALS SEALED

Part #	Cable Range (mm ²)	Material	Plating
12052456	5.0-3.0	Tin Brass	Tin
12052455	2.0-1.0	Tin Brass	Tin
12052457	0.80-0.50	Tin Brass	Tin



630 FEMALE PULL-TO-SEAT TERMINALS

Part #	Cable Range (mm ²)	Material	Plating
12033997	5.0-3.0	Tin Brass	Tin
12066614	2.0-1.0	Tin Brass	Tin
12020156	0.80-0.50	Tin Brass	Tin



630 METRI-PACK CABLE SEALS

Reel Part #	Loose Part #	Cable Diameter	Material	Color
12059257	12052386	5.15-4.40	Silicone	Green
12059260	12052668	4.50-3.61	Silicone	Blue
12059258	12052387	3.75-2.81	Silicone	Lt. Gray
12059259	12052388	2.85-2.01	Silicone	Dk. Red
12077760	12077759	2.15-1.65	Silicone	Tan

630 FEMALE CONNECTOR ASSEMBLY SEALED

# Cavities	Conn. Asm.	Color	Material	TPA
3	12124685	Black	PA6	12045699

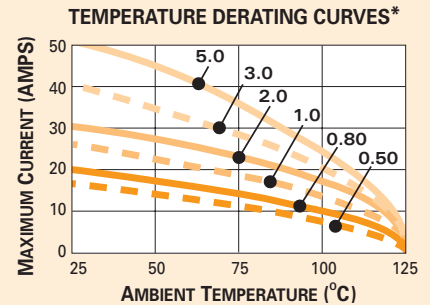
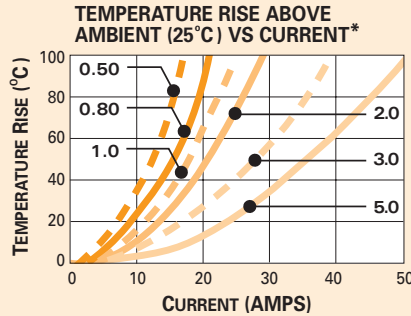
<http://delphi.com/products/connect>



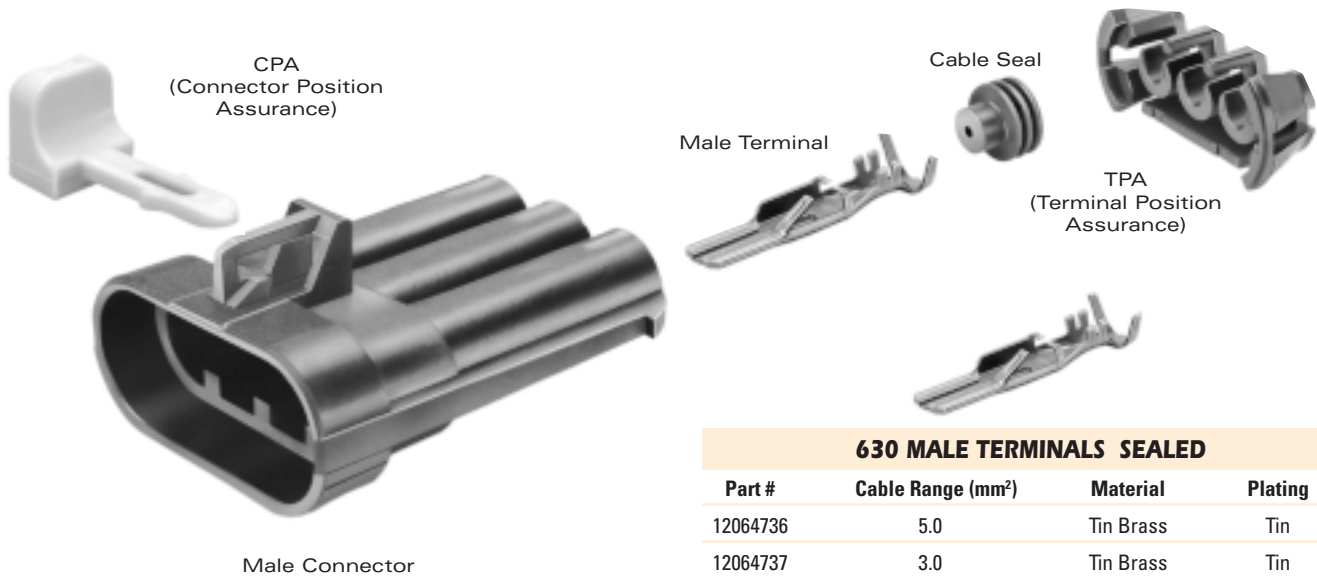
Sealed System Application Information

CABLE RANGE (mm²): 0.50-5.0
CURRENT RANGE (AMPS): 0-46
TEMP RANGE °C: -40 to 125
RESISTANCE: <10mΩ@20mV
VOLTAGE DROP: <3.0mV/amp
CENTERLINE SPACING (mm): 10.8
BLADE WIDTH (mm): 6.3

630 SERIES TERMINALS-Tin Plated



*The test data are based on single circuits in free space and were generated using a "Lumped Resistance" model. This model does not account for all of the variables that would be present in an actual application. For actual product performance, contact your regional support representative at the number listed below.



630 MALE CONNECTOR SEALED

# Cavities	Connector	Color	Material	TPA
3	12124686	Black	PBT 30% GF	12045699

630 MALE TERMINALS SEALED

Part #	Cable Range (mm ²)	Material	Plating
12064736	5.0	Tin Brass	Tin
12064737	3.0	Tin Brass	Tin
12064735	2.0-1.0	Tin Brass	Tin
12064734	0.80-0.50	Tin Brass	Tin



630 METRI-PACK CAVITY PLUG*

Part #	Cavity Inside Diameter	Material	Color
12059255	9.8mm	Silicone	Lt. Green

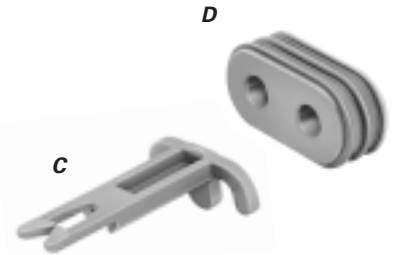
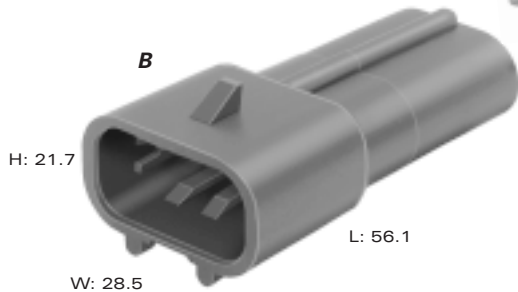
*Cavity plugs seal unused female and male cavities.

SECTION NOTES:

- Contact your regional support representative at the number listed below.
- Due to rigid tolerances of connector cavities, it is critical to meet all crimp dimensions as specified.



Multiple Cable Seal
(Included)



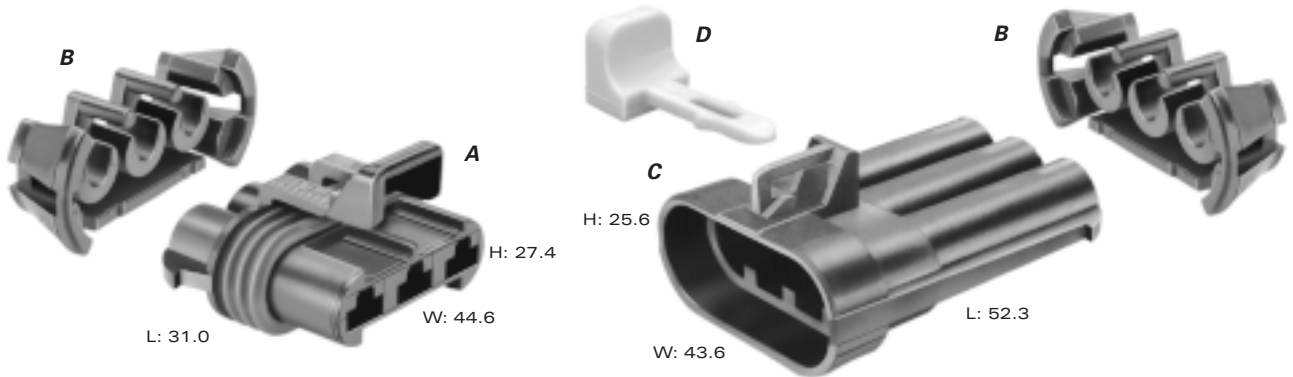
Total Mated Length: 67.5mm

A PART NO: 12033769
 DESCRIPTION: Connector Assembly 2F
 SIZE: 31.5L x 20.0H x 27.3W
 COLOR: Black
 MATERIAL: PA66 HS IM
 TERMINALS: See Page 110, Pull-To-Seat Terminals

B PART NO: 12034269
 DESCRIPTION: Connector 2M
 SIZE: 56.1L x 21.7H x 28.5W
 COLOR: Black
 MATERIAL: PA66 HS IM
 TERMINALS: See Page 111

C PART NO: 12034363
 DESCRIPTION: TPA
 COLOR: Md. Gray
 MATERIAL: PA66 HS IM

D PART NO: 12034364
 DESCRIPTION: Seal
 COLOR: Gray
 MATERIAL: Silicone



Total Mated Length: 69.5mm

A PART NO: 12124685
 DESCRIPTION: Connector Assembly 3F
 SIZE: 31.0L x 27.4H x 44.6W
 COLOR: Black
 MATERIAL: PA6
 TERMINALS: See Page 110
 SEALS/PLUGS: See Page 110, 111

C PART NO: 12124686
 DESCRIPTION: Connector 3M (Clip Slot)
 SIZE: 52.3L x 25.6H x 43.6W
 COLOR: Black
 MATERIAL: PBT 30% GF
 TERMINALS: See Page 111
 SEALS/PLUGS: See Page 110, 111

B PART NO: 12045699
 DESCRIPTION: TPA
 NUMBER REQ: 2
 COLOR: Black
 MATERIAL: PA6

D PART NO: 12020833
 DESCRIPTION: CPA
 COLOR: Gray
 MATERIAL: PBT

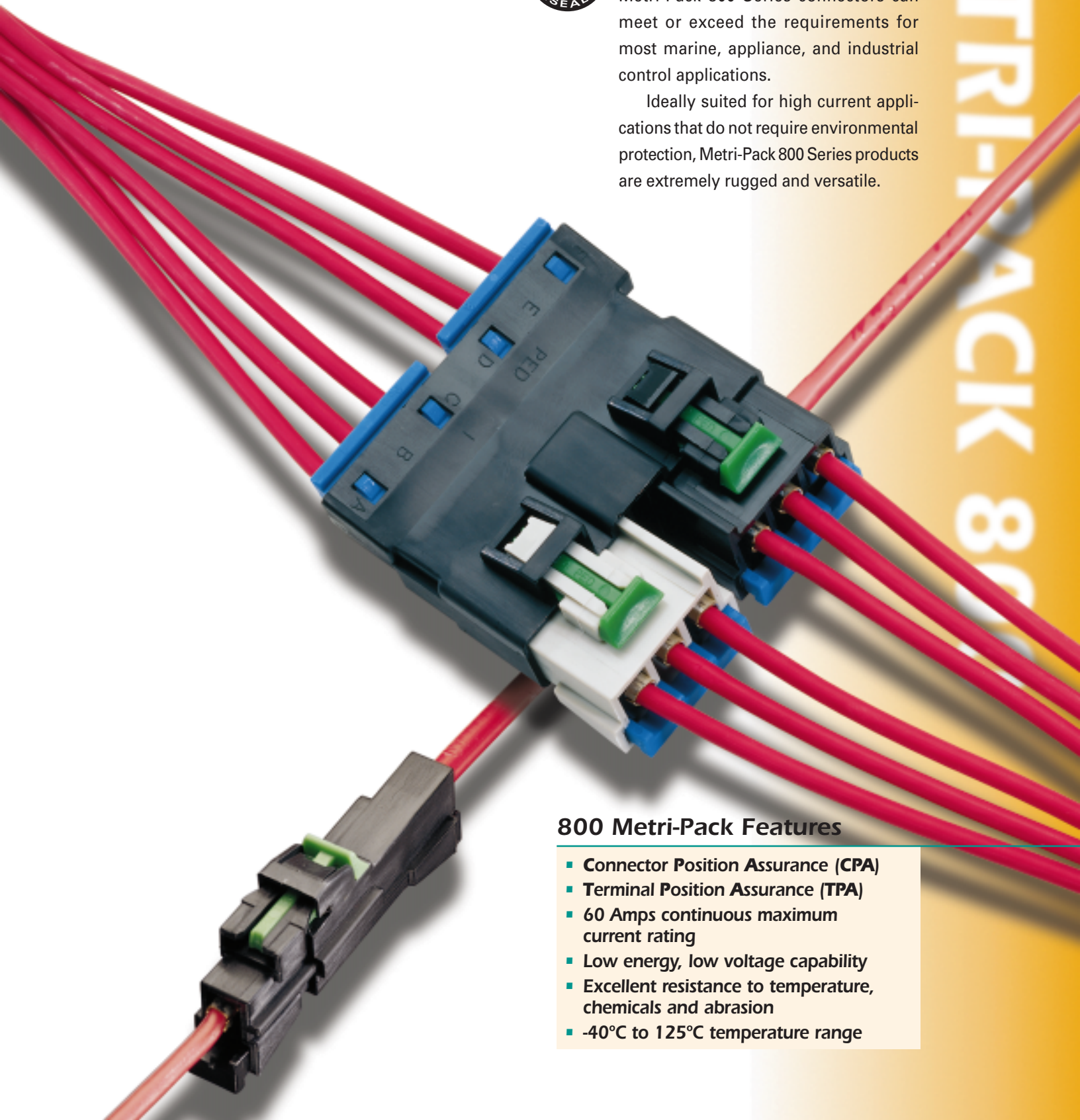
Metri-Pack Series

800



Available in device and in-line connections for vehicle applications, Metri-Pack 800 Series connectors can meet or exceed the requirements for most marine, appliance, and industrial control applications.

Ideally suited for high current applications that do not require environmental protection, Metri-Pack 800 Series products are extremely rugged and versatile.



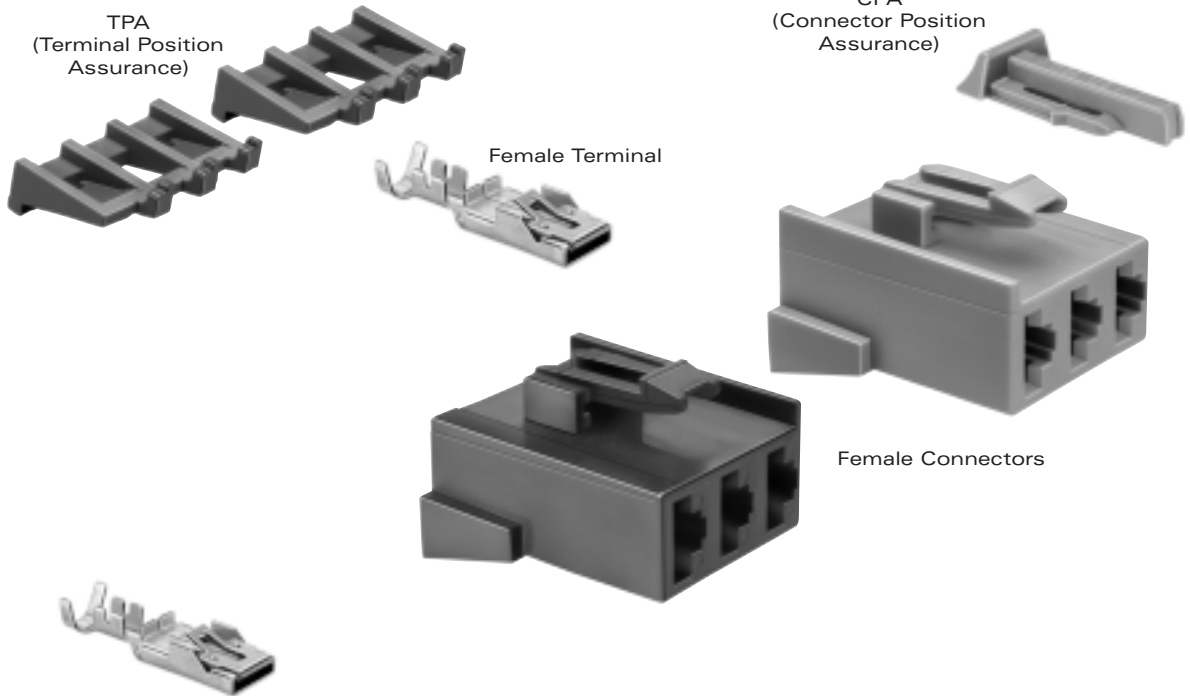
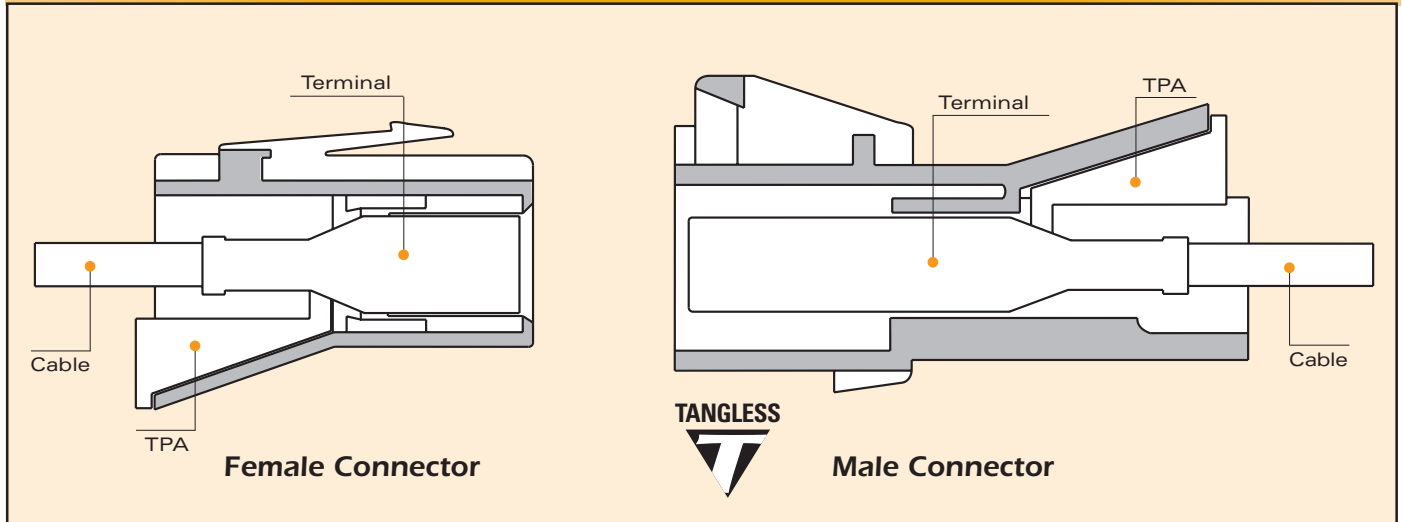
METRI-PACK 800

800 Metri-Pack Features

- Connector Position Assurance (CPA)
- Terminal Position Assurance (TPA)
- 60 Amps continuous maximum current rating
- Low energy, low voltage capability
- Excellent resistance to temperature, chemicals and abrasion
- -40°C to 125°C temperature range



Cross Sectional View



800 FEMALE TERMINALS UNSEALED

Part #	Cable Range (mm ²)	Material	Plating
12110127	5.0	Tin Brass	Silver/Nickel
12092445	5.0 (2 Req'd.)	Tin Brass	Silver/Nickel
12092444	3.0 (2 Req'd.)	Tin Brass	Silver/Nickel
12065916	3.0-2.0	Tin Brass	Silver/Nickel

800 FEMALE CONNECTORS UNSEALED

# Cavities	Connector	Color	Material	TPA
1way: 1	12160893	Black	PA6	12160895
6way: 3	12092399	Lt. Gray	PA66 HS IM	12092401
: 3	12092400	Black	PA66 HS IM	12092401

<http://delphi.com/products/connect>

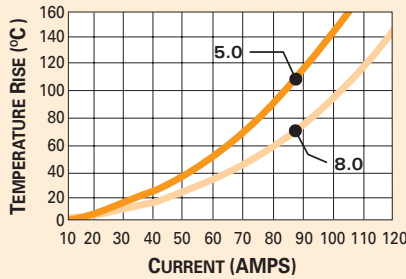


Unsealed System Application Information

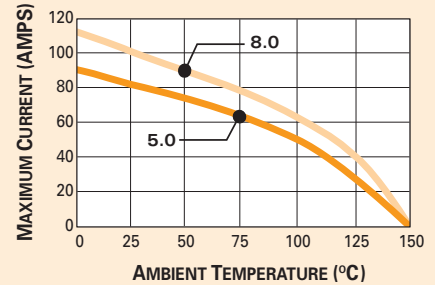
CABLE RANGE (mm²): 2.0-5.0
CURRENT RANGE (AMPS): 0-60
TEMP RANGE °C: -40 to 125
RESISTANCE: <10mΩ@20mV
VOLTAGE DROP: <3.0mV/amp
CENTERLINE SPACING (mm): 10.3
BLADE WIDTH (mm): 8.0

800 SERIES TERMINALS - Tin Plated

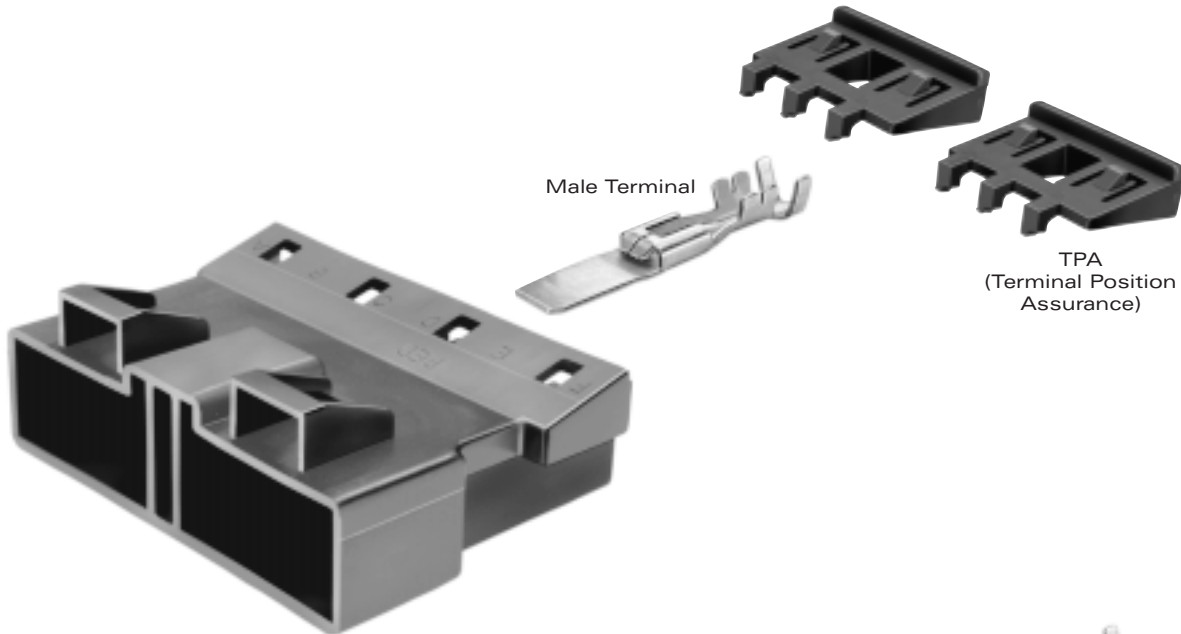
TEMPERATURE RISE ABOVE AMBIENT (25°C) VS CURRENT*



TEMPERATURE DERATING CURVES*



*The test data are based on single circuits in free space and were generated using a "Lumped Resistance" model. This model does not account for all of the variables that would be present in an actual application. For actual product performance, contact your regional support representative at the number listed below.



Male Connector



800 MALE CONNECTORS UNSEALED

# Cavities	Connector	Color	Material	TPA
1	12160894	Black	PA6	12160895
6	12110698	Black	PA66 HS IM	12092401

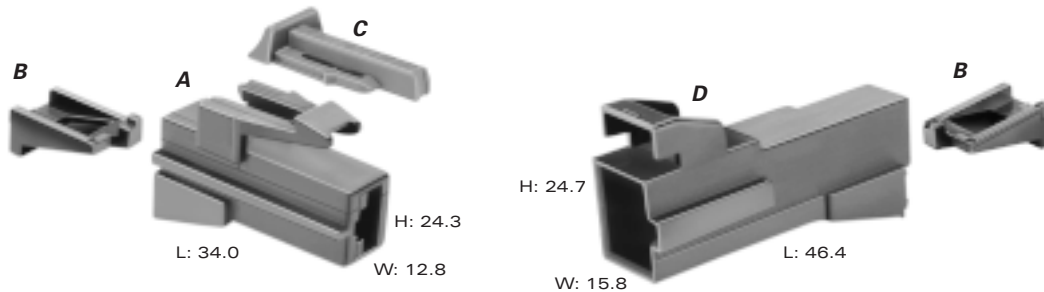
800 MALE TANGLESS TERMINALS UNSEALED

Part #	Cable Range (mm ²)	Material	Plating
12110700	5.0	Tin Brass	Silver/Nickel

SECTION NOTES:

- Contact your regional support representative at the number listed below.
- Due to rigid tolerances of connector cavities, it is critical to meet all crimp dimensions as specified.

<http://delphi.com/products/connect>



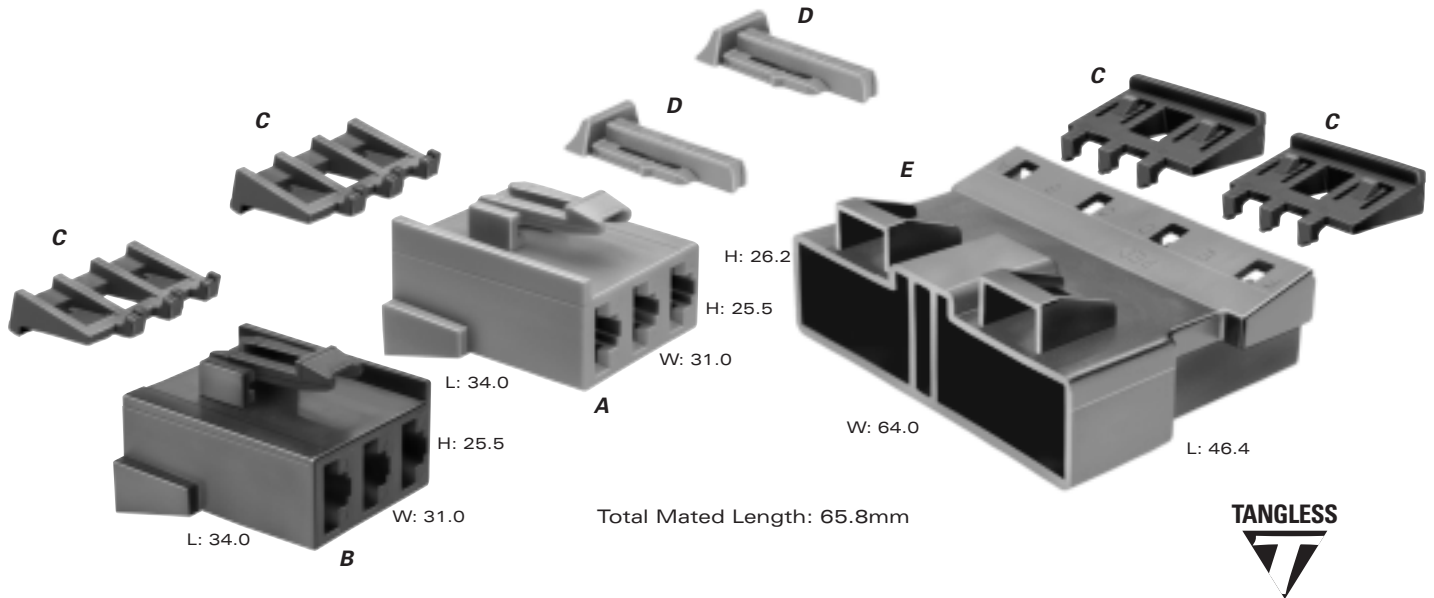
Total Mated Length: 65.7mm

A PART NO: 12160893
 DESCRIPTION: Connector 1F
 SIZE: 34.0L x 24.3H x 12.8W
 COLOR: Black
 MATERIAL: PA6
 TERMINALS: See Page 116

D PART NO: 12160894
 DESCRIPTION: Connector 1M (Clip Slot-Self Locking)
 SIZE: 46.4L x 24.7H x 15.8W
 COLOR: Black
 MATERIAL: PA6
 TERMINALS: See Page 117

B PART NO: 12160895
 DESCRIPTION: TPA
 NUMBER REQ: 2
 COLOR: Md. Gray
 MATERIAL: PA6

C PART NO: 12052834
 DESCRIPTION: CPA
 COLOR: Green
 MATERIAL: PP



A PART NO: 12092399
 DESCRIPTION: Connector 3F
 SIZE: 34.0L x 25.5H x 31.0W
 COLOR: Lt. Gray
 MATERIAL: PA66 HS IM
 TERMINALS: See Page 116

E PART NO: 12110698
 DESCRIPTION: Connector 6M (Clip Slot-Self Locking)
 SIZE: 46.4L x 26.2H x 64.0W
 COLOR: Black
 MATERIAL: PA66 HS IM
 TERMINALS: See Page 117

B PART NO: 12092400
 DESCRIPTION: Connector 3F
 SIZE: 34.0L x 25.5H x 31.0W
 COLOR: Black
 MATERIAL: PA66 HS IM
 TERMINALS: See Page 116

C PART NO: 12092401
 DESCRIPTION: TPA
 NUMBER REQ: 4
 COLOR: Blue
 MATERIAL: PA66 HS IM

D PART NO: 12052834
 DESCRIPTION: CPA
 NUMBER REQ: 2
 COLOR: Green
 MATERIAL: PP

Metri-Pack Series

Mixed



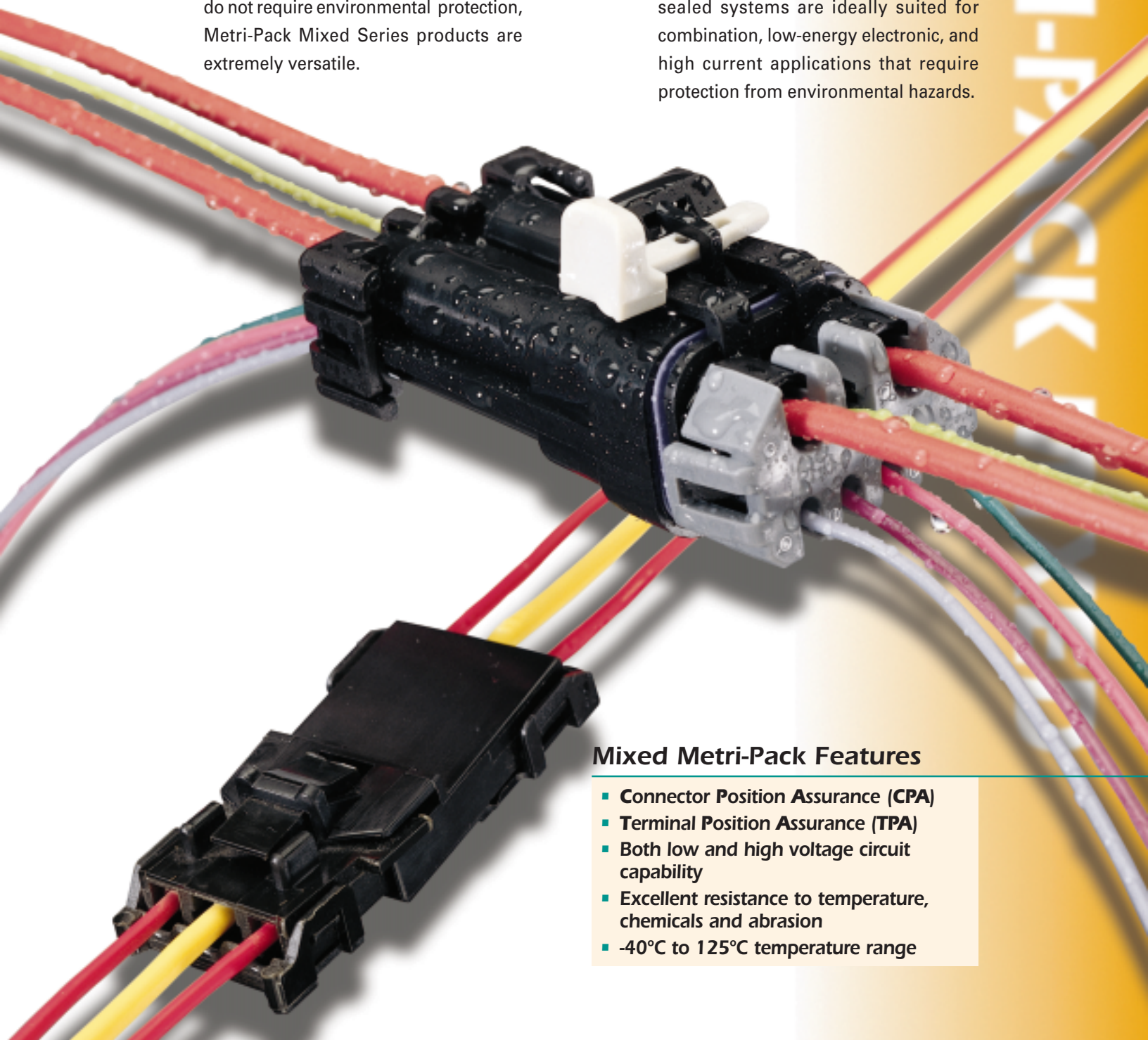
Available in device and in-line connections for vehicle applications, Metri-Pack Mixed Series connectors can meet or exceed the requirements for most marine, appliance, and industrial control applications.

Ideally suited for combination low energy and high current applications that do not require environmental protection, Metri-Pack Mixed Series products are extremely versatile.



Available in device and in-line connections for underhood vehicle applications, Metri-Pack Mixed Series sealed connectors can meet or exceed the requirements for most marine, appliance, and industrial control applications.

Utilizing triple-rib peripheral silicone rubber seals, Metri-Pack Mixed Series sealed systems are ideally suited for combination, low-energy electronic, and high current applications that require protection from environmental hazards.

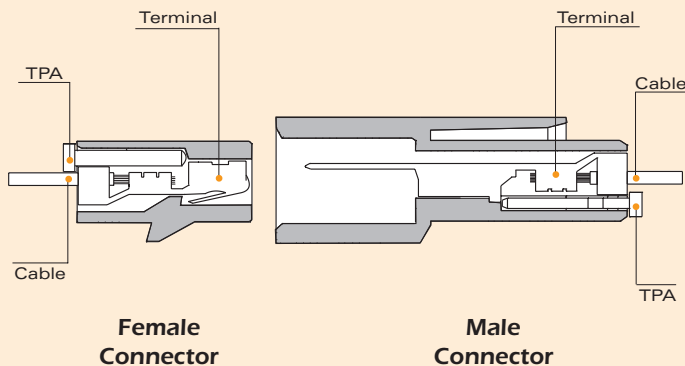


Mixed Metri-Pack Features

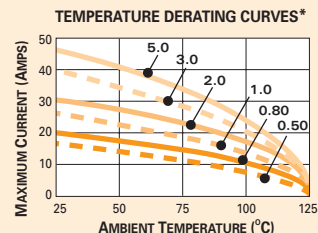
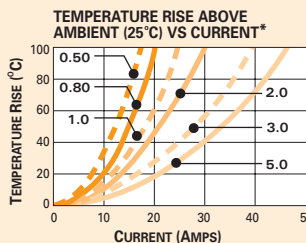
- Connector Position Assurance (CPA)
- Terminal Position Assurance (TPA)
- Both low and high voltage circuit capability
- Excellent resistance to temperature, chemicals and abrasion
- -40°C to 125°C temperature range



Unsealed System Application Information

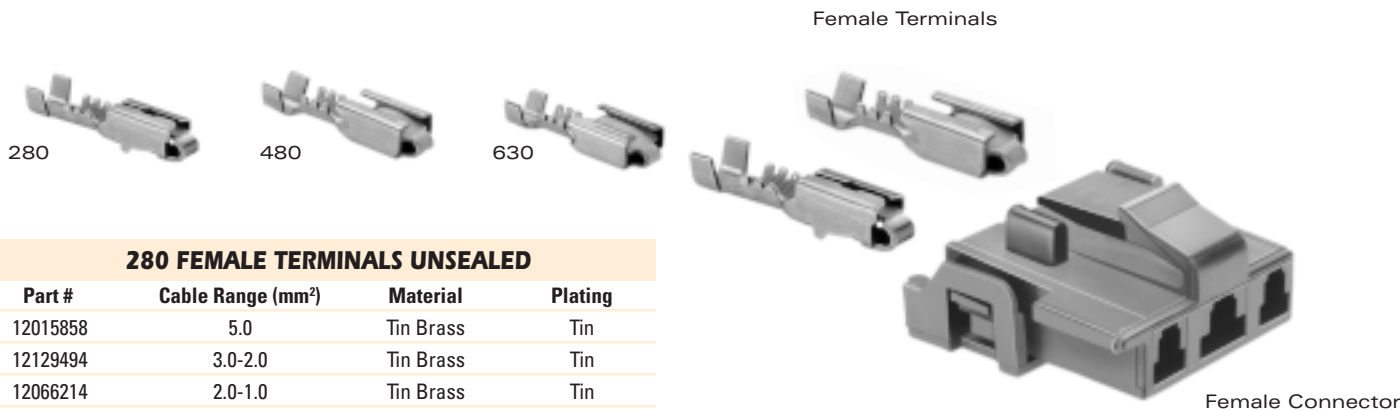


280 SERIES TERMINALS - Tin Plated



CABLE RANGE (mm²): 0.35-5.0
 CURRENT RANGE (AMPS): 0-30
 TEMP RANGE °C: -40 to 125
 RESISTANCE: <10mΩ@20mV
 VOLTAGE DROP: <3.0mV/amp
 CENTERLINE SPACING (mm): Connector Dependent
 BLADE WIDTH (mm): 2.8

*The test data are based on single circuits in free space and were generated using a "Lumped Resistance" model. This model does not account for all of the variables that would be present in an actual application. For actual product performance, contact your regional support representative at the number listed below.



280 FEMALE TERMINALS UNSEALED

Part #	Cable Range (mm ²)	Material	Plating
12015858	5.0	Tin Brass	Tin
12129494	3.0-2.0	Tin Brass	Tin
12066214	2.0-1.0	Tin Brass	Tin
12034046	1.0-0.80	Tin Brass	Tin
12052217	0.50-0.35	Tin Brass	Tin
12162597*	3.0-2.0	Tin Brass	Tin
12162595*	1.0-0.80	Tin Brass	Tin
12162596*	0.50-0.35	Tin Brass	Tin

*Thin Stock—Electrical current restrictions may apply, contact your regional support representative at the number listed below.

480 FEMALE TERMINALS UNSEALED

Part #	Cable Range (mm ²)	Material	Plating
12084595	5.0	Tin Brass	Tin
12052221	3.0	Tin Brass	Tin
12124304	2.0-1.0	Tin Brass	Tin
12015860	0.80	Tin Brass	Tin
12052219	0.50-0.35	Tin Brass	Tin
12020366	1.0-0.50 (1 Req'd.)	Tin Brass	Tin
	0.80-0.50 (1 Req'd.)		

MIXED METRI-PACK FEMALE CONNECTOR UNSEALED

# Cavities	Connector	Color	Material
3	12020014	Black	PA6

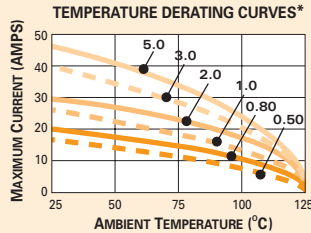
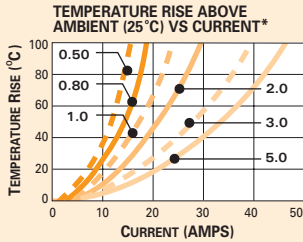
630 FEMALE TERMINALS UNSEALED

Part #	Cable Range (mm ²)	Material	Plating
12084590	5.0	Tin Brass	Tin
12052224	3.0	Tin Brass	Tin
12084596	3.0 (2 Req'd.)	Tin Brass	Tin
12015870	2.0-1.0	Tin Brass	Tin
12015869	1.0-0.80	Tin Brass	Tin
12020035	0.80-0.50 (2 Req'd.)	Tin Brass	Tin
12052222	0.50-0.35	Tin Brass	Tin



Unsealed System Application Information

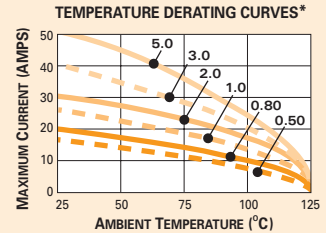
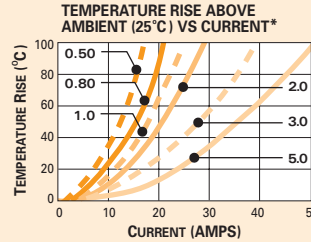
480 SERIES TERMINALS-Tin Plated



CABLE RANGE (mm²): 0.35-5.0
 CURRENT RANGE (AMPS): 0-42
 TEMP RANGE °C: -40 to 125
 RESISTANCE: <10mΩ@20mV

VOLTAGE DROP: <3.0mV/amp
 CENTERLINE SPACING (mm):
 Connector Dependent
 BLADE WIDTH (mm): 4.8

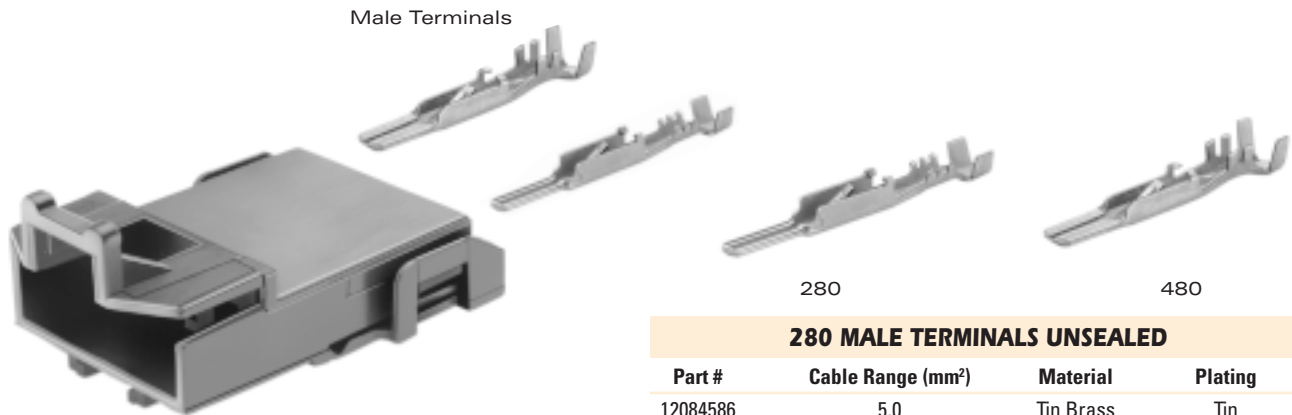
630 SERIES TERMINALS-Tin Plated



CABLE RANGE (mm²): 0.35-5.0
 CURRENT RANGE (AMPS): 0-46
 TEMP RANGE °C: -40 to 125
 RESISTANCE: <10mΩ@20mV

VOLTAGE DROP: <3.0mV/amp
 CENTERLINE SPACING (mm):
 Connector Dependent
 BLADE WIDTH (mm): 6.3

*The test data are based on single circuits in free space and were generated using a "Lumped Resistance" model. This model does not account for all of the variables that would be present in an actual application. For actual product performance, contact your regional support representative at the number listed below.



Male Connector

280 MALE TERMINALS UNSEALED

Part #	Cable Range (mm ²)	Material	Plating
12084586	5.0	Tin Brass	Tin
12129498	3.0-2.0	Tin Brass	Tin
12020116	2.0-1.0	Tin Brass	Tin
12034047	1.0-0.80	Tin Brass	Tin
12066271	0.50-0.35	Tin Brass	Tin
12020782	0.35 (2 Req'd.)	Tin Brass	Tin

480 MALE TERMINALS UNSEALED

Part #	Cable Range (mm ²)	Material	Plating
12033820	5.0	Tin Brass	Tin over Copper
12052827	3.0	Tin Brass	Tin over Copper
12020120	2.0-1.0	Tin Brass	Tin over Copper
12020119	1.0-0.80	Tin Brass	Tin over Copper
12066269	0.50-0.35	Tin Brass	Tin over Copper
12020784	0.35 (2 Req'd.)	Tin Brass	Tin over Copper

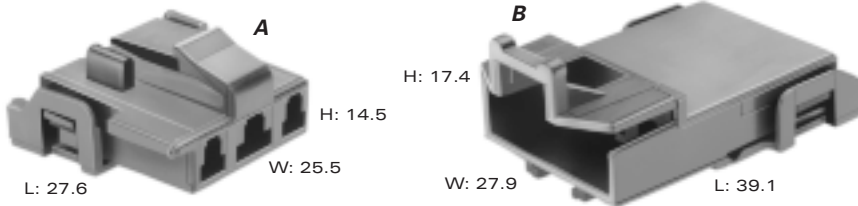
MIXED METRI-PACK MALE CONNECTOR UNSEALED

# Cavities	Connector	Color	Material
3	12045681	Black	PA6

SECTION NOTES:

- Contact your regional support representative at the number listed below.
- Due to rigid tolerances of connector cavities, it is critical to meet all crimp dimensions as specified.
- Female connections for device applications, see page 130.

<http://delphi.com/products/connect>



Total Mated Length: 55.6mm

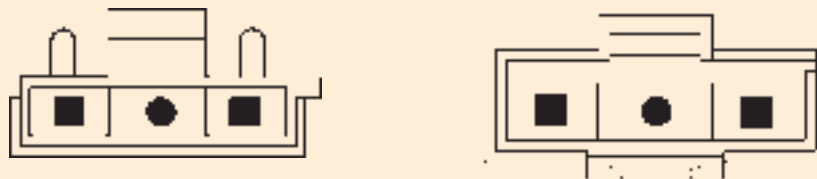
A PART NO: 12020014*
 DESCRIPTION: Connector 3F
 SIZE: 27.6L x 14.5H x 25.5W
 COLOR: Black
 MATERIAL: PA6
 TERMINALS: See Page 122
 *HINGED SECONDARY LOCK.

B PART NO: 12045681*
 DESCRIPTION: Connector 3M (Clip Slot)
 SIZE: 39.1L x 17.4H x 27.9W
 COLOR: Black
 MATERIAL: PA6
 TERMINALS: See Page 123
 *HINGED SECONDARY LOCK.

KEY:

- 280 SERIES
- 480 SERIES

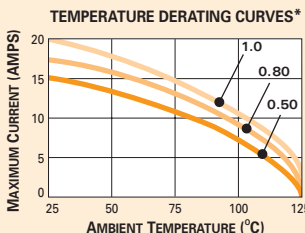
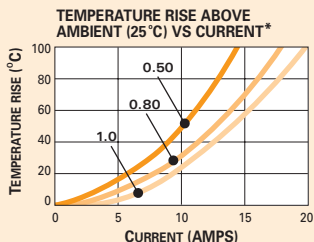
Mixed connectors feature a combination of different terminal cavities, as indicated by the key.





Sealed System Application Information

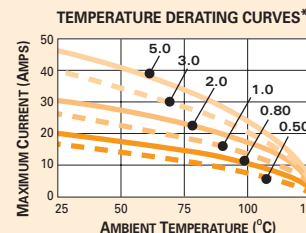
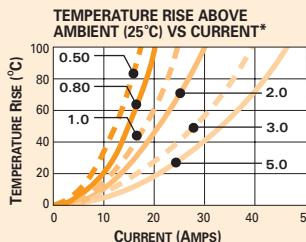
150 SERIES TERMINALS-Tin Plated



CABLE RANGE (mm²): 0.35-1.0
 CURRENT RANGE (AMPS): 0-14
 TEMP RANGE °C: -40 to 125
 RESISTANCE: <10mΩ@20mV

VOLTAGE DROP: <10.0mV/amp
 CENTERLINE SPACING (mm):
 Connector Dependent
 BLADE WIDTH (mm): 1.5

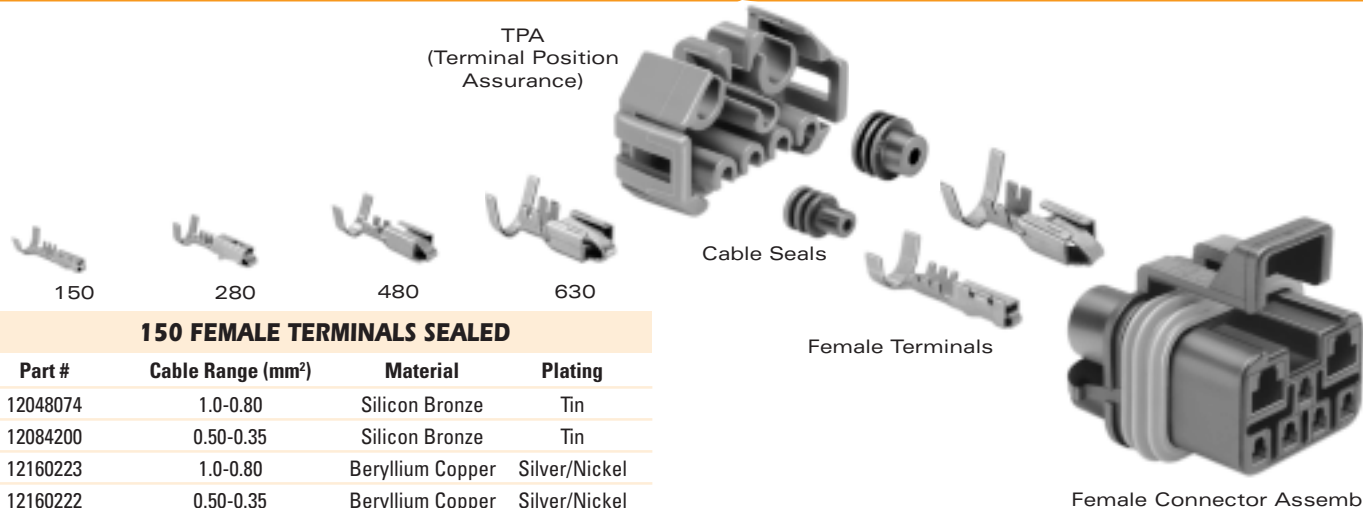
280 SERIES TERMINALS - Tin Plated



CABLE RANGE (mm²): 0.35-5.0
 CURRENT RANGE (AMPS): 0-30
 TEMP RANGE °C: -40 to 125
 RESISTANCE: <10mΩ@20mV

VOLTAGE DROP: <3.0mV/amp
 CENTERLINE SPACING (mm):
 Connector Dependent
 BLADE WIDTH (mm): 2.8

*The test data are based on single circuits in free space and were generated using a "Lumped Resistance" model. This model does not account for all of the variables that would be present in an actual application. For actual product performance, contact your regional support representative at the number listed below.



150 FEMALE TERMINALS SEALED

Part #	Cable Range (mm ²)	Material	Plating
12048074	1.0-0.80	Silicon Bronze	Tin
12084200	0.50-0.35	Silicon Bronze	Tin
12160223	1.0-0.80	Beryllium Copper	Silver/Nickel
12160222	0.50-0.35	Beryllium Copper	Silver/Nickel

280 FEMALE TERMINALS SEALED

Part #	Cable Range (mm ²)	Material	Plating
12077413	5.0	Tin Brass	Tin
12129493	3.0-2.0	Tin Brass	Tin
12077411	1.0-0.80	Tin Brass	Tin
12084201	0.50-0.35	Tin Brass	Tin

480 FEMALE TERMINALS SEALED

Part #	Cable Range (mm ²)	Material	Plating
12052139	5.0-3.0	Tin Brass	Tin
12048451	2.0-1.0	Tin Brass	Tin
12048450	0.80-0.50	Tin Brass	Tin

630 FEMALE TERMINALS SEALED

Part #	Cable Range (mm ²)	Material	Plating
12052456	5.0-3.0	Tin Brass	Tin
12052455	2.0-1.0	Tin Brass	Tin
12052457	0.80-0.50	Tin Brass	Tin

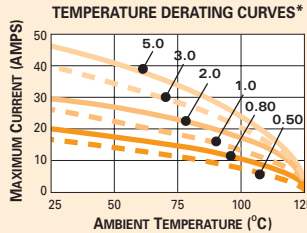
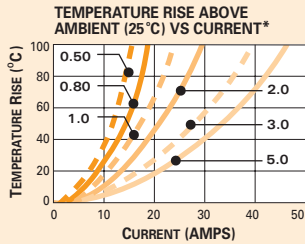
MIXED METRI-PACK FEMALE CONNECTOR ASSEMBLY SEALED

# Cavities	Conn. Asm.	Color	Material	TPA
7	12059472	Black	PA66 HS IM	12052486



Sealed System Application Information

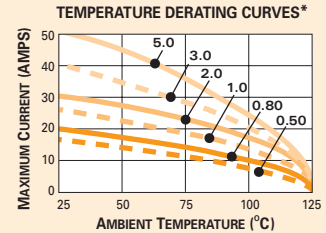
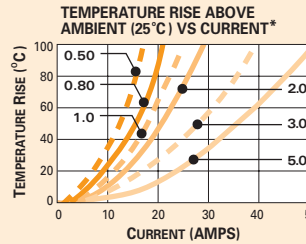
480 SERIES TERMINALS-Tin Plated



CABLE RANGE (mm²): 0.35-5.0
 CURRENT RANGE (AMPS): 0-42
 TEMP RANGE °C: -40 to 125
 RESISTANCE: <10mΩ@20mV

VOLTAGE DROP: <3.0mV/amp
 CENTERLINE SPACING (mm):
 Connector Dependent
 BLADE WIDTH (mm): 4.8

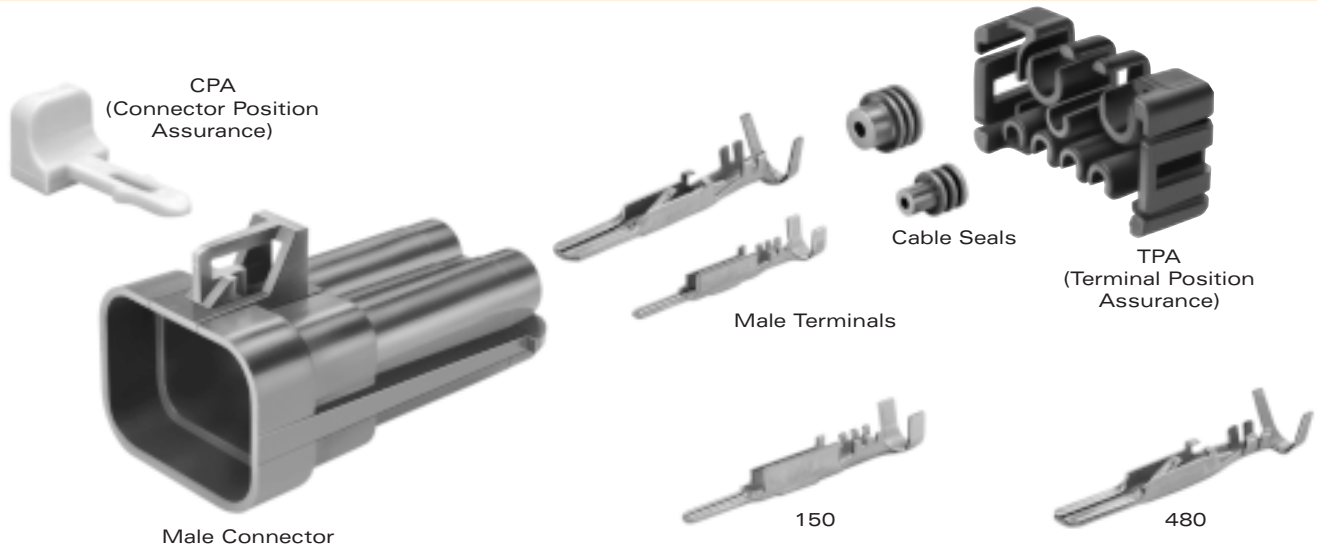
630 SERIES TERMINALS-Tin Plated



CABLE RANGE (mm²): 0.35-5.0
 CURRENT RANGE (AMPS): 0-46
 TEMP RANGE °C: -40 to 125
 RESISTANCE: <10mΩ@20mV

VOLTAGE DROP: <3.0mV/amp
 CENTERLINE SPACING (mm):
 Connector Dependent
 BLADE WIDTH (mm): 6.3

*The test data are based on single circuits in free space and were generated using a "Lumped Resistance" model. This model does not account for all of the variables that would be present in an actual application. For actual product performance, contact your regional support representative at the number listed below.



MIXED METRI-PACK MALE CONNECTOR SEALED

# Cavities	Connector	Color	Material	TPA
7	12052200	Black	PA66 HS IM	12052199

150 MALE TERMINALS SEALED

Part #	Cable Range (mm ²)	Material	Plating
12045773	1.0-0.80	Tin Brass	Tin
12077628	0.50-0.35	Tin Brass	Tin

480 MALE TERMINALS SEALED

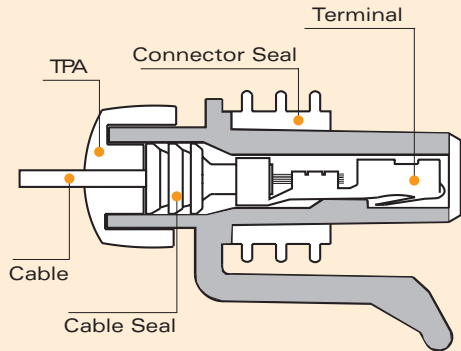
Part #	Cable Range (mm ²)	Material	Plating
12052172	5.0	Tin Brass	Tin
12065197	3.0	Tin Brass	Tin
12065196	2.0-1.0	Tin Brass	Tin

SECTION NOTES:

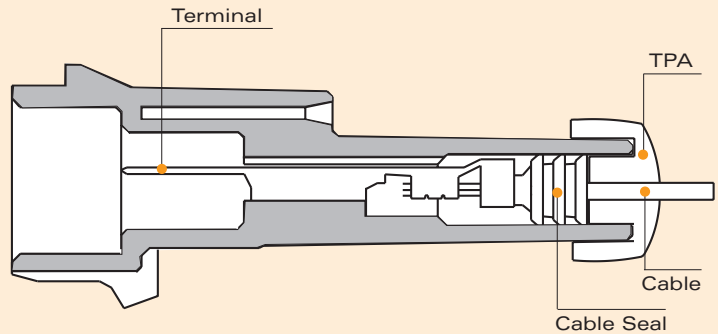
- Contact your regional support representative at the number listed below.
- Due to rigid tolerances of connector cavities, it is critical to meet all crimp dimensions as specified.
- Female connections for device applications, see pages 131 and 132.



Cross Sectional View



Female Connector Assembly



Male Connector

150 METRI-PACK CABLE SEALS

Reel Part#	Loose Part#	Cable Diameter	Material	Color
12052924	12048086	2.85-2.03	Silicone	Dk. Red
12089442	12089678	2.15-1.60	Silicone	White
12052925	12048087	1.70-1.29	Silicone	Blue
12124669	12084193	1.009-0.995	Silicone	Tan

150 METRI-PACK CAVITY PLUG*

Part#	Cavity Inside Diameter	Material	Color
12059168	5.2mm	Silicone	Dk. Red

*Cavity plugs seal unused female and male cavities.

280 METRI-PACK CABLE SEALS

Reel Part #	Loose Part #	Cable Diameter	Material	Color
12015360	12015193	4.30-3.45	Silicone	Blue
12015359	12010293	3.49-2.81	Silicone	Lt. Gray
12015284	12015323	2.85-2.03	Silicone	Green
12041352	12041351	2.42-2.03	Silicone	Tan
12089444	12089679	2.15-1.60	Silicone	Purple
12034365	12015899	1.70-1.29	Silicone	Dk. Red

280 METRI-PACK CAVITY PLUG*

Part #	Cavity Inside Diameter	Material	Color
12010300	6.7mm	Silicone	Green

*Cavity plugs seal unused female and male cavities.

480 METRI-PACK CABLE SEALS

Reel Part#	Loose Part#	Cable Diameter	Material	Color
12065703	12034170	5.16-4.40	Silicone	Orange
12052453	12048443	4.50-3.61	Silicone	Purple
12052452	12048442	3.75-2.81	Silicone	Red
12048433	12048441	2.85-2.01	Silicone	White
12052931	12052930	2.15-1.60	Silicone	Yellow
12162068	12162067	1.70-1.29	Silicone	Pink

480 METRI-PACK CAVITY PLUG*

Part#	Cavity Inside Diameter	Material	Color
12066082	8.5mm	Silicone	Lt. Green

*Cavity plugs seal unused female and male cavities.

630 METRI-PACK CABLE SEALS

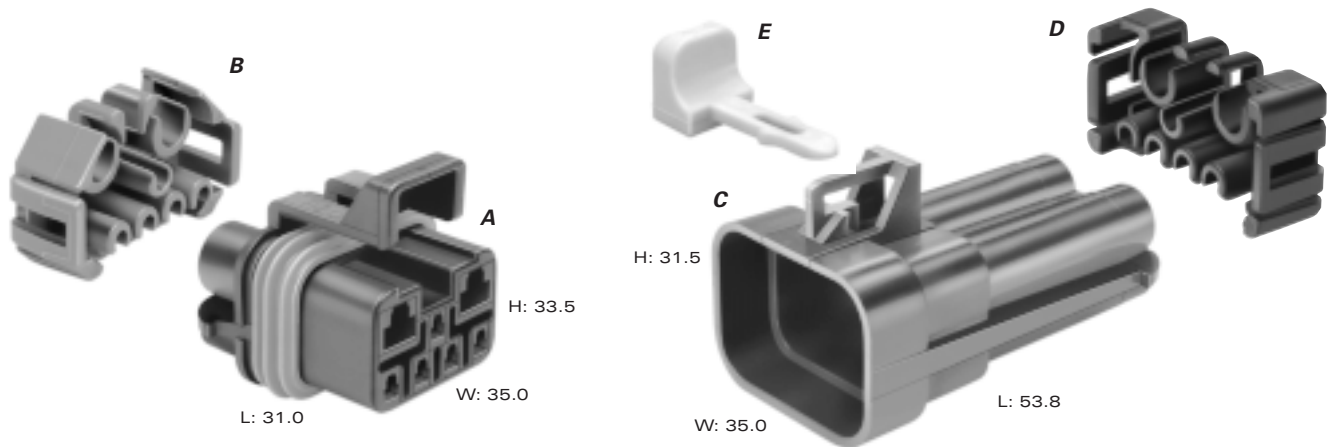
Reel Part #	Loose Part #	Cable Diameter	Material	Color
12059257	12052386	5.15-4.40	Silicone	Green
12059260	12052668	4.50-3.61	Silicone	Blue
12059258	12052387	3.75-2.81	Silicone	Lt. Gray
12059259	12052388	2.85-2.01	Silicone	Dk. Red
12077760	12077759	2.15-1.65	Silicone	Tan

630 METRI-PACK CAVITY PLUG*

Part #	Cavity Inside Diameter	Material	Color
12059255	9.8mm	Silicone	Lt. Green

*Cavity plugs seal unused female and male cavities.

<http://delphi.com/products/connect>



Total Mated Length: 69.3mm

A PART NO: 12059472
 DESCRIPTION: Connector Assembly 7F
 SIZE: 31.0L x 33.5H x 35.0W
 COLOR: Black
 MATERIAL: PA66 HS IM
 TERMINALS: See Page 126
 SEALS/PLUGS: See Page 128

C PART NO: 12052200
 DESCRIPTION: Connector 7M (Clip Slot)
 SIZE: 53.8L x 31.5H x 35.0W
 COLOR: Black
 MATERIAL: PA66 HS IM
 TERMINALS: See Page 127
 SEALS/PLUGS: See Page 128

B PART NO: 12052486
 DESCRIPTION: TPA
 COLOR: Md. Gray
 MATERIAL: PA66 HS IM

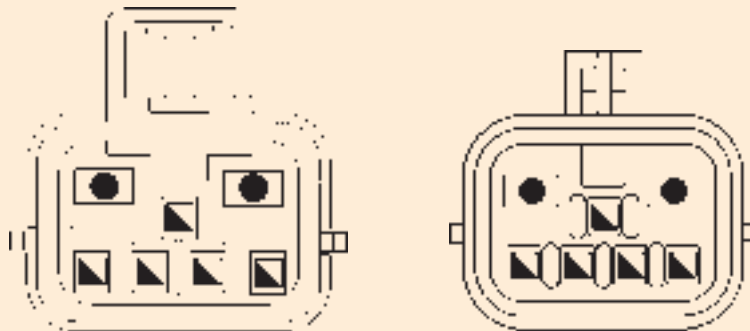
D PART NO: 12052199
 DESCRIPTION: TPA
 COLOR: Black
 MATERIAL: PA6

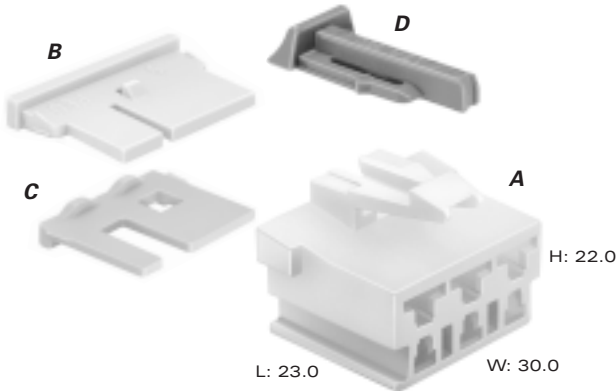
E PART NO: 12020833
 DESCRIPTION: CPA
 COLOR: Gray
 MATERIAL: PBT

KEY:

- ▣ 150 SERIES
- 480 SERIES

Mixed connectors feature a combination of different terminal cavities, as indicated by the key.



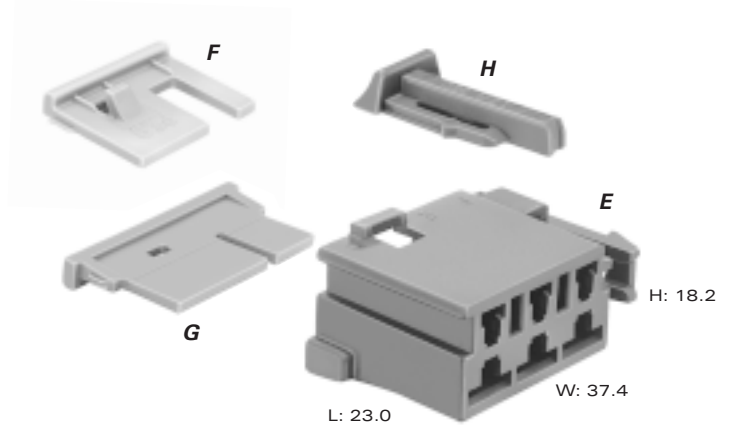


A PART NO: 12129842
DESCRIPTION: Connector 6F
SIZE: 23.0L x 22.0H x 30.0W
COLOR: Natural
MATERIAL: PA66 HS IM
TERMINALS: See Page 122
TYPICAL APP: Switch

B PART NO: 12162301
DESCRIPTION: TPA
COLOR: Lt. Gray
MATERIAL: PA6

C PART NO: 12162300
DESCRIPTION: TPA
COLOR: Blue
MATERIAL: PA6

D PART NO: 12052834
DESCRIPTION: CPA
COLOR: Green
MATERIAL: PP



**E PART NO: 12162229 (Black)
12110075 (Natural)***
DESCRIPTION: Connector 6F
SIZE: 23.0L x 18.2H x 37.4W
MATERIAL: PA66 HS IM
TERMINALS: See Page 122
TYPICAL APP: Switch
*REVERSED LOCKING FEATURE.

F PART NO: 12162300
DESCRIPTION: TPA
COLOR: Blue
MATERIAL: PA6

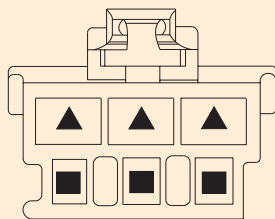
G PART NO: 12162299
DESCRIPTION: TPA
COLOR: Md. Gray
MATERIAL: PA6

H PART NO: 12052834
DESCRIPTION: CPA
COLOR: Green
MATERIAL: PP

KEY:

- 280 SERIES
- ▲ 630 SERIES

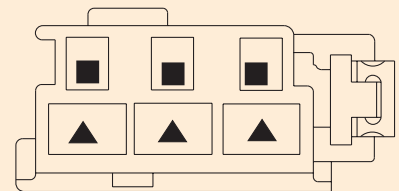
Mixed connectors feature a combination of different terminal cavities, as indicated by the key.

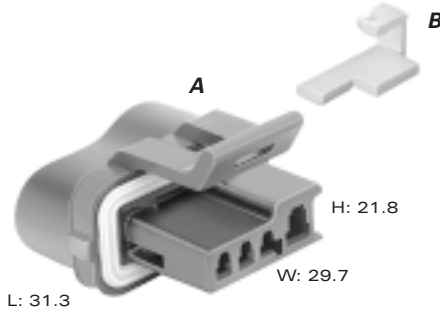


KEY:

- 280 SERIES
- ▲ 630 SERIES

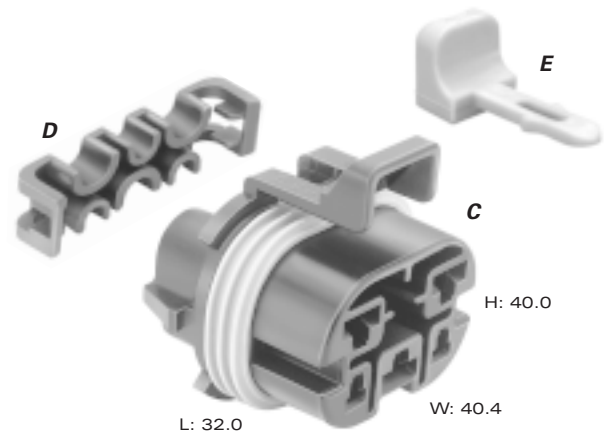
Mixed connectors feature a combination of different terminal cavities, as indicated by the key.





A PART NO: 12124898
 DESCRIPTION: Connector Assembly 4F
 SIZE: 31.3L x 21.8H x 29.7W
 COLOR: Black
 MATERIAL: PBT
 TERMINALS: See Page 126
 SEALS/PLUGS: See Page 128
 TYPICAL APP: Alternator

B PART NO: 12045897
 DESCRIPTION: Secondary Lock
 COLOR: Natural
 MATERIAL: PBT



C PART NO: 12052287
 DESCRIPTION: Connector Assembly 5F
 SIZE: 32.0L x 40.0H x 40.4W
 COLOR: Black
 MATERIAL: PA6
 TERMINALS: See Page 126
 SEALS/PLUGS: See Page 128
 TYPICAL APP: Switch

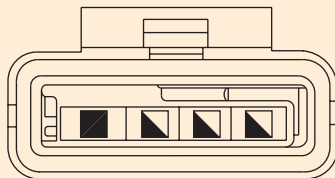
D PART NO: 12052290
 DESCRIPTION: TPA
 COLOR: Black
 MATERIAL: PA66 HS IM

E PART NO: 12020833
 DESCRIPTION: CPA
 COLOR: Gray
 MATERIAL: PBT

KEY:

- 150 SERIES
- 280 SERIES

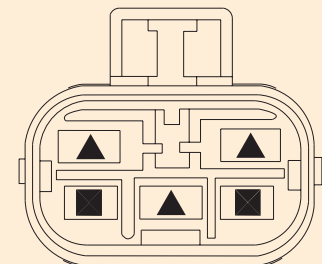
Mixed connectors feature a combination of different terminal cavities, as indicated by the key.

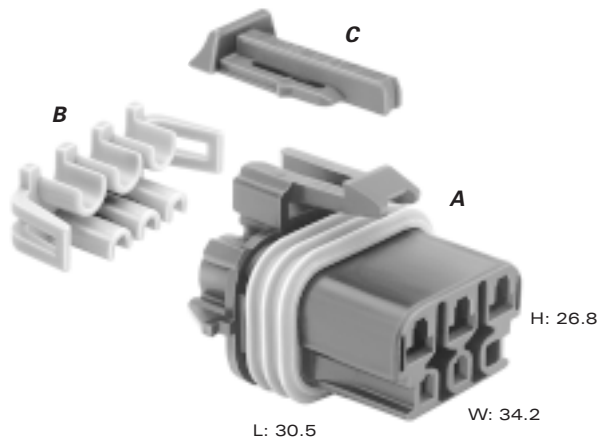


KEY:

- 280 SERIES
- ▲ 630 SERIES

Mixed connectors feature a combination of different terminal cavities, as indicated by the key.





A PART NO: 12186347
 DESCRIPTION: Connector Assembly 6F
 SIZE: 30.5L x 26.8H x 34.2W
 COLOR: Black
 MATERIAL: PA6
 TERMINALS: See Page 126
 SEALS/PLUGS: See Page 128
 TYPICAL APP: Wiper Motor

B PART NO: 12129124
 DESCRIPTION: TPA
 COLOR: Lt. Gray
 MATERIAL: PA6

C PART NO: 12052834
 DESCRIPTION: CPA
 COLOR: Green
 MATERIAL: PP

KEY:

- 150 SERIES
- 280 SERIES

Mixed connectors feature a combination of different terminal cavities, as indicated by the key.

<http://delphi.com/products/connect>

Metri-Pack Series Junction Systems



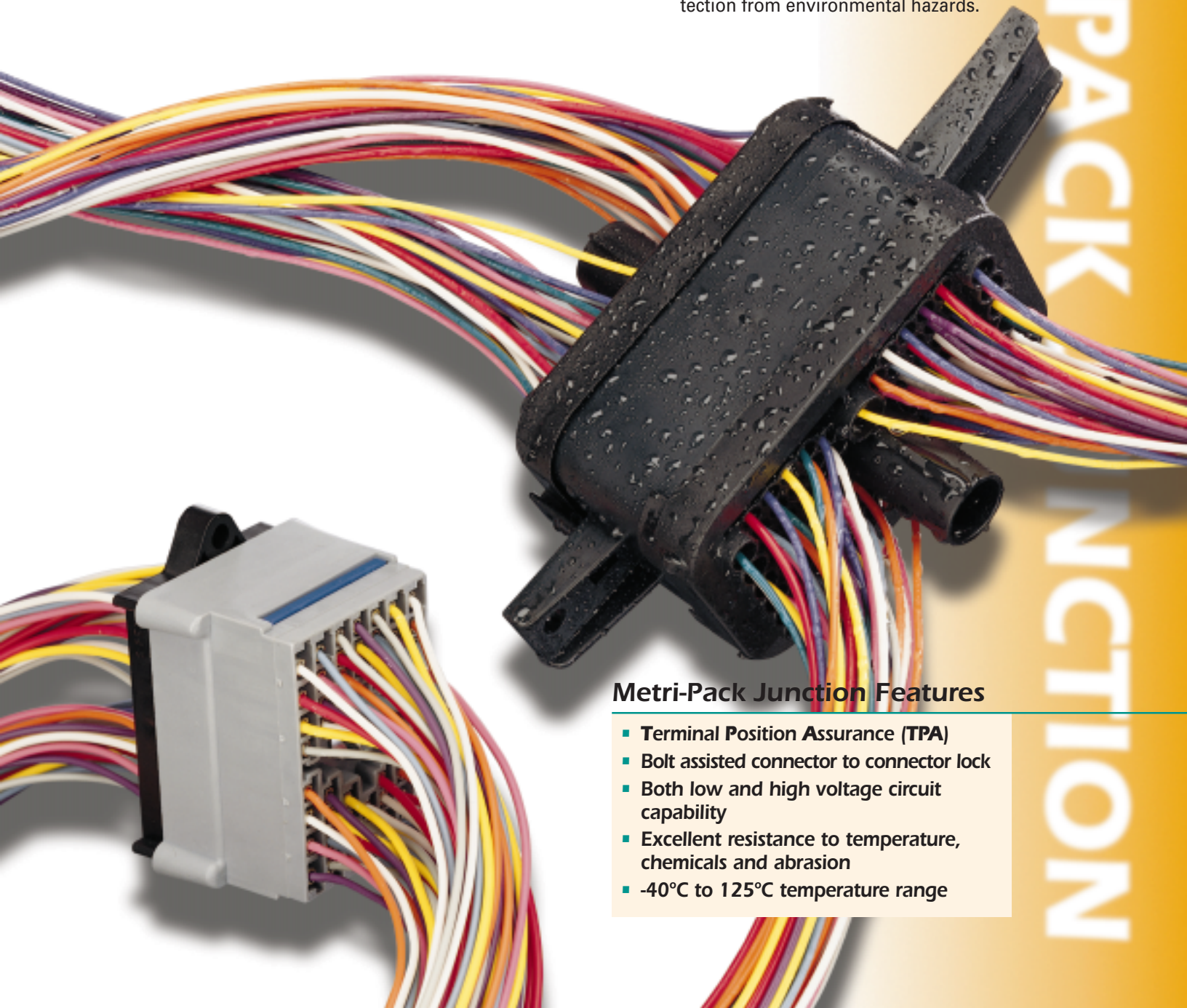
Available in pass-through and in-line connections, Metri-Pack Junction System Series connectors can meet or exceed the requirements for most marine, appliance, and industrial control applications.

Ideally suited for combination low energy and high current applications that do not require environmental protection, Metri-Pack Junction System Series products are extremely versatile.



Available in pass-through and in-line connections for underhood vehicle applications, Metri-Pack Junction System Series sealed connectors can meet or exceed the requirements for most marine, appliance, and industrial control applications.

Metri-Pack Junction Series sealed systems are ideally suited for combination, low-energy electronic, and high current applications that require protection from environmental hazards.



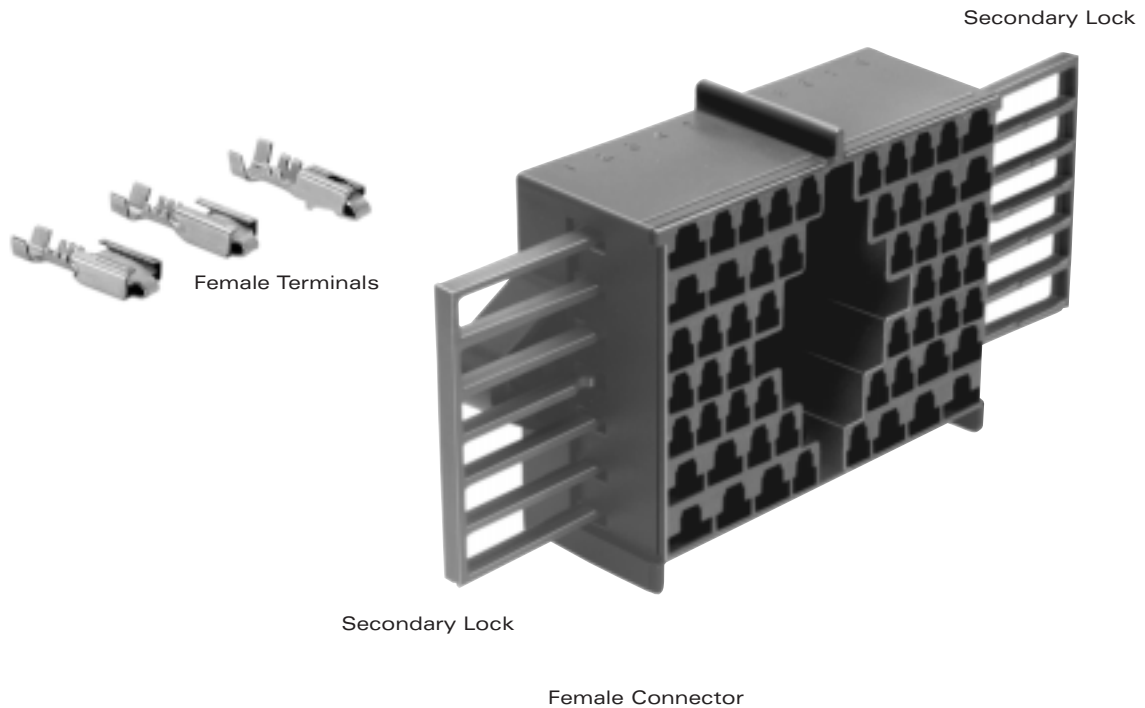
Metri-Pack Junction Features

- Terminal Position Assurance (TPA)
- Bolt assisted connector to connector lock
- Both low and high voltage circuit capability
- Excellent resistance to temperature, chemicals and abrasion
- -40°C to 125°C temperature range

METRI-PACK
JUNCTION



Female Unsealed System



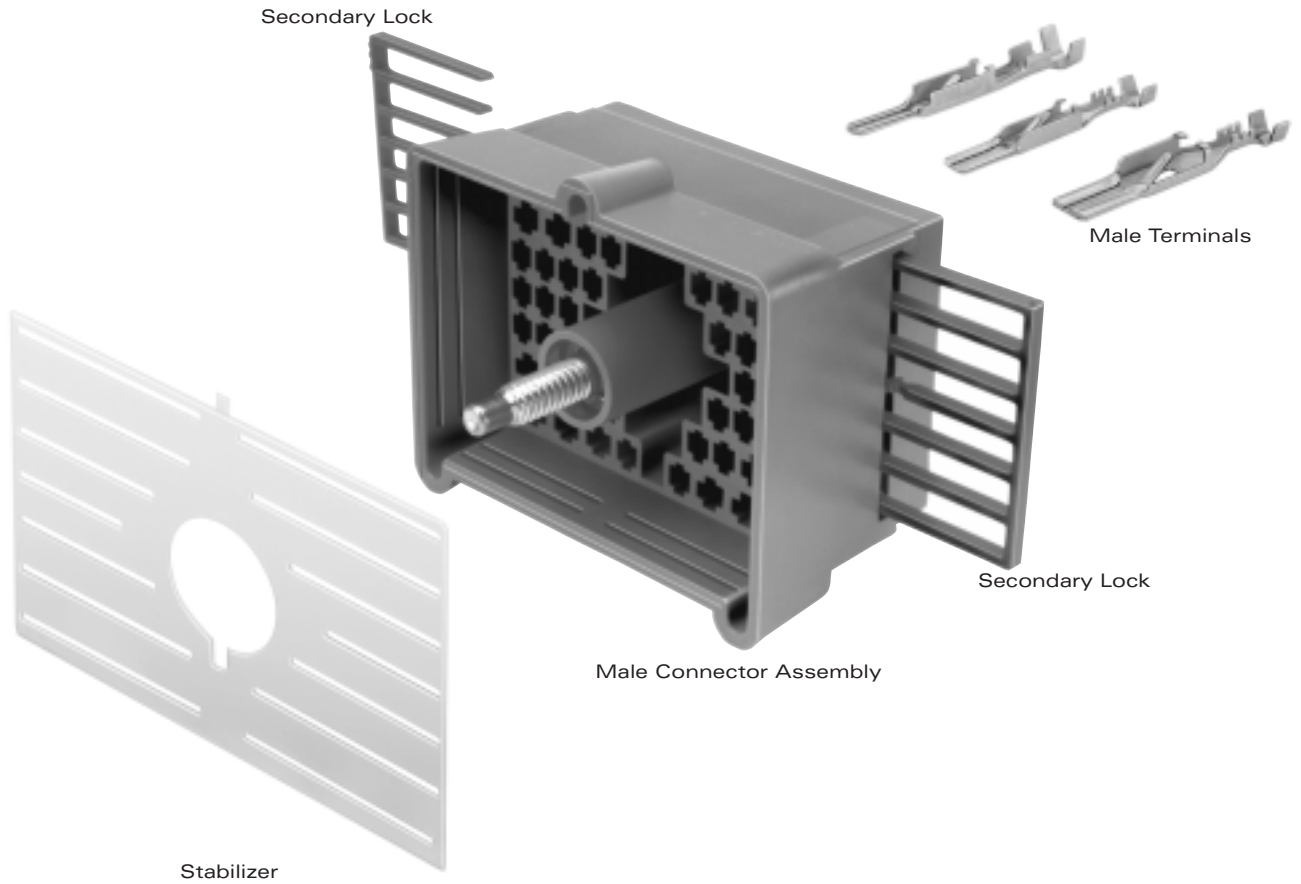
JUNCTION SYSTEMS FEMALE CONNECTORS UNSEALED

# Cavities	Connector	Color	Material	Secondary Lock
42way: 42	12015508	Black	PA6	12015510 12015511
48way: 18	12084183	Black	PA66 HS IM	12047838
: 17	12047842	Black	PA66 HS IM	12047843
: 13	12047840	Gray	PPE	12047841
56way: 56	15394027	Black	PA6	15324764
116way: 116	12162463	Black	PA66 HS IM 14% GF	12047751

<http://delphi.com/products/connect>



Male Unsealed System



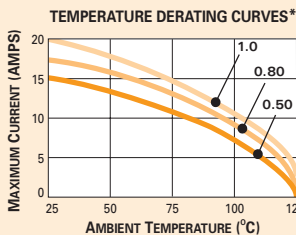
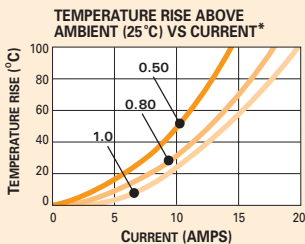
JUNCTION SYSTEMS MALE CONNECTOR ASSEMBLIES UNSEALED

# Cavities	Conn. Asm.	Color	Material	Secondary Lock	Stabilizer	
42way: 25	12015509	Black	PA66 HS IM	12015510	12162412	
	: 17	12020629	Black	PA6	12015511	12162413
48way: 48	12077822	Black	PA6	12047845	12186880	
				12047846		
				12047838		
56way: 56	12059735	Md. Gray	PA66 HS IM	15324764	12186869	
116way: 116	12065705	Black	PPE	12047752	12124732	



Unsealed System Application Information

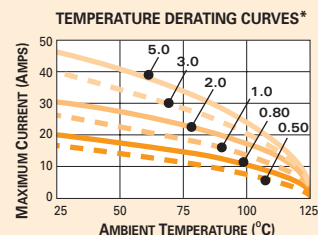
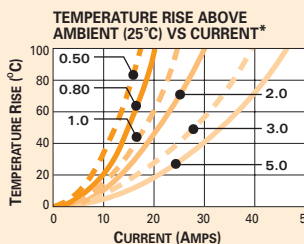
150 SERIES TERMINALS-Tin Plated



CABLE RANGE (mm²): **0.35-1.0**
 CURRENT RANGE (AMPS): **0-14**
 TEMP RANGE °C: **-40 to 125**
 RESISTANCE: **<10mΩ@20mV**

VOLTAGE DROP: **<10.0mV/amp**
 CENTERLINE SPACING (mm):
 **Connector Dependent**
 BLADE WIDTH (mm): **1.5**

280 SERIES TERMINALS - Tin Plated



CABLE RANGE (mm²): **0.35-5.0**
 CURRENT RANGE (AMPS): **0-30**
 TEMP RANGE °C: **-40 to 125**
 RESISTANCE: **<10mΩ@20mV**

VOLTAGE DROP: **<3.0mV/amp**
 CENTERLINE SPACING (mm):
 **Connector Dependent**
 BLADE WIDTH (mm): **2.8**

* The test data are based on single circuits in free space and were generated using a "Lumped Resistance" model. This model does not account for all of the variables that would be present in an actual application. For actual product performance, contact your regional support representative at the number listed below.



150 SERIES FEMALE TERMINALS UNSEALED

Part #	Cable Range (mm ²)	Material	Plating
12047767	1.0-0.80	Silicon Bronze	Tin
12064971	0.50-0.35	Silicon Bronze	Tin

480 SERIES FEMALE TERMINALS UNSEALED

Part #	Cable Range (mm ²)	Material	Plating
12084595	5.0	Tin Brass	Tin
12052221	3.0	Tin Brass	Tin
12124304	2.0-1.0	Tin Brass	Tin
12015860	0.80	Tin Brass	Tin
12052219	0.50-0.35	Tin Brass	Tin
12020366	1.0-0.50 (1 Req'd.) 0.80-0.50 (1 Req'd.)	Tin Brass	Tin



280 SERIES FEMALE TERMINALS UNSEALED

Part #	Cable Range (mm ²)	Material	Plating
12015858	5.0	Tin Brass	Tin
12129494	3.0-2.0	Tin Brass	Tin
12034046	1.0-0.80	Tin Brass	Tin
12052217	0.50-0.35	Tin Brass	Tin
12162597*	3.0-2.0	Tin Brass	Tin
12162595*	1.0-0.80	Tin Brass	Tin
12162596*	0.50-0.35	Tin Brass	Tin

630 SERIES FEMALE TERMINALS UNSEALED

Part #	Cable Range (mm ²)	Material	Plating
12084590	5.0	Tin Brass	Tin
12084596	3.0 (2 Req'd.)	Tin Brass	Tin
12052224	3.0	Tin Brass	Tin
12015870	2.0-1.0	Tin Brass	Tin
12015869	1.0-0.80	Tin Brass	Tin
12020035	0.80-0.50 (2 Req'd.)	Tin Brass	Tin
12052222	0.50-0.35	Tin Brass	Tin

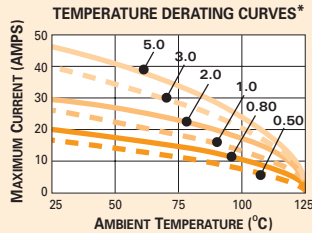
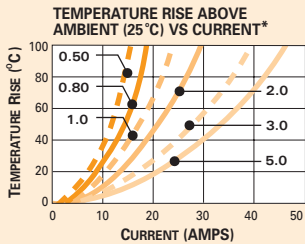
* **Thin Stock**—Electrical current restrictions may apply, contact your regional support representative at the number listed below for specifications.

<http://delphi.com/products/connect>



Unsealed System Application Information

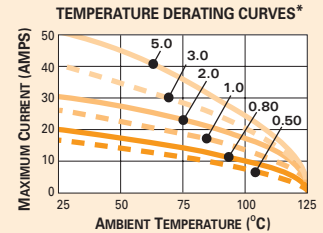
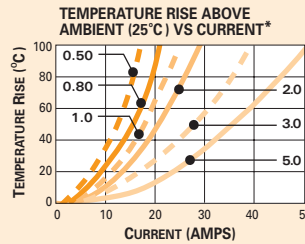
480 SERIES TERMINALS-Tin Plated



CABLE RANGE (mm²): 0.35-5.0
 CURRENT RANGE (AMPS): 0-42
 TEMP RANGE °C: -40 to 125
 RESISTANCE: <10mΩ@20mV

VOLTAGE DROP: <3.0mV/amp
 CENTERLINE SPACING (mm):
 Connector Dependent
 BLADE WIDTH (mm): 4.8

630 SERIES TERMINALS-Tin Plated



CABLE RANGE (mm²): 0.35-5.0
 CURRENT RANGE (AMPS): 0-46
 TEMP RANGE °C: -40 to 125
 RESISTANCE: <10mΩ@20mV

VOLTAGE DROP: <3.0mV/amp
 CENTERLINE SPACING (mm):
 Connector Dependent
 BLADE WIDTH (mm): 6.3

* The test data are based on single circuits in free space and were generated using a "Lumped Resistance" model. This model does not account for all of the variables that would be present in an actual application. For actual product performance, contact your regional support representative at the number listed below.



150 SERIES MALE TERMINALS UNSEALED

Part #	Cable Range (mm ²)	Material	Plating
12047581	1.0-0.80	Tin Brass	Tin
12059894	0.50-0.35	Tin Brass	Tin



480 SERIES MALE TERMINALS UNSEALED

Part #	Cable Range (mm ²)	Material	Plating
12033820	5.0	Tin Brass	Tin over Copper
12052827	3.0	Tin Brass	Tin over Copper
12020120	2.0-1.0	Tin Brass	Tin over Copper
12020119	1.0-0.80	Tin Brass	Tin over Copper
12066269	0.50-0.35	Tin Brass	Tin over Copper
12020784	0.35 (2 Req'd.)	Tin Brass	Tin over Copper



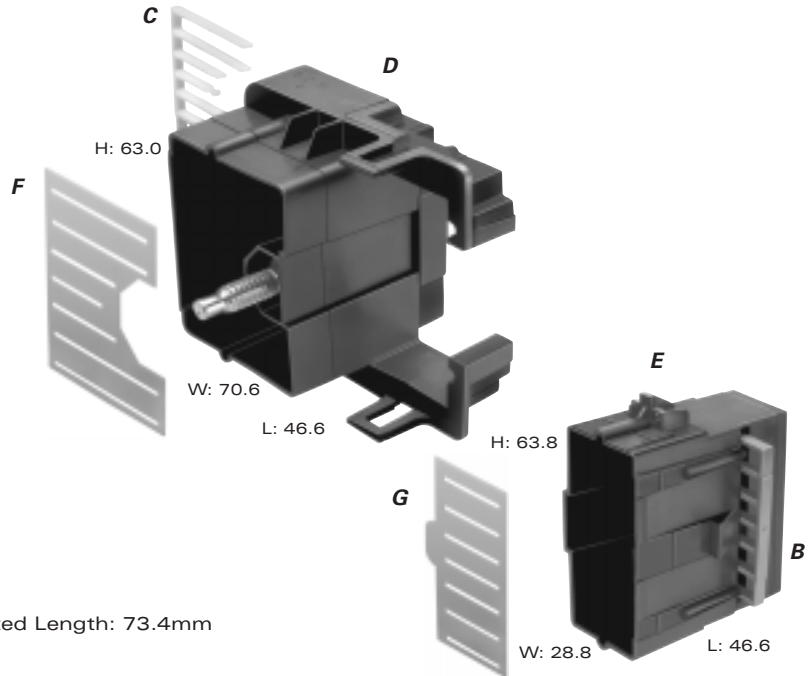
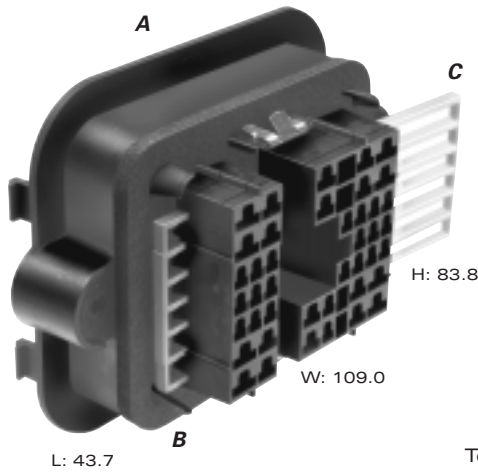
280 SERIES MALE TERMINALS UNSEALED

Part #	Cable Range (mm ²)	Material	Plating
12084586	5.0	Tin Brass	Tin
12129498	3.0-2.0	Tin Brass	Tin
12020116	1.0	Tin Brass	Tin
12034047	1.0-0.80	Tin Brass	Tin
12066271	0.50-0.35	Tin Brass	Tin
12020782	0.35 (2 Req'd.)	Tin Brass	Tin



630 SERIES MALE TERMINALS UNSEALED

Part #	Cable Range (mm ²)	Material	Plating
12066493	5.0	Tin Brass	Tin over Copper
12052826	3.0	Tin Brass	Tin over Copper
12020365	3.0 (2 Req'd.)	Tin Brass	Tin over Copper
12020126	2.0-1.0	Tin Brass	Tin over Copper
12020125	1.0-0.80	Tin Brass	Tin over Copper
12033972	0.80-0.50 (2 Req'd.)	Tin Brass	Tin over Copper
12066454	0.50-0.35	Tin Brass	Tin over Copper



Total Mated Length: 73.4mm

A PART NO: 12015508
 DESCRIPTION: Connector Assembly 42F
 SIZE: 43.7L x 83.8H x 109.0W
 COLOR: Black
 MATERIAL: PA6
 TERMINALS: See Page 138
 NOTE: Available with Grease Covers 12015513 and 12033602

D PART NO: 12015509
 DESCRIPTION: Connector Assembly 25M
 SIZE: 46.6L x 63.0H x 70.6W
 COLOR: Black
 MATERIAL: PA66 HS IM
 TERMINALS: See Page 139

B PART NO: 12015511
 DESCRIPTION: Secondary Lock
 NUMBER REQ: 2
 COLOR: Blue
 MATERIAL: PBT

E PART NO: 12020629
 DESCRIPTION: Connector 17M
 SIZE: 46.6L x 63.8H x 28.8W
 COLOR: Black
 MATERIAL: PA6
 TERMINALS: See Page 139
 NOTE: Available with Grease Cover 12033601

C PART NO: 12015510
 DESCRIPTION: Secondary Lock
 NUMBER REQ: 2
 COLOR: Natural
 MATERIAL: PBT

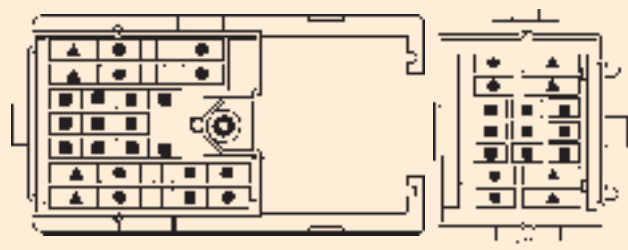
F PART NO: 12162412
 DESCRIPTION: Stabilizer
 COLOR: Natural
 MATERIAL: Mylar

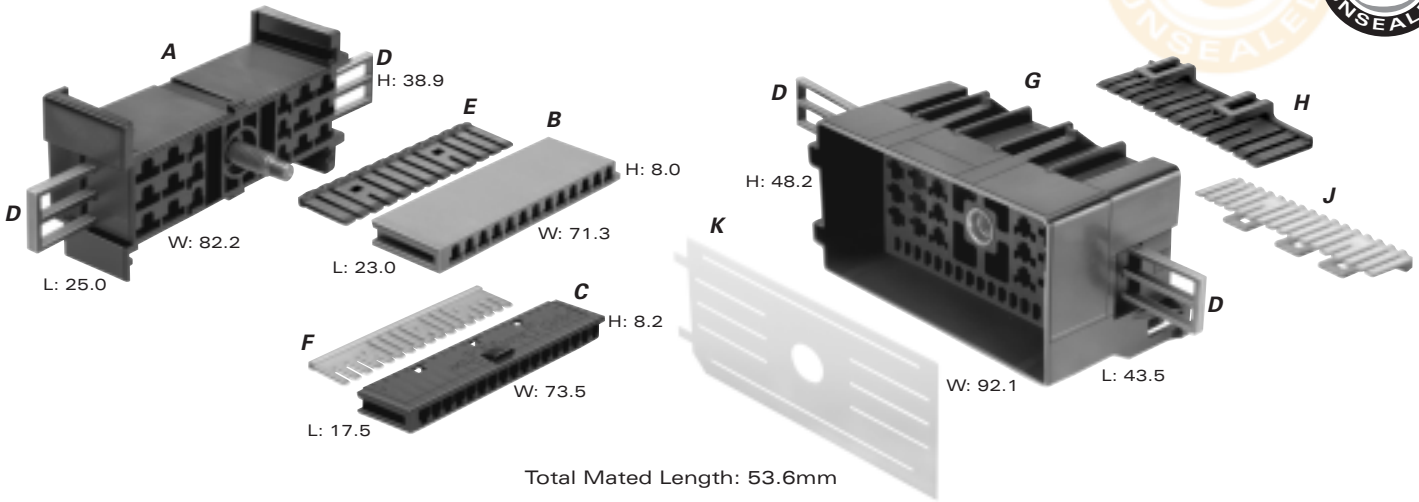
G PART NO: 12162413
 DESCRIPTION: Stabilizer
 COLOR: Natural
 MATERIAL: Mylar

KEY:

- 280 SERIES
- 480 SERIES
- ▲ 630 SERIES

Mixed connectors feature a combination of different terminal cavities, as indicated by the key.





A PART NO: 12084183
 DESCRIPTION: Connector Assembly 18F
 SIZE: 25.0L x 38.9H x 82.2W
 COLOR: Black
 MATERIAL: PA66 HS IM
 TERMINALS: See Page 138

G PART NO: 12077822
 DESCRIPTION: Connector Assembly 48M
 SIZE: 43.5L x 48.2H x 92.1W
 COLOR: Black
 MATERIAL: PA6
 TERMINALS: See Page 139

B PART NO: 12047840
 DESCRIPTION: Connector 13F
 SIZE: 23.0L x 8.0H x 71.3W
 COLOR: Gray
 MATERIAL: PPE
 TERMINALS: See Page 138

H PART NO: 12047845
 DESCRIPTION: TPA
 COLOR: Natural
 MATERIAL: PBT

C PART NO: 12047842
 DESCRIPTION: Connector 17F
 SIZE: 17.5L x 8.2H x 73.5W
 COLOR: Black
 MATERIAL: PA66 HS IM
 TERMINALS: See Page 138

J PART NO: 12047846
 DESCRIPTION: TPA
 COLOR: Blue
 MATERIAL: PBT IM

D PART NO: 12047838
 DESCRIPTION: Secondary Lock
 NUMBER REQ: 4
 COLOR: Blue
 MATERIAL: PBT

K PART NO: 12186880
 DESCRIPTION: Stabilizer
 COLOR: Natural
 MATERIAL: Mylar

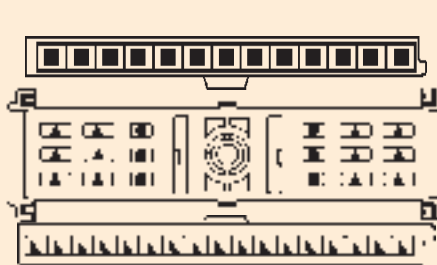
E PART NO: 12047841
 DESCRIPTION: TPA
 COLOR: Blue
 MATERIAL: PBT

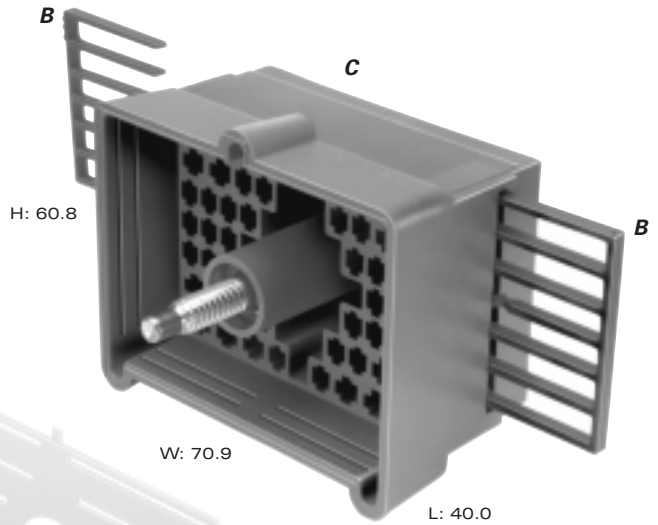
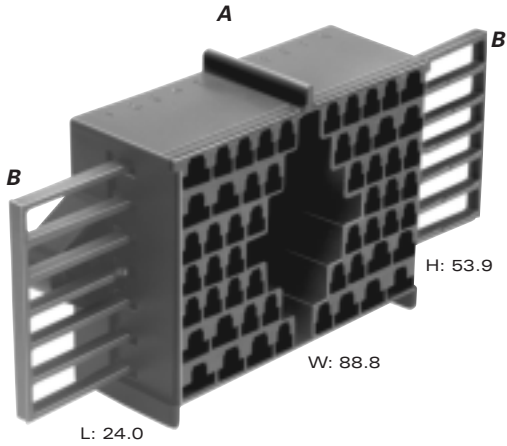
F PART NO: 12047843
 DESCRIPTION: TPA
 COLOR: Natural
 MATERIAL: PBT

KEY:

- 150 SERIES
- 280 SERIES
- ▲ 630 SERIES

Mixed connectors feature a combination of different terminal cavities, as indicated by the key.





Total Mated Length: 60.4mm

A PART NO: 15394027
 DESCRIPTION: Connector Assembly 56F
 SIZE: 24.0L x 53.9H x 88.8W
 COLOR: Black
 MATERIAL: PA6
 TERMINALS: See Page 138

C PART NO: 12059735
 DESCRIPTION: Connector Assembly 56M
 SIZE: 40.0L x 60.8H x 70.9W
 COLOR: Md. Gray
 MATERIAL: PA66 HS IM
 TERMINALS: See Page 139

B PART NO: 15324764
 DESCRIPTION: Secondary Lock
 NUMBER REQ: 4
 COLOR: Blue
 MATERIAL: PBT

D PART NO: 12186869
 DESCRIPTION: Stabilizer
 COLOR: Natural
 MATERIAL: Mylar

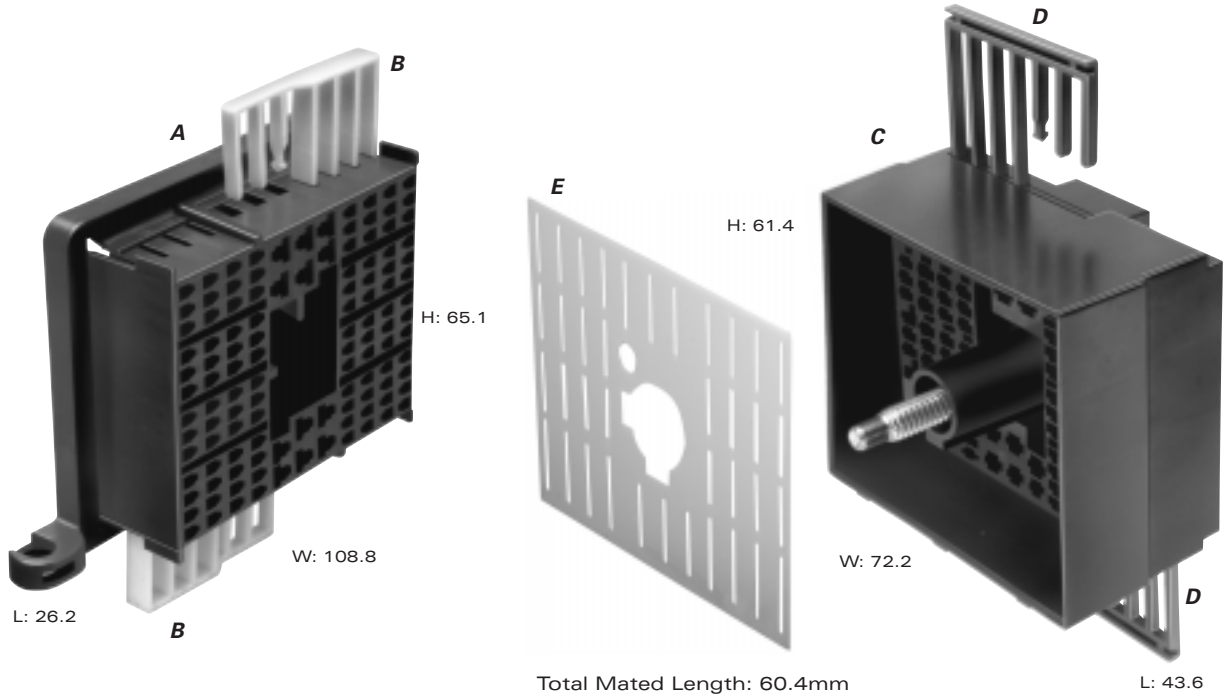
KEY:

- 280 SERIES
- 480 SERIES
- ▲ 630 SERIES

Mixed connectors feature a combination of different terminal cavities, as indicated by the key.



<http://delphi.com/products/connect>



A PART NO: 12162463
 DESCRIPTION: Connector Assembly 116F
 SIZE: 26.2L x 65.1H x 108.8W
 COLOR: Black
 MATERIAL: PA66 HS IM 14% GF
 TERMINALS: See Page 138

C PART NO: 12065705
 DESCRIPTION: Connector Assembly 116M
 SIZE: 43.6L x 61.4H x 72.2W
 COLOR: Black
 MATERIAL: PPE
 TERMINALS: See Page 139
 NOTE: See product print for assembly information

B PART NO: 12047751
 DESCRIPTION: Secondary Lock
 NUMBER REQ: 2
 COLOR: Natural
 MATERIAL: PBT

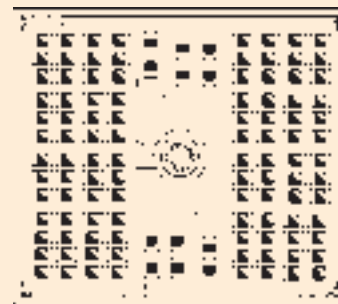
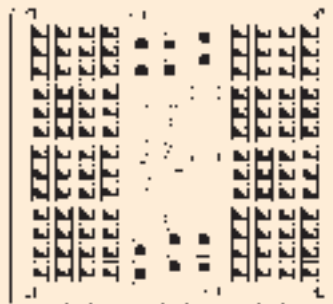
D PART NO: 12047752
 DESCRIPTION: Secondary Lock
 NUMBER REQ: 2
 COLOR: Blue
 MATERIAL: PBT

E PART NO: 12124732
 DESCRIPTION: Stabilizer
 COLOR: Natural
 MATERIAL: Mylar

KEY:

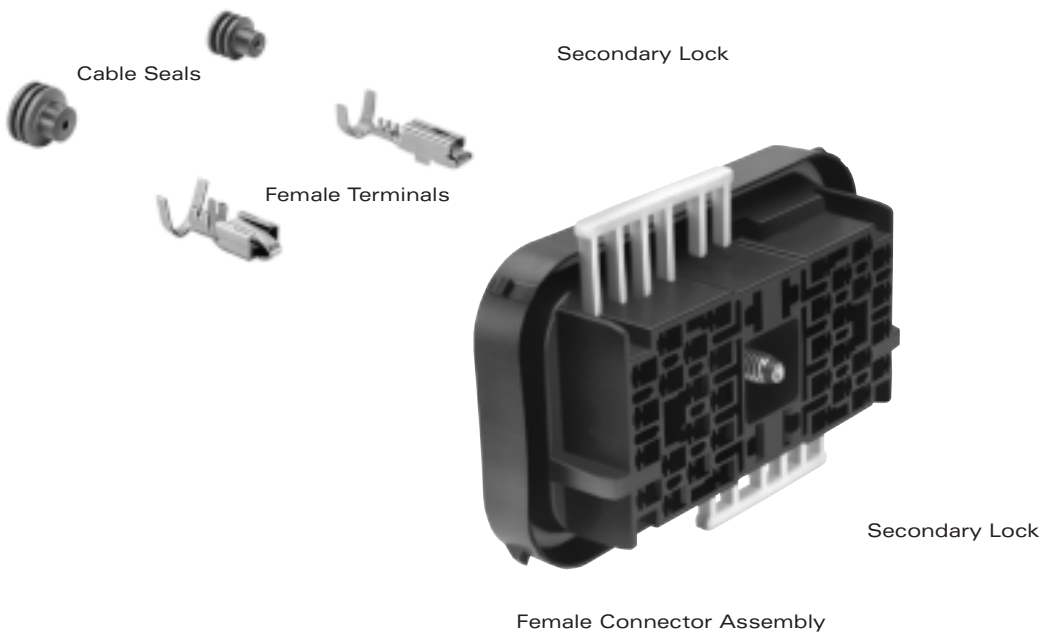
- 150 SERIES
- 280 SERIES

Mixed connectors feature a combination of different terminal cavities, as indicated by the key.





Female Sealed System



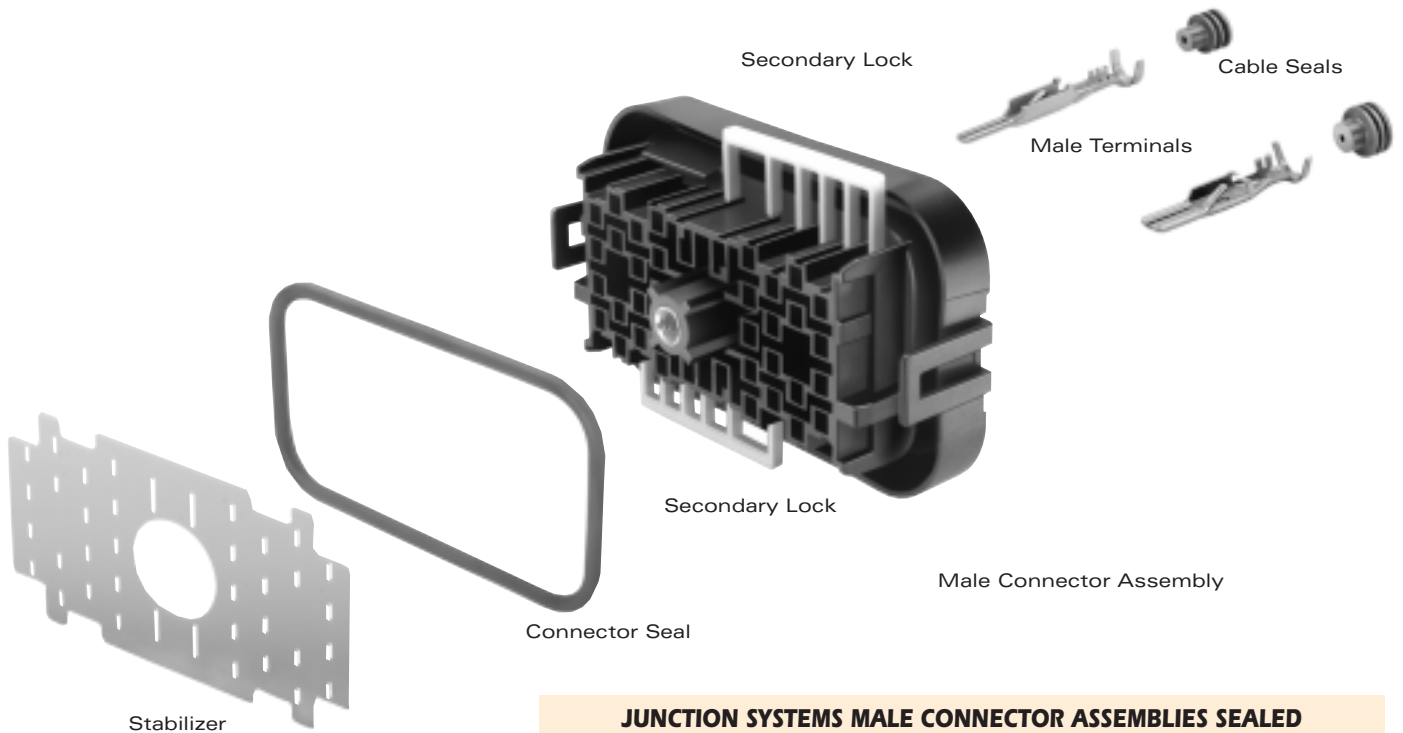
JUNCTION SYSTEMS FEMALE CONNECTOR ASSEMBLIES SEALED

# Cavities	Conn. Asm.	Color	Material	Secondary Lock
30	12065850	Black	PBT	12066050
36	12092491*	Black	PBT	12064835
38	12191499	Black	PA66 15% GF & 25% MF	12129669
78	12129206	Black	PA66 HS 33% GF	12129214

*Note: 12092491 (F) is unsealed for use in a protected environment.



Male Sealed System



JUNCTION SYSTEMS MALE CONNECTOR ASSEMBLIES SEALED

# Cavities	Conn. Asm.	Color	Material	Secondary Lock	Stabilizer	Shroud	Connector Seal
30	12160959	Black	PBT	12065848	–	12176538	12065849
36	12064839	Black	PBT	12064834	–	12066590	12064837
38	12191487	Dk. Gray	PA66 HS IM 14% GF	12129670	15317352	12161191	12129672
78	12176690	Black	PA66 HS 33% GF	12129213	12162573	12162527	–



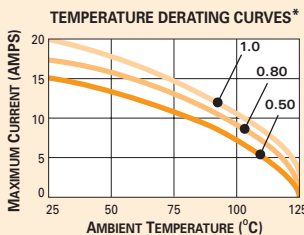
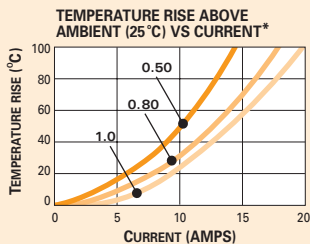
Shroud

<http://delphi.com/products/connect>



Sealed System Application Information

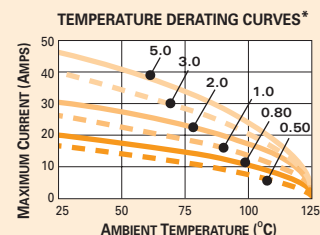
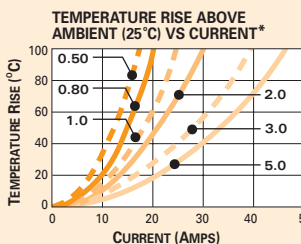
150 SERIES TERMINALS-Tin Plated



CABLE RANGE (mm²): **0.35-1.0**
 CURRENT RANGE (AMPS): **0-14**
 TEMP RANGE °C: **-40 to 125**
 RESISTANCE: **<10mΩ@20mV**

VOLTAGE DROP: **<10.0mV/amp**
 CENTERLINE SPACING (mm):
 **Connector Dependent**
 BLADE WIDTH (mm): **1.5**

280 SERIES TERMINALS - Tin Plated



CABLE RANGE (mm²): **0.35-5.0**
 CURRENT RANGE (AMPS): **0-30**
 TEMP RANGE °C: **-40 to 125**
 RESISTANCE: **<10mΩ@20mV**

VOLTAGE DROP: **<3.0mV/amp**
 CENTERLINE SPACING (mm):
 **Connector Dependent**
 BLADE WIDTH (mm): **2.8**

* The test data are based on single circuits in free space and were generated using a "Lumped Resistance" model. This model does not account for all of the variables that would be present in an actual application. For actual product performance, contact your regional support representative at the number listed below.

150 SERIES FEMALE TERMINALS SEALED

Part #	Cable Range (mm ²)	Material	Plating
12048074	1.0-0.80	Silicon Bronze	Tin
12084200	0.50-0.35	Silicon Bronze	Tin
12160223	1.0-0.80	Beryllium Copper	Silver/Nickel
12160222	0.50-0.35	Beryllium Copper	Silver/Nickel

480 SERIES FEMALE TERMINALS SEALED

Part #	Cable Range (mm ²)	Material	Plating
12052139	5.0-3.0	Tin Brass	Tin
12048451	2.0-1.0	Tin Brass	Tin
12048450	0.80-0.50	Tin Brass	Tin

280 SERIES FEMALE TERMINALS SEALED

Part #	Cable Range (mm ²)	Material	Plating
12077413	5.0	Tin Brass	Tin
12129493	3.0-2.0	Tin Brass	Tin
12077411	1.0-0.80	Tin Brass	Tin
12084201	0.50-0.35	Tin Brass	Tin
12176387	5.0	Beryllium Copper	Silver/Nickel
12176388	3.0-2.0	Beryllium Copper	Silver/Nickel
12176389	1.0-0.80	Beryllium Copper	Silver/Nickel

630 SERIES FEMALE TERMINALS SEALED

Part #	Cable Range (mm ²)	Material	Plating
12052456	5.0-3.0	Tin Brass	Tin
12052455	2.0-1.0	Tin Brass	Tin
12052457	0.80-0.50	Tin Brass	Tin

TANGLESS

280 TANGLESS SERIES FEMALE TERMINALS SEALED

Part #	Cable Range (mm ²)	Material	Plating
12110853	5.0-3.0	Tin Brass	Tin
12129409	2.0	Tin Brass	Tin
12110845*	3.0-2.0	Tin Brass	Tin
12110847*	1.0-0.80	Tin Brass	Tin
12110846*	0.50-0.35	Tin Brass	Tin

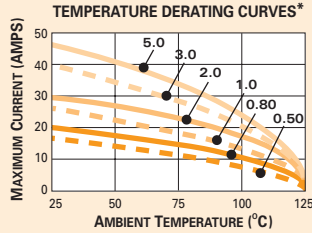
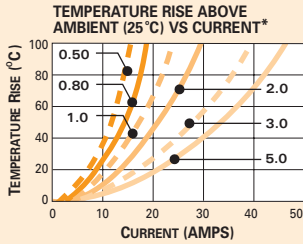
Use for Part No. 12191499 (Shown on Page 151)

* Thin Stock—Electrical current restrictions may apply, contact your regional support representative at the number listed below.



Sealed System Application Information

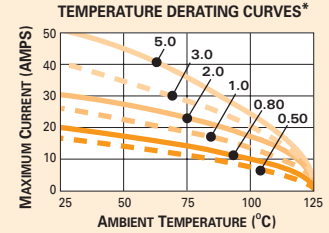
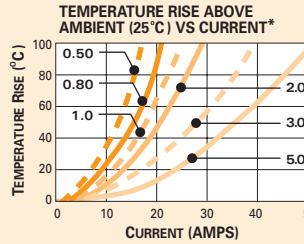
480 SERIES TERMINALS-Tin Plated



CABLE RANGE (mm²): 0.35-5.0
 CURRENT RANGE (AMPS): 0-42
 TEMP RANGE °C: -40 to 125
 RESISTANCE: <10mΩ@20mV

VOLTAGE DROP: <3.0mV/amp
 CENTERLINE SPACING (mm):
 Connector Dependent
 BLADE WIDTH (mm): 4.8

630 SERIES TERMINALS-Tin Plated



CABLE RANGE (mm²): 0.35-5.0
 CURRENT RANGE (AMPS): 0-46
 TEMP RANGE °C: -40 to 125
 RESISTANCE: <10mΩ@20mV

VOLTAGE DROP: <3.0mV/amp
 CENTERLINE SPACING (mm):
 Connector Dependent
 BLADE WIDTH (mm): 6.3

* The test data are based on single circuits in free space and were generated using a "Lumped Resistance" model. This model does not account for all of the variables that would be present in an actual application. For actual product performance, contact your regional support representative at the number listed below.



150 SERIES MALE TERMINALS SEALED

Part #	Cable Range (mm ²)	Material	Plating
12045773	1.0-0.80	Tin Brass	Tin
12077628	0.50-0.35	Tin Brass	Tin



480 SERIES MALE TERMINALS SEALED

Part #	Cable Range (mm ²)	Material	Plating
12052172	5.0	Tin Brass	Tin
12065197	3.0	Tin Brass	Tin
12065196	2.0-1.0	Tin Brass	Tin



280 SERIES MALE TERMINALS SEALED

Part #	Cable Range (mm ²)	Material	Plating
12048254	5.0	Tin Brass	Tin
12129497	3.0-2.0	Tin Brass	Tin
12048159	1.0-0.80	Tin Brass	Tin
12124977	0.50-0.35	Tin Brass	Tin



630 SERIES MALE TERMINALS SEALED

Part #	Cable Range (mm ²)	Material	Plating
12064736	5.0	Tin Brass	Tin
12064737	3.0	Tin Brass	Tin
12064735	2.0-1.0	Tin Brass	Tin
12064734	0.80-0.50	Tin Brass	Tin



Sealed System Cable Seals & Cavity Plugs



150 METRI-PACK CABLE SEALS				
Reel Part #	Loose Part #	Cable Diameter	Material	Color
12052924	12048086	2.85-2.03	Silicone	Dk. Red
12089442	12089678	2.15-1.60	Silicone	White
12052925	12048087	1.70-1.29	Silicone	Blue
12124669	12084193	1.009-0.995	Silicone	Tan



150 METRI-PACK CAVITY PLUG*			
Part #	Cavity Inside Diameter	Material	Color
12059168	5.2mm	Silicone	Dk. Red

*Cavity plugs seal unused female and male cavities.



280 METRI-PACK CABLE SEALS				
Reel Part #	Loose Part #	Cable Diameter	Material	Color
12015360	12015193	4.30-3.45	Silicone	Blue
12015359	12010293	3.49-2.81	Silicone	Lt. Gray
12015284	12015323	2.85-2.03	Silicone	Green
12041352	12041351	2.42-2.03	Silicone	Tan
12089444	12089679	2.15-1.60	Silicone	Purple
12034365	12015899	1.70-1.29	Silicone	Dk. Red



280 METRI-PACK CAVITY PLUG*			
Part #	Cavity Inside Diameter	Material	Color
12010300	6.7mm	Silicone	Green

*Cavity plugs seal unused female and male cavities.



480 METRI-PACK CABLE SEALS				
Reel Part #	Loose Part #	Cable Diameter	Material	Color
12065703	12034170	5.16-4.40	Silicone	Orange
12052453	12048443	4.50-3.61	Silicone	Purple
12052452	12048442	3.75-2.81	Silicone	Red
12048433	12048441	2.85-2.01	Silicone	White
12052931	12052930	2.15-1.60	Silicone	Yellow
12162068	12162067	1.70-1.29	Silicone	Pink



480 METRI-PACK CAVITY PLUG*			
Part #	Cavity Inside Diameter	Material	Color
12066082	8.5mm	Silicone	Lt. Green

*Cavity plugs seal unused female and male cavities.



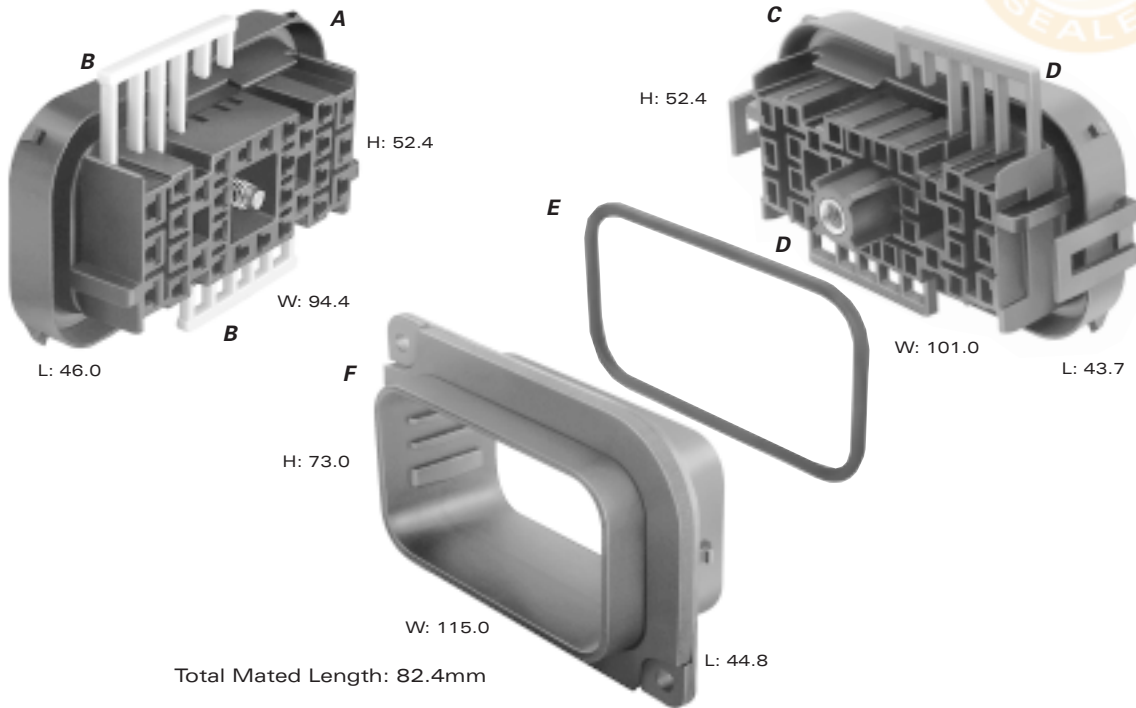
630 METRI-PACK CABLE SEALS				
Reel Part #	Loose Part #	Cable Diameter	Material	Color
12059257	12052386	5.15-4.40	Silicone	Green
12059260	12052668	4.50-3.61	Silicone	Blue
12059258	12052387	3.75-2.81	Silicone	Lt. Gray
12059259	12052388	2.85-2.01	Silicone	Dk. Red
12077760	12077759	2.15-1.65	Silicone	Tan



630 METRI-PACK CAVITY PLUG*			
Part #	Cavity Inside Diameter	Material	Color
12059255	9.8mm	Silicone	Lt. Green

*Cavity plugs seal unused female and male cavities.

<http://delphi.com/products/connect>



A PART NO: 12065850
 DESCRIPTION: Connector Assembly 30F
 SIZE: 46.0L x 52.4H x 94.4W
 COLOR: Black
 MATERIAL: PBT
 TERMINALS: See Page 146
 SEALS/PLUGS: See Page 148

B PART NO: 12066050
 DESCRIPTION: Secondary Lock
 NUMBER REQ: 2
 COLOR: Natural
 MATERIAL: PBT

C PART NO: 12160959
 DESCRIPTION: Connector Assembly 30M
 SIZE: 43.7L x 52.4H x 101.0W
 COLOR: Black
 MATERIAL: PBT
 TERMINALS: See Page 147
 SEALS/PLUGS: See Page 148
 NOTE: Wire dress cover 12066129 is available.

D PART NO: 12065848
 DESCRIPTION: Secondary Lock
 NUMBER REQ: 2
 COLOR: Blue
 MATERIAL: PBT

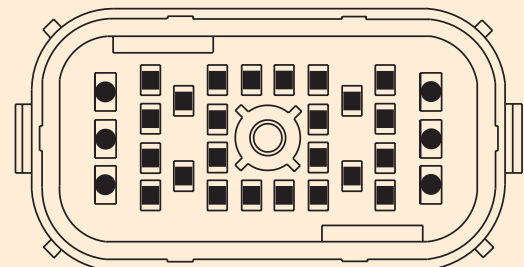
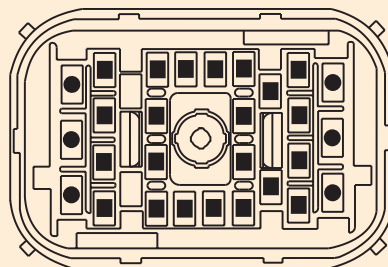
E PART NO: 12065849
 DESCRIPTION: Connector Seal
 COLOR: Green
 MATERIAL: Silicone

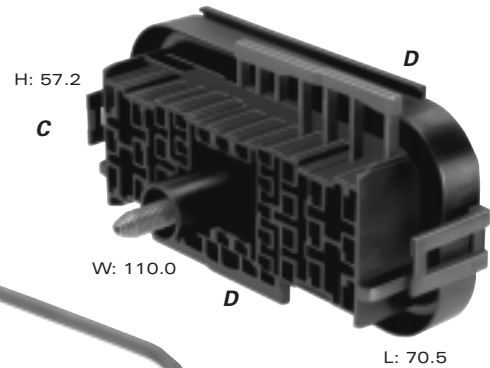
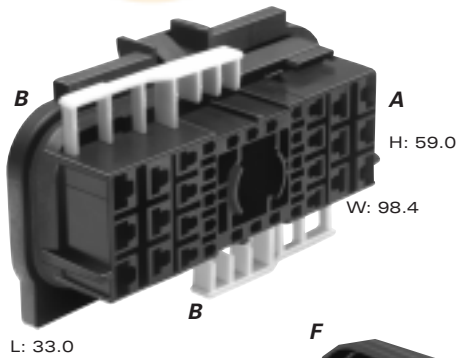
F PART NO: 12176538
 DESCRIPTION: Pass-Through Shroud
 SIZE: 44.8L x 73.0H x 115.0W
 COLOR: Black
 MATERIAL: PBT 15% GF
 NOTE: Body mount shroud 12065847 is available.

KEY:

- 280 SERIES
- 480 SERIES

Mixed connectors feature a combination of different terminal cavities, as indicated by the key.





Total Mated Length: 88.9mm

A PART NO: 12092491
 DESCRIPTION: Connector Assembly 36F (Unsealed)
 SIZE: 33.0L x 59.0H x 98.4W
 COLOR: Black
 MATERIAL: PBT
 TERMINALS: See Page 138 for Unsealed terminals

C PART NO: 12064839
 DESCRIPTION: Connector Assembly 36M
 SIZE: 70.5L x 57.2H x 110.0W
 COLOR: Black
 MATERIAL: PBT
 TERMINALS: See Page 147
 SEALS/PLUGS: See Page 148

B PART NO: 12064835
 DESCRIPTION: Secondary Lock
 NUMBER REQ: 2
 COLOR: Natural
 MATERIAL: PBT

D PART NO: 12064834
 DESCRIPTION: Secondary Lock
 NUMBER REQ: 2
 COLOR: Blue
 MATERIAL: PBT

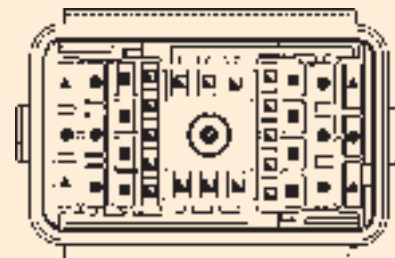
E PART NO: 12064837
 DESCRIPTION: Connector Seal
 COLOR: Green
 MATERIAL: Silicone

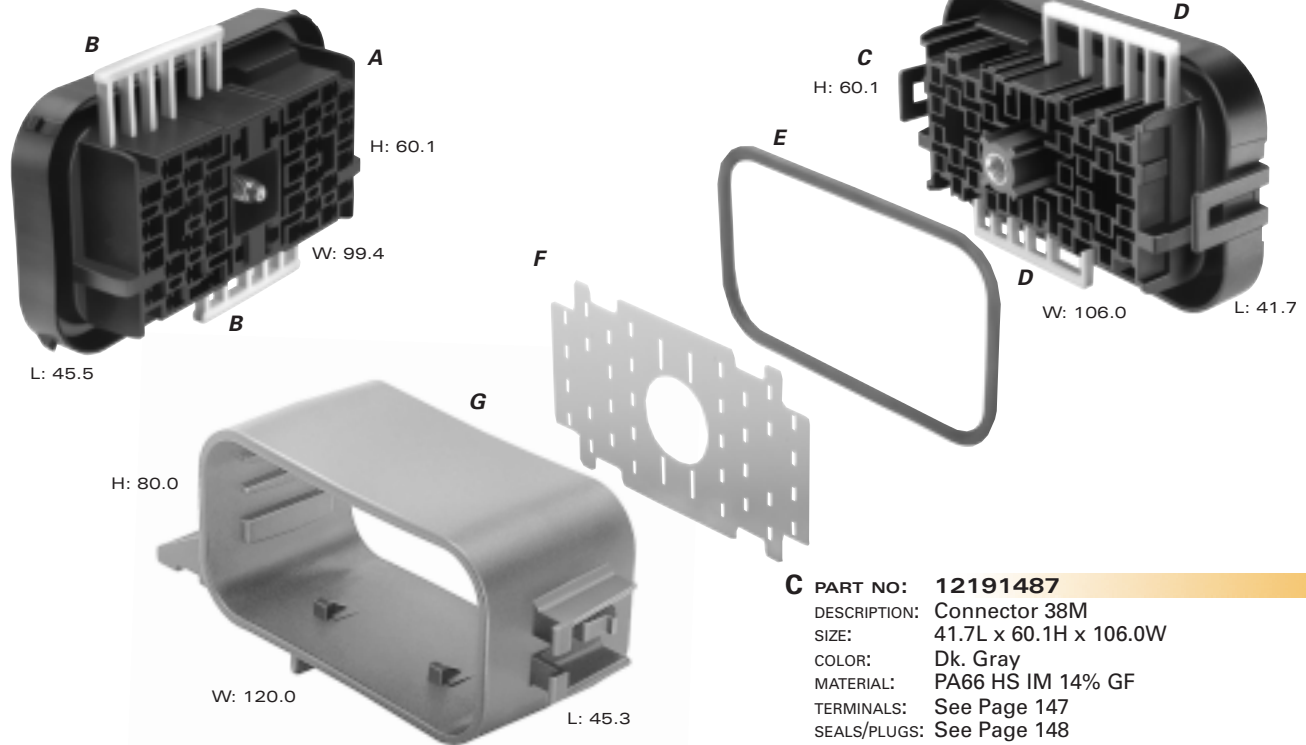
F PART NO: 12066590
 DESCRIPTION: Sliding Shroud
 SIZE: 43.8L x 73.0H x 123.1W
 COLOR: Black
 MATERIAL: PBT 30% GF

KEY:

- 150 SERIES
- 280 SERIES
- 480 SERIES
- ▲ 630 SERIES

Mixed connectors feature a combination of different terminal cavities, as indicated by the key.





Total Mated Length: 85.3mm

A PART NO: 12191499
 DESCRIPTION: Connector Assembly 38F
 SIZE: 45.5L x 60.1H x 99.4W
 COLOR: Black
 MATERIAL: PA66 15% GF & 25% MF
 TERMINALS: See Page 146 - 280 Tangless
 See Page 146 - 630 Series
 SEALS/PLUGS: See Page 148

B PART NO: 12129669
 DESCRIPTION: Secondary Lock
 NUMBER REQ: 2
 COLOR: Natural
 MATERIAL: PBT

C PART NO: 12191487
 DESCRIPTION: Connector 38M
 SIZE: 41.7L x 60.1H x 106.0W
 COLOR: Dk. Gray
 MATERIAL: PA66 HS IM 14% GF
 TERMINALS: See Page 147
 SEALS/PLUGS: See Page 148

D PART NO: 12129670
 DESCRIPTION: Secondary Lock
 NUMBER REQ: 2
 COLOR: Natural
 MATERIAL: PBT

E PART NO: 12129672
 DESCRIPTION: Connector Seal
 COLOR: Green
 MATERIAL: Silicone

F PART NO: 15317352
 DESCRIPTION: Stabilizer
 COLOR: Natural
 MATERIAL: Mylar

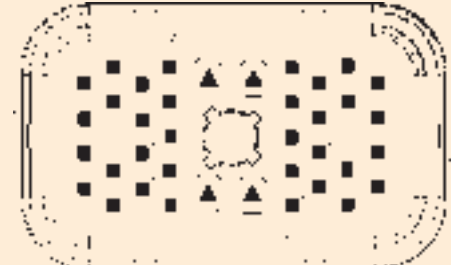
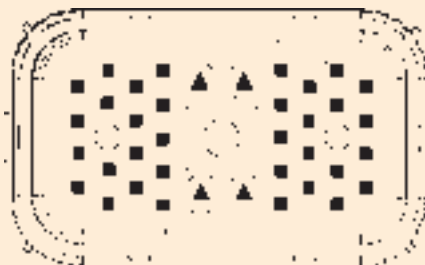
G PART NO: 12161191
 DESCRIPTION: Pass-Through Shroud
 SIZE: 45.3L x 80.0H x 120.0W
 COLOR: Black
 MATERIAL: PBT 15% GF
 NOTE: Body mount shroud 12160809 is available.

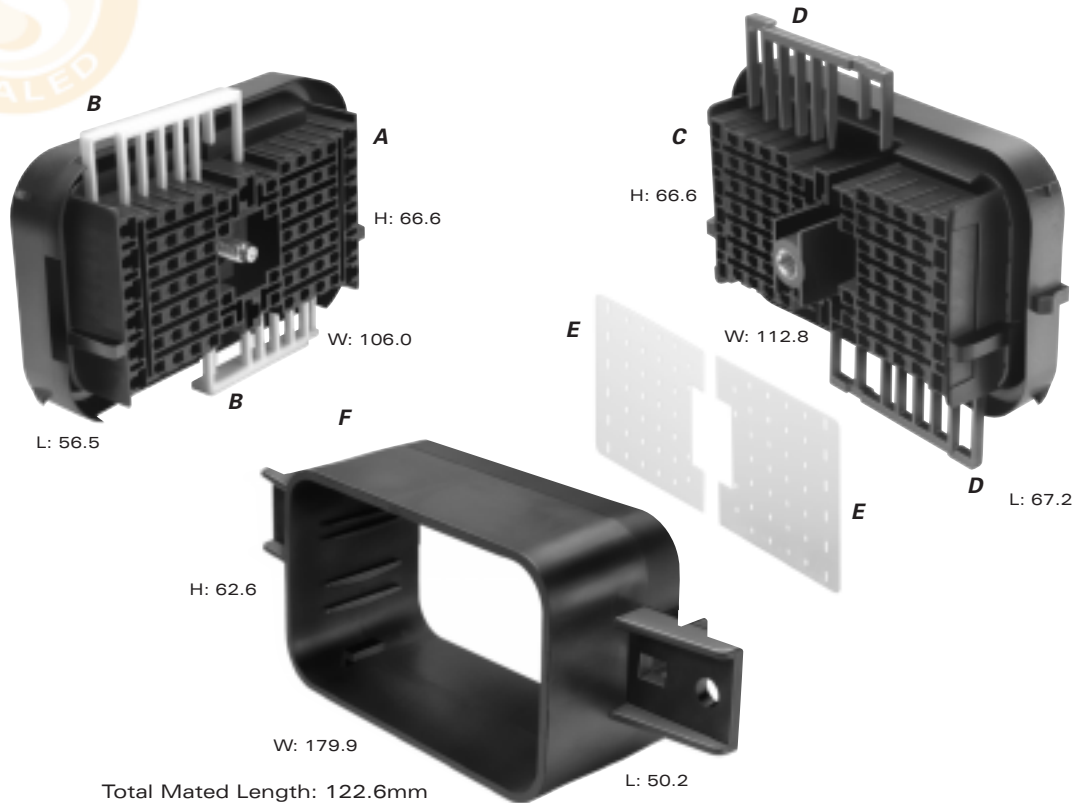
KEY:

TANGLESS

- 280 SERIES
- ▲ 630 SERIES

Mixed connectors feature a combination of different terminal cavities, as indicated by the key.





A PART NO: 12129206
 DESCRIPTION: Connector Assembly 78F
 SIZE: 56.5L x 66.6H x 106.0W
 COLOR: Black
 MATERIAL: PA66 HS 33% GF
 TERMINALS: See Page 146
 SEALS/PLUGS: See Page 148

C PART NO: 12176690
 DESCRIPTION: Connector Assembly 78M
 SIZE: 67.2L x 66.6H x 112.8W
 COLOR: Black
 MATERIAL: PA66 HS 33% GF
 TERMINALS: See Page 147
 SEALS/PLUGS: See Page 148

B PART NO: 12129214
 DESCRIPTION: Secondary Lock
 NUMBER REQ: 2
 COLOR: Natural
 MATERIAL: PBT

D PART NO: 12129213
 DESCRIPTION: Secondary Lock
 NUMBER REQ: 2
 COLOR: Blue
 MATERIAL: PBT

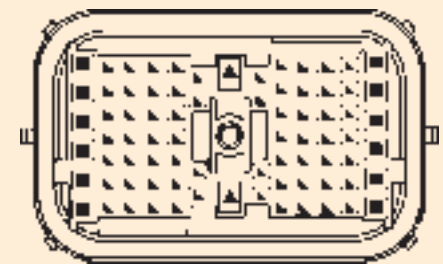
E PART NO: 12162573
 DESCRIPTION: Stabilizer
 NUMBER REQ: 2
 COLOR: Natural
 MATERIAL: Mylar

F PART NO: 12162527
 DESCRIPTION: Sliding Shroud
 SIZE: 50.2L x 62.6H x 179.9W
 COLOR: Black
 MATERIAL: PBT IM

KEY:

- ▣ 150 SERIES
- 280 SERIES
- ▲ 630 SERIES

Mixed connectors feature a combination of different terminal cavities, as indicated by the key.



METRI-PACK SERIES Header

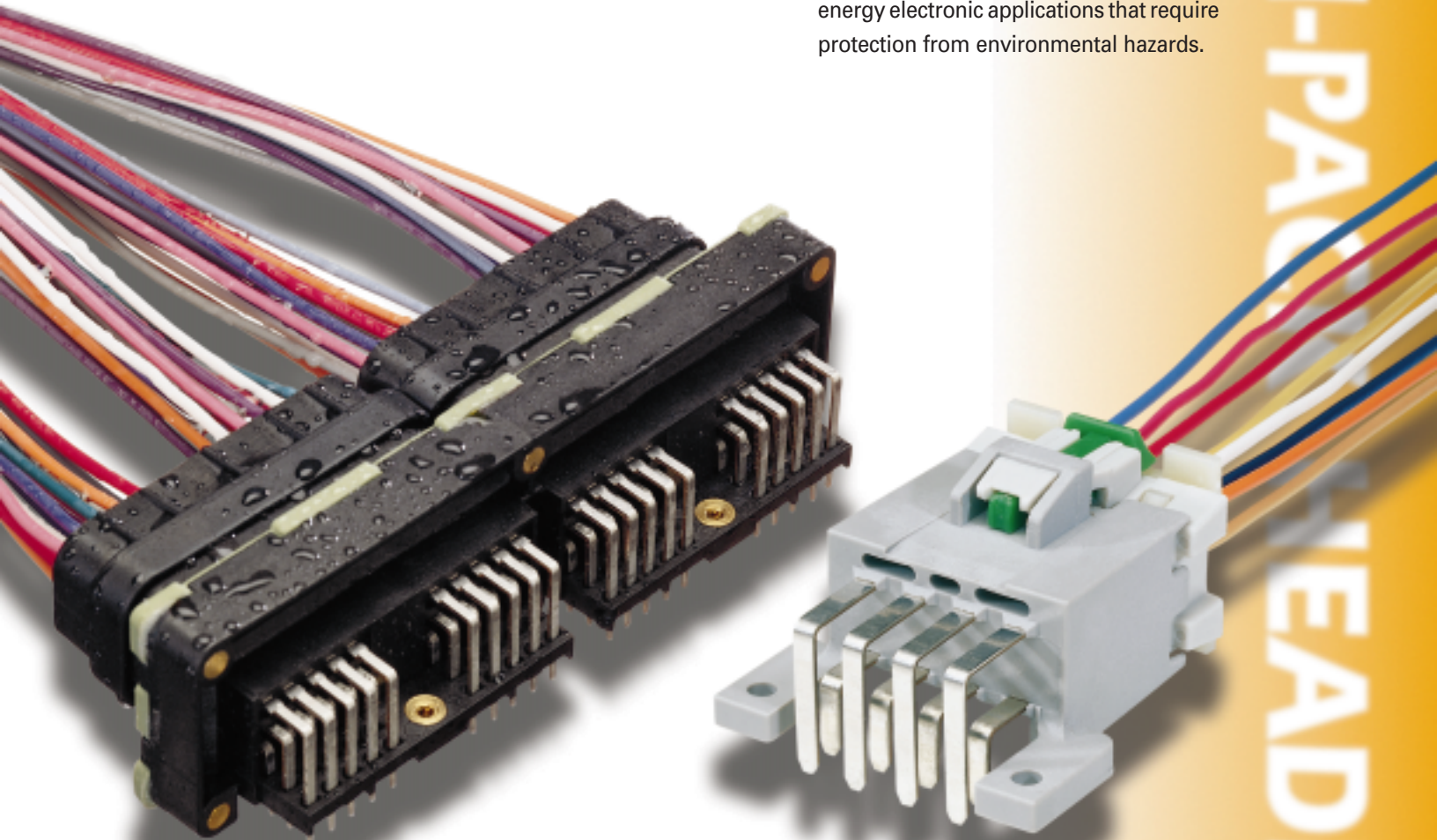


The Metri-Pack 280 Series unsealed electronic header is a versatile, and extremely rugged system designed to meet customer's power circuit needs. This system offers the combination of excellent low energy electronic circuits and power circuit capability in a single connection.



The Metri-Pack 150 Series sealed electronic header is a rugged system designed for severe underhood environments. This system offers the combination of excellent low energy electronic circuits and power circuit capability in a single connection.

Metri-Pack 150 Series sealed header systems are ideally suited for critical, low-energy electronic applications that require protection from environmental hazards.



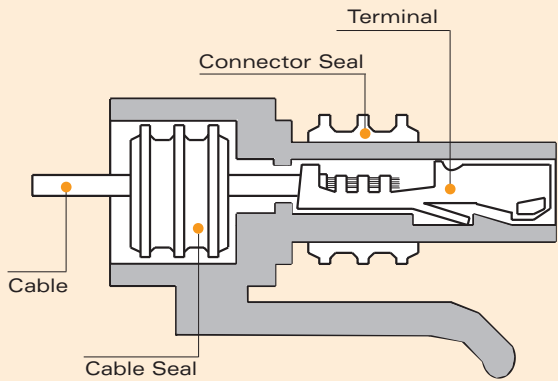
Metri-Pack Header Features

- Terminal Position Assurance (TPA)
- 14 Amps continuous maximum current rating for 150 Metri-Pack Series
- 30 Amps continuous maximum current rating for 280 Metri-Pack Series
- Low energy, low voltage capability
- Small overall dimensions
- Bolt assist connector to connector lock
- -40°C to 125°C temperature range

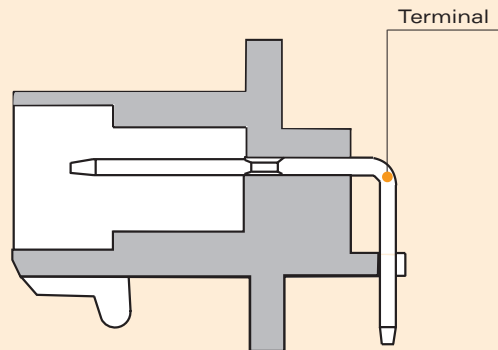
METRI-PACK
HEADER



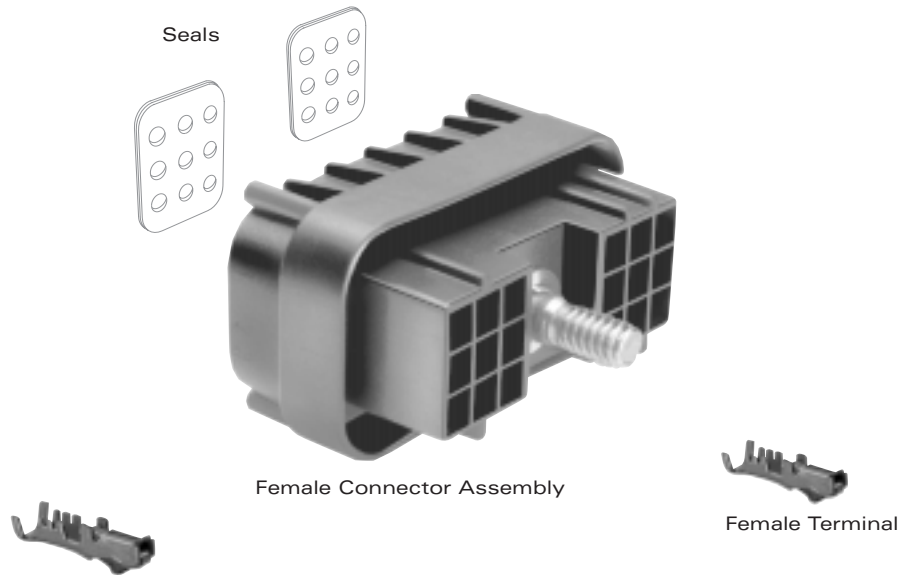
Cross Sectional View



Female Connector Assembly



Male Header Connector Assembly



150 PULL-TO-SEAT FEMALE TERMINALS SEALED

Part #	Cable Range (mm ²)	Material	Plating
12089290	0.50-0.35	Silicon Bronze	Tin
12103881	1.0-0.80	Silicon Bronze	Tin
12110236	0.80	Beryllium Copper	Tin

150 METRI-PACK FEMALE CONNECTOR ASSEMBLIES SEALED*

# Cavities	Connector Assembly	Color	Material
18way: 18	12040921	Black	PBT 30% GF
30way: 30	12048455	Dk. Gray	PET 30% GF
48way: 18	12040921	Black	PBT 30% GF
: 30	12034398	Black	PET 30% GF
60way: 30	12034398	Black	PET 30% GF
: 30	12034400	Black	PET 30% GF

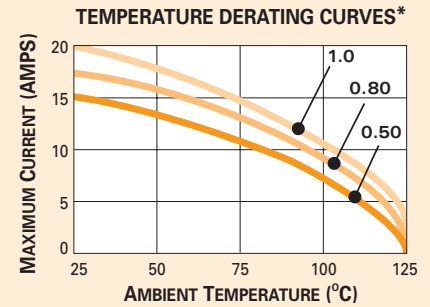
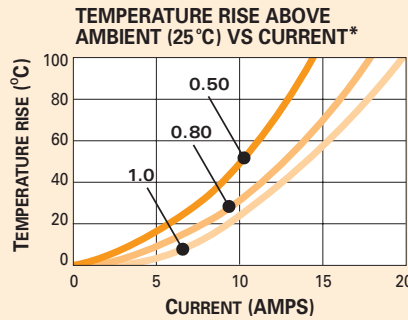
*Multiple cable seal is included in connector assembly.



Sealed System Application Information

CABLE RANGE (mm²): 0.35-1.0
CURRENT RANGE (AMPS): 0-14
TEMP RANGE °C: -40 to 125
RESISTANCE: <10mΩ@20mV
VOLTAGE DROP: <10mV/amp
CENTERLINE SPACING (mm):
 **Connector Dependent**
BLADE WIDTH (mm): 1.5

150 SERIES TERMINALS-Tin Plated



*The test data are based on single circuits in free space and were generated using a "Lumped Resistance" model. This model does not account for all of the variables that would be present in an actual application. For actual product performance, contact your regional support representative at the number listed below.



Male Header Connector Assembly

12065266



12034413



150 METRI-PACK MALE HEADER CONNECTOR ASSEMBLIES SEALED

Pins	Connector	Color	Material
18	12040923	Black	PET 30% GF
30	12048453	Dk. Gray	PET 30% GF
48	12052130	Black	PET 30% GF
60	12034396	Black	PET 30% GF

Terminals Included in Male Header.

CABLE SEAL PLUGS

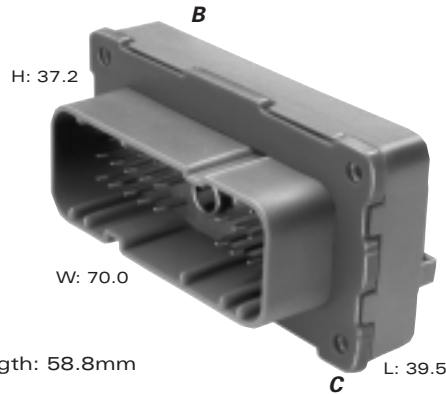
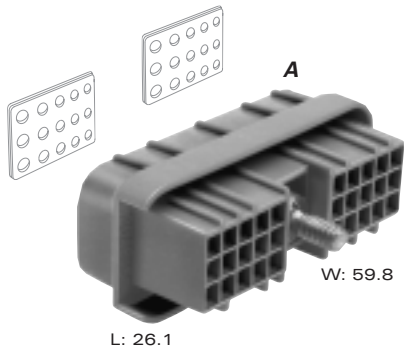
Part #	Cable Seal Hole Diameter (mm)	Material	Color	Type
12065266	1.85-1.65	PA6	Md. Gray	Machine Insertion
12034413	1.85-1.10	PA66 HS IM	Black	Hand Insertion

SECTION NOTES:

Contact your regional support representative at the number listed below.

- Due to rigid tolerances of connector cavities, it is critical to meet all crimp dimensions as specified.
- Overall mated length varies with bolt measurement.
- Inner connector seal included in Male Header Connector Assemblies where applicable.

<http://delphi.com/products/connect>

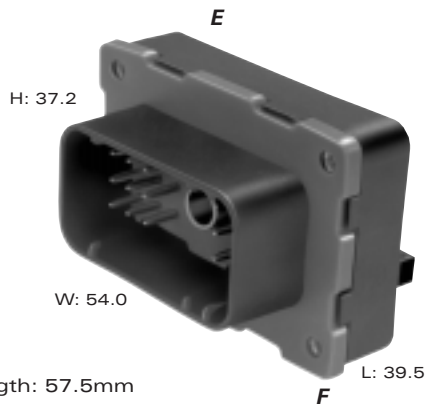
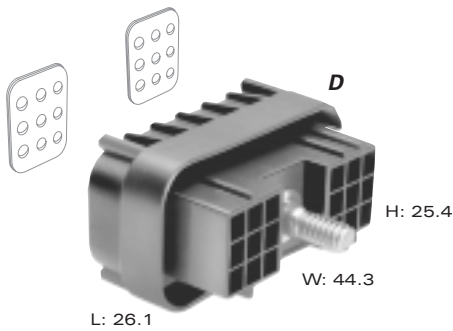


Total Mated Length: 58.8mm

A PART NO: 12048455
 DESCRIPTION: Connector Assembly 30F
 SIZE: 26.1L x 25.1H x 59.8W
 COLOR: Dk. Gray
 MATERIAL: PET 30% GF
 TERMINALS: See Page 154, 150 Pull-To-Seat Female
 PLUGS: See Page 155, Cable Seal Plugs

B PART NO: 12048453
 DESCRIPTION: Connector Assembly 30M
 SIZE: 39.5L x 37.2H x 70.0W
 COLOR: Dk. Gray
 MATERIAL: PET 30% GF
 NOTE: Shipping cover 12040542 included.

C PART NO: 12048456
 DESCRIPTION: Flange Seal
 COLOR: Green
 MATERIAL: Silicone



Total Mated Length: 57.5mm

D PART NO: 12040921
 DESCRIPTION: Connector Assembly 18F
 SIZE: 26.1L x 25.4H x 44.3W
 COLOR: Black
 MATERIAL: PBT 30% GF
 TERMINALS: See Page 154, 150 Pull-To-Seat Female
 PLUGS: See Page 155, Cable Seal Plugs

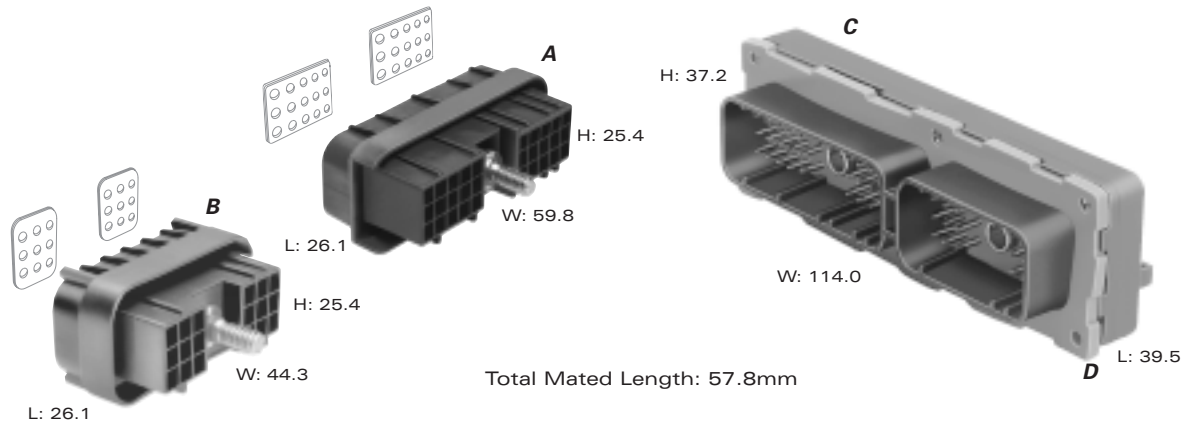
E PART NO: 12040923
 DESCRIPTION: Connector Assembly 18M
 SIZE: 39.5L x 37.2H x 54.0W
 COLOR: Black
 MATERIAL: PET 30% GF
 NOTE: Shipping cover 12040940 included.

F PART NO: 12040938
 DESCRIPTION: Flange Seal
 COLOR: Green
 MATERIAL: Silicone

<http://delphi.com/products/connect>

150 HEADER

Metri-Pack Series

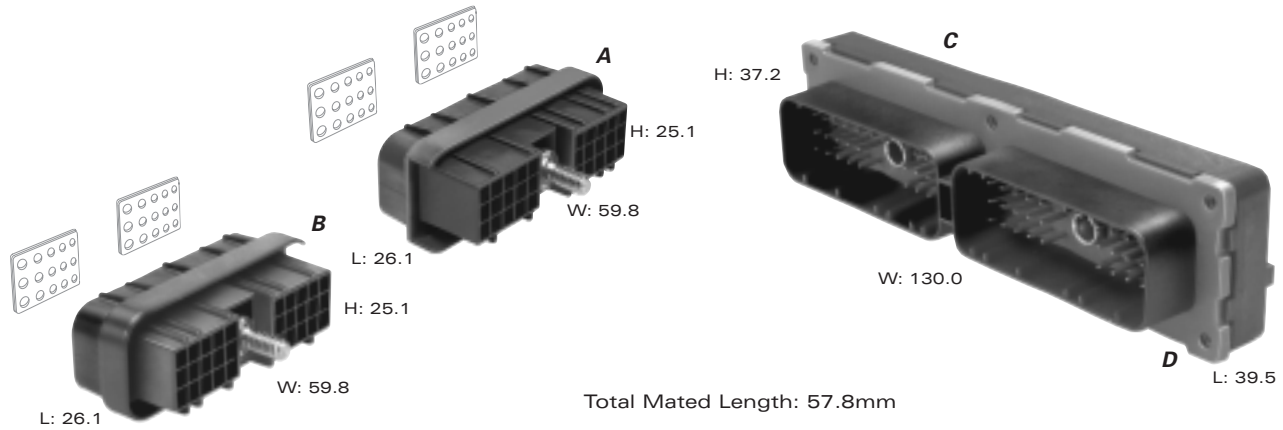


A PART NO: **12034398**
DESCRIPTION: Connector Assembly 30F
SIZE: 26.1L x 25.4H x 59.8W
COLOR: Black
MATERIAL: PET 30% GF
TERMINALS: See Page 154, 150 Pull-To-Seat Female
PLUGS: See Page 155, Cable Seal Plugs

B PART NO: **12040921**
DESCRIPTION: Connector Assembly 18F
SIZE: 26.1L x 25.4H x 44.3W
COLOR: Black
MATERIAL: PBT 30% GF
TERMINALS: See Page 154, 150 Pull-To-Seat Female
PLUGS: See Page 155, Cable Seal Plugs

C PART NO: **12052130**
DESCRIPTION: Connector Assembly 48M
SIZE: 39.5L x 37.2H x 114.0W
COLOR: Black
MATERIAL: PET 30% GF
NOTE: Shipping covers 12040940 and 12040542 included.

D PART NO: **12052131**
DESCRIPTION: Flange Seal
COLOR: Green
MATERIAL: Silicone



A PART NO: 12034398
 DESCRIPTION: Connector Assembly 30F
 SIZE: 26.1L x 25.1H x 59.8W
 COLOR: Black
 MATERIAL: PET 30% GF
 TERMINALS: See Page 154, 150 Pull-To-Seat Female
 PLUGS: See Page 155, Cable Seal Plugs

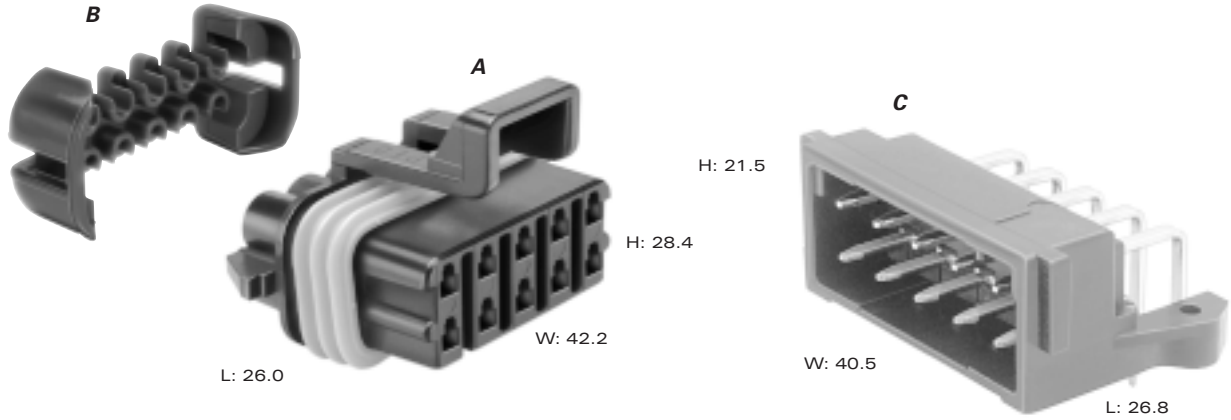
C PART NO: 12034396
 DESCRIPTION: Connector Assembly 60M
 SIZE: 39.5L x 37.2H x 130.0W
 COLOR: Black
 MATERIAL: PET 30% GF
 NOTE: Shipping cover 12040542 (2 Req'd.) included

B PART NO: 12034400
 DESCRIPTION: Connector Assembly 30F
 SIZE: 26.1L x 25.1H x 59.8W
 COLOR: Black
 MATERIAL: PET 30% GF
 TERMINALS: See Page 154, 150 Pull-To-Seat Female
 PLUGS: See Page 155, Cable Seal Plugs

D PART NO: 12040780
 DESCRIPTION: Flange Seal
 COLOR: Green
 MATERIAL: Silicone

150 HEADER

Metri-Pack Series



Total Mated Length: 46.7mm

A PART NO: 12065425
 DESCRIPTION: Connector Assembly 10F
 SIZE: 26.0L x 28.4H x 42.2W
 COLOR: Black
 MATERIAL: PA66 HS IM
 TERMINALS: See below, 150 Female Push to Seat
 SEALS/PLUGS: See below, 150 Metri-Pack

C PART NO: 12160446
 DESCRIPTION: Connector Assembly 10M
 SIZE: 26.8L x 21.5H x 40.5W
 COLOR: Black
 MATERIAL: PBT 30% GF
 NOTE: Sealing Shroud and Locking Feature for Connector Assembly must be designed into mating device housing.

B PART NO: 12124264
 DESCRIPTION: TPA
 COLOR: Gray
 MATERIAL: PA6



150 FEMALE TERMINALS SEALED

Part #	Cable Range (mm ²)	Material	Plating
12048074	1.0-0.80	Silicon Bronze	Tin
12084200	0.50-0.35	Silicon Bronze	Tin
12160223	1.0-0.80	Beryllium Copper	Silver/Nickel
12160222	0.50-0.35	Beryllium Copper	Silver/Nickel



150 METRI-PACK CAVITY PLUG*

Part #	Cavity Inside Diameter	Material	Color
12059168	5.2mm	Silicone	Dk. Red

*Cavity plugs seal unused female and male cavities.



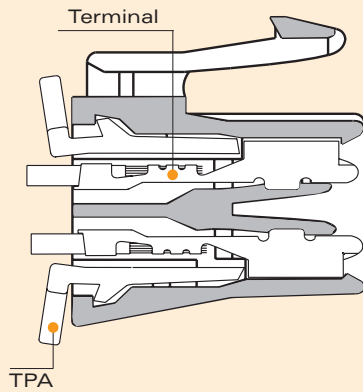
150 METRI-PACK CABLE SEALS

Reel Part #	Loose Part #	Cable Diameter	Material	Color
12052924	12048086	2.85-2.03	Silicone	Dk. Red
12089442	12089678	2.15-1.60	Silicone	White
12052925	12048087	1.70-1.29	Silicone	Blue
12124669	12084193	1.009-0.995	Silicone	Tan

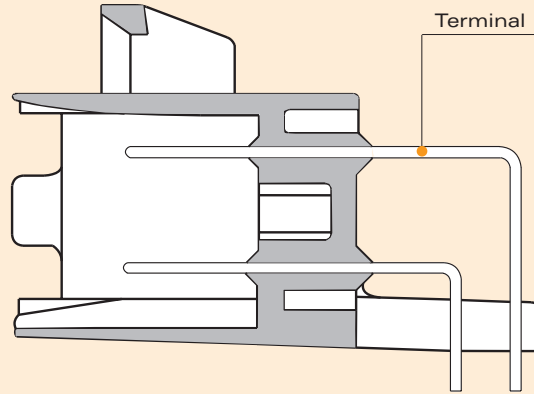
<http://delphi.com/products/connect>



Cross Sectional View



Female Connector



Male Header Connector Assembly

TPA
(Terminal Position Assurance)

CPA
(Connector Position Assurance)



280 TANGLESS FEMALE TERMINALS UNSEALED

Part #	Cable Range (mm ²)	Material	Plating
12129425	5.0	Tin Brass	Tin
12129663	3.0	Tin Brass	Tin
12129424	2.0-1.0	Tin Brass	Tin
12110842*	3.0-2.0	Tin Brass	Tin
12110844*	1.0-0.80	Tin Brass	Tin
12110843*	0.50-0.35	Tin Brass	Tin
12129061*	0.35 (2 Req'd.)	Tin Brass	Tin

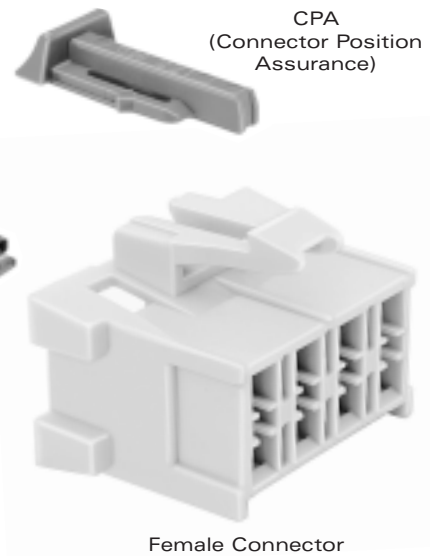
*Thin Stock—Electrical current restrictions apply, contact your regional support representative at the number listed below.

280 FEMALE TERMINALS UNSEALED

Part #	Cable Range (mm ²)	Material	Plating
12015858	5.0	Tin Brass	Tin
12129494	3.0-2.0	Tin Brass	Tin
12034046	1.0-0.80	Tin Brass	Tin
12052217	0.50-0.35	Tin Brass	Tin
12162597*	3.0-2.0	Tin Brass	Tin
12162595*	1.0-0.80	Tin Brass	Tin
12162596*	0.50-0.35	Tin Brass	Tin

*Thin Stock—Electrical current restrictions apply, contact your regional support representative at the number listed below.

Female Terminal



Female Connector

280 METRI-PACK FEMALE CONNECTOR UNSEALED

# Cavities	Connector	Color	Material	TPA
4	12052856	Black	PA66 HS IM	15324456



280 METRI-PACK FLEXLOCK FEMALE CONNECTOR UNSEALED

# Cavities	Connector	Color	Material	TPA
8	15357040	Lt. Gray	PA66 HS IM	15324332

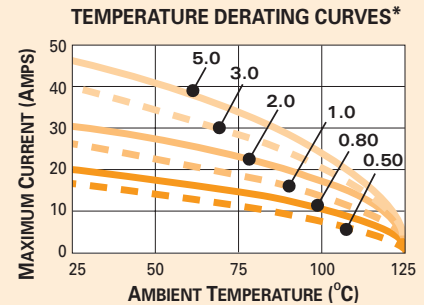
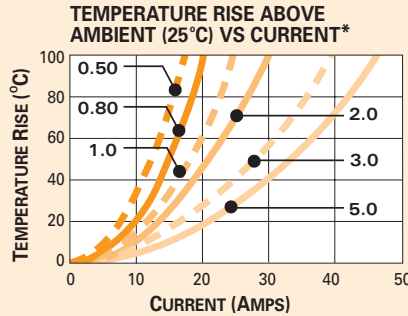
<http://delphi.com/products/connect>



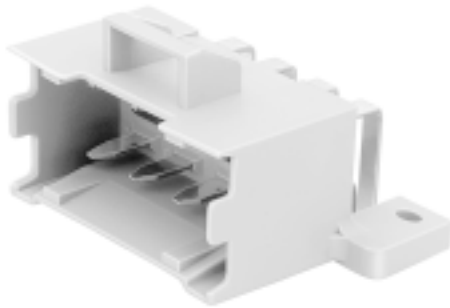
Unsealed System Application Information

CABLE RANGE (mm²): 0.35-5.0
CURRENT RANGE (AMPS): 0-30
TEMP RANGE °C: -40 to 125
RESISTANCE: <10mΩ@20mV
VOLTAGE DROP: <3.0mV/amp
CENTERLINE SPACING (mm): 6.9
BLADE WIDTH (mm): 2.8

280 SERIES TERMINALS - Tin Plated



*The test data are based on single circuits in free space and were generated using a "Lumped Resistance" model. This model does not account for all of the variables that would be present in an actual application. For actual product performance, contact your regional support representative at the number listed below.



Male Header Connector Assembly

280 METRI-PACK MALE HEADER CONNECTOR ASSEMBLY UNSEALED

Pins	Connector	Color	Material
4	12110440	Black	PA66 HS IM

TANGLESS

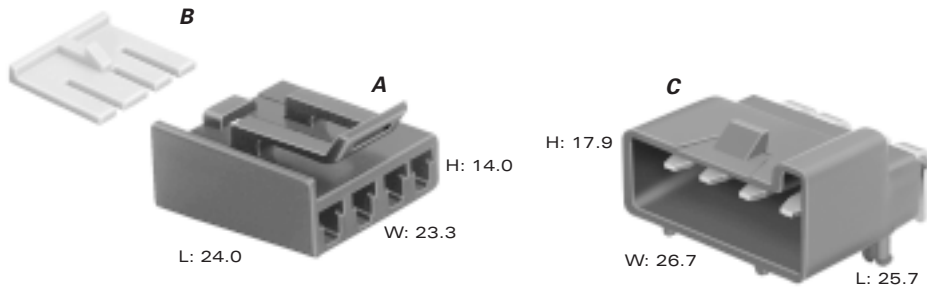
280 METRI-PACK MALE HEADER CONNECTOR ASSEMBLY UNSEALED

Pins	Connector	Color	Material
8	12146724	Gray	PBT 30% GF

SECTION NOTES:

- Contact your regional support representative at the number listed below.
- Due to rigid tolerances of connector cavities, it is critical to meet all crimp dimensions as specified.

<http://delphi.com/products/connect>

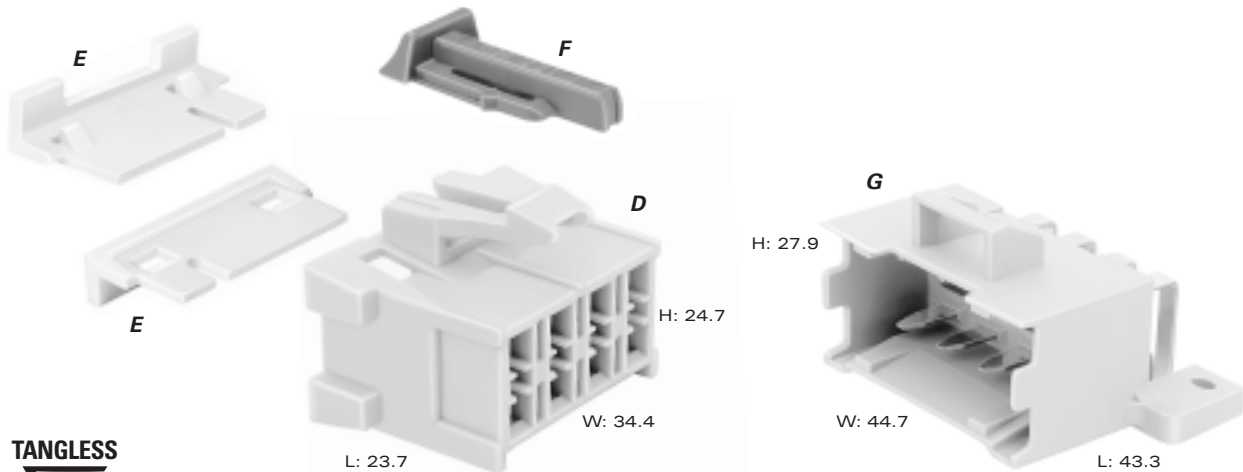


Total Mated Length: 40.4mm

A PART NO: **12052856**
 DESCRIPTION: Connector 4F
 SIZE: 24.0L x 14.0H x 23.3W
 COLOR: Black
 MATERIAL: PA66 HS IM
 TERMINALS: See Page 160, 280 Female

C PART NO: **12110440**
 DESCRIPTION: Connector 4M
 SIZE: 25.7L x 17.9H x 26.7W
 COLOR: Black
 MATERIAL: PA66 HS IM

B PART NO: **15324456**
 DESCRIPTION: TPA
 COLOR: Lt. Gray
 MATERIAL: PA6



Total Mated Length: 50.8mm



D PART NO: **15357040 (Lt. Gray)**
12129088 (Black)
 DESCRIPTION: Connector 8F
 SIZE: 23.7L x 24.7H x 34.4W
 MATERIAL: PA66 HS IM
 TERMINALS: See Page 160, 280 Tangless Female

G PART NO: **12146724 (Gray)**
12146735 (Black)
 DESCRIPTION: Connector 8M
 SIZE: 43.3L x 27.9H x 44.7W
 MATERIAL: PBT 30% GF

E PART NO: **15324332**
 DESCRIPTION: TPA
 NUMBER REQ: 2
 COLOR: Natural
 MATERIAL: PA66 HS IM

F PART NO: **12052834**
 DESCRIPTION: CPA
 COLOR: Green
 MATERIAL: PP

Micro-Pack Series

100 In-Line, 100 Header & 100W Header

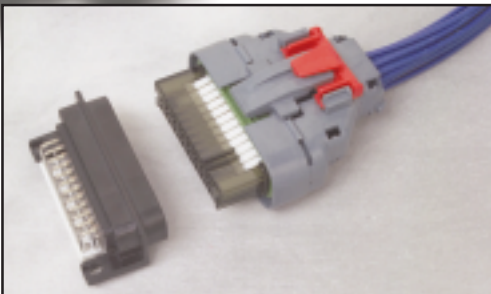
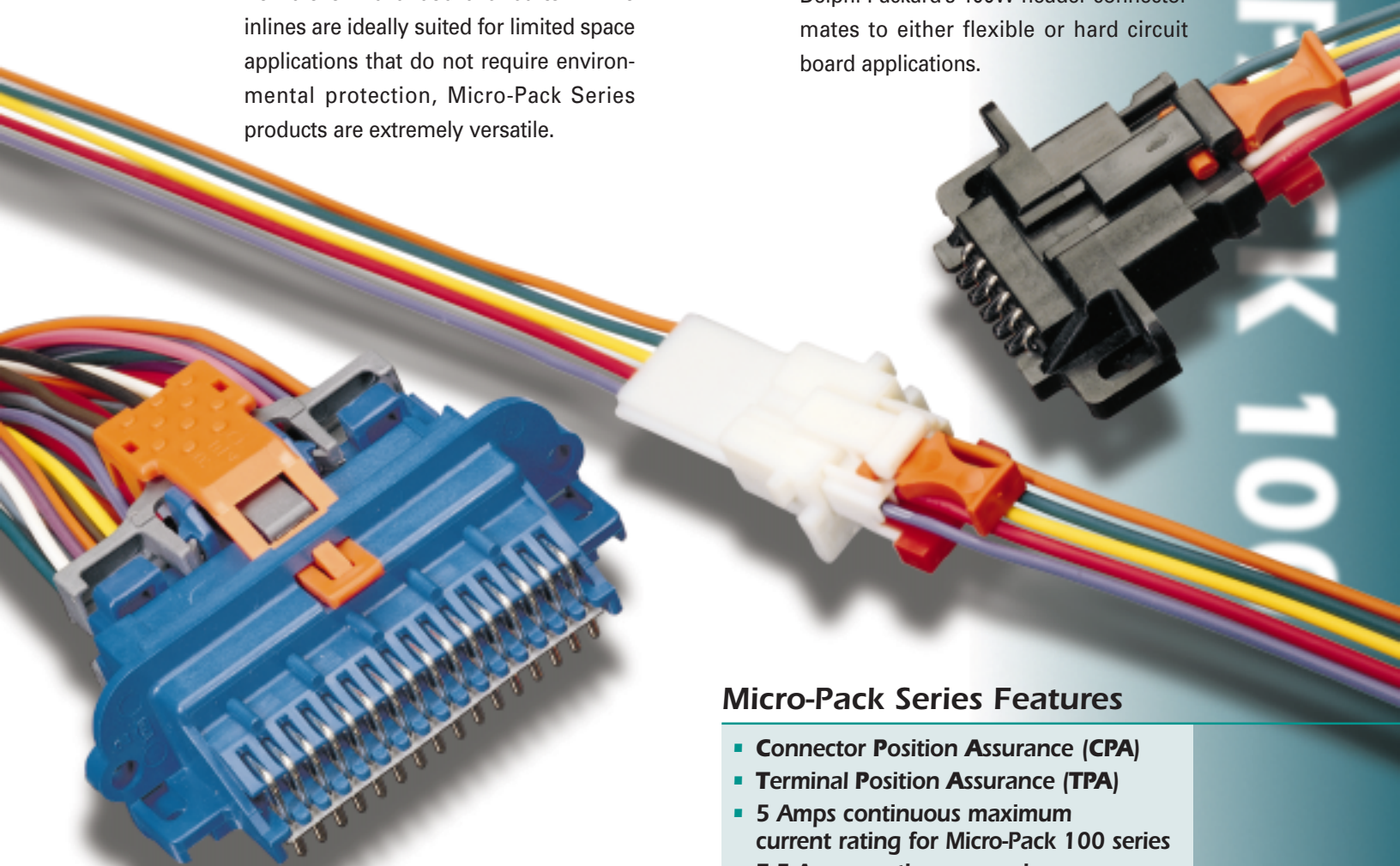


Available in electronic header and in-line connections, Micro-Pack Series connector is an excellent low energy system designed to meet the needs of high density applications.

Header connectors are available in straight, 90°, and 180° mounting to either flexible or hard board circuits. While inlines are ideally suited for limited space applications that do not require environmental protection, Micro-Pack Series products are extremely versatile.



The 100W series is available in both electronic header and in-line connection systems. This Micro-Pack series connection is an excellent low energy system designed to meet the needs of high density applications, requiring protection from environmental hazards. Delphi Packard's 100W header connector mates to either flexible or hard circuit board applications.

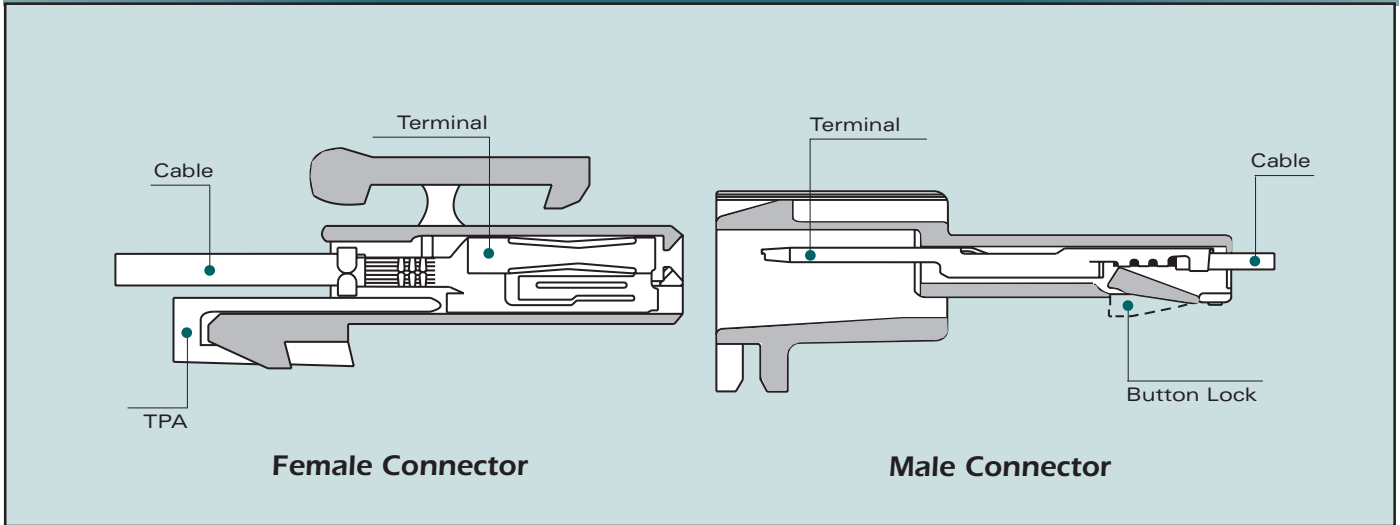


Micro-Pack Series Features

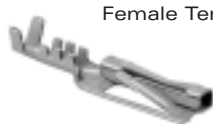
- Connector Position Assurance (CPA)
- Terminal Position Assurance (TPA)
- 5 Amps continuous maximum current rating for Micro-Pack 100 series
- 7.5 Amps continuous maximum current rating for Micro-Pack 100W series
- Small overall dimensions
- High circuit density
- Low energy, low voltage capability
- -40°C to 85°C temperature range for Micro-Pack 100 series
- -40°C to 125°C temperature range for Micro-Pack 100W series



Cross Sectional View



TPA
(Terminal Position Assurance)



Female Terminal

CPA
(Connector Position Assurance)



Female Connector



MICRO-PACK FEMALE TERMINALS UNSEALED

Part #	Cable Range (mm ²)	Material	Plating
12146448	1.0-0.80	Copper Nickel Alloy	Tin
12146447	0.50-0.35	Copper Nickel Alloy	Tin

MICRO-PACK FEMALE CONNECTORS UNSEALED

# Cavities	Connector	Color	Material	TPA
4	12066189	Natural	PBT	12059160
5	12064982	Black	PBT	12064987
7	12065873	Black	PBT	12065943
9	12064980	Black	PBT	12064986
10	12047531	Black	PA66 HS IM	Button Lock

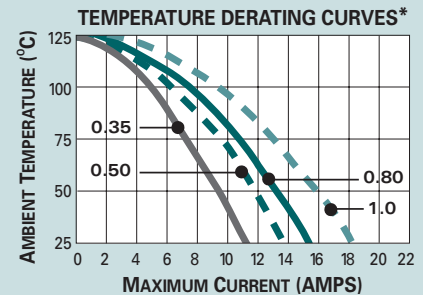
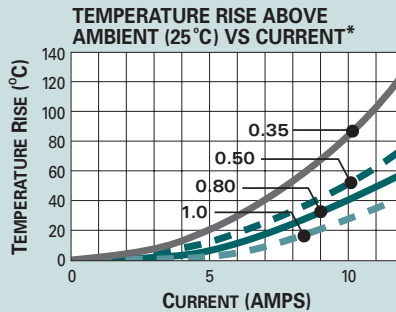
<http://delphi.com/products/connect>



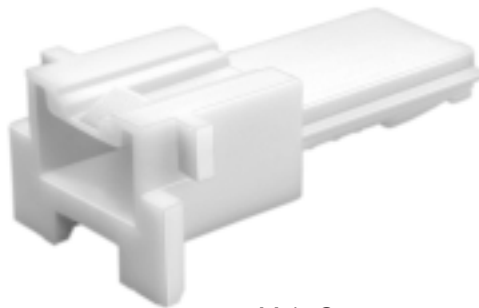
Unsealed System Application Information

CABLE RANGE (mm²): 0.35-1.0
CURRENT RANGE (AMPS): 0-5
TEMP RANGE °C: -40 to 85
RESISTANCE: <10mΩ@20mV
VOLTAGE DROP: <10.0mV/amp
CENTERLINE SPACING (mm): 3.0
TERMINAL DIAMETER (mm): 1.0

MICRO-PACK 100 TERMINALS-Tin Plated



*The test data are based on single circuits in free space and were generated using a "Lumped Resistance" model. This model does not account for all of the variables that would be present in an actual application. For actual product performance, contact your regional support representative at the number listed below.



Male Connector



Male Terminal



MICRO-PACK MALE CONNECTORS UNSEALED

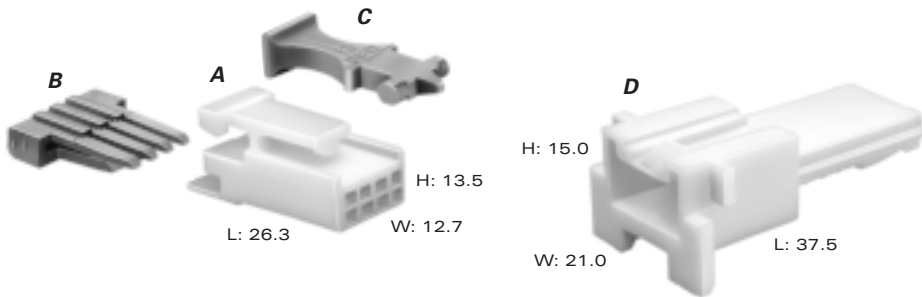
# Cavities	Connector	Color	Material	TPA
4	12040903	Natural	PBT	Button Lock
5	12047829	Black	PBT	Button Lock
7	12065874	Black	PBT	Button Lock
9	12040905	Black	PBT	Button Lock
10	12047814	Black	PBT	Button Lock

MICRO-PACK MALE TERMINALS UNSEALED

Part #	Cable Range (mm ²)	Material	Plating
12084449	0.80-0.50	Tin Brass	Tin
12040902	0.50-0.35	Tin Brass	Tin

SECTION NOTES:

- Contact your regional support representative at the number listed below.
- Due to rigid tolerances of connector cavities, it is critical to meet all crimp dimensions as specified.



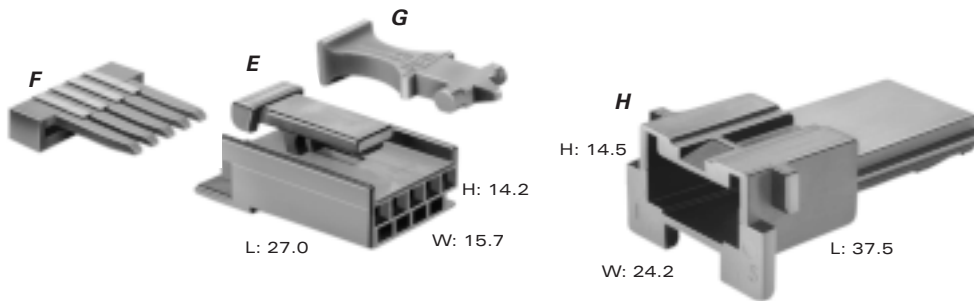
Total Mated Length: 50.9mm

A PART NO: 12066189
 DESCRIPTION: Connector 4F
 SIZE: 26.3L x 13.5H x 12.7W
 COLOR: Natural
 MATERIAL: PBT
 TERMINALS: See Page 164

D PART NO: 12040903
 DESCRIPTION: Connector 4M - with Button Lock
 SIZE: 37.5L x 15.0H x 21.0W
 COLOR: Natural
 MATERIAL: PBT
 TERMINALS: See Page 165

B PART NO: 12059160
 DESCRIPTION: TPA
 COLOR: Red
 MATERIAL: PA6

C PART NO: 12064989
 DESCRIPTION: CPA
 COLOR: Orange
 MATERIAL: PP



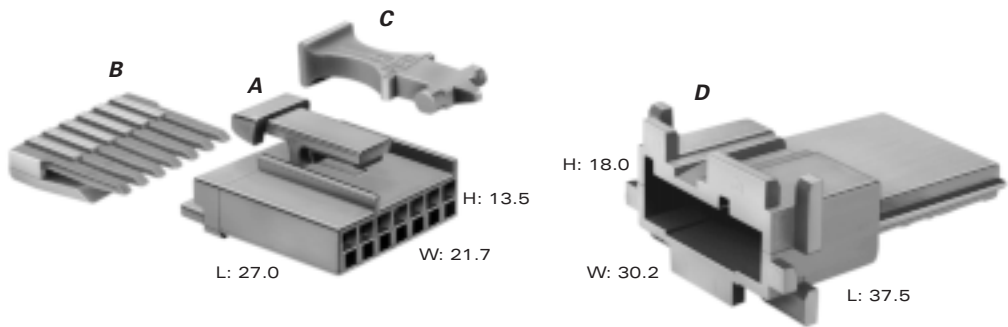
Total Mated Length: 53.0mm

**E PART NO: 12064982 (Black)
 12064983 (Natural)**
 DESCRIPTION: Connector 5F
 SIZE: 27.0L x 14.2H x 15.7W
 MATERIAL: PBT
 TERMINALS: See Page 164

**H PART NO: 12047829 (Black)
 12047815 (Natural)**
 DESCRIPTION: Connector 5M - with Button Lock
 SIZE: 37.5L x 14.5H x 24.2W
 MATERIAL: PBT
 TERMINALS: See Page 165

F PART NO: 12064987
 DESCRIPTION: TPA
 COLOR: Red
 MATERIAL: PA6

G PART NO: 12064989
 DESCRIPTION: CPA
 COLOR: Orange
 MATERIAL: PP



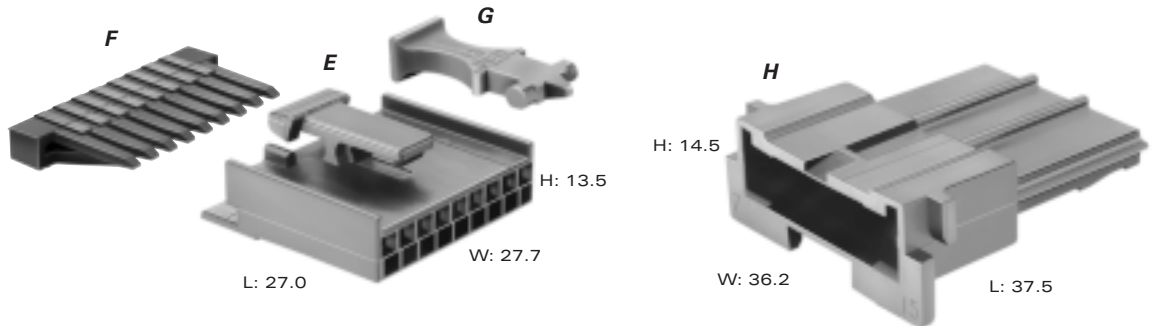
Total Mated Length: 52.0mm

A PART NO: 12065873
 DESCRIPTION: Connector 7F
 SIZE: 27.0L x 13.5H x 21.7W
 COLOR: Black
 MATERIAL: PBT
 TERMINALS: See Page 164

D PART NO: 12065874
 DESCRIPTION: Connector 7M - with Button Lock
 SIZE: 37.5L x 18.0H x 30.2W
 COLOR: Black
 MATERIAL: PBT
 TERMINALS: See Page 165

B PART NO: 12065943
 DESCRIPTION: TPA
 COLOR: Red
 MATERIAL: PA6

C PART NO: 12064989
 DESCRIPTION: CPA
 COLOR: Orange
 MATERIAL: PP



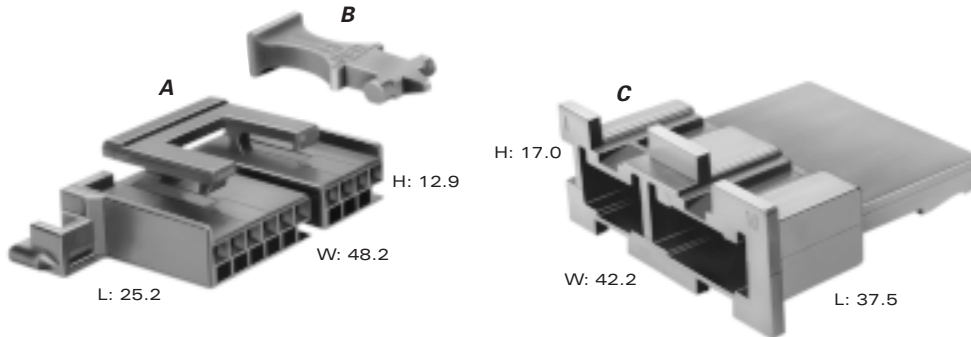
Total Mated Length: 52.0mm

E PART NO: 12064980
 DESCRIPTION: Connector 9F
 SIZE: 27.0L x 13.5H x 27.7W
 COLOR: Black
 MATERIAL: PBT
 TERMINALS: See Page 164

H PART NO: 12040905
 DESCRIPTION: Connector 9M - with Button Lock
 SIZE: 37.5L x 14.5H x 36.2W
 COLOR: Black
 MATERIAL: PBT
 TERMINALS: See Page 165

F PART NO: 12064986
 DESCRIPTION: TPA
 COLOR: Red
 MATERIAL: PA6

G PART NO: 12064989
 DESCRIPTION: CPA
 COLOR: Orange
 MATERIAL: PP



Total Mated Length: 48.0mm

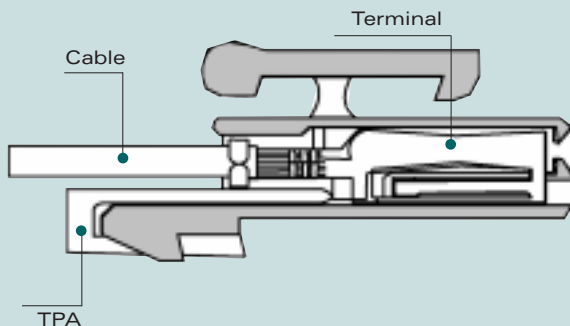
A PART NO: 12047531
 DESCRIPTION: Connector 10F - with Button Lock
 SIZE: 25.2L x 12.9H x 48.2W
 COLOR: Black
 MATERIAL: PA66 HS IM
 TERMINALS: See Page 164

C PART NO: 12047814
 DESCRIPTION: Connector 10M - with Button Lock
 SIZE: 37.5L x 17.0H x 42.2W
 COLOR: Black
 MATERIAL: PBT
 TERMINALS: See Page 165

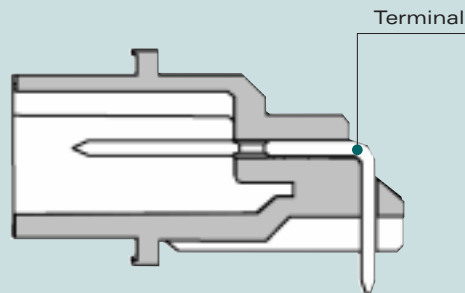
B PART NO: 12064989
 DESCRIPTION: CPA
 COLOR: Orange
 MATERIAL: PP



Cross Sectional View



Female Connector



Male Header Connector Assembly

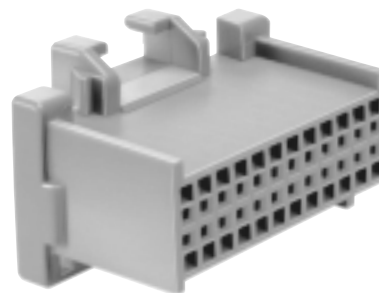
TPA-A
(Terminal Position Assurance)



TPA-B
(Terminal Position Assurance)



Female Terminal



Female Connector

MICRO-PACK FEMALE TERMINALS UNSEALED

Part #	Cable Range (mm ²)	Material	Plating
12146448	1.0-0.80	Copper Nickel Alloy	Tin
12146447	0.50-0.35	Copper Nickel Alloy	Tin

Nickel/Gold plating available.

MICRO-PACK FEMALE CONNECTORS UNSEALED

# Cavities	Connector	Color	Material	TPA-A	TPA-B
6way: 6	12064993	Black	PBT	12066170	-
10way: 4	12066189	Natural	PBT	12059160	-
: 6	12064993	Black	PBT	12066170	-
12way: 12	12064799	Black	PBT 30% GF	12064822	12064823
13way: 4	12066189	Natural	PBT	12059160	-
: 9	12066130	Natural	PBT	12064986	-
15way: 6	12064978	Gray	PBT	12066170	-
: 9	12064980	Black	PBT	12064986	-
16way: 16	12110259	Green	PBT 30% GF	12048344	12048345
20way: 10	12047531	Black	PA66 HS IM	Button Lock	-
: 10	12065785	Gray	PBT	Button Lock	-
24way: 24	12110088	Lt. Gray	PBT 30% GF	12047900	12047901
32way: 32	12110113	Dk. Red	PBT 30% GF	12045889	12045890

# Cavities	Connector	Color	Material	TPA-A	TPA-B
32way: 32	12110207	Lt. Blue	PBT 30% GF	12045889	12045890
40way: 16	12084945	Gray	PBT 30% GF	12048344	12048345
: 24	12110088	Lt. Gray	PBT 30% GF	12047900	12047901
48way: 24	12110244	Pink	PBT 30% GF	12047900	12047901
: 24	12110206	Lt. Blue	PBT 30% GF	12047900	12047901
56way: 24	12110206	Lt. Blue	PBT 30% GF	12047900	12047901
: 32	12110207	Lt. Blue	PBT 30% GF	12045889	12045890
64way: 16	12084945	Gray	PBT 30% GF	12048344	12048345
: 24	12110088	Lt. Gray	PBT 30% GF	12047900	12047901
: 24	12110244	Pink	PBT 30% GF	12047900	12047901
Mixed					
32way: 8	15357040	Md. Gray	PA66 HS IM	15324332	-
: 24	12110088	Lt. Gray	PBT 30% GF	12047900	12047901

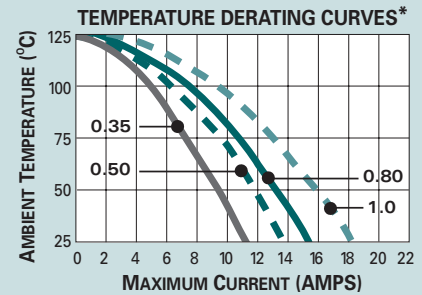
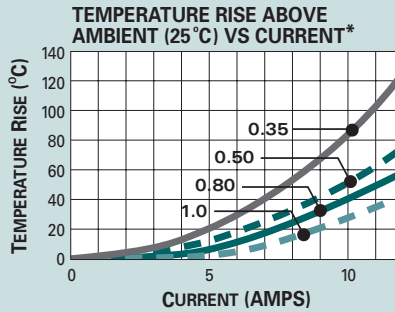
<http://delphi.com/products/connect>



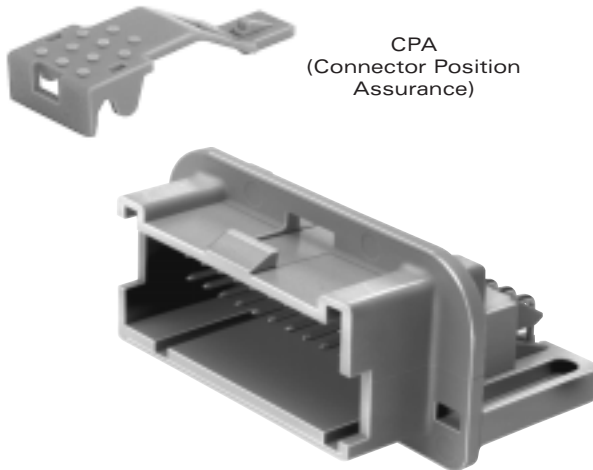
Unsealed System Application Information

CABLE RANGE (mm²): 0.35-1.0
 CURRENT RANGE (AMPS): 0-5
 TEMP RANGE °C: -40 to 85
 RESISTANCE: <10mΩ@20mV
 VOLTAGE DROP: <10.0mV/amp
 CENTERLINE SPACING (mm): 3.0
 TERMINAL DIAMETER (mm): 1.0

MICRO-PACK 100 TERMINALS-Tin Plated



*The test data are based on single circuits in free space and were generated using a "Lumped Resistance" model. This model does not account for all of the variables that would be present in an actual application. For actual product performance, contact your regional support representative at the number listed below.



CPA
(Connector Position Assurance)

Male Header Connector Assembly

SECTION NOTES:

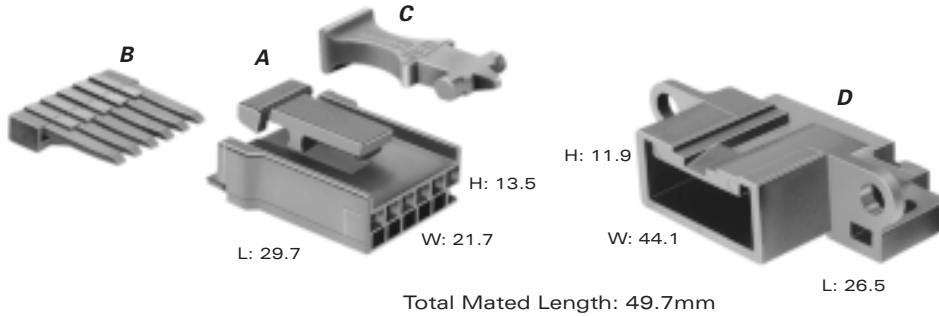
- Contact your regional support representative at the number listed below.
- Due to rigid tolerances of connector cavities, it is critical to meet all crimp dimensions as specified.
- Different color and connector indexing features are also available.
- Low profile and right angle TPAs also available.

MICRO-PACK MALE HEADER CONNECTOR ASSEMBLIES UNSEALED

# Pins	Connector	Color	Material	# Pins	Connector	Color	Material
6	12065870	Black	PBT 30% GF	32*	12129340	Dk. Red	PBT 30% GF
10	12065647	Black	PBT 30% GF	32*	12110323	Lt. Blue	PBT 30% GF
12	12064798	Black	PBT 30% GF	40	12191050	Gray	PBT 30% GF
13	12066307	Black	PBT 30% GF	48	12191140	Natural	PBT 30% GF
15	12059915	Black	PBT 30% GF	56*	12110209	Lt. Blue	PBT 30% GF
16	12110261	Green	PBT 30% GF	64	12160861	Black	PBT 30% GF
20*	12089852	Gray	PBT 30% GF	Mixed			
24	12092886	Gray	PBT 30% GF	32	15357042	Gray	PBT 30% GF

Terminals included in connector assembly.
* Gold plating available.

<http://delphi.com/products/connect>

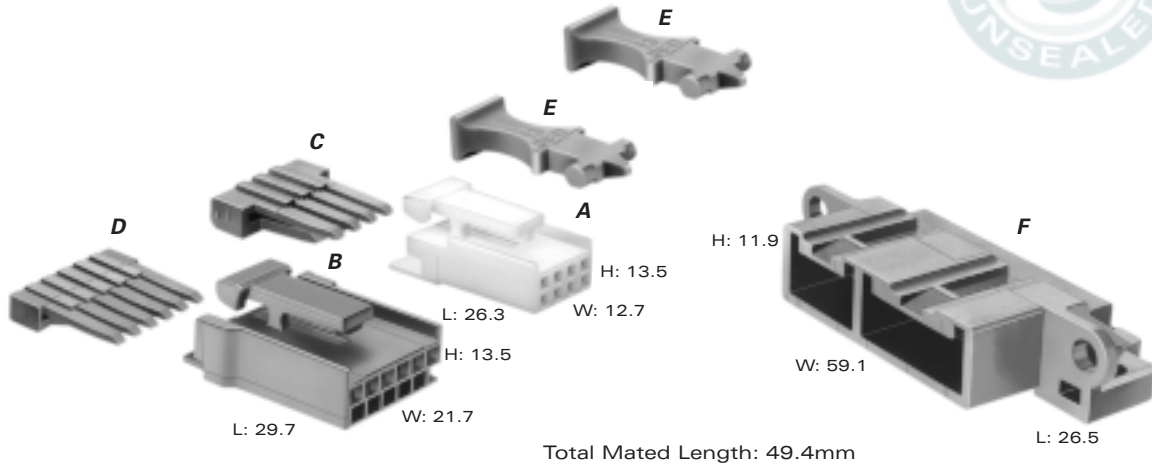


A PART NO: 12064993
 DESCRIPTION: Connector 6F
 SIZE: 29.7L x 13.5H x 21.7W
 COLOR: Black
 MATERIAL: PBT
 TERMINALS: See Page 170

D PART NO: 12065870
 DESCRIPTION: Connector Assembly 6M
 SIZE: 26.5L x 11.9H x 44.1W
 COLOR: Black
 MATERIAL: PBT 30% GF

B PART NO: 12066170
 DESCRIPTION: TPA
 COLOR: Red
 MATERIAL: PA6

C PART NO: 12064989
 DESCRIPTION: CPA
 COLOR: Orange
 MATERIAL: PP



A PART NO: 12066189
DESCRIPTION: Connector 4F
SIZE: 26.3L x 13.5H x 12.7W
COLOR: Natural
MATERIAL: PBT
TERMINALS: See Page 170

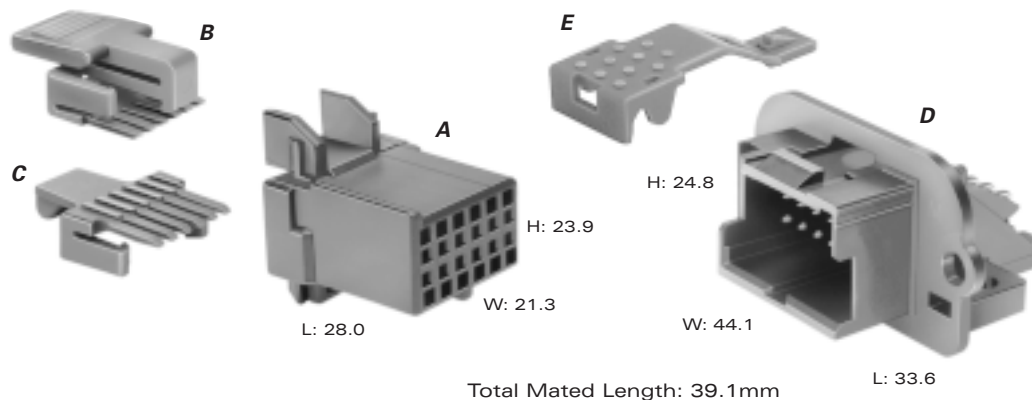
F PART NO: 12065647
DESCRIPTION: Connector Assembly 10M
SIZE: 26.5L x 11.9H x 59.1W
COLOR: Black
MATERIAL: PBT 30% GF

B PART NO: 12064993
DESCRIPTION: Connector 6F
SIZE: 29.7L x 13.5H x 21.7W
COLOR: Black
MATERIAL: PBT
TERMINALS: See Page 170

C PART NO: 12059160
DESCRIPTION: TPA
COLOR: Red
MATERIAL: PA6

D PART NO: 12066170
DESCRIPTION: TPA
COLOR: Red
MATERIAL: PA6

E PART NO: 12064989
DESCRIPTION: CPA
NUMBER REQ: 2
COLOR: Orange
MATERIAL: PP



Total Mated Length: 39.1mm

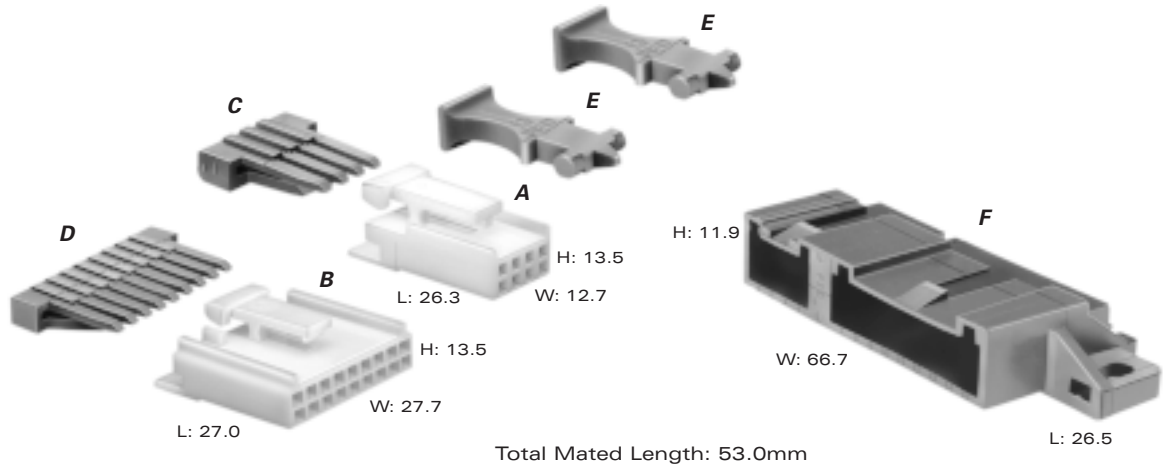
A PART NO: 12064799
 DESCRIPTION: Connector 12F
 SIZE: 28.0L x 23.9H x 21.3W
 COLOR: Black
 MATERIAL: PBT 30% GF
 TERMINALS: See Page 170

D PART NO: 12064798
 DESCRIPTION: Connector Assembly 12M
 SIZE: 33.6L x 24.8H x 44.1W
 COLOR: Black
 MATERIAL: PBT 30% GF

B PART NO: 12064822
 DESCRIPTION: TPA
 COLOR: Blue
 MATERIAL: PA6

E PART NO: 12077899
 DESCRIPTION: CPA
 COLOR: Orange
 MATERIAL: PP

C PART NO: 12064823
 DESCRIPTION: TPA
 COLOR: Blue
 MATERIAL: PA6



A PART NO: 12066189
DESCRIPTION: Connector 4F
SIZE: 26.3L x 13.5H x 12.7W
COLOR: Natural
MATERIAL: PBT
TERMINAL: See Page 170

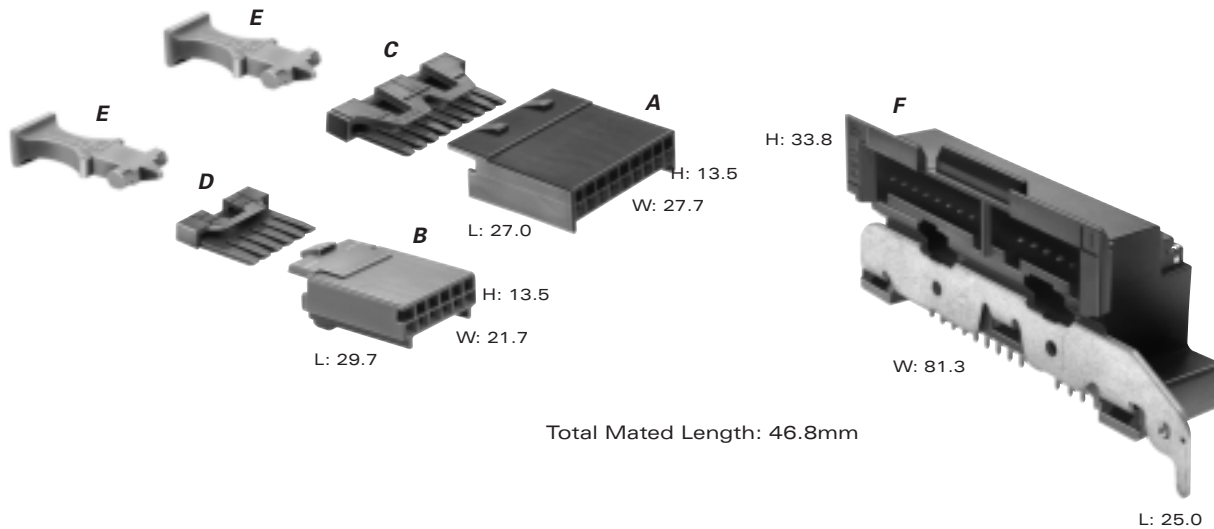
F PART NO: 12066307
DESCRIPTION: Connector Assembly 13M
SIZE: 26.5L x 11.9H x 66.7W
COLOR: Black
MATERIAL: PBT 30% GF

B PART NO: 12066130
DESCRIPTION: Connector 9F
SIZE: 27.0L x 13.5H x 27.7W
COLOR: Natural
MATERIAL: PBT
TERMINALS: See Page 170

C PART NO: 12059160
DESCRIPTION: TPA
COLOR: Natural
MATERIAL: PA6

D PART NO: 12064986
DESCRIPTION: TPA
COLOR: Red
MATERIAL: PA6

E PART NO: 12064989
DESCRIPTION: CPA
NUMBER REQ: 2
COLOR: Orange
MATERIAL: PP



A PART NO: 12064980
 DESCRIPTION: Connector 9F
 SIZE: 27.0L x 13.5H x 27.7W
 COLOR: Black
 MATERIAL: PBT
 TERMINALS: See Page 170

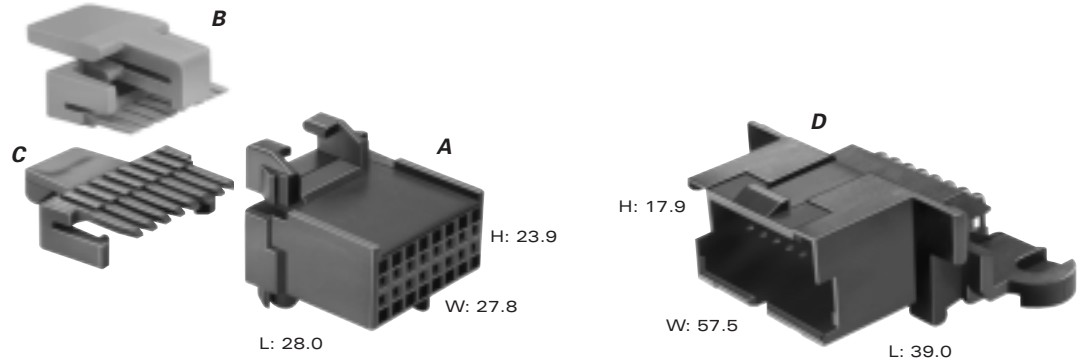
F PART NO: 12059915
 DESCRIPTION: Connector Assembly 15M
 SIZE: 25.0L x 33.8H x 81.3W
 COLOR: Black
 MATERIAL: PBT 30% GF

B PART NO: 12064978
 DESCRIPTION: Connector 6F
 SIZE: 29.7L x 13.5H x 21.7W
 COLOR: Gray
 MATERIAL: PBT
 TERMINALS: See Page 170

C PART NO: 12064986
 DESCRIPTION: TPA
 COLOR: Red
 MATERIAL: PA6

D PART NO: 12066170
 DESCRIPTION: TPA
 COLOR: Red
 MATERIAL: PA6

E PART NO: 12064989
 DESCRIPTION: CPA
 NUMBER REQ: 2
 COLOR: Orange
 MATERIAL: PP



A PART NO: 12110259* (Green)
12084944* (Black)
12084945* (Gray)

DESCRIPTION: Connector 16F
SIZE: 28.0L x 23.9H x 27.8W
MATERIAL: PBT 30% GF
TERMINALS: See Page 170
*DIFFERENT INDEXING FEATURE.

D PART NO: 12110261* (Green)
12084948* (Black)
12084949* (Gray)

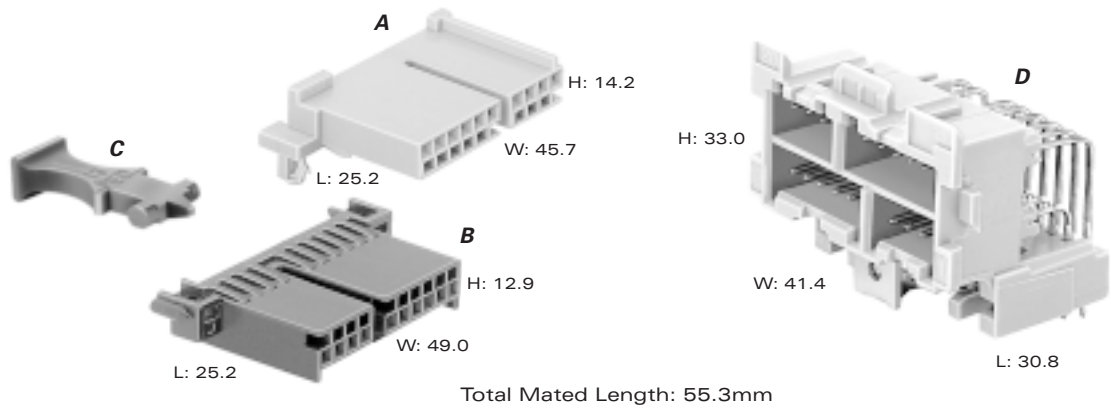
DESCRIPTION: Connector Assembly 16M
SIZE: 39.0L x 17.9H x 57.5W
MATERIAL: PBT 30% GF
*DIFFERENT INDEXING FEATURE.

B PART NO: 12048344

DESCRIPTION: TPA
COLOR: Blue
MATERIAL: PA6

C PART NO: 12048345

DESCRIPTION: TPA
COLOR: Blue
MATERIAL: PA6

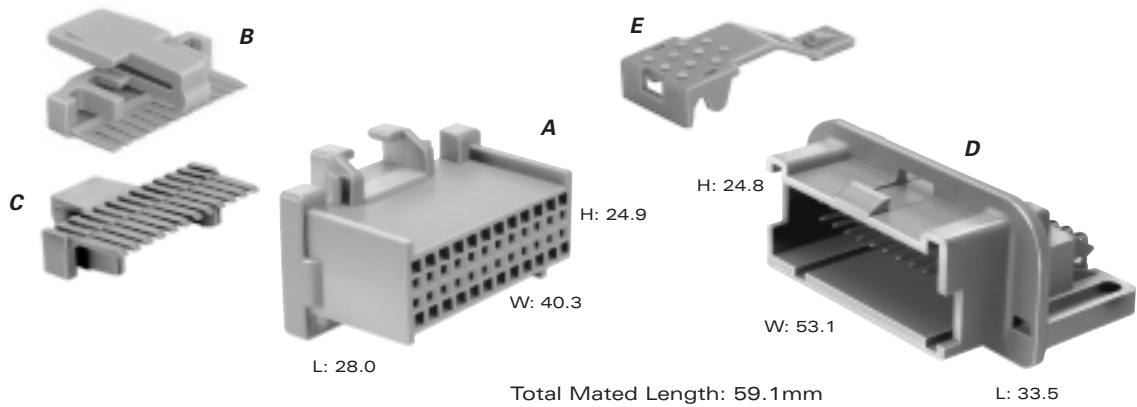


A PART NO: **12065785**
 DESCRIPTION: Connector 10F - with Button Lock
 SIZE: 25.2L x 14.2H x 45.7W
 COLOR: Gray
 MATERIAL: PBT
 TERMINALS: See Page 170

D PART NO: **12089852**
 DESCRIPTION: Connector Assembly 20M
 SIZE: 30.8L x 33.0H x 41.4W
 COLOR: Gray
 MATERIAL: PBT 30% GF

B PART NO: **12047531**
 DESCRIPTION: Connector 10F - with Button Lock
 SIZE: 25.2L x 12.9H x 49.0W
 COLOR: Black
 MATERIAL: PA66 HS IM
 TERMINALS: See Page 170

C PART NO: **12064989**
 DESCRIPTION: CPA
 COLOR: Orange
 MATERIAL: PP



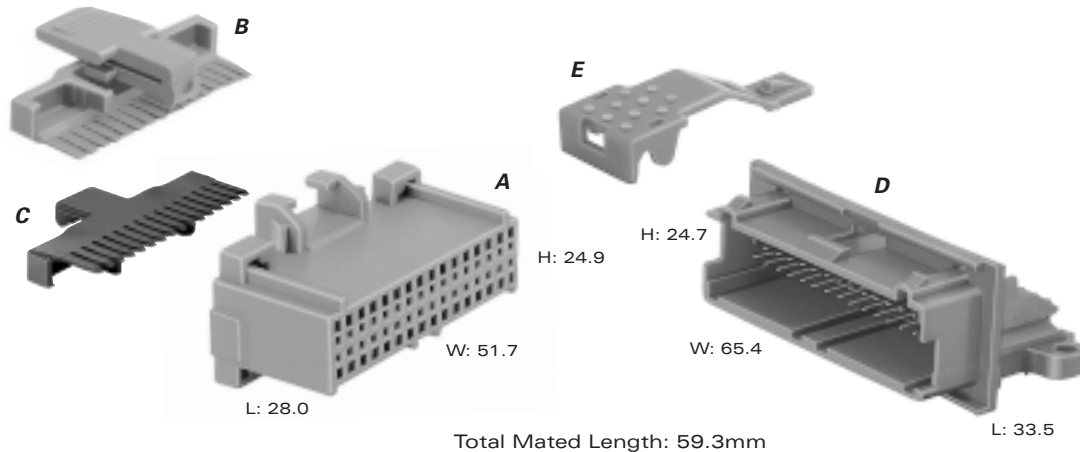
A PART NO: 12110088
DESCRIPTION: Connector 24F
SIZE: 28.0L x 24.9H x 40.3W
COLOR: Lt. Gray
MATERIAL: PBT 30% GF
TERMINALS: See Page 170

B PART NO: 12047900
DESCRIPTION: TPA
COLOR: Blue
MATERIAL: PA6

C PART NO: 12047901
DESCRIPTION: TPA
COLOR: Blue
MATERIAL: PA6

D PART NO: 12092886
DESCRIPTION: Connector Assembly 24M
SIZE: 33.5L x 24.8H x 53.1W
COLOR: Gray
MATERIAL: PBT 30% GF

E PART NO: 12077899
DESCRIPTION: CPA
COLOR: Orange
MATERIAL: PP



A PART NO: 12110113* (Dk. Red)
 12110114* (White)
 12110115* (Dk. Blue)
 12110112* (Tan)

DESCRIPTION: Connector 32F
 SIZE: 28.0L x 24.9H x 51.7W
 MATERIAL: PBT 30% GF
 TERMINALS: See Page 170
 *DIFFERENT INDEXING FEATURE.

D PART NO: 12129340* (Dk. Red)
 12129341* (Natural)
 12129342* (Dk. Blue)
 12129369* (Tan)

DESCRIPTION: Connector Assembly 32M
 SIZE: 33.5L x 24.7H x 65.4W
 MATERIAL: PBT 30% GF
 *DIFFERENT INDEXING FEATURE.

B PART NO: 12045889

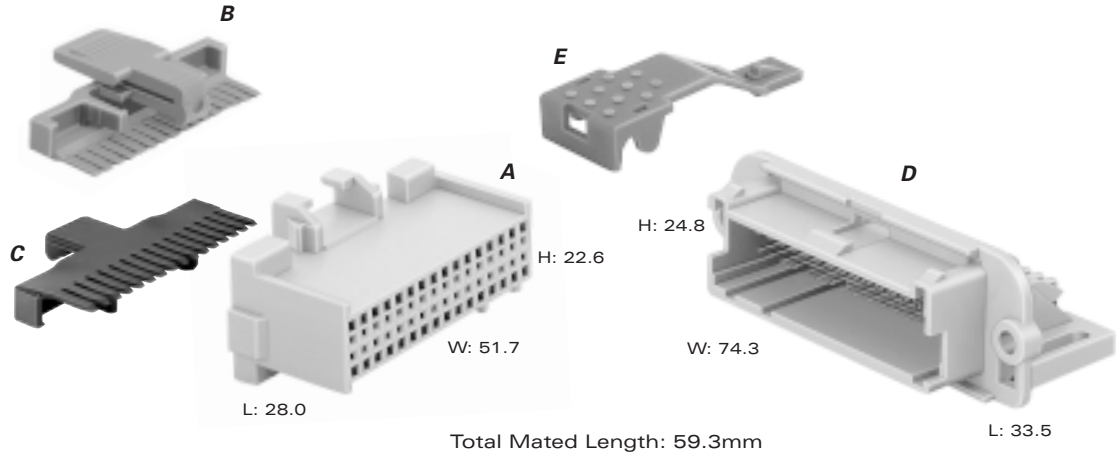
DESCRIPTION: TPA
 COLOR: Blue
 MATERIAL: PA6

E PART NO: 12077899

DESCRIPTION: CPA
 COLOR: Orange
 MATERIAL: PP

C PART NO: 12045890

DESCRIPTION: TPA
 COLOR: Md. Gray
 MATERIAL: PA6



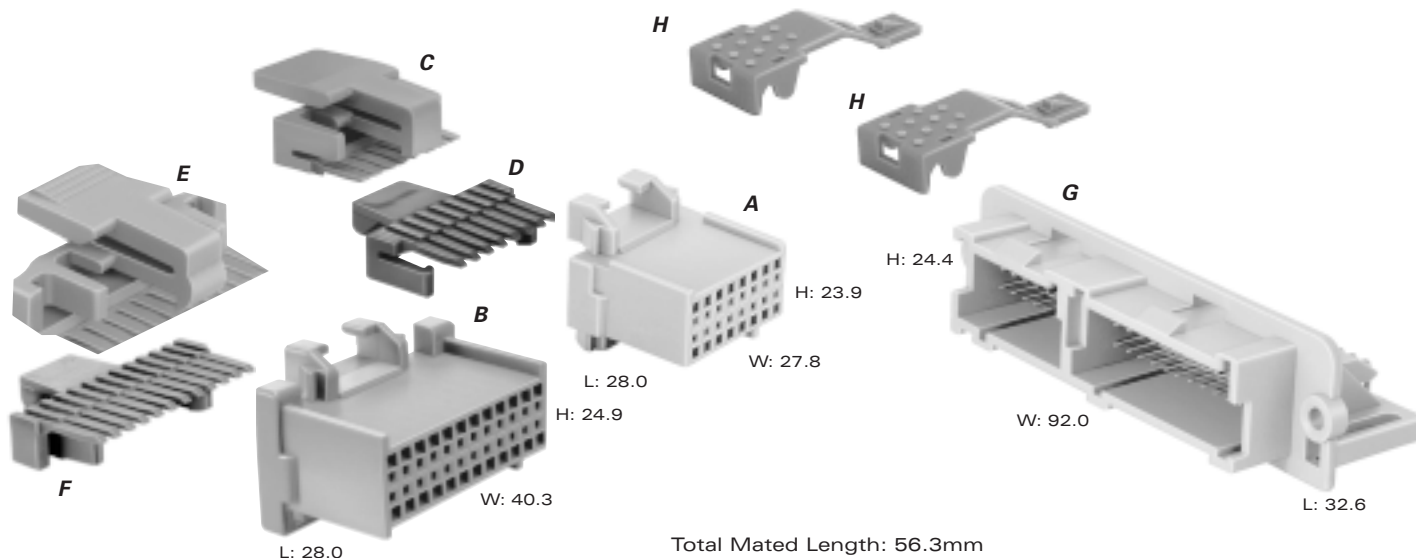
A PART NO: 12110207
DESCRIPTION: Connector 32F
SIZE: 28.0L x 22.6H x 51.7W
COLOR: Lt. Blue
MATERIAL: PBT 30% GF
TERMINALS: See Page 170

B PART NO: 12045889
DESCRIPTION: TPA
COLOR: Blue
MATERIAL: PA6

C PART NO: 12045890
DESCRIPTION: TPA
COLOR: Md. Gray
MATERIAL: PA6

D PART NO: 12110323
DESCRIPTION: Connector Assembly 32M
SIZE: 33.5L x 24.8H x 74.3W
COLOR: Lt. Blue
MATERIAL: PBT 30% GF

E PART NO: 12077899
DESCRIPTION: CPA
COLOR: Orange
MATERIAL: PP



A PART NO: 12084945
 DESCRIPTION: Connector 16F
 SIZE: 28.0L x 23.9H x 27.8W
 COLOR: Gray
 MATERIAL: PBT 30% GF
 TERMINALS: See Page 170

G PART NO: 12191050
 DESCRIPTION: Connector Assembly 40M
 SIZE: 32.6L x 24.4H x 92.0W
 COLOR: Gray
 MATERIAL: PBT 30% GF

B PART NO: 12110088
 DESCRIPTION: Connector 24F
 SIZE: 28.0L x 24.9H x 40.3W
 COLOR: Lt. Gray
 MATERIAL: PBT 30% GF
 TERMINALS: See Page 170

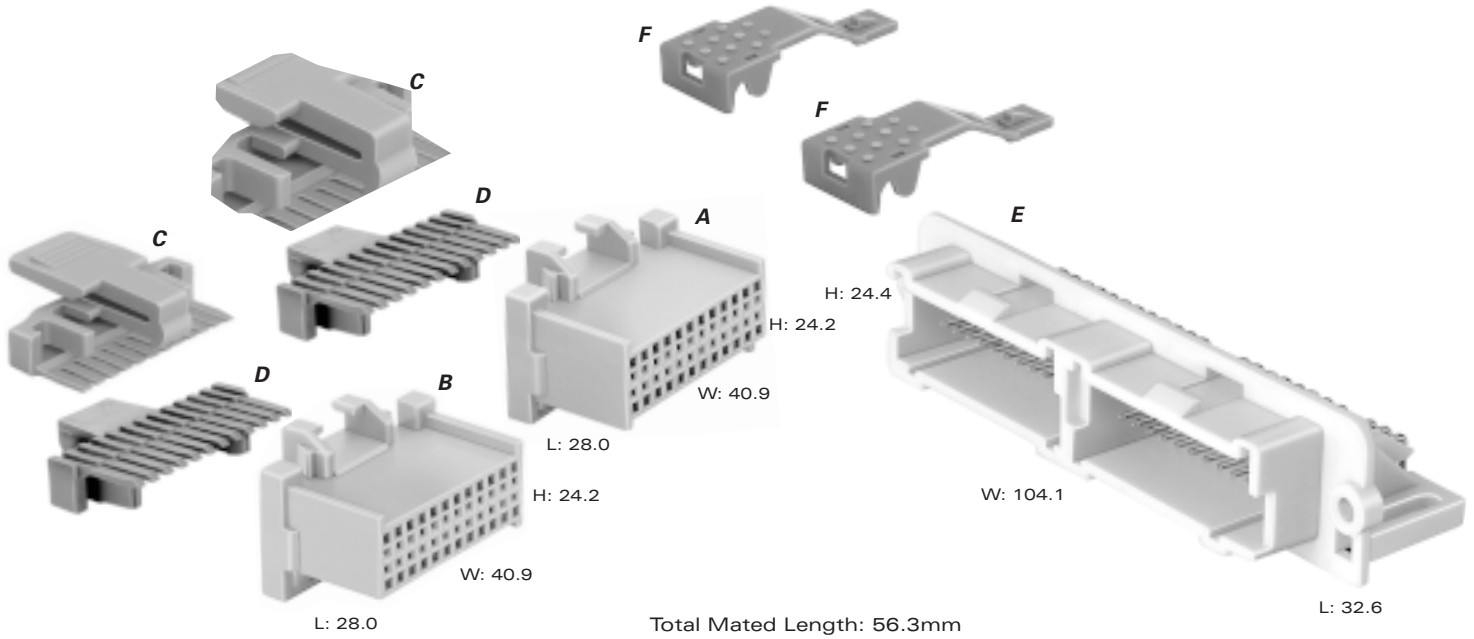
H PART NO: 12077899
 DESCRIPTION: CPA
 NUMBER REQ: 2
 COLOR: Orange
 MATERIAL: PP

C PART NO: 12048344
 DESCRIPTION: TPA
 COLOR: Blue
 MATERIAL: PA6

D PART NO: 12048345
 DESCRIPTION: TPA
 COLOR: Blue
 MATERIAL: PA6

E PART NO: 12047900
 DESCRIPTION: TPA
 COLOR: Blue
 MATERIAL: PA6

F PART NO: 12047901
 DESCRIPTION: TPA
 COLOR: Blue
 MATERIAL: PA6



A PART NO: 12110244
 DESCRIPTION: Connector 24F
 SIZE: 28.0L x 24.2H x 40.9W
 COLOR: Pink
 MATERIAL: PBT 30% GF
 TERMINALS: See Page 170

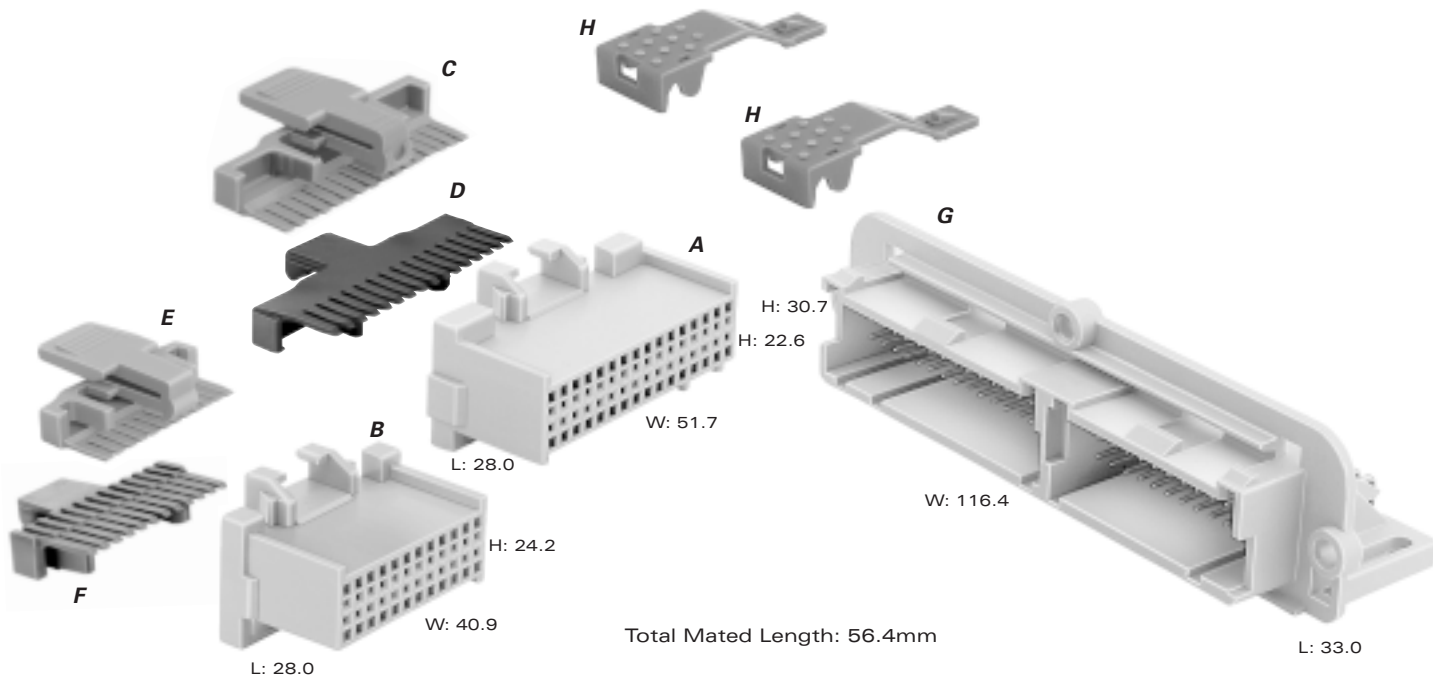
E PART NO: 12191140
 DESCRIPTION: Connector Assembly 48M
 SIZE: 32.6L x 24.4H x 104.1W
 COLOR: Natural
 MATERIAL: PBT 30% GF

B PART NO: 12110206
 DESCRIPTION: Connector 24F
 SIZE: 28.0L x 24.2H x 40.9W
 COLOR: Lt. Blue
 MATERIAL: PBT 30% GF
 TERMINALS: See Page 170

F PART NO: 12077899
 DESCRIPTION: CPA
 NUMBER REQ: 2
 COLOR: Orange
 MATERIAL: PP

C PART NO: 12047900
 DESCRIPTION: TPA
 NUMBER REQ: 2
 COLOR: Blue
 MATERIAL: PA6

D PART NO: 12047901
 DESCRIPTION: TPA
 NUMBER REQ: 2
 COLOR: Blue
 MATERIAL: PA6



A PART NO: 12110207* (Lt. Blue)
 12110245* (Pink)
 12160779* (Brown)

DESCRIPTION: Connector 32F
 SIZE: 28.0L x 22.6H x 51.7W
 MATERIAL: PBT 30% GF
 TERMINALS: See Page 170
 *DIFFERENT INDEXING FEATURE.

G PART NO: 12110209* (Lt. Blue)
 12110241* (Pink)
 12160777* (Brown)

DESCRIPTION: Connector Assembly 56M
 SIZE: 33.0L x 30.7H x 116.4W
 COLOR: Lt. Blue
 MATERIAL: PBT 30% GF
 *DIFFERENT INDEXING FEATURE.

B PART NO: 12110206* (Lt. Blue)
 12110244* (Pink)
 12160778* (Brown)

DESCRIPTION: Connector 24F
 SIZE: 28.0L x 24.2H x 40.9W
 MATERIAL: PBT 30% GF
 TERMINALS: See Page 170
 *DIFFERENT INDEXING FEATURE.

H PART NO: 12077899

DESCRIPTION: CPA
 NUMBER REQ: 2
 COLOR: Orange
 MATERIAL: PP

C PART NO: 12045889

DESCRIPTION: TPA
 COLOR: Blue
 MATERIAL: PA6

D PART NO: 12045890

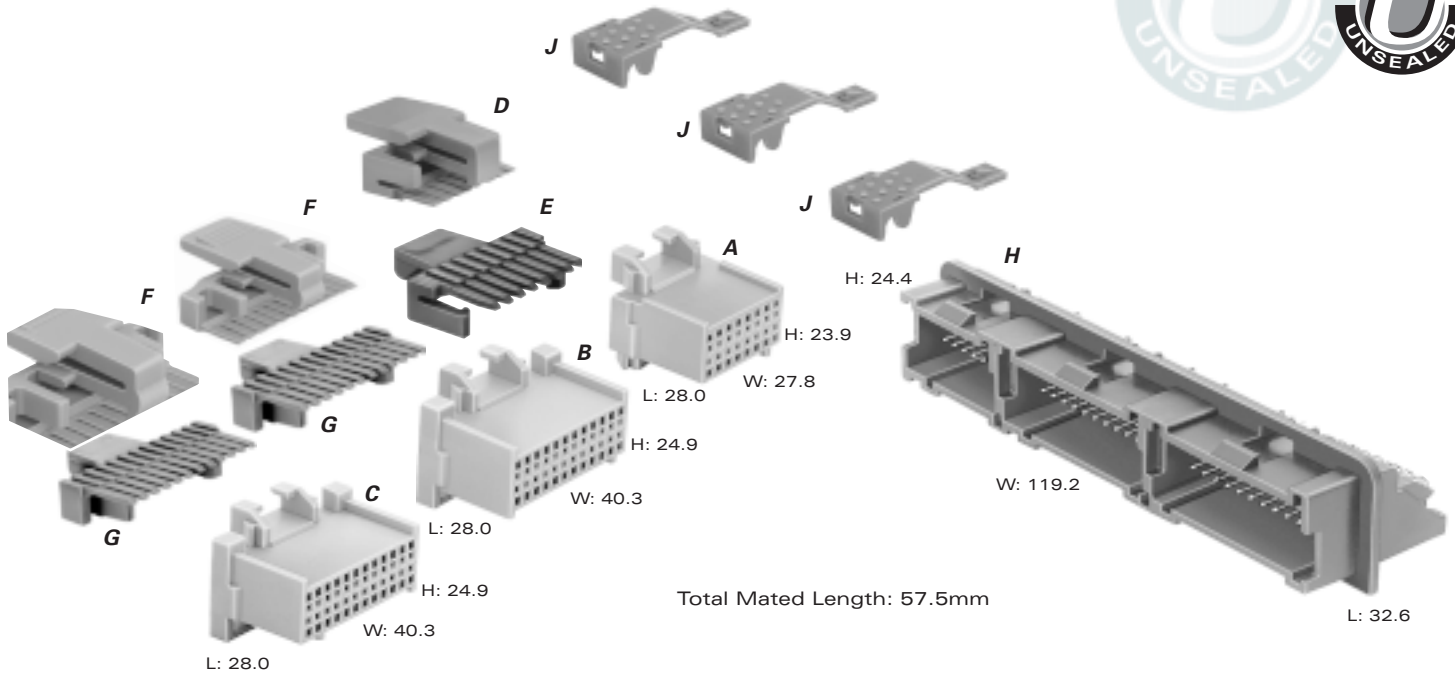
DESCRIPTION: TPA
 COLOR: Md. Gray
 MATERIAL: PA6

E PART NO: 12047900

DESCRIPTION: TPA
 COLOR: Blue
 MATERIAL: PA6

F PART NO: 12047901

DESCRIPTION: TPA
 COLOR: Blue
 MATERIAL: PA6



**A PART NO: 12084945* (Gray)
12191375* (Purple)**

DESCRIPTION: Connector 16F
SIZE: 28.0L x 23.9H x 27.8W
COLOR: Gray
MATERIAL: PBT 30% GF
TERMINALS: See Page 170
*DIFFERENT INDEXING FEATURE.

**H PART NO: 12160861* (Black)
12191293* (Dk. Blue)**

DESCRIPTION: Connector Assembly 64M
SIZE: 32.6L x 24.4H x 119.2W
MATERIAL: PBT 30% GF
*DIFFERENT INDEXING FEATURE.

**B PART NO: 12110088* (Lt. Gray)
12110206* (Lt. Blue)**

DESCRIPTION: Connector 24F
SIZE: 28.0L x 24.9H x 40.3W
MATERIAL: PBT 30% GF
TERMINALS: See Page 170
*DIFFERENT INDEXING FEATURE.

J PART NO: 12077899

DESCRIPTION: CPA
NUMBER REQ: 3
COLOR: Orange
MATERIAL: PP

**C PART NO: 12110244* (Pink)
12160778* (Brown)**

DESCRIPTION: Connector 24F
SIZE: 28.0L x 24.9H x 40.3W
MATERIAL: PBT 30% GF
TERMINALS: See Page 170
*DIFFERENT INDEXING FEATURE.

D PART NO: 12048344

DESCRIPTION: TPA
COLOR: Blue
MATERIAL: PA6

E PART NO: 12048345

DESCRIPTION: TPA
COLOR: Blue
MATERIAL: PA6

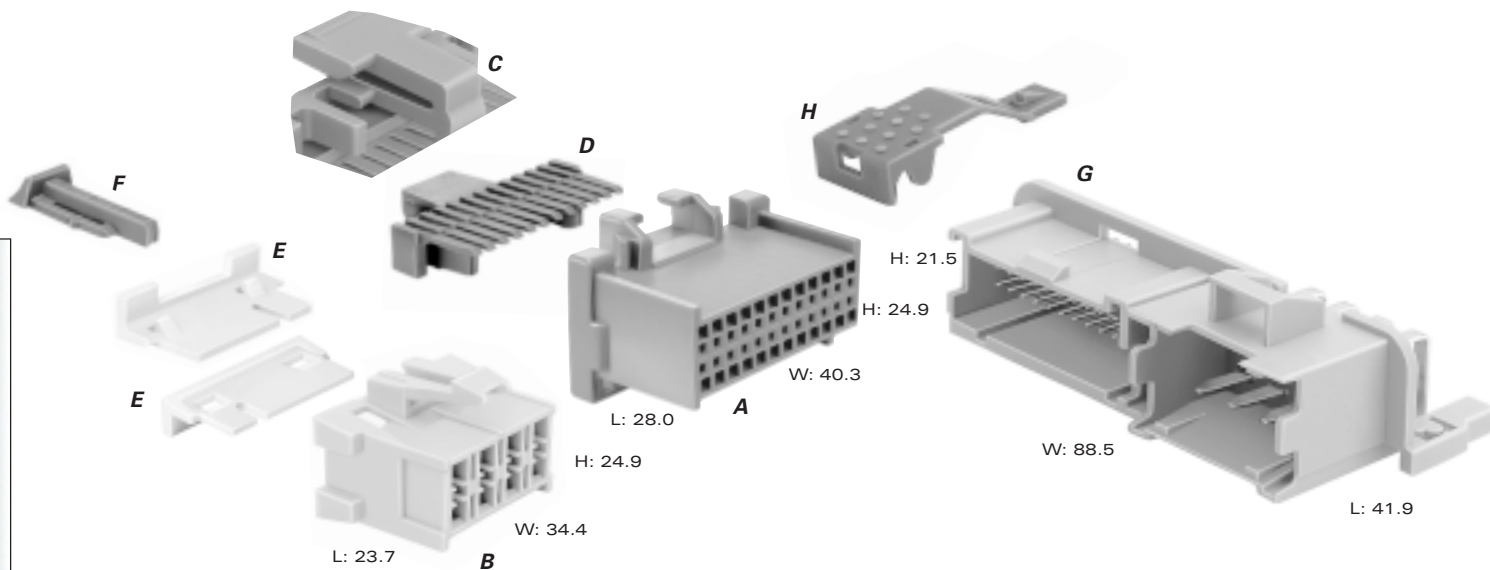
F PART NO: 12047900

DESCRIPTION: TPA
NUMBER REQ: 2
COLOR: Blue
MATERIAL: PA6

G PART NO: 12047901

DESCRIPTION: TPA
NUMBER REQ: 2
COLOR: Blue
MATERIAL: PA6

<http://delphi.com/products/connect>



Total Mated Length: 59.7mm

A PART NO: **12110088*** (Lt. Gray)
12110206* (Lt. Blue)
12110244* (Pink)

DESCRIPTION: Connector 24F
 SIZE: 28.0L x 24.9H x 40.3W
 MATERIAL: PBT 30% GF
 TERMINALS: See Page 170
 *DIFFERENT INDEXING FEATURE.

G PART NO: **15357042*** (Gray)
15357044* (Lt. Blue)
15357046* (Pink)

DESCRIPTION: Connector Assembly 32M
 SIZE: 41.9L x 21.5H x 88.5W
 MATERIAL: PBT 30% GF
 *DIFFERENT INDEXING FEATURE.

B PART NO: **15357040**

DESCRIPTION: Connector 8F
 SIZE: 23.7L x 24.9H x 34.4W
 COLOR: Md. Gray
 MATERIAL: PA66 HS IM
 TERMINALS: See Page 160, 280 Metri-Pack Tangless

H PART NO: **12077899**

DESCRIPTION: CPA
 COLOR: Orange
 MATERIAL: PP

C PART NO: **12047900**

DESCRIPTION: TPA
 COLOR: Blue
 MATERIAL: PA6

D PART NO: **12047901**

DESCRIPTION: TPA
 COLOR: Blue
 MATERIAL: PA6

E PART NO: **15324332**

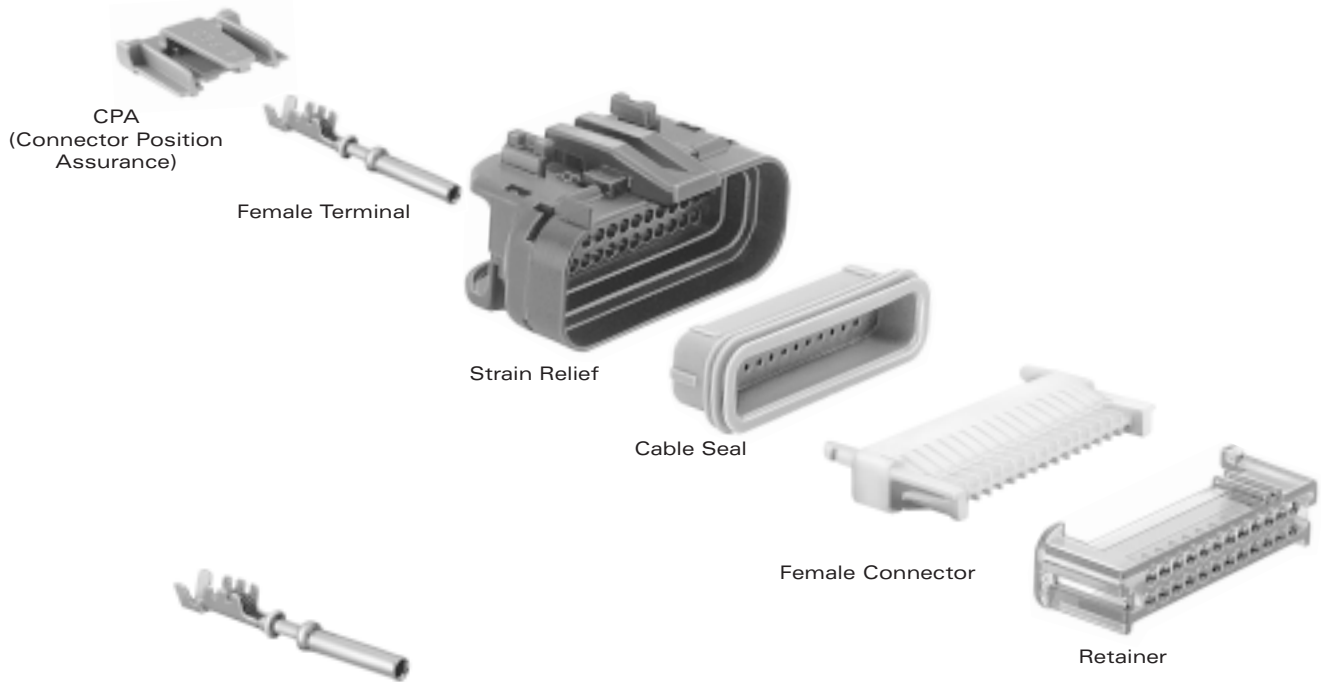
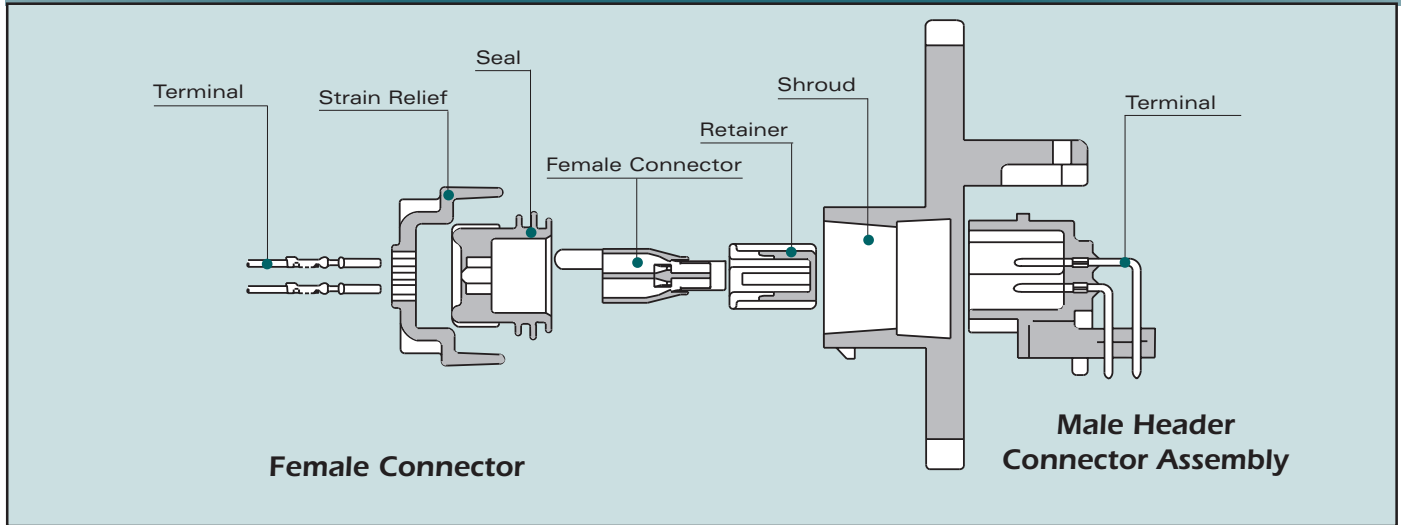
DESCRIPTION: TPA
 NUMBER REQ: 2
 COLOR: Natural
 MATERIAL: PA66 HS IM

F PART NO: **12052834**

DESCRIPTION: CPA
 COLOR: Green
 MATERIAL: PP



Cross Sectional View



MICRO-PACK FEMALE TERMINALS SEALED

Part #	Cable Range (mm ²)	Material	Plating
12084912	0.80	Phosphor Bronze	Gold/Nickel
12084913	0.50-0.35	Phosphor Bronze	Gold/Nickel

MICRO-PACK FEMALE CONNECTORS SEALED

# Cavities	Connector	Color	Material	TPA	Retainer**	Seal	Strain Relief
24	12129225	Natural	PBT	-	12129183	12110403*	12160848
32	12129025	Natural	PBT	-	12129023	12129026*	12129030
36	12110487	Black	PBT	-	12110488	12110489*	12110490
Mixed							
32	12160423	Black	PBT	12160419	12160418	12160425 12160426	12160424

*Validated for 0.80-0.50 cable.

**Retainers provide terminal position assurance.

<http://delphi.com/products/connect>

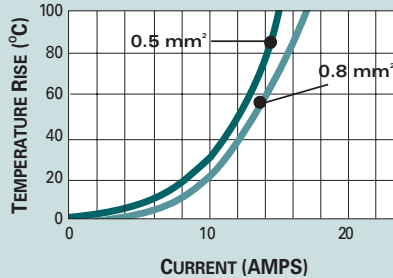


Sealed System Application Information

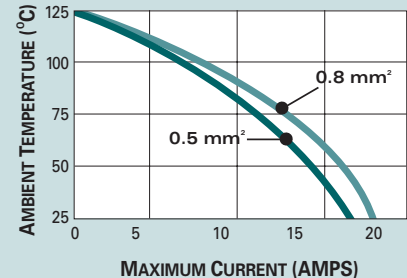
CABLE RANGE (mm²): 0.35-0.8
CURRENT RANGE (AMPS): 0-7.5
TEMP RANGE °C: -40 to 125
RESISTANCE: <10mΩ@20mV
VOLTAGE DROP: <10.0mV/amp
CENTERLINE SPACING (mm): 3.5
TERMINAL DIAMETER (mm): 1.0

MICRO-PACK 100W TERMINALS – Gold Plated

TEMPERATURE RISE ABOVE AMBIENT (25°C) VS CURRENT*



TEMPERATURE DERATING CURVES*



*The test data are based on single circuits in free space and were generated using a "Lumped Resistance" model. This model does not account for all of the variables that would be present in an actual application. For actual product performance, contact your regional support representative at the number listed below.



Male Header Connector Assembly

MICRO-PACK MALE HEADER CONNECTOR ASSEMBLIES SEALED

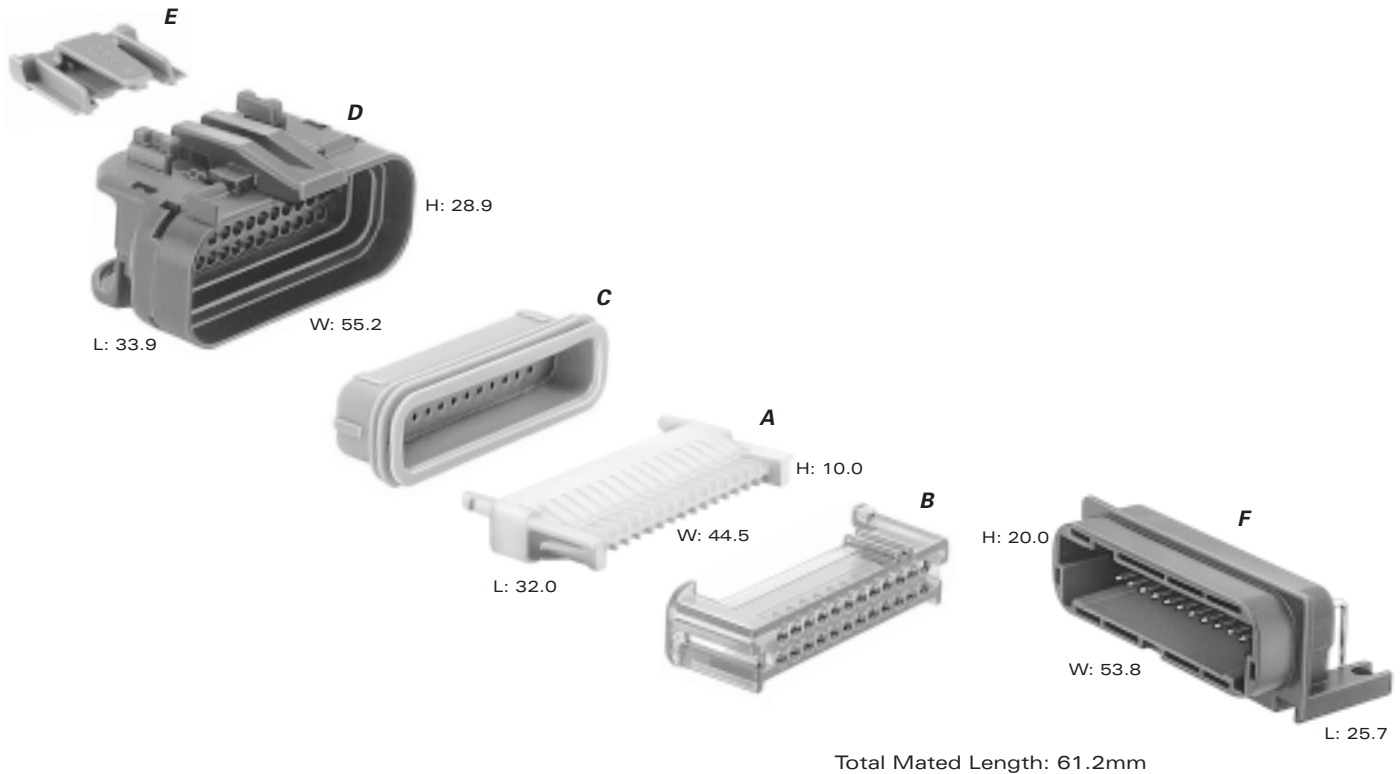
# Cavities	Connector	Color	Material
24	12092320	Black	PBT 30% GF
32	12129008	Blue	PBT 30% GF
36	12110485	Black	PBT 30% GF
Mixed			
32	12146993	Black	PBT 30% GF

Terminals included in connector assembly.

SECTION NOTES:

- Contact your regional support representative at the number listed below.
- Sealing shroud and locking feature for connector assembly must be designed into mating device housing.

<http://delphi.com/products/connect>



A PART NO: 12129225
 DESCRIPTION: Connector 24F
 SIZE: 32.0L x 10.0H x 44.5
 COLOR: Natural
 MATERIAL: PBT
 TERMINALS: See Page 188

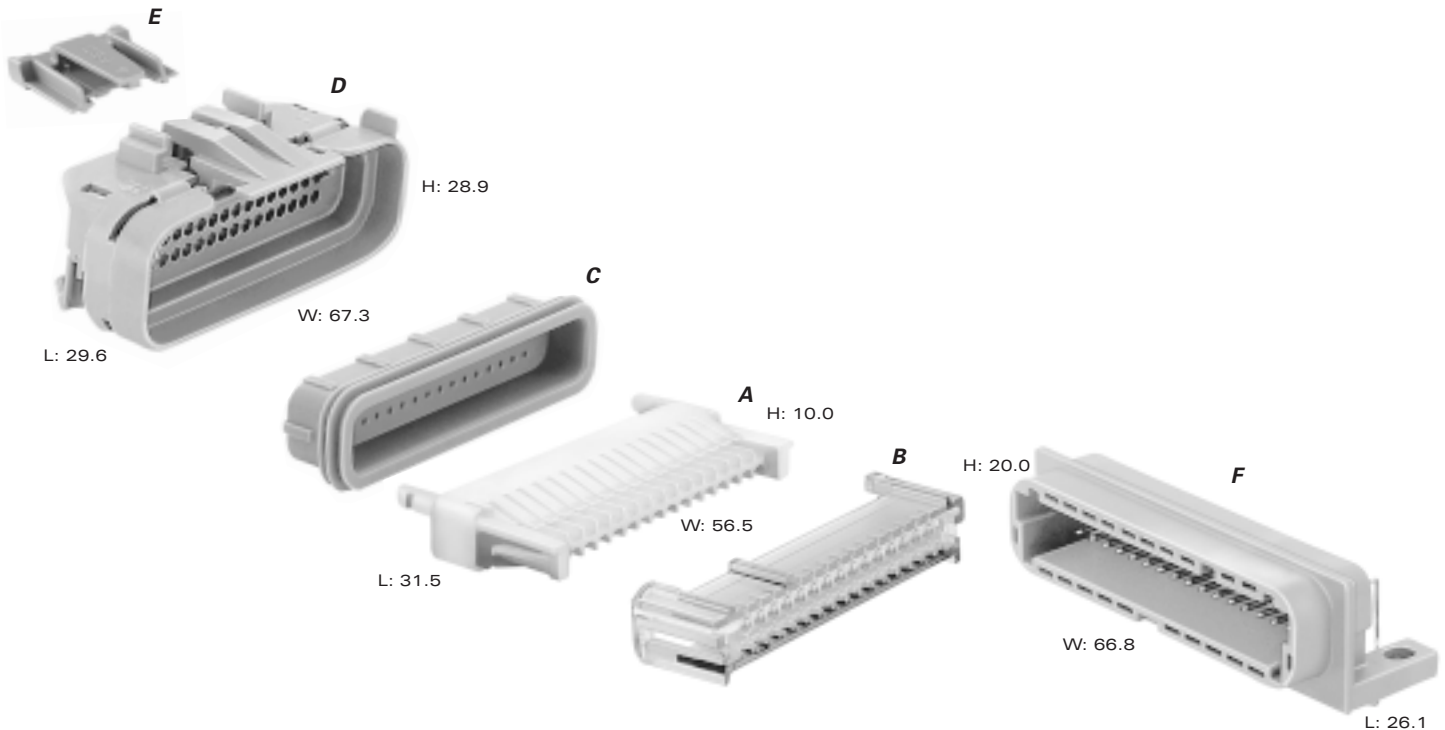
F PART NO: 12092320
 DESCRIPTION: Connector Assembly 24M
 SIZE: 25.7L x 20.0H x 53.8W
 COLOR: Black
 MATERIAL: PBT 30% GF

B PART NO: 12129183
 DESCRIPTION: Retainer 24F
 COLOR: Black
 MATERIAL: PC

C PART NO: 12110403
 DESCRIPTION: Seal 24F
 COLOR: Green
 MATERIAL: Silicone

D PART NO: 12160848 Black (Right Wire Dress)
12129858 Gray (Straight Wire Dress)
12129811 Gray (Right Wire Dress)
 DESCRIPTION: Strain Relief 24F
 SIZE: 33.9L x 28.9H x 55.2W
 MATERIAL: TEEE

E PART NO: 12110299
 DESCRIPTION: CPA
 COLOR: Red
 MATERIAL: PBT



Total Mated Length: 57.6mm

A PART NO: 12129025
 DESCRIPTION: Connector 32F
 SIZE: 31.5L x 10.0H x 56.5W
 COLOR: Natural
 MATERIAL: PBT
 TERMINALS: See Page 188

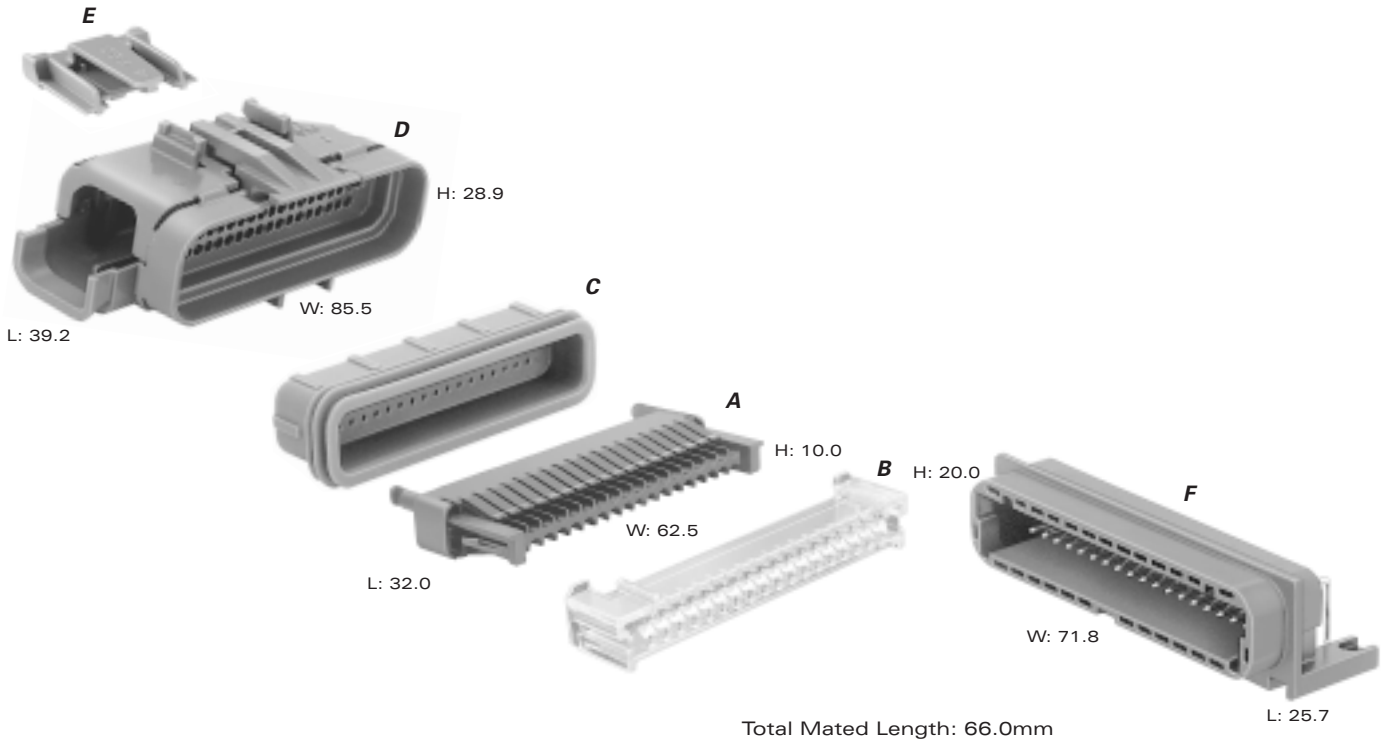
B PART NO: 12129023* (Md. Blue)
12129021* (Black)
12129022* (Clear)
 DESCRIPTION: Retainer 32F
 MATERIAL: PC
 *DIFFERENT INDEXING FEATURE.

C PART NO: 12129026
 DESCRIPTION: Seal 32F
 COLOR: Green
 MATERIAL: Silicone

D PART NO: 12129030 (Right Wire Dress)
12129028 (Left Wire Dress)
 DESCRIPTION: Strain Relief 32F
 SIZE: 29.6L x 28.9H x 67.3W
 COLOR: Gray
 MATERIAL: TEEE

E PART NO: 12110299
 DESCRIPTION: CPA
 COLOR: Red
 MATERIAL: PBT

F PART NO: 12129008* (Blue)
12186041* (Black)
12186043* (Gray)
 DESCRIPTION: Connector Assembly 32M
 SIZE: 26.1L x 20.0H x 66.8W
 MATERIAL: PBT 30% GF
 *DIFFERENT INDEXING FEATURE.



A PART NO: 12110487

DESCRIPTION: Connector 36F
 SIZE: 32.0L x 10.0H x 62.5W
 COLOR: Black
 MATERIAL: PBT
 TERMINALS: See Page 188

B PART NO: 12110488

DESCRIPTION: Retainer 36F
 COLOR: Clear
 MATERIAL: PC

C PART NO: 12110489

DESCRIPTION: Seal 36F
 COLOR: Green
 MATERIAL: Silicone

D PART NO: 12110490 (Right Wire Dress)

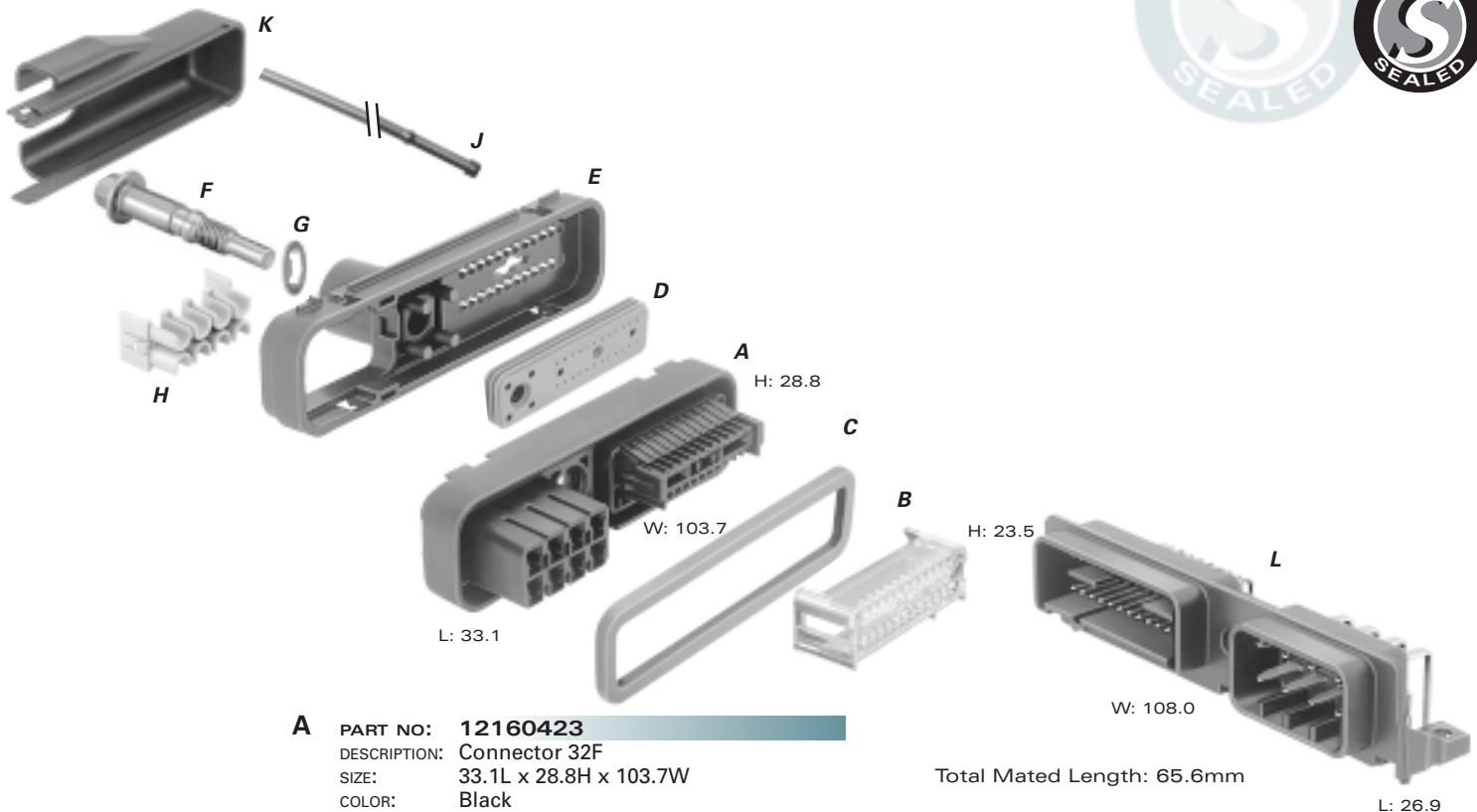
DESCRIPTION: Strain Relief 36F
 SIZE: 39.2L x 28.9H x 85.5W
 COLOR: Gray
 MATERIAL: TEEE

E PART NO: 12110299

DESCRIPTION: CPA
 COLOR: Red
 MATERIAL: PBT

F PART NO: 12110485

DESCRIPTION: Connector Assembly 36M
 SIZE: 25.7L x 20.0H x 71.8W
 COLOR: Black
 MATERIAL: PBT 30% GF



A PART NO: 12160423
 DESCRIPTION: Connector 32F
 SIZE: 33.1L x 28.8H x 103.7W
 COLOR: Black
 MATERIAL: PBT
 TERMINALS: See page 188, Micro-Pack Sealed
 See below, 280 Metri-Pack Tangless

B PART NO: 12160418
 DESCRIPTION: Retainer 24F
 COLOR: Red
 MATERIAL: PC

C PART NO: 12160425
 DESCRIPTION: Connector Seal
 COLOR: Green
 MATERIAL: Silicone

D PART NO: 12160426
 DESCRIPTION: Seal 32F
 COLOR: Green
 MATERIAL: Silicone

E PART NO: 12160424
 DESCRIPTION: Strain Relief
 SIZE: 25.9L x 28.7H x 98.6W
 COLOR: Black
 MATERIAL: PA66 HS IM 14% GF

F PART NO: 12160427
 DESCRIPTION: Bolt
 SIZE: M4 Hex Head
 MATERIAL: Zinc Plated Steel

G PART NO: 12103406
 DESCRIPTION: Bolt Retainer
 MATERIAL: Zinc Plated Steel

H PART NO: 12160419
 DESCRIPTION: TPA
 COLOR: Md. Gray
 MATERIAL: PA66 HS IM

J PART NO: 12161104
 DESCRIPTION: Vent Tube
 COLOR: Black
 MATERIAL: PA6
 LENGTH: 1180mm
 APPLICATION: Vents Air Pressure inside Module.

K PART NO: 12160420
 DESCRIPTION: Wire Dress Cover
 COLOR: Black
 MATERIAL: PA66 HS IM 14% GF

L PART NO: 12146993
 DESCRIPTION: Connector Assembly 32M
 SIZE: 26.9L x 23.5H x 108.0W
 COLOR: Black
 MATERIAL: PBT 30% GF

TANGLESS



280 TANGLESS FEMALE TERMINALS SEALED

Part #	Cable Range (mm ²)	Material	Plating
12110853	5.0-3.0	Tin Brass	Tin
12129409	2.0-1.0	Tin Brass	Tin
12110845*	3.0-2.0	Tin Brass	Tin
12110847*	1.0-0.80	Tin Brass	Tin
12110846*	0.50-0.35	Tin Brass	Tin

* **Thin Stock**—Electrical current restrictions may apply, contact your regional support representative at the number listed below.

Ducon Series

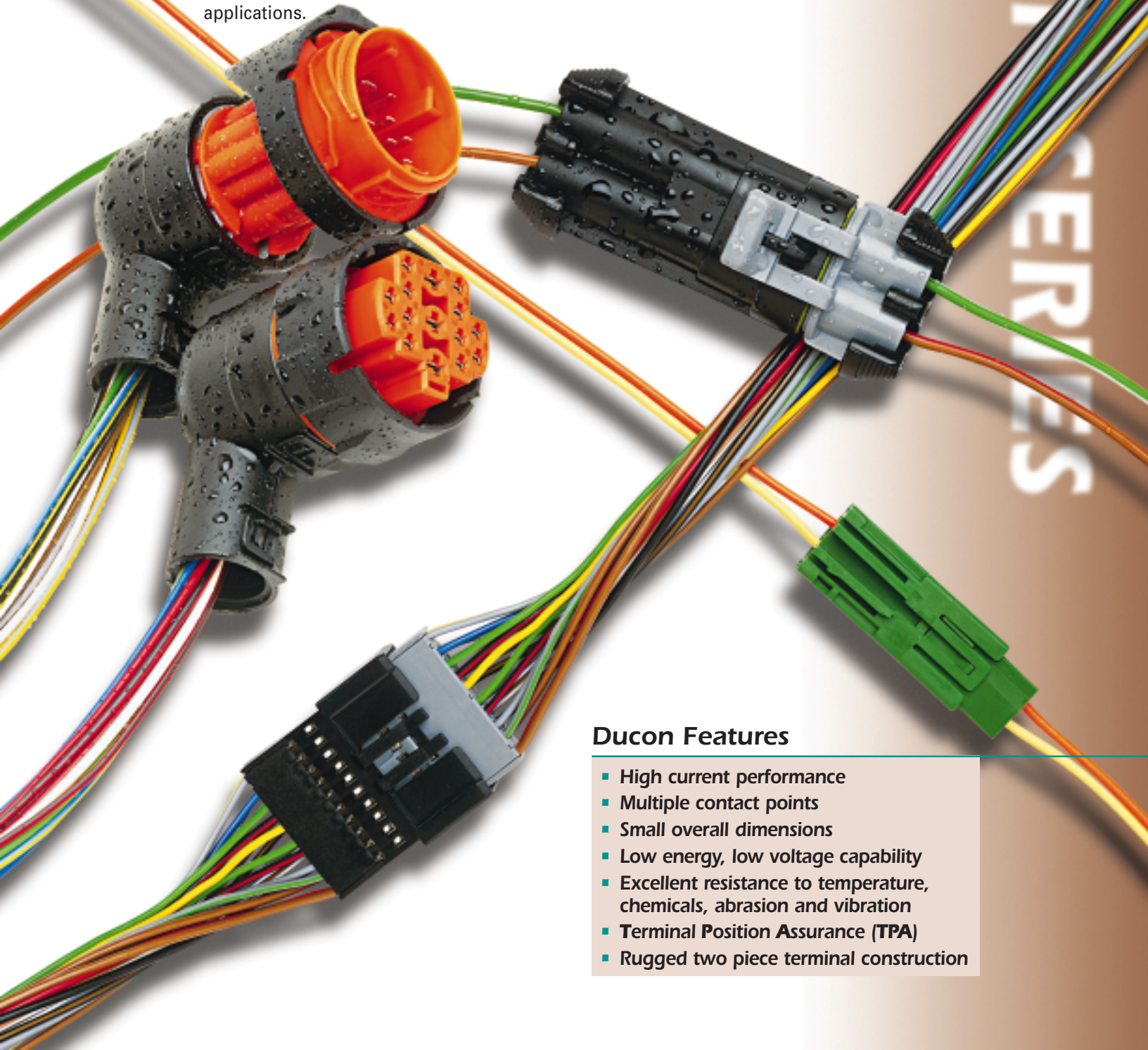
0.8, 1.5, 2.8, 4.8, 6.3 & Mixed



Available in both in-line and device connections for all underhood vehicle applications. By utilizing multiple contact points, the system offers exceptional electrical stability, even in high vibration applications.



Available in both device and in-line connection systems for all vehicle applications. Exceptional performance in both high and low current applications.

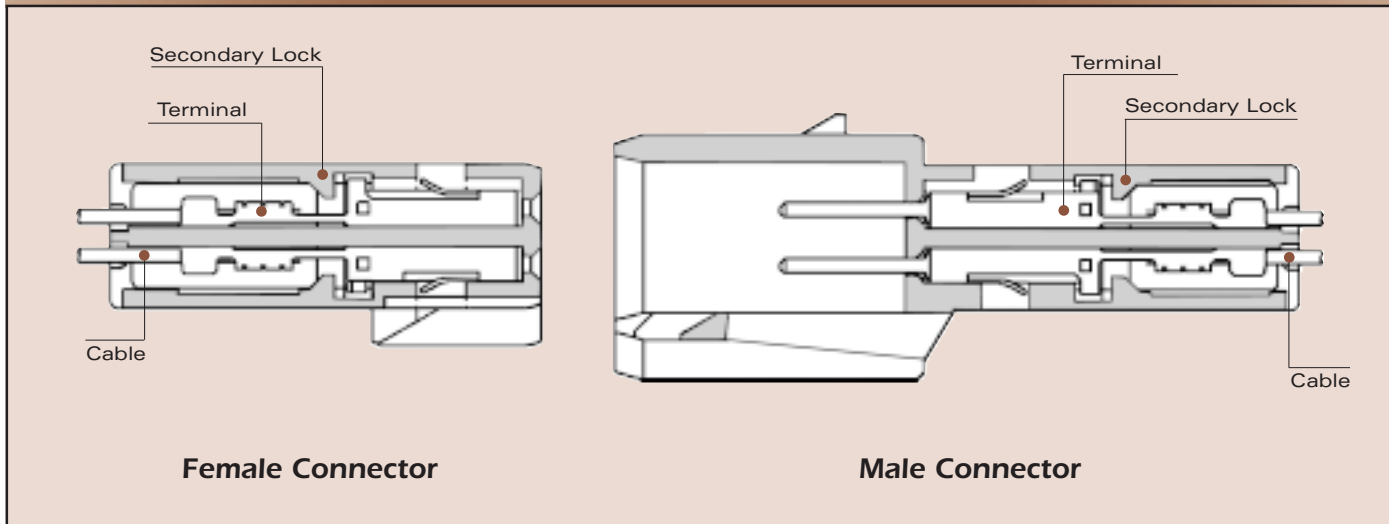


Ducon Features

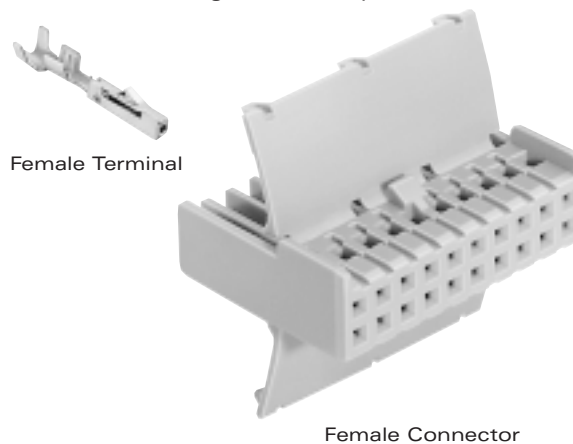
- High current performance
- Multiple contact points
- Small overall dimensions
- Low energy, low voltage capability
- Excellent resistance to temperature, chemicals, abrasion and vibration
- Terminal Position Assurance (TPA)
- Rugged two piece terminal construction



Cross Sectional View



Hinged Secondary Lock



0.8 FEMALE TERMINAL UNSEALED

Part #	Cable Range (mm ²)	Material	Plating
12131423	1.0-0.5	Copper Nickel Silicon Alloy	Tin

0.8 FEMALE CONNECTOR UNSEALED

# Cavities	Connector	Color	Material
20	15344037	Gray	PA6

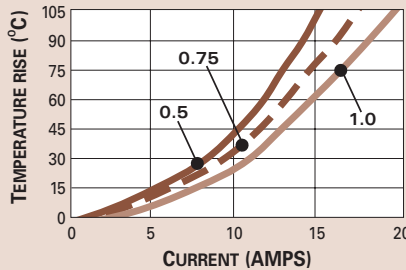


Unsealed System Application Information

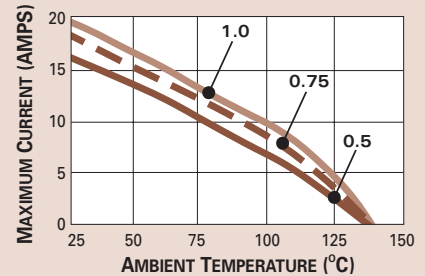
CABLE RANGE (mm²): 0.5-1.0
CURRENT RANGE (AMPS): 0-15
TEMP RANGE °C: -40 to 135
RESISTANCE: <10mΩ@20mV
VOLTAGE DROP: <4.0mV/amp
CENTERLINE SPACING (mm): 3.0
BLADE WIDTH (mm): 0.8

0.8 SERIES TERMINALS-Tin Plated

TEMPERATURE RISE ABOVE AMBIENT (25°C) VS CURRENT*



TEMPERATURE DERATING CURVES*



*The test data are based on single circuits in free space and were generated using a "Lumped Resistance" model. This model does not account for all of the variables that would be present in an actual application. For actual product performance, contact your regional representative at the number listed below.

Hinged Secondary Lock



Male Connector



Male Terminal



0.8 MALE CONNECTOR UNSEALED

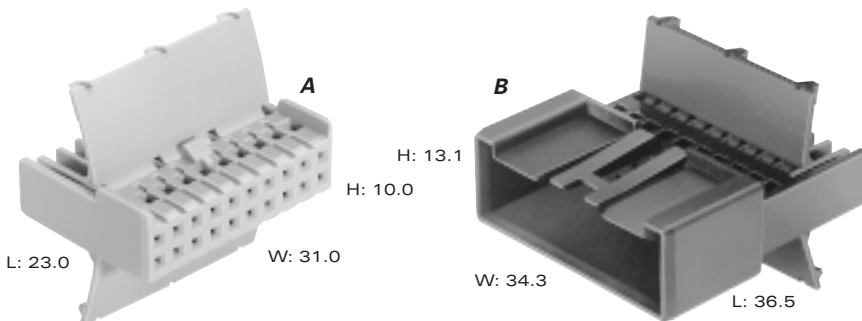
# Cavities	Connector	Color	Material
20	15344038	Black	PA6

0.8 MALE TERMINAL UNSEALED

Part #	Cable Range (mm ²)	Material	Plating
15327159	1.0-0.50	Copper Nickel Silicon Alloy	Tin

SECTION NOTES:

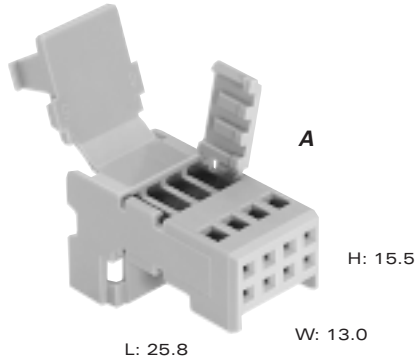
- Contact your regional support representative at the number listed below.
- Ducon Connection Systems have been validated using DIN Cable Standards.



Total Mated Length: 44.5mm

A PART NO: 15344037
DESCRIPTION: Connector 20F
SIZE: 23.0L x 10.0H x 31.0W
COLOR: Gray
MATERIAL: PA6
TERMINALS: See Page 198

B PART NO: 15344038
DESCRIPTION: Connector 20M
SIZE: 36.5L x 13.1H x 34.3W
COLOR: Black
MATERIAL: PA6
TERMINALS: See Page 199

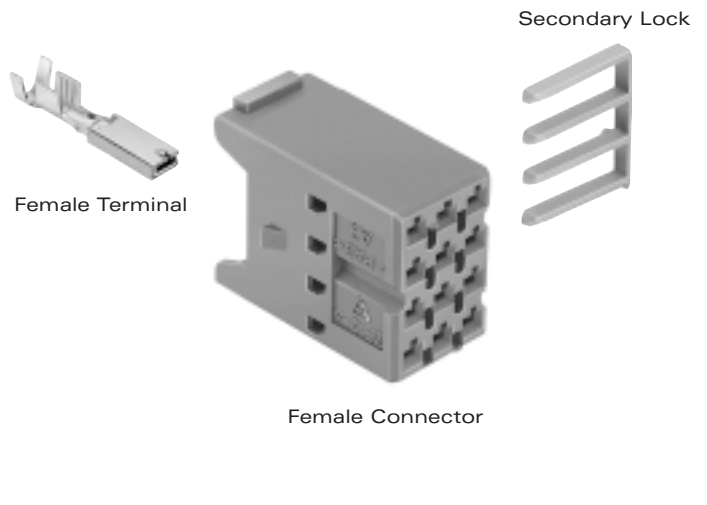
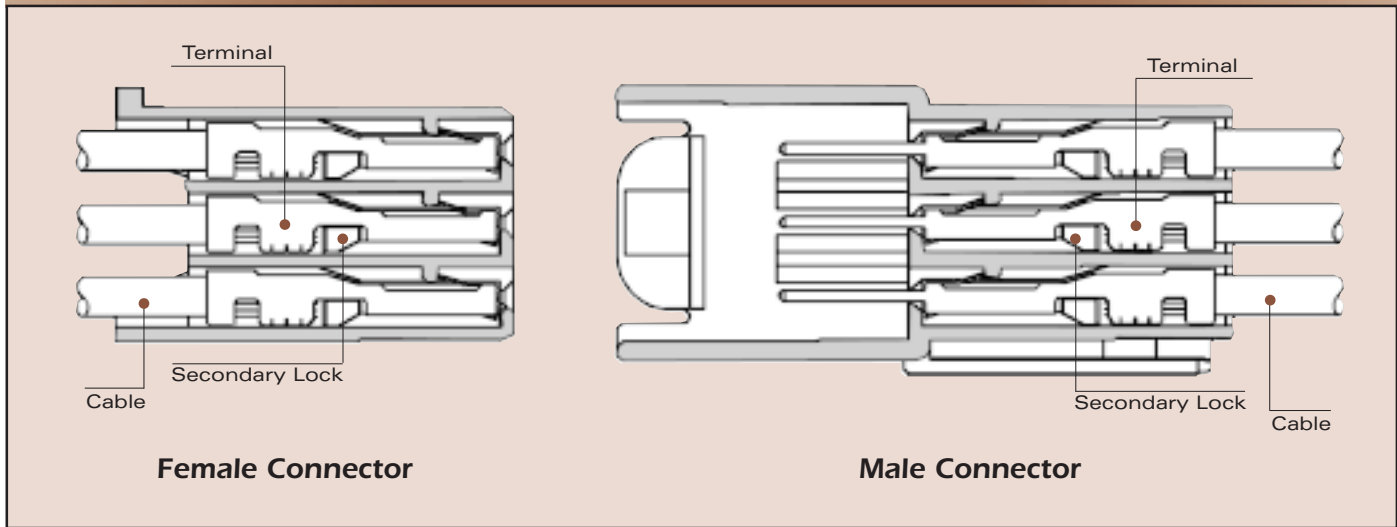


A PART NO: **15327190**
DESCRIPTION: Connector 8F
SIZE: 25.8L x 15.5H x 13.0W
COLOR: Gray
MATERIAL: PA66
TERMINALS: See Page 198





Cross Sectional View



1.5 FEMALE TERMINALS UNSEALED

Part #	Cable Range (mm ²)	Material	Plating
12147302	1.0-0.5	Copper Nickel Silicon Alloy	Tin
12147303	2.5-1.5	Copper Nickel Silicon Alloy	Tin

1.5 FEMALE CONNECTORS UNSEALED

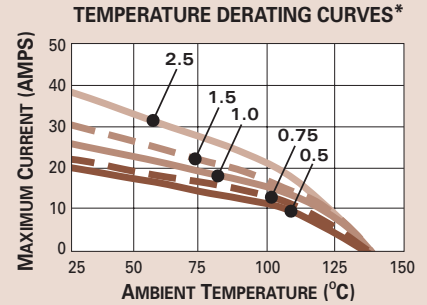
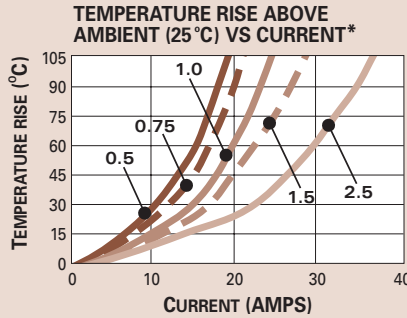
# Cavities	Connector	Color	Material	Secondary Lock
9	15336766	Blue	PA6	15354674
12	12185284	Green	PA6	12198533
15	12185081	Black	PA6	12185080



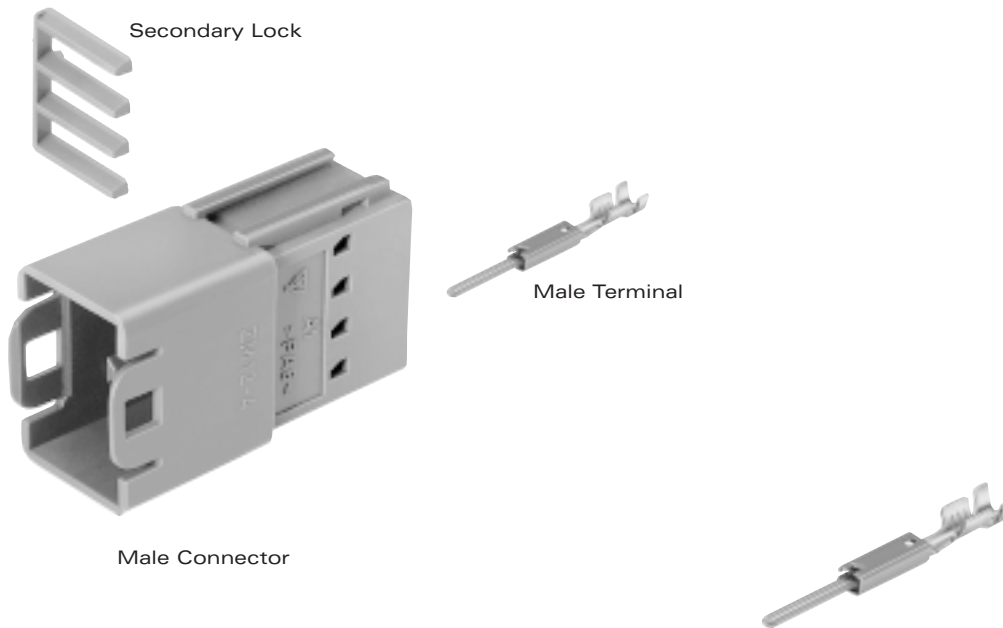
Unsealed System Application Information

CABLE RANGE (mm²): 0.5-2.5
CURRENT RANGE (AMPS): 25
TEMP RANGE °C: -40 to 135
RESISTANCE: <10mΩ@20mV
VOLTAGE DROP: <4.0mV/amp
CENTERLINE SPACING (mm): 4.5
BLADE WIDTH (mm): 1.5

1.5 SERIES TERMINALS-Tin Plated



*The test data are based on single circuits in free space and were generated using a "Lumped Resistance" model. This model does not account for all of the variables that would be present in an actual application. For actual product performance, contact your regional support representative at the number listed below.



1.5 MALE CONNECTORS UNSEALED

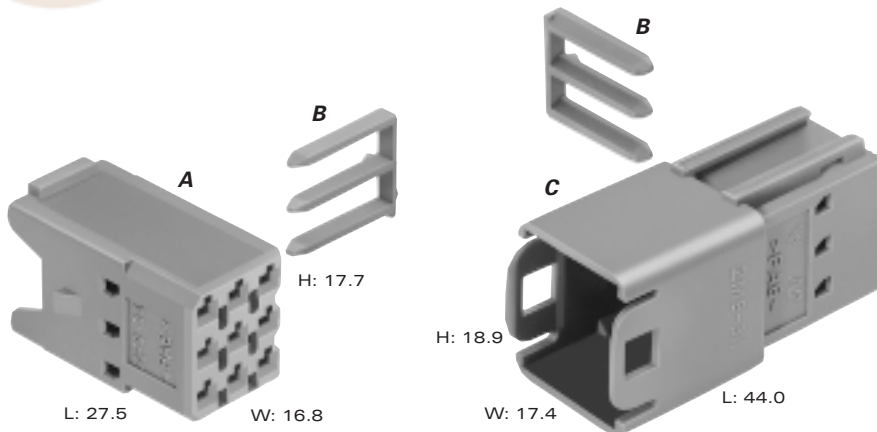
# Cavities	Connector	Color	Material	Secondary Lock
9	12185085	Blue	PA6	15354674
12	12184963	Green	PA6	12198533
15	12184934	Black	PA6	12184935

1.5 MALE TERMINALS UNSEALED

Part #	Cable Range (mm ²)	Material	Plating
12147299	1.0-0.5	Copper Nickel Silicon Alloy	Tin
12147300	2.5-1.5	Copper Nickel Silicon Alloy	Tin

SECTION NOTES:

- Contact your regional support representative at the number listed below.
- Ducon Connection Systems have been validated using DIN Cable Standards.

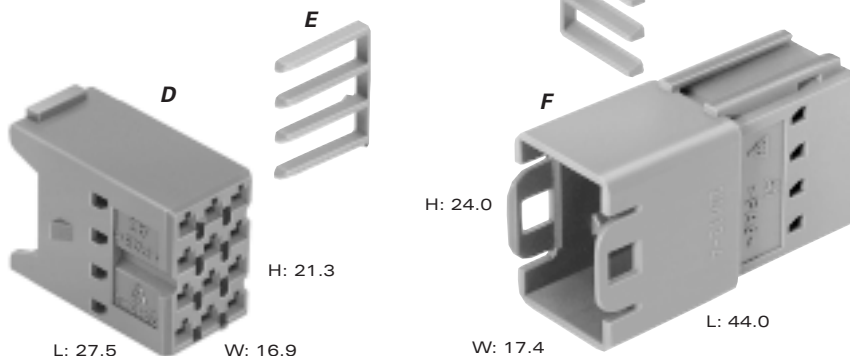


Total Mated Length: 50.5mm

A PART NO: **15336766**
 DESCRIPTION: Connector 9F
 SIZE: 27.5L x 17.7H x 16.8W
 COLOR: Blue
 MATERIAL: PA6
 TERMINALS: See Page 202

C PART NO: **12185085**
 DESCRIPTION: Connector 9M (Clip Slot)
 SIZE: 44.0L x 18.9H x 17.4W
 COLOR: Blue
 MATERIAL: PA6
 TERMINALS: See Page 203

B PART NO: **15354674**
 DESCRIPTION: Secondary Lock
 NUMBER REQ: 2
 COLOR: Gray
 MATERIAL: PA6 15% GF

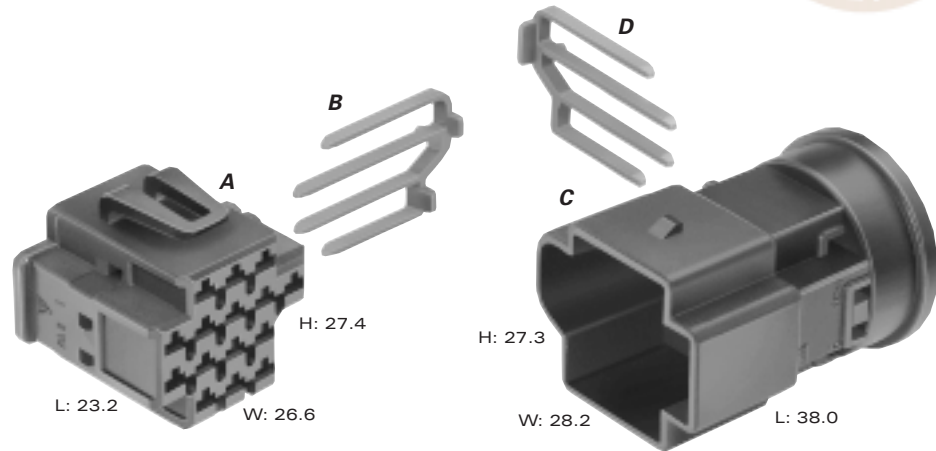


Total Mated Length: 50.5mm

D PART NO: **12185284**
 DESCRIPTION: Connector 12F
 SIZE: 27.5L x 21.3H x 16.9W
 COLOR: Green
 MATERIAL: PA6
 TERMINALS: See Page 202

F PART NO: **12184963**
 DESCRIPTION: Connector 12M (Clip Slot)
 SIZE: 44.0L x 24.0H x 17.4W
 COLOR: Green
 MATERIAL: PA6
 TERMINALS: See Page 203

E PART NO: **12198533**
 DESCRIPTION: Secondary Lock
 NUMBER REQ: 2
 COLOR: Gray
 MATERIAL: PA6 15% GF



Total Mated Length: 47.0mm

A PART NO: 12185081
 DESCRIPTION: Connector 15F
 SIZE: 23.2L x 27.4H x 26.6W
 COLOR: Black
 MATERIAL: PA6
 TERMINALS: See Page 202

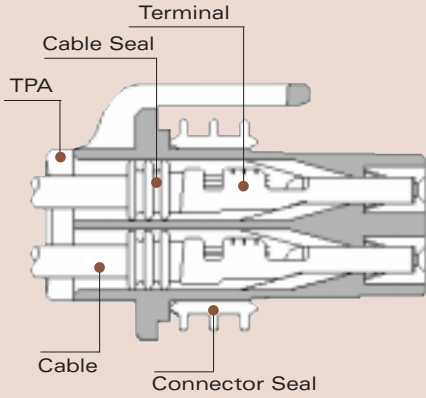
B PART NO: 12185080
 DESCRIPTION: Secondary Lock
 COLOR: Gray
 MATERIAL: PA6 15% GF

C PART NO: 12184934
 DESCRIPTION: Connector 15M
 SIZE: 38.0L x 27.3H x 28.2W
 COLOR: Black
 MATERIAL: PA6
 TERMINALS: See Page 203

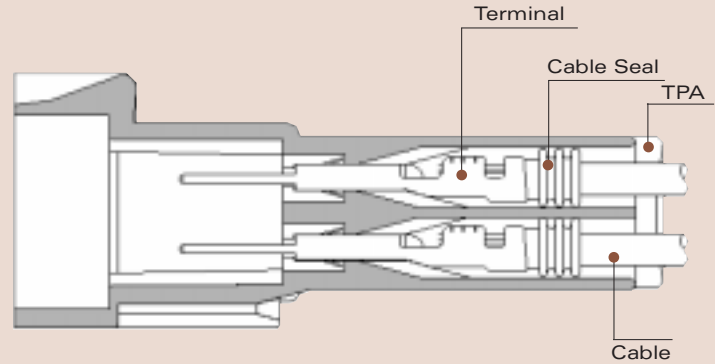
D PART NO: 12184935
 DESCRIPTION: Secondary Lock
 COLOR: Gray
 MATERIAL: PA6 15% GF



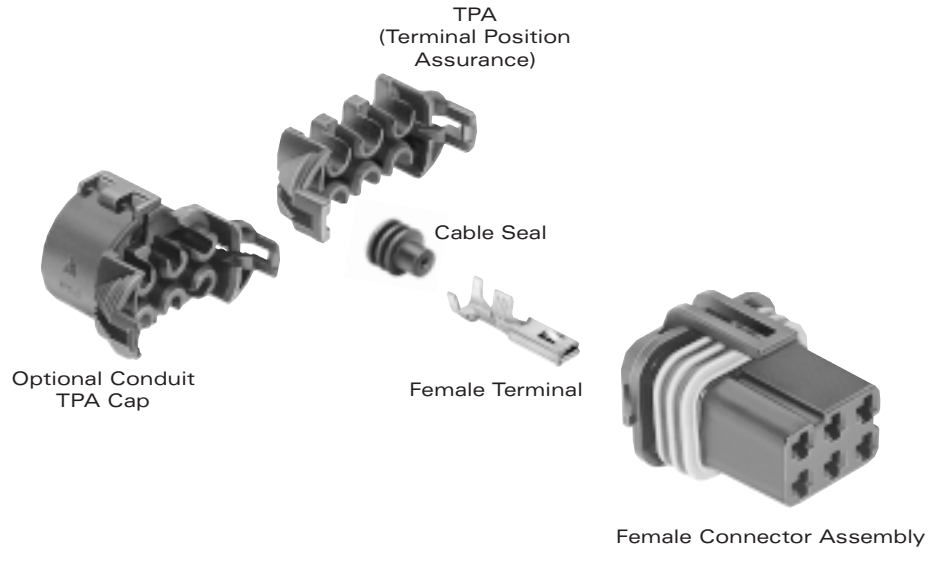
Cross Sectional View



Female Connector Assembly



Male Connector



2.8 FEMALE TERMINALS SEALED

Part #	Cable Range (mm ²)	Material	Plating
12158098	1.5-0.5	Copper Nickel Silicon Alloy	Tin
12185008	2.5-1.5	Copper Nickel Silicon Alloy	Tin

2.8 FEMALE CONNECTOR ASSEMBLY SEALED

# Cavities	Connector	Color	Material	TPA
6	15344052	Black	PA6	12185000
Optional Conduit	TPA Cap	Black	PA6	10717815

2.8 DUCON CABLE SEALS

Reel Part #	Loose Part #	Cable Diameter	Material	Color
12089442	12048087	2.00-1.20	Silicone	Blue
10720769	15363981	2.40-1.60	Silicone	White
15363992	12048086	2.90-2.00	Silicone	Dk. Red

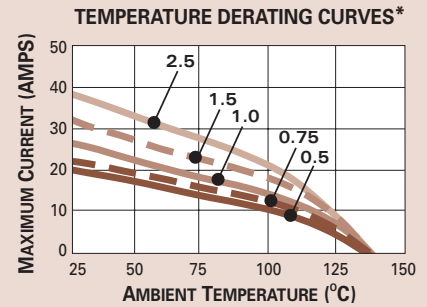
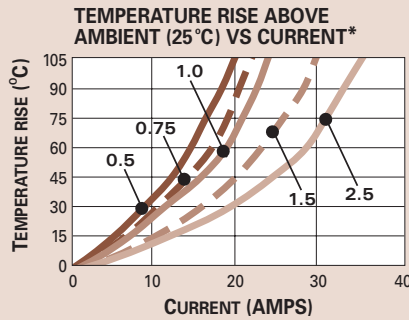
<http://delphi.com/products/connect>



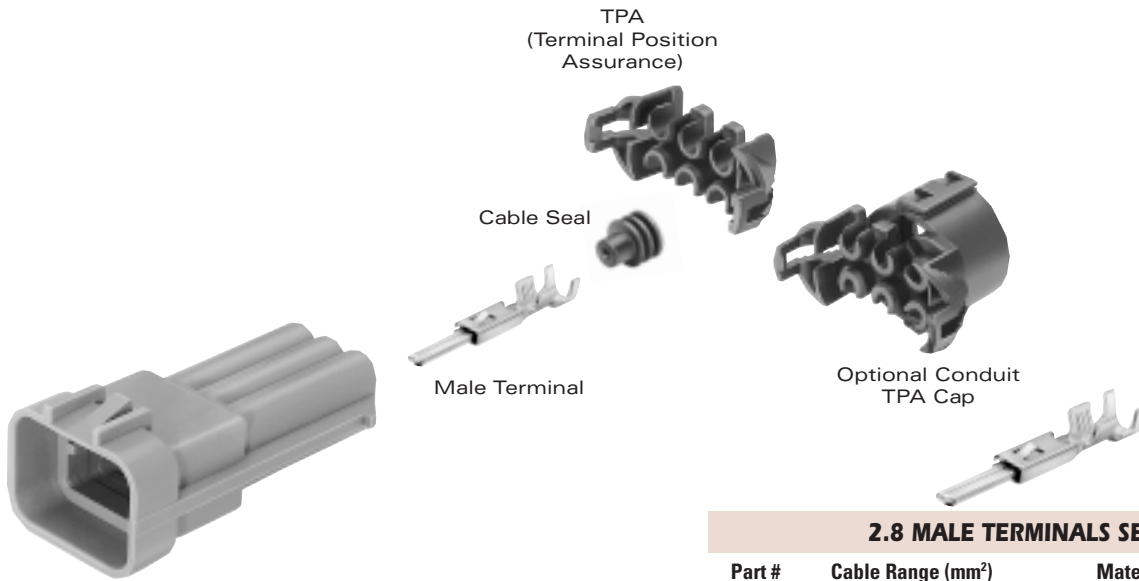
Sealed System Application Information

CABLE RANGE (mm²): 0.5-2.5
CURRENT RANGE (AMPS): 33
TEMP RANGE °C: -40 to 135
RESISTANCE: <10mΩ@20mV
VOLTAGE DROP: <4.0mV/amp
CENTERLINE SPACING (mm): 6.0
BLADE WIDTH (mm): 2.8

2.8 SERIES TERMINALS-Tin Plated



*The test data are based on single circuits in free space and were generated using a "Lumped Resistance" model. This model does not account for all of the variables that would be present in an actual application. For actual product performance, contact your regional support representative at the number listed below.



Male Connector

2.8 MALE CONNECTOR SEALED

# Cavities	Connector	Color	Material	TPA
6	12185126	Gray	PA6	12185000
Optional Conduit	TPA Cap	Black	PA6	10717815

2.8 MALE TERMINALS SEALED

Part #	Cable Range (mm ²)	Material	Plating
12185129	1.5-0.5	Copper Nickel Silicon Alloy	Tin
12185237	2.5-1.5	Copper Nickel Silicon Alloy	Tin



2.8 DUCON CAVITY PLUGS*

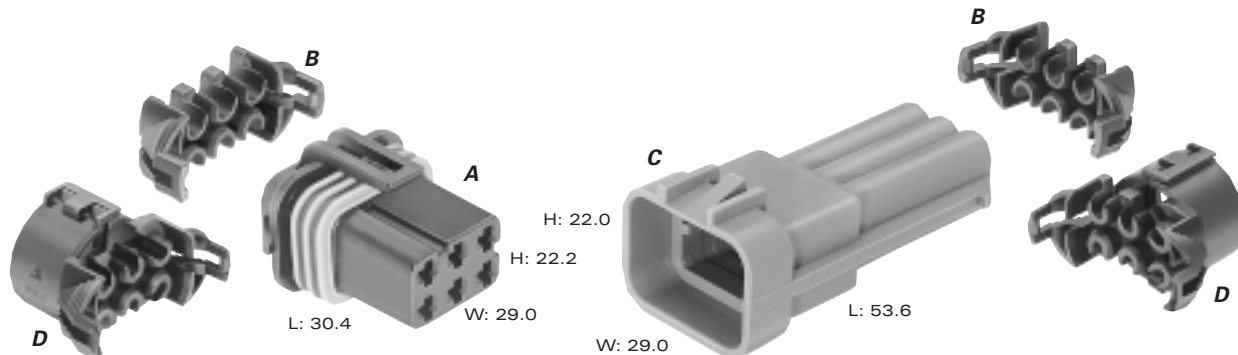
Part #	Cavity Inside Diameter	Material	Color
15337197	5.2mm	Silicone	White
10730124	5.2mm	Silicone	Green

*Cavity plugs seal unused female and male cavities.

SECTION NOTES:

- Contact your regional support representative at the number listed below.
- Ducon Connection Systems have been validated using DIN Cable Standards.

<http://delphi.com/products/connect>



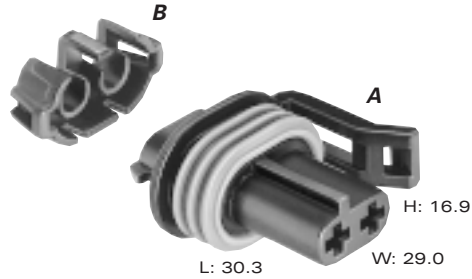
Total Mated Length: 67.0mm

A PART NO: 15344052
 DESCRIPTION: Connector Assembly 6F
 SIZE: 30.4L x 22.2H x 29.0W
 COLOR: Black
 MATERIAL: PA6
 TERMINALS: See Page 206

C PART NO: 12185126
 DESCRIPTION: Connector 6M (Clip Slot)
 SIZE: 53.6L x 22.0H x 29.0W
 COLOR: Gray
 MATERIAL: PA6
 TERMINALS: See Page 207

B PART NO: 12185000
 DESCRIPTION: TPA
 NUMBER REQ: 2
 COLOR: Black
 MATERIAL: PA6

D PART NO: 10717815 (Optional)
 DESCRIPTION: Conduit TPA Cap
 NUMBER REQ: 2
 COLOR: Black
 MATERIAL: PA6



A PART NO: **12185026*(Black)**
15344040*(Blue)
15344042*(White)

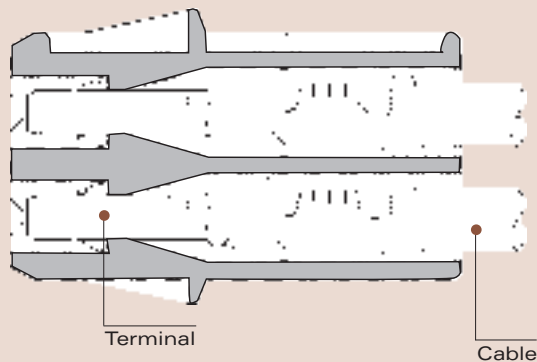
DESCRIPTION: Connector 2F
SIZE: 30.3L x 16.9H x 29.0W
MATERIAL: PA6
TERMINALS: See Page 206
*DIFFERENT INDEXING FEATURES.

B PART NO: **12185027**

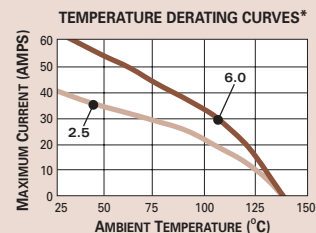
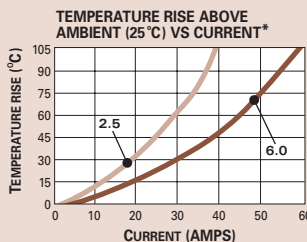
DESCRIPTION: TPA
COLOR: Black
MATERIAL: PA6



Unsealed System Application Information



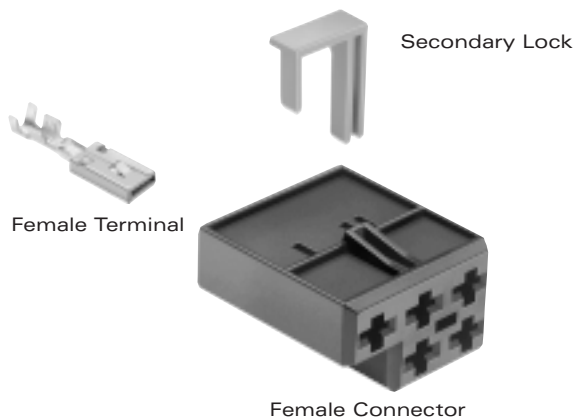
4.8 SERIES TERMINALS-Tin Plated



CABLE RANGE (mm²): **0.5-6.0**
 CURRENT RANGE (AMPS): **45**
 TEMP RANGE °C: **-40 to 135**
 RESISTANCE: **<10mΩ@20mV**

VOLTAGE DROP: **<4.0mV/amp**
 CENTERLINE SPACING (mm): **6.8**
 BLADE WIDTH (mm): **4.8**

*The test data are based on single circuits in free space and were generated using a "Lumped Resistance" model. This model does not account for all of the variables that would be present in an actual application. For actual product performance, contact your regional support representative at the number listed below.

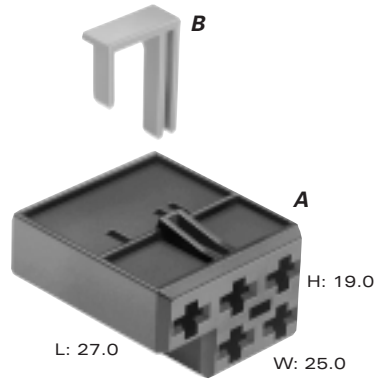


4.8 FEMALE TERMINALS UNSEALED

Part #	Cable Range (mm ²)	Material	Plating
12185227	1.0-0.5	Copper Nickel Silicon Alloy	Tin
12147596	2.5-1.5	Copper Nickel Silicon Alloy	Tin
12147597	6.0-4.0	Copper Nickel Silicon Alloy	Tin

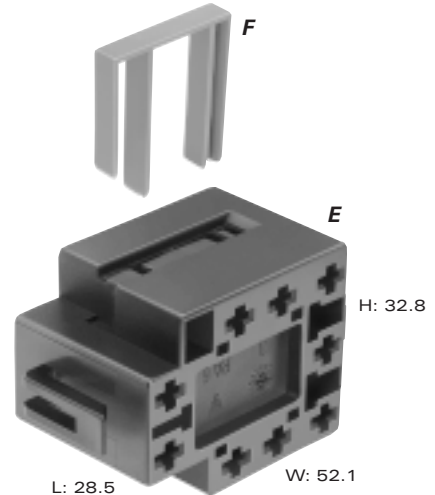
4.8 FEMALE CONNECTORS UNSEALED

# Cavities	Connector	Color	Material	Secondary Lock
5	12147099	Black	PA6	12147098
6	15344072	Black	PA6	10717827
9	10740403	Black	PA6	10740404
12	10717711	Black	PA6	10717826



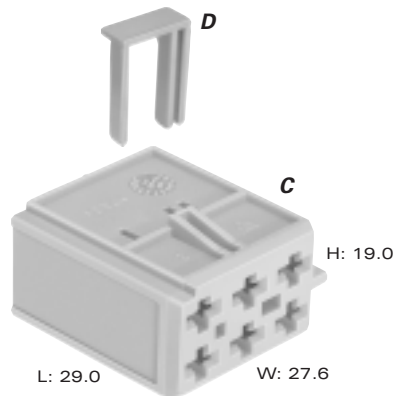
A PART NO: 12147099
 DESCRIPTION: Connector 5F
 SIZE: 27.0L x 19.0H x 25.0W
 COLOR: Black
 MATERIAL: PA6
 TERMINALS: See Page 210
 TYPICAL APP: Blower Switch, Heater

B PART NO: 12147098
 DESCRIPTION: Secondary Lock
 COLOR: Gray
 MATERIAL: PA6 15% GF



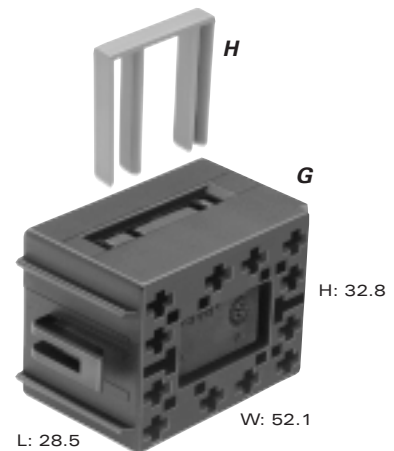
E PART NO: 10740403
 DESCRIPTION: Connector 9F
 SIZE: 28.5L x 32.8H x 52.1W
 COLOR: Black
 MATERIAL: PA6
 TERMINALS: See Page 210
 TYPICAL APP: Blower Switch

F PART NO: 10740404
 DESCRIPTION: Secondary Lock
 COLOR: Gray
 MATERIAL: PA6 15% GF



C PART NO: 15344072
 DESCRIPTION: Connector 6F
 SIZE: 29.0L x 19.0H x 27.6W
 COLOR: Blue
 MATERIAL: PA6
 TERMINALS: See Page 210
 TYPICAL APP: Blower Switch, Heater

D PART NO: 10717827
 DESCRIPTION: Secondary Lock
 COLOR: Gray
 MATERIAL: PA6 15% GF

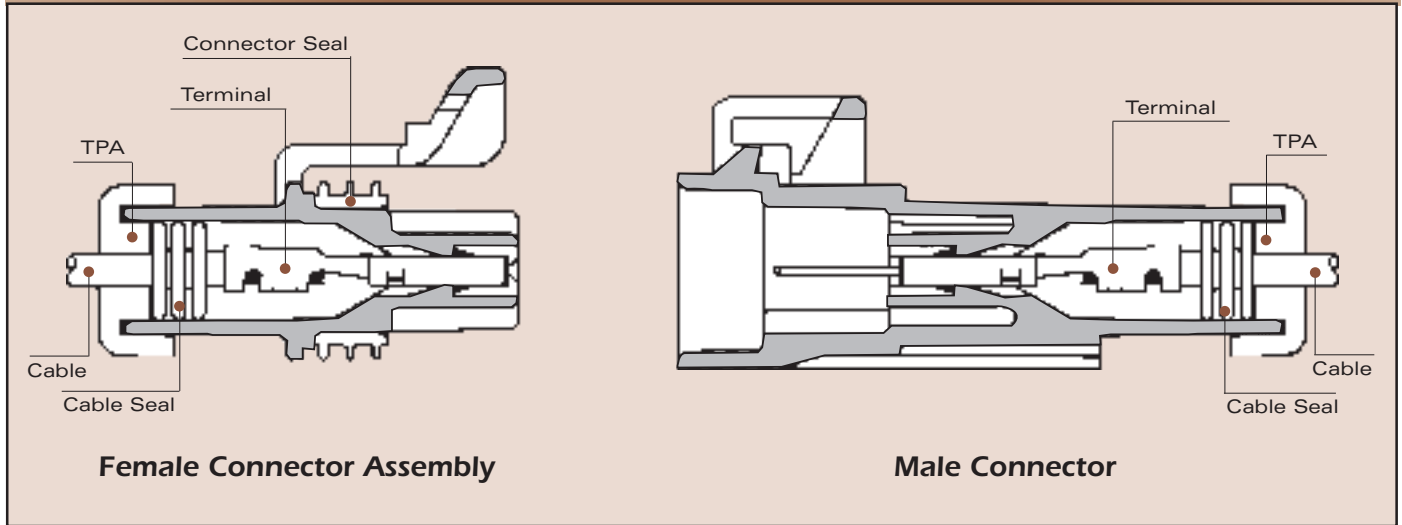


G PART NO: 10717711
 DESCRIPTION: Connector 12F
 SIZE: 28.5L x 32.8H x 52.1W
 COLOR: Black
 MATERIAL: PA6
 TERMINALS: See Page 210
 TYPICAL APP: Blower Switch

H PART NO: 10717826
 DESCRIPTION: Secondary Lock
 COLOR: Gray
 MATERIAL: PA6 15% GF



Cross Sectional View



TPA
(Terminal Position Assurance)



Female Terminal



Female Connector



6.3 FEMALE TERMINALS SEALED

Part #	Cable Range (mm ²)	Material	Plating
12147473	2.5-1.5	Copper Nickel Silicon Alloy	Tin
12147474	6.0-4.0	Copper Nickel Silicon Alloy	Tin

6.3 FEMALE CONNECTOR ASSEMBLY SEALED

# Cavities	Connector	Color	Material	TPA
2	12147067	Gray	PA66	12147060

6.3 DUCON CABLE SEALS

Reel Part #	Loose Part #	Cable Diameter	Material	Color
10730240	10720847	2.40-1.60	Silicone	Lt. Brown
12059259	10720844	2.90-2.00	Silicone	Dk. Red
10730241	10738785	3.80-2.80	Silicone	Gray
15344032	10738786	4.50-3.60	Silicone	Blue



<http://delphi.com/products/connect>

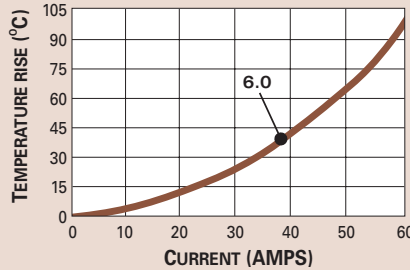


Sealed System Application Information

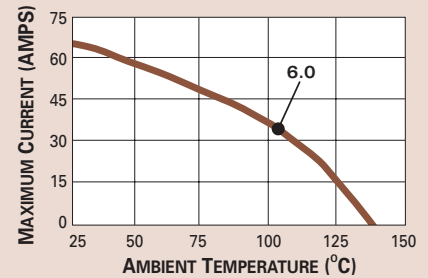
CABLE RANGE (mm²): 1.5-6.0
CURRENT RANGE (AMPS): 55
TEMP RANGE °C: -40 to 135
RESISTANCE: <10mΩ@20mV
VOLTAGE DROP: <4.0mV/amp
CENTERLINE SPACING (mm): 10.8
BLADE WIDTH (mm): 6.3

6.3 SERIES TERMINALS-Tin Plated

TEMPERATURE RISE ABOVE AMBIENT (25°C) VS CURRENT*



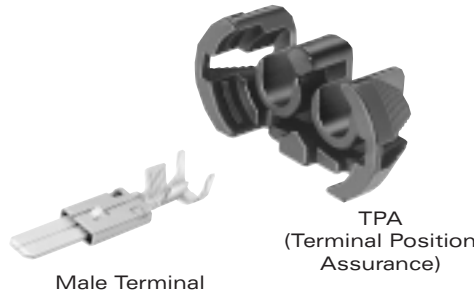
TEMPERATURE DERATING CURVES*



*The test data are based on single circuits in free space and were generated using a "Lumped Resistance" model. This model does not account for all of the variables that would be present in an actual application. For actual product performance, contact your regional support representative at the number listed below.



Male Connector



Male Terminal

TPA
(Terminal Position Assurance)



6.3 MALE CONNECTOR SEALED

# Cavities	Connector	Color	Material	TPA
2	15344054	Black	PA66	12147060

6.3 MALE TERMINALS SEALED

Part #	Cable Range (mm ²)	Material	Plating
15344632	2.5-1.5	Copper Nickel Silicon Alloy	Tin
15344631	6.0-4.0	Copper Nickel Silicon Alloy	Tin



6.3 DUCON CAVITY PLUG*

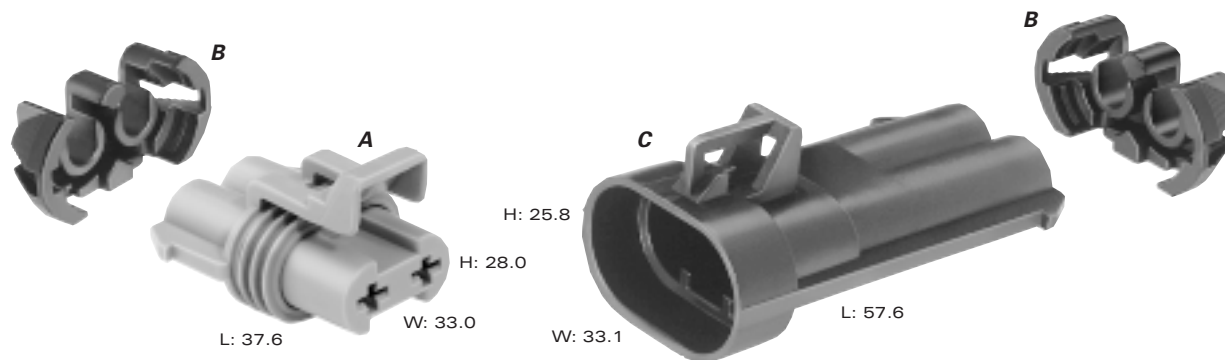
Part #	Cavity Inside Diameter	Material	Color
12059255	9.8mm	Silicone	Green

*Cavity plugs seal unused female and male cavities.

SECTION NOTES:

Contact your regional support representative at the number listed below.

- Ducon Connection Systems have been validated using DIN Cable Standards.



Total Mated Length: 80.0mm

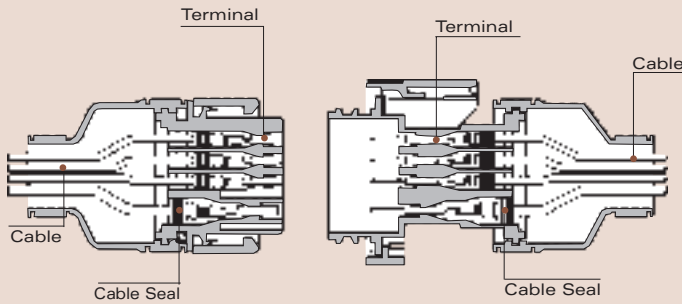
A PART NO: 12147067
 DESCRIPTION: Connector 2F Assembly
 SIZE: 37.6L x 28.0H x 33.0W
 COLOR: Gray
 MATERIAL: PA66
 TERMINALS: See Page 212

C PART NO: 15344054
 DESCRIPTION: Connector 2M (Clip Slot)
 SIZE: 57.6L x 25.8H x 33.1W
 COLOR: Black
 MATERIAL: PA66
 TERMINALS: See Page 213

B PART NO: 12147060
 DESCRIPTION: TPA
 NUMBER REQ: 2
 COLOR: Black
 MATERIAL: PA6



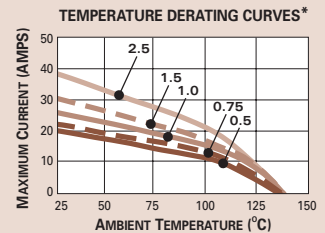
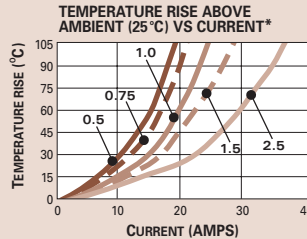
Sealed System Application Information



Female Connector Assembly

Male Connector

1.5 SERIES TERMINALS-Tin Plated



CABLE RANGE (mm²): 0.5-1.0
 CURRENT RANGE (AMPS): 25
 TEMP RANGE °C: -40 to 135
 RESISTANCE: <10mΩ@20mV

VOLTAGE DROP: <4.0mV/amp
 CENTERLINE SPACING (mm):
 Connector Dependent
 BLADE WIDTH (mm): 1.5

*The test data are based on single circuits in free space and were generated using a "Lumped Resistance" model. This model does not account for all of the variables that would be present in an actual application. For actual product performance, contact your regional support representative at the number listed below.



1.5 FEMALE TERMINALS SEALED

Part #	Cable Range (mm ²)	Material	Plating
12158097	1.0-0.5	Copper Nickel Silicon Alloy	Tin
10717964	2.5-1.5	Copper Nickel Silicon Alloy	Tin



2.8 FEMALE TERMINALS SEALED

Part #	Cable Range (mm ²)	Material	Plating
12158098	1.0-0.5	Copper Nickel Silicon Alloy	Tin
12185008	2.5-1.5	Copper Nickel Silicon Alloy	Tin



4.8 FEMALE TERMINALS SEALED

Part #	Cable Range (mm ²)	Material	Plating
12185009	1.0-0.5	Copper Nickel Silicon Alloy	Tin
12185550	2.5-1.5	Copper Nickel Silicon Alloy	Tin
10717927	6.0-4.0	Copper Nickel Silicon Alloy	Tin



1.5 & 2.8 DUCON CABLE SEALS

Reel Part #	Loose Part #	Cable Diameter	Material	Color
12089442	12048087	2.00-1.20	Silicone	Blue
10720769	15363981	2.40-1.60	Silicone	White
15363992	12048086	2.90-2.00	Silicone	Dk. Red

Conduit Cover (optional)



Cable Seals

Female Terminals

Secondary Lock

Female Connector

MIXED FEMALE CONNECTOR ASSEMBLIES SEALED

# Cavities	Connector	Color	Material	Secondary Lock
15	15344069	Orange	PA66	12185005
20	12158095	Blue	PA66	12158096



4.8 DUCON CABLE SEALS

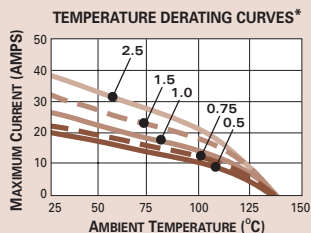
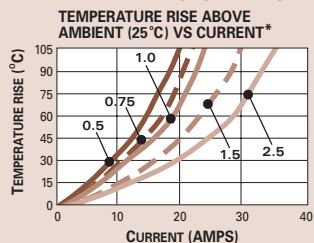
Reel Part #	Loose Part #	Cable Diameter	Material	Color
12052931	12052930	2.00-1.20	Silicone	Yellow
12048433	12048441	2.90-2.00	Silicone	White
12052452	12048442	3.80-2.80	Silicone	Red
12052453	12048443	4.50-3.80	Silicone	Violet

<http://delphi.com/products/connect>



Sealed System Application Information

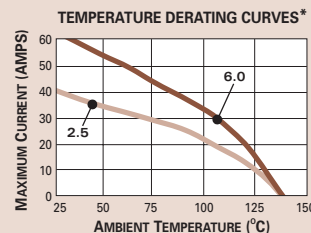
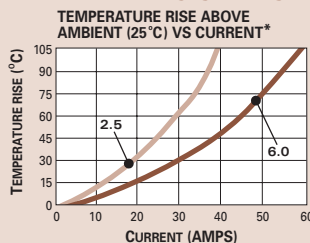
2.8 SERIES TERMINALS-Tin Plated



CABLE RANGE (mm²): 0.5-1.0
 CURRENT RANGE (AMPS): 33
 TEMP RANGE °C: -40 to 135
 RESISTANCE: <10mΩ@20mV

VOLTAGE DROP: <4.0mV/amp
 CENTERLINE SPACING (mm):
 Connector Dependent
 BLADE WIDTH (mm): 2.8

4.8 SERIES TERMINALS-Tin Plated

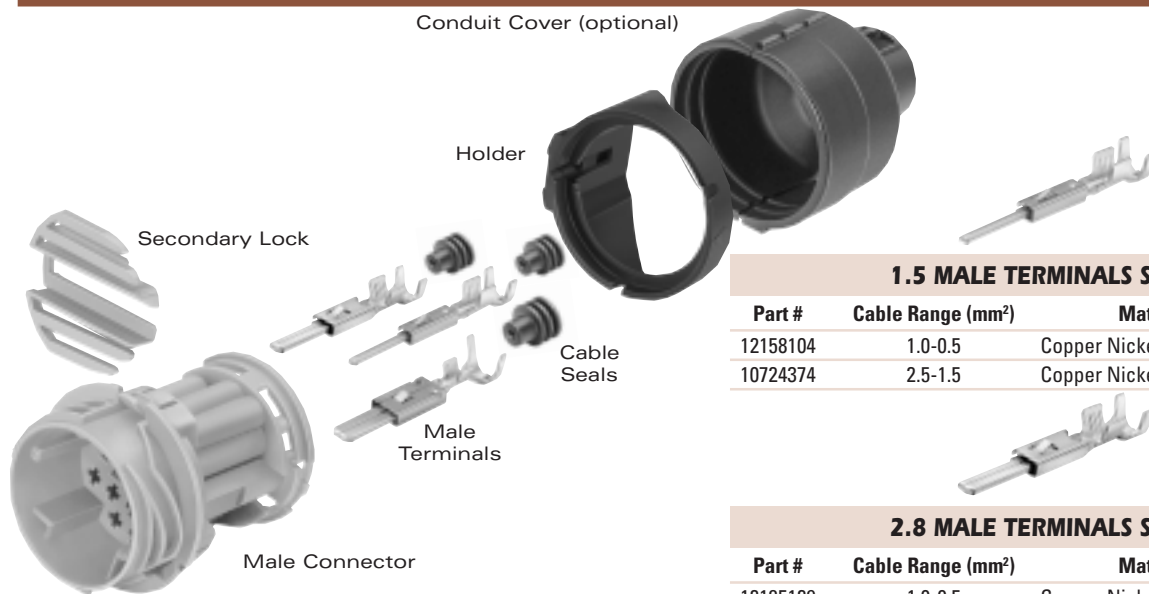


CABLE RANGE (mm²): 0.5-2.5
 CURRENT RANGE (AMPS): 45
 TEMP RANGE °C: -40 to 135
 RESISTANCE: <10mΩ@20mV

VOLTAGE DROP: <4.0mV/amp
 CENTERLINE SPACING (mm):
 Connector Dependent
 BLADE WIDTH (mm): 4.8

*The test data are based on single circuits in free space and were generated using a "Lumped Resistance" model. This model does not account for all of the variables that would be present in an actual application. For actual product performance, contact your regional support representative at the number listed below.

Conduit Cover (optional)



1.5 MALE TERMINALS SEALED

Part #	Cable Range (mm ²)	Material	Plating
12158104	1.0-0.5	Copper Nickel Silicon Alloy	Tin
10724374	2.5-1.5	Copper Nickel Silicon Alloy	Tin

2.8 MALE TERMINALS SEALED

Part #	Cable Range (mm ²)	Material	Plating
12185129	1.0-0.5	Copper Nickel Silicon Alloy	Tin
12185237	2.5-1.5	Copper Nickel Silicon Alloy	Tin

4.8 MALE TERMINALS SEALED

Part #	Cable Range (mm ²)	Material	Plating
12185235	1.0-0.5	Copper Nickel Silicon Alloy	Tin
12185236	2.5-1.5	Copper Nickel Silicon Alloy	Tin
10724435	6.0-4.0	Copper Nickel Silicon Alloy	Tin

MIXED MALE CONNECTORS SEALED

# Cavities	Connector	Color	Material	Secondary Lock
15	10740396	Orange	PA66	12185005
20	10717689	Blue	PA66	12158096

1.5 & 2.8



4.8



1.5 & 2.8 DUCON CAVITY PLUGS*

Part #	Cavity Inside Diameter	Material	Color
15337197	5.2mm	Silicone	White
10730124	5.2mm	Silicone	Green

4.8 DUCON CAVITY PLUG*

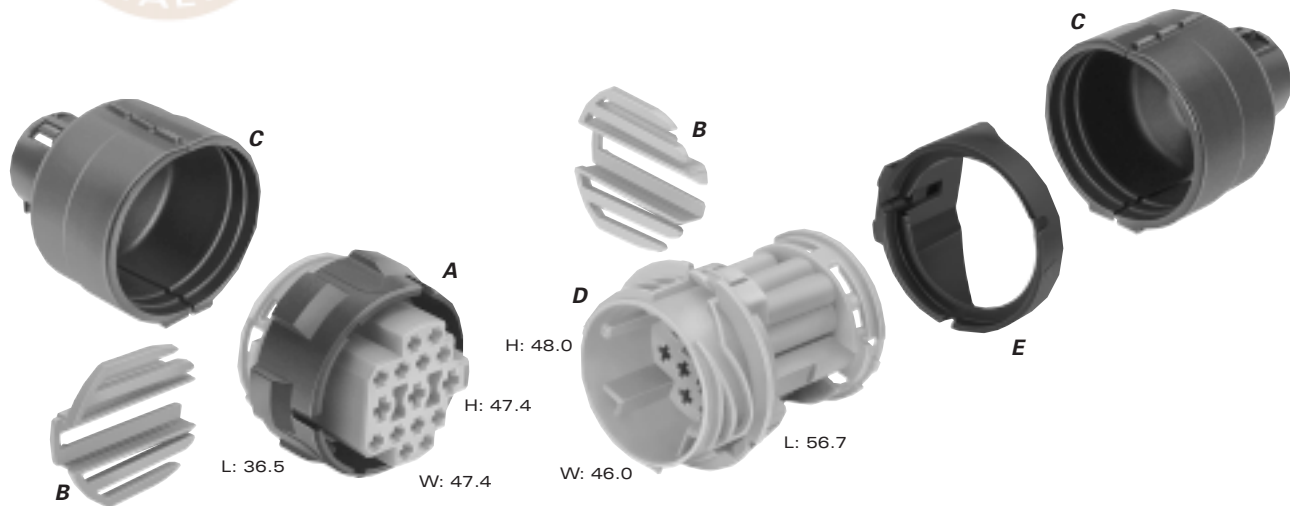
12066082	8.5mm	Silicone	Green
----------	-------	----------	-------

*Cavity plugs seal unused female and male cavities.

SECTION NOTES:

- Contact your regional support representative at the number listed below.
- Ducon Connection Systems have been validated using DIN Cable Standards.

<http://delphi.com/products/connect>



Total Mated Length: 148.0mm

A PART NO: 15344069 (Orange)
 DESCRIPTION: Connector 15F
PART NO: 12185004 (Green)
 DESCRIPTION: Connector 11F
PART NO: 15344061 (Brown)
 DESCRIPTION: Connector 6F
 SIZE: 36.5L x 47.4H x 47.4W
 MATERIAL: PA66
 TERMINALS: See Page 216
 SEALS/PLUGS: See Page 216

D PART NO: 10740396 (Orange)
 DESCRIPTION: Connector 15M
PART NO: 12185278 (Green)
 DESCRIPTION: Connector 11M
PART NO: 15344060 (Brown)
 DESCRIPTION: Connector 6M
 SIZE: 56.7L x 48.0H x 46.0W
 MATERIAL: PA66
 TERMINALS: See Page 217

B PART NO: 12185005
 DESCRIPTION: Secondary Lock
 NUMBER REQ: 2
 COLOR: Gray
 MATERIAL: PA6 15% GF

E PART NO: 12185277 (Optional)
 DESCRIPTION: Holder
 COLOR: Black
 MATERIAL: PA6 15% GF
 NOTE: Other holders available.

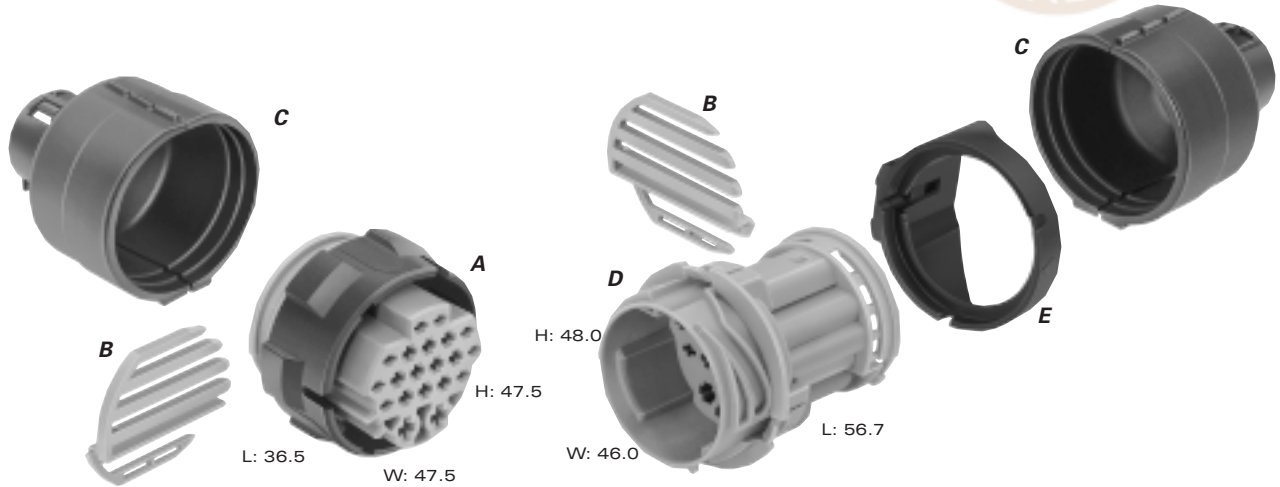
C PART NO: 12197134 (Optional)
 DESCRIPTION: Cover
 NUMBER REQ: 2
 COLOR: Black
 MATERIAL: PA6
 NOTE: Optional 90° Cover Available.

KEY:

- ◇ 2.8 SERIES
- * 4.8 SERIES

Mixed connectors feature a combination of different terminal cavities, as indicated by the key.





Total Mated Length: 148.0mm

A PART NO: 12158095
 DESCRIPTION: Connector 20F
 SIZE: 36.5L x 47.5H x 47.5W
 COLOR: Blue
 MATERIAL: PA66
 TERMINALS: See Page 216
 SEALS/PLUGS: See Page 216

D PART NO: 10717689
 DESCRIPTION: Connector 20M
 SIZE: 56.7L x 48.0H x 46.0W
 COLOR: Blue
 MATERIAL: PA66
 TERMINALS: See Page 217
 SEALS/PLUGS: See Page 217

B PART NO: 12158096
 DESCRIPTION: Secondary Lock
 NUMBER REQ: 2
 COLOR: Gray
 MATERIAL: PA6 15% GF

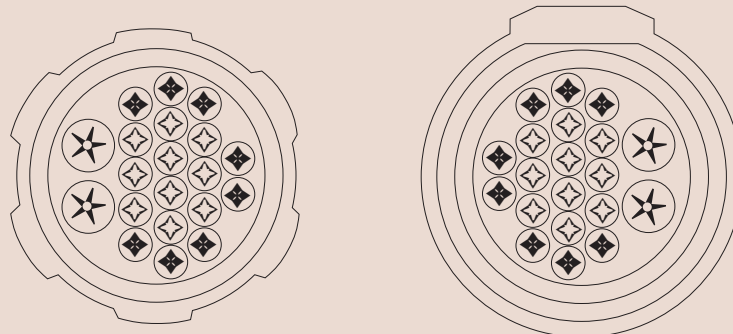
E PART NO: 12185277 (Optional)
 DESCRIPTION: Holder
 COLOR: Black
 MATERIAL: PA6 15% GF
 NOTE: Other holders available.

C PART NO: 12197134 (Optional)
 DESCRIPTION: Cover
 NUMBER REQ: 2
 COLOR: Black
 MATERIAL: PA6
 NOTE: Optional 90° Cover Available.

KEY:

- ◆ 1.5 SERIES
- ◇ 2.8 SERIES
- * 4.8 SERIES

Mixed connectors feature a combination of different terminal cavities, as indicated by the key.



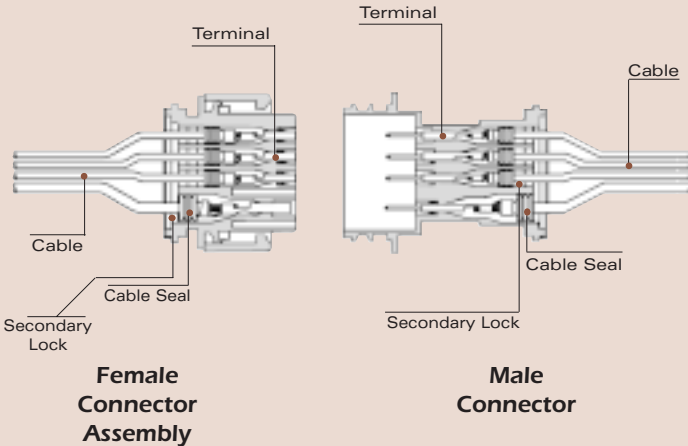


Door connectors provide environmental sealing in two ways:

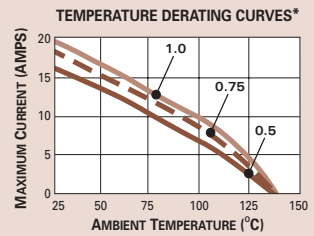
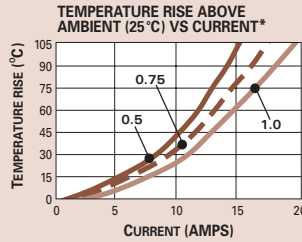
1. Using sealed terminal systems.
2. Using unsealed terminal systems and protective grommets.

Contact your regional support representative for assistance in choosing the proper design for your application.

Sealed System Application Information



0.8 SERIES TERMINALS-Tin Plated



CABLE RANGE (mm²): 0.5-1.0
 CURRENT RANGE (AMPS): 0-15
 TEMP RANGE °C: -40 to 135
 RESISTANCE: <10mΩ@20mV

VOLTAGE DROP: <4.0mV/amp
 CENTERLINE SPACING (mm): 3.0
 BLADE WIDTH (mm): 0.8

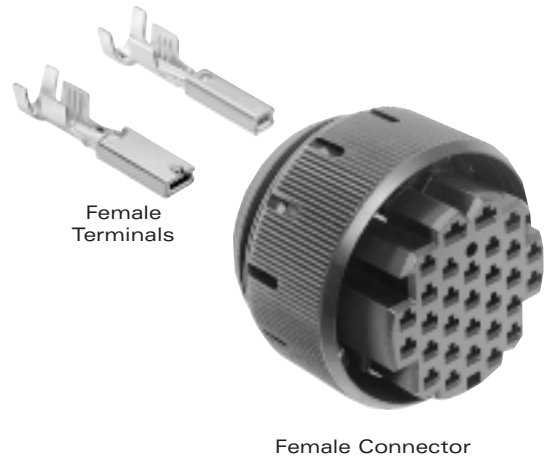
*The test data are based on single circuits in free space and were generated using a "Lumped Resistance" model. This model does not account for all of the variables that would be present in an actual application. For actual product performance, contact your regional support representative at the number listed below.

0.8 FEMALE TERMINAL UNSEALED

Part #	Cable Range (mm ²)	Material	Plating
12131423	1.0-0.5	Copper Nickel Silicon Alloy	Tin

0.8 FEMALE TERMINAL SEALED

Part #	Cable Range (mm ²)	Material	Plating
10717928	1.0-0.5	Copper Nickel Silicon Alloy	Tin



1.5 FEMALE TERMINALS UNSEALED

Part #	Cable Range (mm ²)	Material	Plating
12147302	1.0-0.5	Copper Nickel Silicon Alloy	Tin
12147303	2.5-1.5	Copper Nickel Silicon Alloy	Tin

2.8 FEMALE TERMINALS UNSEALED

Part #	Cable Range (mm ²)	Material	Plating
12147451	1.0-0.5	Copper Nickel Silicon Alloy	Tin
12147451	2.5-1.5	Copper Nickel Silicon Alloy	Tin

0.8 DUCON CABLE SEAL

Part #	Cable Range (mm ²)	Material	Color
15344324	2.1-1.2	Silicon	Dk. Red

MIXED FEMALE CONNECTORS SEALED

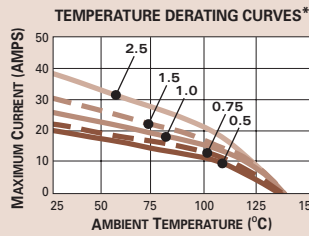
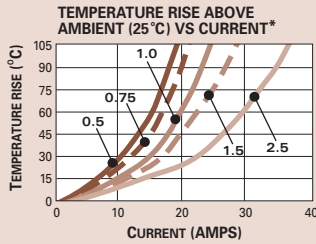
# Cavities	Connector	Color	Material
30	12147161	Black	PA66
40	15327160	Black	PA66 15% GF

<http://delphi.com/products/connect>



Sealed System Application Information

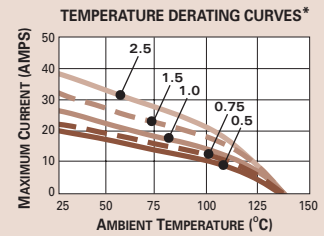
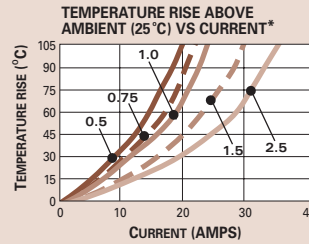
1.5 SERIES TERMINALS-Tin Plated



CABLE RANGE (mm²): 0.5-1.0
 CURRENT RANGE (AMPS): 25
 TEMP RANGE °C: -40 to 135
 RESISTANCE: <10mΩ@20mV

VOLTAGE DROP: <4.0mV/amp
 CENTERLINE SPACING (mm):
 Connector Dependent
 BLADE WIDTH (mm): 1.5

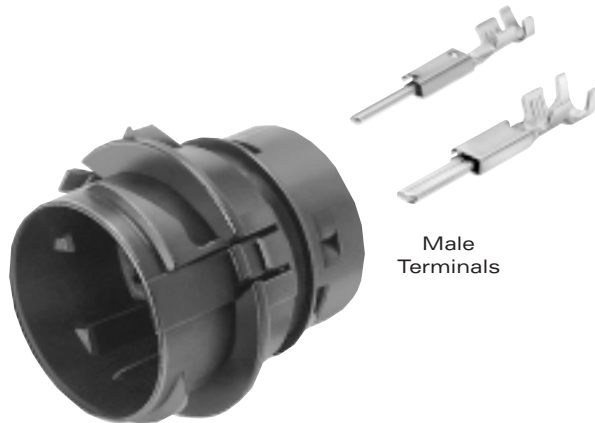
2.8 SERIES TERMINALS-Tin Plated



CABLE RANGE (mm²): 0.5-2.5
 CURRENT RANGE (AMPS): 33
 TEMP RANGE °C: -40 to 135
 RESISTANCE: <10mΩ@20mV

VOLTAGE DROP: <4.0mV/amp
 CENTERLINE SPACING (mm):
 Connector Dependent
 BLADE WIDTH (mm): 2.8

*The test data are based on single circuits in free space and were generated using a "Lumped Resistance" model. This model does not account for all of the variables that would be present in an actual application. For actual product performance, contact your regional support representatives at the number listed below.



Male Connector

Male Terminals

0.8 MALE TERMINAL UNSEALED

Part #	Cable Range (mm ²)	Material	Plating
15327159	1.0-0.5	Copper Nickel Silicon Alloy	Tin

0.8 MALE TERMINAL SEALED

Part #	Cable Range (mm ²)	Material	Plating
10724459	1.0-0.5	Copper Nickel Silicon Alloy	Tin

1.5 MALE TERMINALS UNSEALED

Part #	Cable Range (mm ²)	Material	Plating
12147299	1.0-0.5	Copper Nickel Silicon Alloy	Tin
12147300	2.5-1.5	Copper Nickel Silicon Alloy	Tin

2.8 MALE TERMINALS UNSEALED

Part #	Cable Range (mm ²)	Material	Plating
12147400	1.0-0.5	Copper Nickel Silicon Alloy	Tin
12147301	2.5-1.5	Copper Nickel Silicon Alloy	Tin

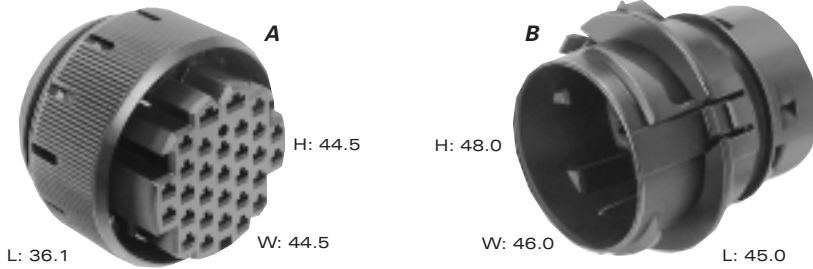
MIXED MALE CONNECTORS SEALED

# Cavities	Connector	Color	Material
30	12147066	Black	PA66
40	10730244	Black	PA66 15% GF

0.8 DUCON CABLE SEAL

Part #	Cable Range (mm ²)	Material	Color
15344324	2.1-1.2	Silicon	Dk. Red

<http://delphi.com/products/connect>



Total Mated Length: 59.6mm

A PART NO: 12147161
 DESCRIPTION: 1.5/2.8 Connector 30F
 SIZE: 36.1L x 44.5H x 44.5W
 COLOR: Black
 MATERIAL: PA66
 TERMINALS: See Page 220

B PART NO: 12147066
 DESCRIPTION: 1.5/2.8 Connector 30M
 SIZE: 45.0L x 48.0H x 46.0W
 COLOR: Black
 MATERIAL: PA66
 TERMINALS: See Page 221



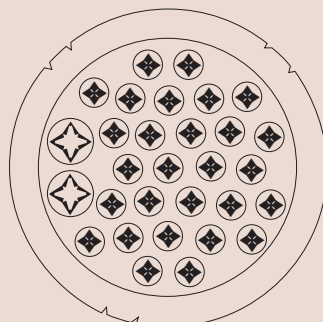
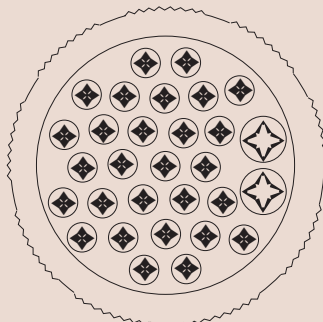
SECTION NOTES:

- Contact your regional support representative at the number listed below.
- Door grommets available from manufacturer.

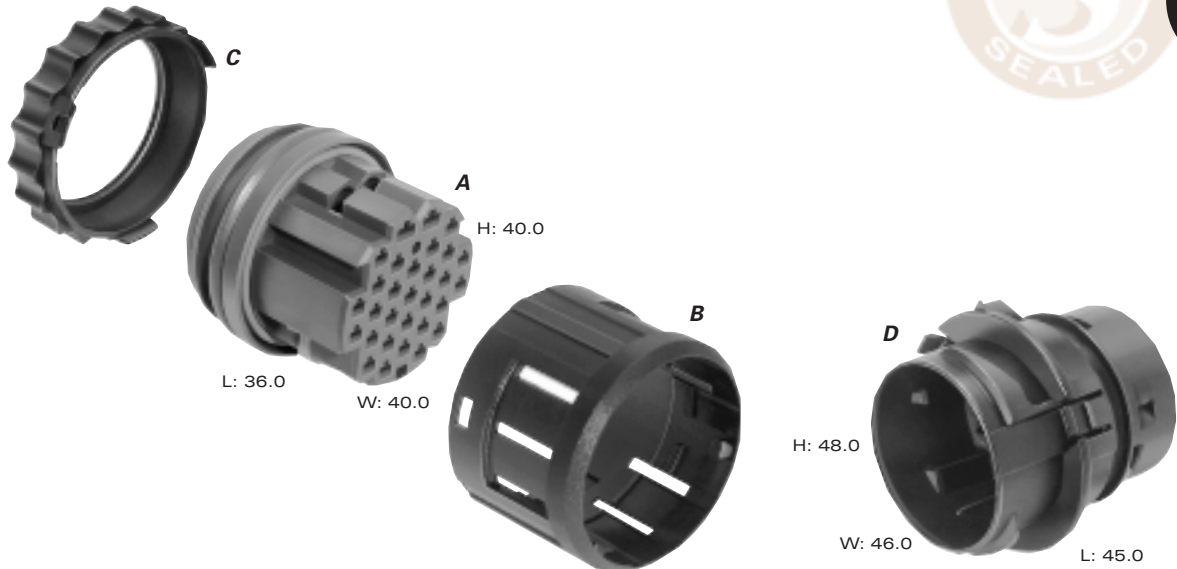
KEY:

- ◆ 1.5 SERIES
- ◇ 2.8 SERIES

Mixed connectors feature a combination of different terminal cavities, as indicated by the key.



<http://delphi.com/products/connect>



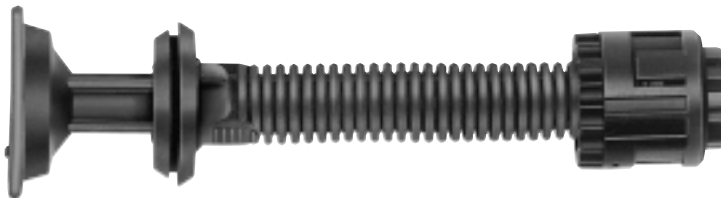
Total Mated Length: 71.6mm

A PART NO: 12185088
 DESCRIPTION: 1.5/2.8 Connector 30F
 SIZE: 36.0L x 40.0H x 40.0W
 COLOR: Black
 MATERIAL: PA66
 TERMINALS: See Page 220

D PART NO: 12147066
 DESCRIPTION: 1.5/2.8 Connector 30M
 SIZE: 45.0L x 48.0H x 46.0W
 COLOR: Black
 MATERIAL: PA66
 TERMINALS: See Page 221

B PART NO: 12185079
 DESCRIPTION: Ring
 COLOR: Black
 MATERIAL: PA6 15% GF

C PART NO: 12185082
 DESCRIPTION: Connector Ring
 COLOR: Black
 MATERIAL: PA6 15% GF



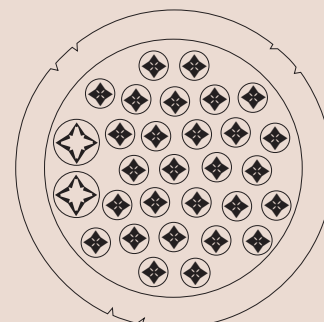
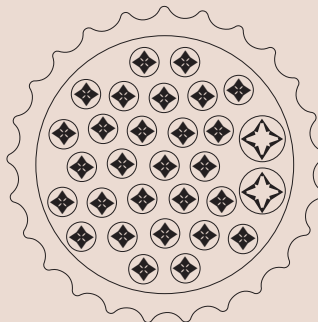
SECTION NOTES:

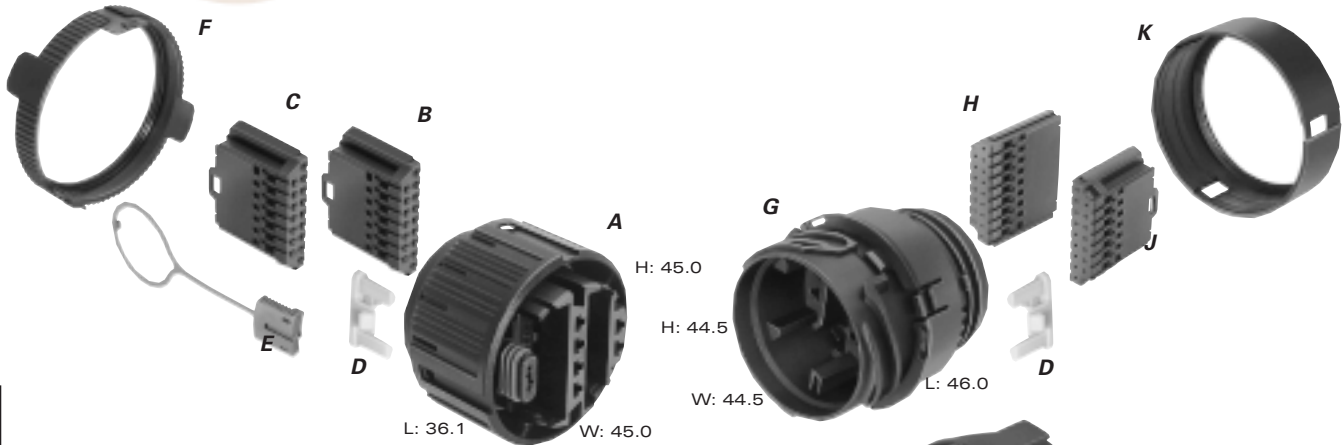
- Contact your regional support representative at the number listed below.
- Door grommets available from manufacturer.

KEY:

- ◆ 1.5 SERIES
- ◇ 2.8 SERIES

Mixed connectors feature a combination of different terminal cavities, as indicated by the key.





A PART NO: 15327160
 DESCRIPTION: Connector 40F (8,16,16)
 SIZE: 36.1L x 45.0H x 45.0W
 COLOR: Black
 MATERIAL: PA66 15% GF
 TERMINALS: .8F, 2.8F, See Page 220
 SEALS: See Page 220

B PART NO: 15327654
 DESCRIPTION: Connector Module1 16F
 COLOR: Black
 MATERIAL: PA66

C PART NO: 15327655
 DESCRIPTION: Connector Module2 16F
 COLOR: Black
 MATERIAL: PA66

D PART NO: 10717849
 DESCRIPTION: TPA
 NUMBER REQ: 2
 COLOR: Yellow
 MATERIAL: PA66

E PART NO: 10717837
 DESCRIPTION: CPA
 COLOR: Red
 MATERIAL: PA66

F PART NO: 15327164
 DESCRIPTION: Connector Ring
 COLOR: Black
 MATERIAL: PA66 15% GF

G PART NO: 10730244
 DESCRIPTION: Connector 40M (8,16,16)
 SIZE: 46.0L x 44.5H x 44.5W
 COLOR: Black
 MATERIAL: PA66 15% GF
 TERMINALS: .8M, 2.8M, See Page 221
 SEALS: See Page 221

H PART NO: 15327154
 DESCRIPTION: Connector Module1 16M
 COLOR: Black
 MATERIAL: PA66

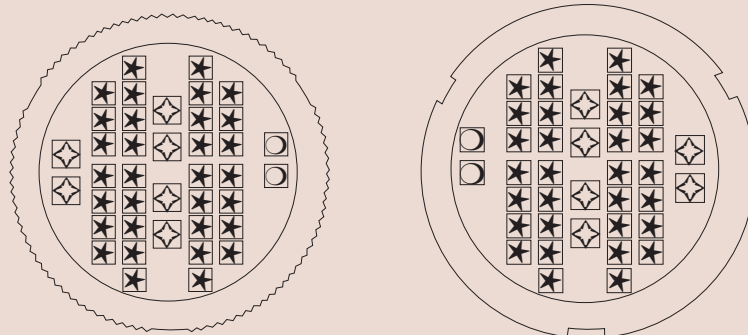
J PART NO: 15327155
 DESCRIPTION: Connector Module2 16M
 COLOR: Black
 MATERIAL: PA66

K PART NO: 15327153
 DESCRIPTION: Cover
 COLOR: Black
 MATERIAL: PA66 15% GF

L PART NO: 10728148
 DESCRIPTION: TMS Cover
 COLOR: Black
 MATERIAL: PA66 15% GF

KEY: ○ 0.8 SERIES(Sealed)
 ✱ 0.8 SERIES(Unsealed)
 ◇ 2.8 SERIES

Mixed connectors feature a combination of different terminal cavities, as indicated by the key.



<http://delphi.com/products/connect>

Special Products

Lamp Sockets, Splice Savers, Weather-Pack, VF Connections & DS Connections

Lamp Socket Features

- Advanced bulb to terminal interface technology
- Accommodates a wide variety of bulbs—B1, C2 bayonet, W2, W3 wedge, H4 and H7 with GT280 interface
- Available sealed or unsealed systems
- Multiple focal lengths
- Right angle or axial mounting features with easy assembly and release provisions

Weather-Pack Features

- Connector Position Assurance (CPA)
- Terminal Position Assurance (TPA)
- 20 Amps continuous maximum current rating
- Sealed system
- Pin and Sleeve configuration
- Dual locking tabs on terminals
- Low energy, low voltage capability
- -40°C to 125°C temperature range

VF Series Features

- Accommodates a wide variety of devices
- Small overall dimensions
- Terminal Position Assurance (TPA)
- Connector Position Assurance (CPA)

DS Series Features

- Fuel injector applications
- High sealing protection
- Reliable electrical interface
- Secure locking mechanism

Splice Saver Features

- Eliminates the need for solder
- Flexible configuration
- Uses 280 Metri-Pack or 150 GT terminals
- Uses ISO or SAE compatible terminals
- Low profile connector with cap lock
- Available in sealed/unsealed and grounded/non-grounded versions



Lamp Sockets are a comprehensive and diverse product line featuring sophisticated connection systems technology. Available connection systems accommodate virtually every size and type of light bulb, as well as all varieties of bulb mounting features.



Seal



Wedge Base

Insert

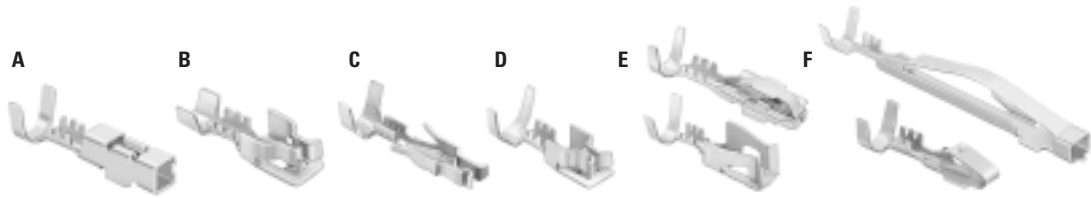
LAMP SOCKET APPLICATION GUIDELINES

Primary Use	Application	Socket Style	Bulb Base Type	Bulb Size	Typical Lamp Number	Part Number(s)	Page Number	Description
Stop, Turn, Backup and Cornering Lights	Sealed	Right Angle	W-3 Wedge	S-8	3156	12160393	200	Single Filament
Stop/Tail, Park/Turn, Backup Lights and Cornering Lights	Sealed	Right Angle	W-3 Wedge	S-8	3057	12160394, 12160395	200	Dual Filament
Stop/Tail, Park/Turn, Backup Lights and Cornering Lights	Sealed	Axial	W-3 Wedge	S-8	3057	12191243, 12092379	201	Dual Filament
Glove Box, Ash Tray Instrument Illumination and Courtesy Lights	Unsealed	Axial	W-2 Wedge	T-3 1/4	194	12162223, 12059952	202	Single Filament
Side Marker Lamps, Backup and Center High Mounted Stop Lights	Sealed	Axial	W-2 Wedge	T-3 1/4	168	15317651, 12110053	203	Single Filament
	Sealed	Axial	W-2 Wedge	T5	912	12110053		
Side Marker Lamps, Backup and Center High Mounted Stop Lights	Sealed	Right Angle	W-2 Wedge	T-3 1/4	168	12146418	203	Single Filament
Stop, Turn, Backup and Cornering Lights	Sealed	Right Angle	B-1 Bayonet	S-8	1156	12160386	204	Single Filament
Stop/Tail, Park/Turn, Backup Lights and Cornering Lights	Sealed	Right Angle	C-2 Bayonet	S-8	2057	12160390, 12160392	204	Dual Filament

LAMP SOCKET BASES

Part Number	Application	Description	Color	Material	TPA	Insert	Seal
12160393	Sealed	W-3 Right Angle Wedge Base	Lt. Gray	PA66 HS IM	-	12177161	12129909
12160394	Sealed	W-3 Right Angle Wedge Base	Natural	PA66 HS IM	-	12177163	12129909
12160395	Sealed	W-3 Right Angle Wedge Base	Md. Gray	PA66 HS IM	-	12177163	12129909
12191243	Sealed	W-3 Axial Wedge Base	Dk. Gray	PA66 HS IM 14% GF	15305473	-	12129909 12020720
12092379	Sealed	W-3 Axial Wedge Base	Natural	PA66 MF HS	15305473	-	12129909 12020720
12162223	Unsealed	W-2 Axial Wedge Base	Clear	PC	12052490	-	-
12059952	Unsealed	W-2 Axial Wedge Base	Black	PA6	15324722	-	-
12110053	Sealed	W-2 Axial Wedge Base	Lt. Gray	PA66 HS 33% GF	12110054	-	-
15317651	Sealed	W-2 Axial Wedge Base	Lt. Gray	PA66 HS 33% GF	12191522	-	15317652
12146418	Sealed	W-2 Right Angle Wedge Base	Lt. Gray	PA66 HS IM	-	12146419	12146398
12160386	Sealed	B-1 Right Angle Bayonet Base	Lt. Gray	PA66 HS IM	12129057	-	12129909
12160390	Sealed	C-2 Right Angle Bayonet Base	Natural	PA66 HS IM	12129051	-	12129909
12160392	Sealed	C-2 Right Angle Bayonet Base	Md. Gray	PA66 HS IM	12129051	-	12129909

<http://delphi.com/products/connect>



LAMP SOCKET TERMINALS

Series	Type	Application	Cable Seal Series	Terminal Part #	Cable Range	Material	Plating
A							
W-2, W-3 Right Angle	–	Sealed	280	12066639	2.0-1.0	Tin Brass	Tin
W-2, W-3 Right Angle	–	Sealed	280	12066638	0.80-0.50	Tin Brass	Tin
W-2, W-3 Right Angle	–	Sealed	280	12186320	0.35	Tin Brass	Tin
B							
W-2 Axial	–	Unsealed	–	12089139	0.80-0.50	Brass	Copper/Tin
W-2 Axial	–	Unsealed	–	12089137	1.0 (2 Req'd.) 0.80 (2 Req'd.)	Brass	Copper/Tin
C							
W-2 Axial	–	Sealed	280	12176852	0.80	Brass	Tin
W-2 Axial	–	Sealed	280	12176853	0.50-0.35	Brass	Tin
D							
W-2 Axial	–	Sealed	480	12124471	1.0-0.80	Brass	Copper/Tin
W-2 Axial	–	Sealed	480	12124598	0.50	Brass	Copper/Tin
E							
W-3 Axial	Contact	Sealed	280	12092058	0.80-0.50	Tin Brass	Tin
W-3 Axial	Contact	Sealed	280	12088187	0.50-0.35	Tin Brass	Tin
W-3 Axial	Ground	Sealed	630	12092030	0.80-0.50	Tin Brass	Tin
F							
B-1, C-2	Contact	Sealed	280	12129052	1.0-0.80	Stainless Steel	Tin
B-1, C-2	Contact	Sealed	280	15304622	0.50-0.35	Stainless Steel	Tin
B-1, C-2	Ground	Sealed	280	12129053	1.0-0.80	Tin Brass	Tin
B-1, C-2	Ground	Sealed	280	15304621	0.50-0.35	Tin Brass	Tin



METRI-PACK CABLE SEAL CHART

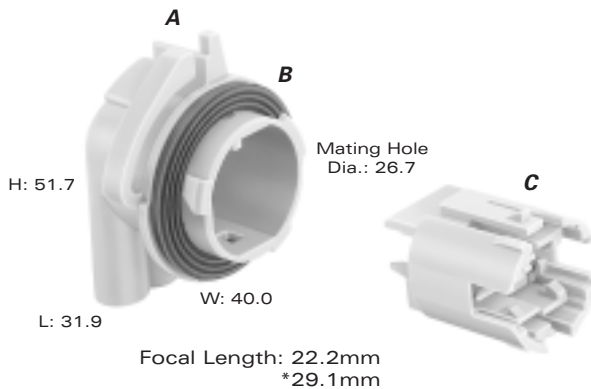
Series	Reel Part #	Loose Part #	Cable Diameter	Material	Color
280	12015284	12015323	2.85-2.03	Silicone	Green
280	12034365	12015899	1.70-1.29	Silicone	Dk. Red
280	12041352	12041351	2.42-2.03	Silicone	Tan
280	12089444	12089679	2.15-1.60	Silicone	Purple
480	12048433	12048441	2.85-2.01	Silicone	White
480	12052931	12052930	2.15-1.60	Silicone	Yellow
630	12077760	12077759	2.15-1.65	Silicone	Tan

SECTION NOTES:

- Contact your regional support representative at the number listed below.
- When an unsealed application is required use 12020720 gasket in place of seal 12129909.



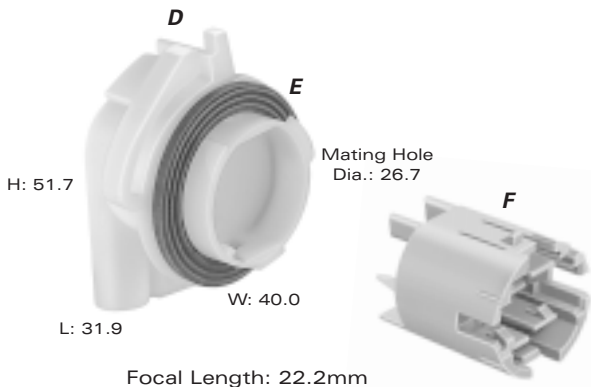
A PART NO: 12160393 (Lt. Gray)
15326290 (Lt. Green)
15326291* (Natural)
 DESCRIPTION: W-3 Right Angle Wedge Base
 SIZE: 26.7 Hole Dia. x 31.9L x 51.7H x 40.0W
 MATERIAL: PA66 HS IM
 TERMINALS: See A, Page 229
 SEALS: 280 Metri-Pack Cable Seals
 TYPICAL LAMP: #3156
 *NOTE: Focal Length: 29.1mm.



B PART NO: 12129909
 DESCRIPTION: Seal
 COLOR: Black
 MATERIAL: EPDM

C PART NO: 12177161
 DESCRIPTION: Insert with Terminals
 COLOR: Lt. Gray
 MATERIAL: PA66 HS IM

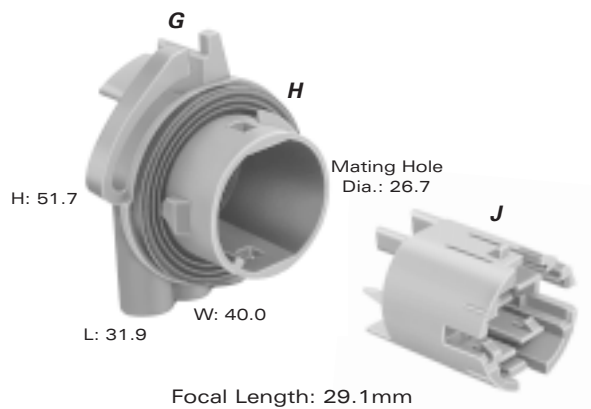
D PART NO: 12160394
 DESCRIPTION: W-3 Right Angle Wedge Base
 SIZE: 26.7 Hole Dia. x 31.9L x 51.7H x 40.0W
 COLOR: Natural
 MATERIAL: PA66 HS IM
 TERMINALS: See A, Page 229
 SEALS: 280 Metri-Pack Cable Seals
 TYPICAL LAMP: #3057



E PART NO: 12129909
 DESCRIPTION: Seal
 COLOR: Black
 MATERIAL: EPDM

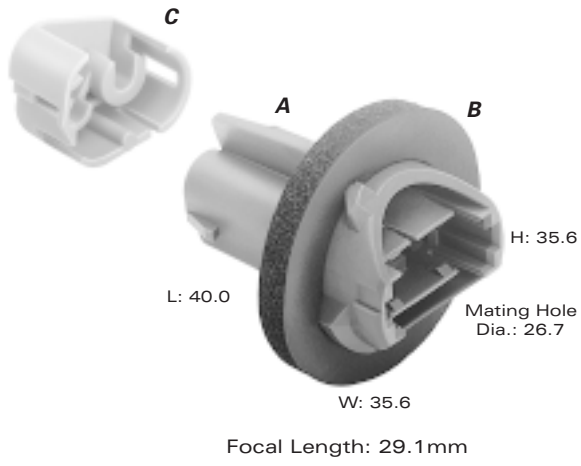
F PART NO: 12177163
 DESCRIPTION: Insert with Terminals
 COLOR: Beige
 MATERIAL: PA66 HS IM

G PART NO: 12160395
 DESCRIPTION: W-3 Right Angle Wedge Base
 SIZE: 26.7 Hole Dia. x 31.9L x 51.7H x 40.0W
 COLOR: Md. Gray
 MATERIAL: PA66 HS IM
 TERMINALS: See A, Page 229
 SEALS: 280 Metri-Pack Cable Seals
 TYPICAL LAMP: #3057



H PART NO: 12129909
 DESCRIPTION: Seal
 COLOR: Black
 MATERIAL: EPDM

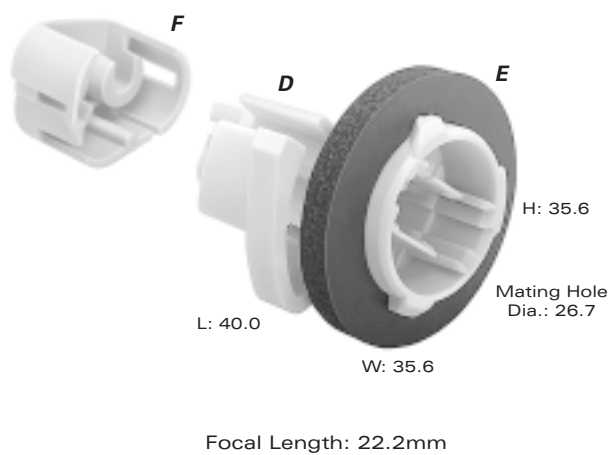
J PART NO: 12177163
 DESCRIPTION: Insert
 COLOR: Beige
 MATERIAL: PA66 HS IM



A PART NO: 12191243
 DESCRIPTION: W-3 Axial Wedge Base
 SIZE: 26.7 Hole Dia. x 40.0L x 35.6H x 35.6W
 COLOR: Dk. Gray
 MATERIAL: PA66 HS IM 14% GF
 TERMINALS: See E, Page 229 (2 Contacts, 1 Ground)
 SEALS: 280 and 630 Metri-Pack Cable Seals
 TYPICAL LAMP: #3057

B PART NO: 12020720
 DESCRIPTION: Gasket
 COLOR: Black
 MATERIAL: EPDM (Foam)

C PART NO: 15305473
 DESCRIPTION: TPA
 COLOR: Lt. Gray
 MATERIAL: PA6



**D PART NO: 12092379 (Natural)
 12186065 (Black)**
 DESCRIPTION: W-3 Axial Wedge Base
 SIZE: 26.7 Hole Dia. x 40.0L x 35.6H x 35.6W
 MATERIAL: PA66 MF HS
 TERMINALS: See E, Page 229 (2 Contacts, 1 Ground)
 SEALS: 280 and 630 Metri-Pack Cable Seals
 TYPICAL LAMP: #3057

E PART NO: 12020720
 DESCRIPTION: Gasket
 COLOR: Black
 MATERIAL: EPDM (Foam)

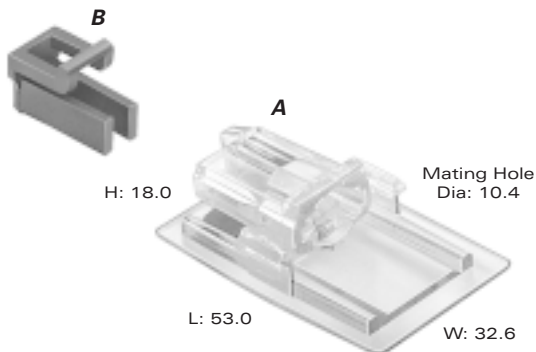
F PART NO: 15305473
 DESCRIPTION: TPA
 COLOR: Lt. Gray
 MATERIAL: PA6

SECTION NOTES:

Contact your regional support representative at the number listed below.
 • When an unsealed application is required use 12020720 gasket in place of seal 12129909.

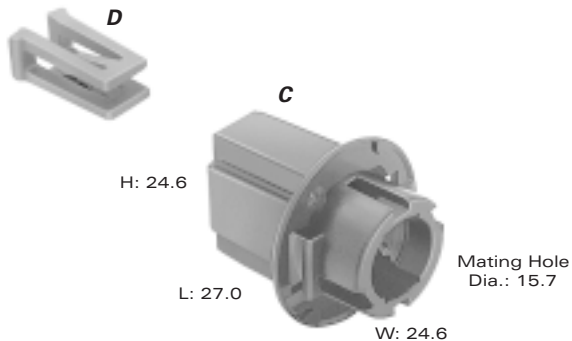


A PART NO: **12162223 (Clear)**
12162222 (White)
 DESCRIPTION: W-2 Axial Wedge Base
 SIZE: 10.4 Hole Dia. x 53.0L x 18.0H x 32.6W
 MATERIAL: PC
 TERMINALS: See B, Page 229
 TYPICAL LAMP: #194



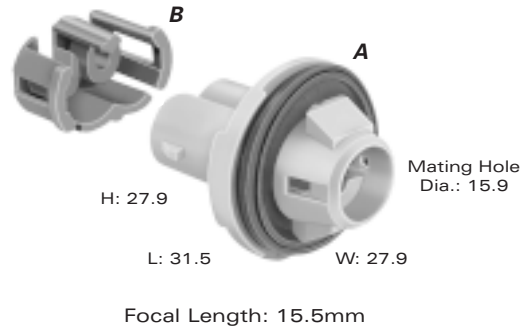
B PART NO: **12052490**
 DESCRIPTION: TPA
 COLOR: Black
 MATERIAL: PA6

C PART NO: **12059952**
 DESCRIPTION: W-2 Axial Wedge Base
 SIZE: 15.7 Hole Dia. x 27.0L x 24.6H x 24.6W
 COLOR: Black
 MATERIAL: PA6
 TERMINALS: See B, Page 229
 TYPICAL LAMP: #194



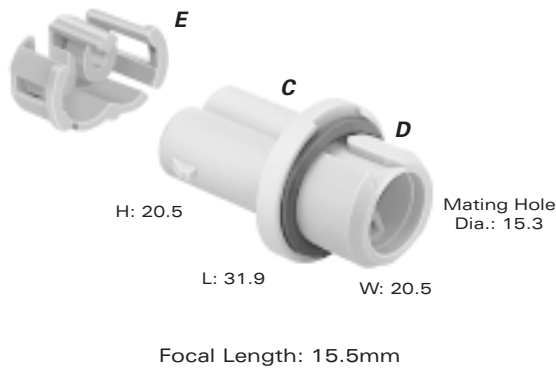
D PART NO: **15324722**
 DESCRIPTION: TPA
 COLOR: Red
 MATERIAL: PBT HS IM





A PART NO: 12110053
 DESCRIPTION: W-2 Axial Wedge Base
 SIZE: 15.9 Hole Dia. x 31.5L x 27.9H x 27.9W
 COLOR: Lt. Gray
 MATERIAL: PA66 HS 33% GF
 TERMINALS: See D, Page 229
 SEALS: 480 Metri-Pack Cable Seals
 TYPICAL LAMP: #168 or #912

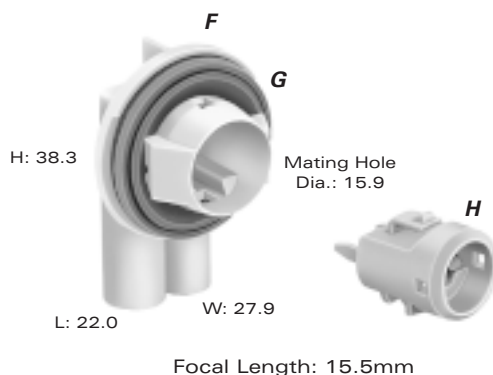
B PART NO: 12110054
 DESCRIPTION: TPA
 COLOR: Black
 MATERIAL: PA66 HS IM



C PART NO: 15317651
 DESCRIPTION: W-2 Axial Wedge Base
 SIZE: 15.3 Hole Dia. x 31.9L x 20.5H x 20.5W
 COLOR: Lt. Gray
 MATERIAL: PA66 HS 33% GF
 TERMINALS: See C, Page 229
 SEALS: 280 Metri-Pack Cable Seals
 TYPICAL LAMP: #194

D PART NO: 15317652
 DESCRIPTION: O-Ring
 COLOR: Black
 MATERIAL: EPDM

E PART NO: 12191522
 DESCRIPTION: TPA
 COLOR: Blue
 MATERIAL: PA66 HS IM



F PART NO: 12146418
 DESCRIPTION: W-2 Right Angle Wedge Base
 SIZE: 15.9 Hole Dia. x 22.0L x 38.3H x 27.9W
 COLOR: Lt. Gray
 MATERIAL: PA66 HS IM
 TERMINALS: See A, Page 229
 SEALS: 280 Metri-Pack Cable Seals
 TYPICAL LAMP: #168

G PART NO: 12146398
 DESCRIPTION: Seal
 COLOR: Black
 MATERIAL: Santoprene

H PART NO: 12146419
 DESCRIPTION: Insert
 COLOR: Lt. Gray
 MATERIAL: PA66



A PART NO: 12160386
 DESCRIPTION: B-1 Right Angle Bayonet Base
 SIZE: 26.8 Hole Dia. x 27.2L x 62.6H x 41.1W
 COLOR: Lt. Gray
 MATERIAL: PA66 HS IM
 TERMINALS: See F, Page 229 (1 Contact, 1 Ground)
 SEALS: 280 Metri-Pack Cable Seals
 TYPICAL LAMP: #1156

B PART NO: 12129909
 DESCRIPTION: Seal
 COLOR: Black
 MATERIAL: EPDM

C PART NO: 12129057
 DESCRIPTION: TPA
 COLOR: Blue
 MATERIAL: PA6

D PART NO: 12160390
 DESCRIPTION: C-2 Right Angle Bayonet Base
 SIZE: 26.8 Hole Dia. x 27.2L x 62.6H x 41.1W
 COLOR: Natural
 MATERIAL: PA66 HS IM
 TERMINALS: See F, Page 229 (2 Contacts, 1 Ground)
 SEALS: 280 Metri-Pack Cable Seals
 TYPICAL LAMP: #2057

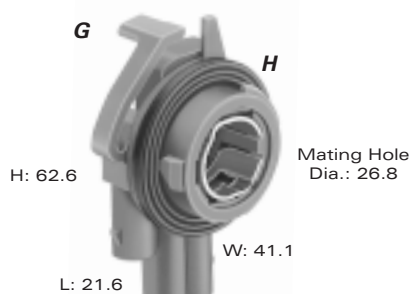
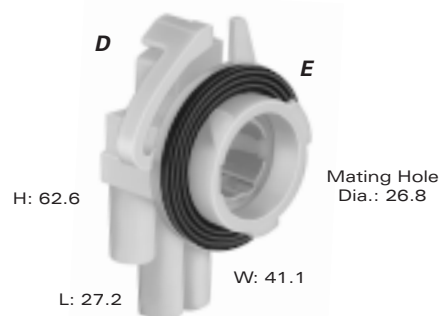
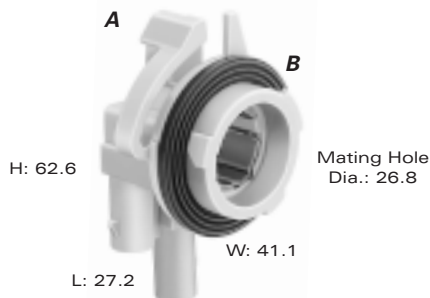
E PART NO: 12129909
 DESCRIPTION: Seal
 COLOR: Black
 MATERIAL: EPDM

F PART NO: 12129051
 DESCRIPTION: TPA
 COLOR: Blue
 MATERIAL: PA6

G PART NO: 12160392
 DESCRIPTION: C-2 Right Angle Bayonet Base
 SIZE: 26.8 Hole Dia. x 21.6L x 62.6H x 41.1W
 COLOR: Md. Gray
 MATERIAL: PA66 HS IM
 TERMINALS: See F, Page 229 (2 Contacts, 1 Ground)
 SEALS: 280 Metri-Pack Cable Seals
 TYPICAL LAMP: #2057

H PART NO: 12129909
 DESCRIPTION: Seal
 COLOR: Black
 MATERIAL: EPDM

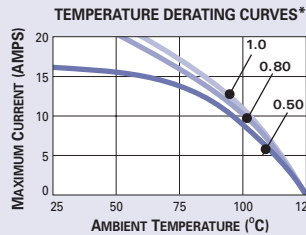
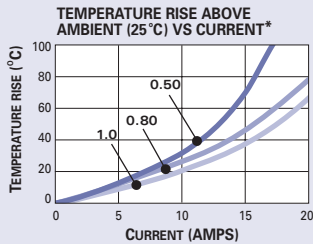
J PART NO: 12129051
 DESCRIPTION: TPA
 COLOR: Blue
 MATERIAL: PA6





Unsealed System Application Information

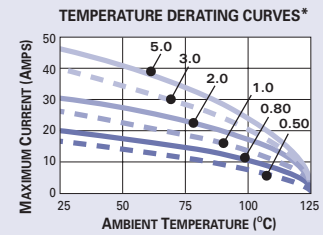
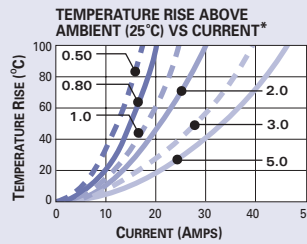
GT 150 SERIES TERMINALS-Tin Plated



CABLE RANGE (mm²): 0.35-1.0
 CURRENT RANGE (AMPS): 0-15
 TEMP RANGE °C: -40 to 125
 RESISTANCE: <10mΩ@20mV

VOLTAGE DROP: <10.0mV/amp
 CENTERLINE SPACING (mm): 3.4
 BLADE WIDTH (mm): 1.5

280 SERIES TERMINALS - Tin Plated

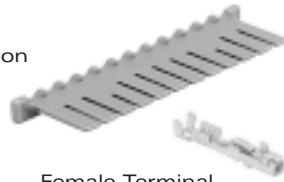


CABLE RANGE (mm²): 0.35-5.0
 CURRENT RANGE (AMPS): 0-30
 TEMP RANGE °C: -40 to 125
 RESISTANCE: <10mΩ@20mV

VOLTAGE DROP: <5.0mV/amp
 CENTERLINE SPACING (mm): . 5.0/6.3
 BLADE WIDTH (mm): 2.8

* The test data are based on single circuits in free space and were generated using a "Lumped Resistance" model. This model does not account for all of the variables that would be present in an actual application. For actual product performance, contact your regional support representative at the number listed below.

TPA
(Terminal Position Assurance)



Female Terminal



Female Connector



Cap Assembly



TANGLISS



GT 150 FEMALE TERMINALS UNSEALED

Part #	Cable Range (mm ²)	Material	Plating
12191811	0.50 - 0.35	Tin Brass	Tin
12191812	1.0 - 0.80	Tin Brass	Tin

280 M/P TANGLISS FEMALE TERMINALS UNSEALED

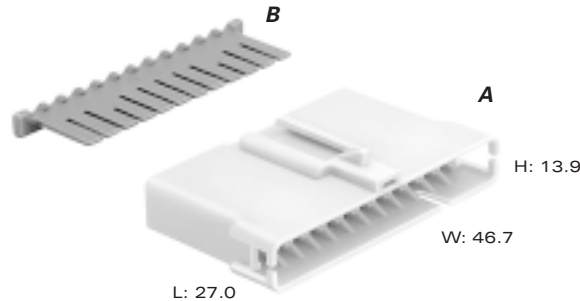
Part #	Cable Range (mm ²)	Material	Plating
12110842	3.0 - 2.0	Tin Brass	Tin
12110844	1.0 - 0.80	Tin Brass	Tin
12110843	0.50 - 0.35	Tin Brass	Tin
12129061	0.35 (2 Req'd.)	Tin Brass	Tin

SPLICE SAVER CONNECTIONS UNSEALED

Cavity Description	Part #	Color	Material	TPA	Cap Assembly	Splice Configuration
12Way GT 150	12191216	Lt. Gray	PA66 HS IM	12176462	12191217	1-12 Way
12Way GT 150	12176460	Black	PA66 HS IM	12176462	12176469	2-12 Way
12Way 280 Metri-Pack Large Cavity	12176473	Black	PA66 HS IM	12176475	12176478	3-4 Ways
12Way 280 Metri-Pack	15305288	Black	PA66 HS IM	12176513	15305289	2-6 Ways
12Way 280 Metri-Pack	15305291	Black	PA66 HS IM	12176513	15305292	1-12 Way
12Way 280 Metri-Pack	15305294	Black	PA66 HS IM	12176513	15305295 w/M6 Hole	1-12 Way
12Way 280 Metri-Pack	15305297	Black	PA66 HS IM	12176513	15305298 w/M10 Hole	1-12 Way
12Way 280 Metri-Pack	15305294	Black	PA66 HS IM	12176513	15305300 w/M6 Hole & Bolt	1-12 Way

<http://delphi.com/products/connect>

Splice Saver connectors are capable of providing one or several splices within a single connection assembly. Splicing is accomplished within the male cap assembly using a segmented bus blade.



12176469 Cap Assembly 2-6M Gray
Mates to Connector 12176460



12191217 Cap Assembly 1-12M Lt. Gray
Mates to Connector 12191216

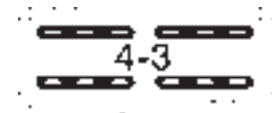


Total Mated Length: 30.6mm

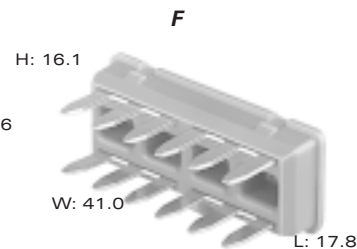
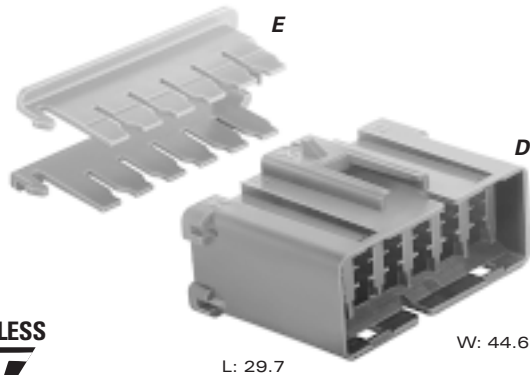
**A PART NO: 12191216 (Lt. Gray)
12176460 (Black)**
DESCRIPTION: Connector GT 150 12F
SIZE: 27.0L x 13.9H x 46.7W
MATERIAL: PA66 HS IM
TERMINALS: See Page 236, GT 150

C PART NO: 12191217
DESCRIPTION: Cap Assembly 1-12M
SIZE: 15.0L x 7.8H x 53.0W
COLOR: Lt. Gray
MATERIAL: PA66 HS IM

B PART NO: 12176462
DESCRIPTION: TPA
COLOR: Md. Gray
MATERIAL: PA66 HS IM



12176478 Cap Assembly 4-3M
Mates to Connector 12176473



Total Mated Length: 34.0mm

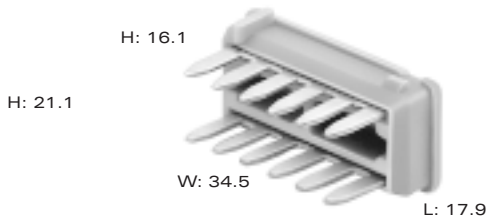
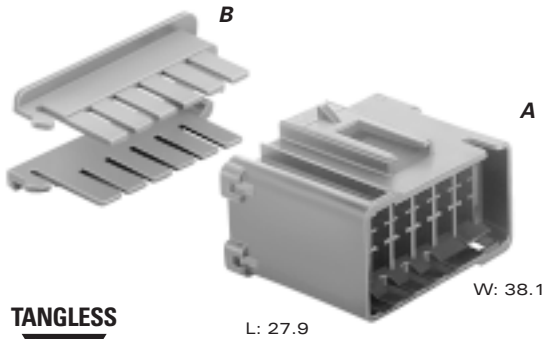


D PART NO: 12176473
DESCRIPTION: Connector Metri-Pack 280 12F (Large Cavity)
SIZE: 29.7L x 19.6H x 44.6W
COLOR: Black
MATERIAL: PA66 HS IM
TERMINALS: See Page 236, 280 Metri-Pack Tangless

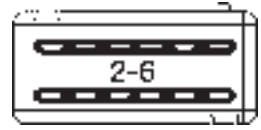
F PART NO: 12176478
DESCRIPTION: Cap Assembly 4-3M
SIZE: 17.8L x 16.1H x 41.0W
COLOR: Brown
MATERIAL: PA66 HS IM

E PART NO: 12176475
DESCRIPTION: TPA
COLOR: Gray
MATERIAL: PA66 HS IM

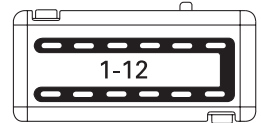
<http://delphi.com/products/connect>



Total Mated Length: 34.0mm



15305289 Cap Assembly 2-6M
Mates to Connector 15305288



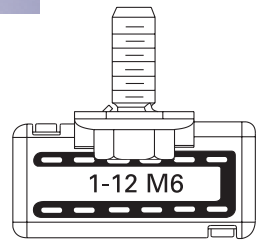
15305292 Cap Assembly 1-12M
Mates to Connector 15305291



**A PART NO: 15305288
15305291**
DESCRIPTION: Connector 280 Metri-Pack 12F
SIZE: 27.9L x 21.1H x 38.1W
COLOR: Black
MATERIAL: PA66 HS IM
TERMINALS: See Page 236, 280 Metri-Pack Tangleless

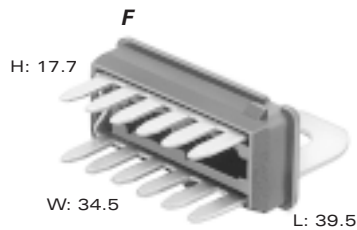
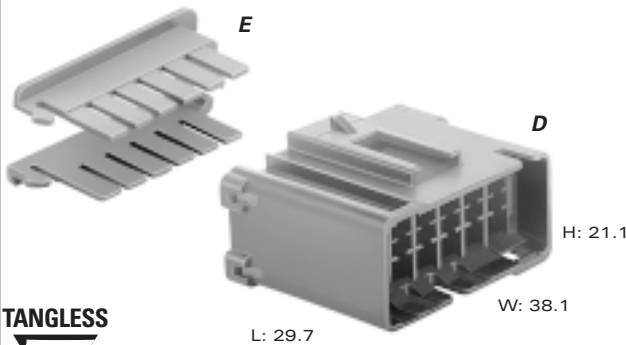
**C PART NO: 15305289 (Green 2-6M)
15305292 (Cream 1-12M)**
DESCRIPTION: Cap Assembly
SIZE: 17.9L x 16.1H x 34.5W
MATERIAL: PA66 HS IM

B PART NO: 12176513
DESCRIPTION: TPA
COLOR: Md. Gray
MATERIAL: PA66 HS IM

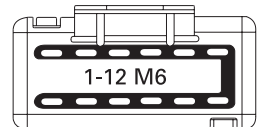


15305300 Cap Assembly 1-12M
with Bolt

15354635 Cap Assembly 1-12M
with Bolt/Retainer
Mates to Connector 15305294



Total Mated Length: 56.7mm

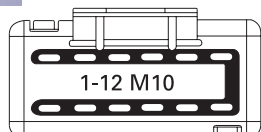


15305295 Cap Assembly 1-12M
Mates to Connector 15305294

**D PART NO: 15305294
15305294
15305297**
DESCRIPTION: Connector 280 Metri-Pack 12F
SIZE: 29.7L x 21.1H x 38.1W
COLOR: Black
MATERIAL: PA66 HS IM
TERMINALS: See Page 236, 280 Metri-Pack Tangleless

**F PART NO: 15305300 (Black M6 Bolt
Included)
15305295 (Black M6 Hole)
15305298 (Beige M10 Hole)**
DESCRIPTION: Cap Assembly 1-12M
SIZE: 39.5L x 17.7H x 34.5W
MATERIAL: PA66 HS IM

E PART NO: 12176513
DESCRIPTION: TPA
COLOR: Md. Gray
MATERIAL: PA66 HS IM



15305298 Cap Assembly 1-12M
Mates to Connector 15305297

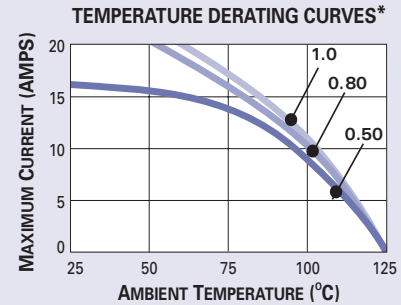
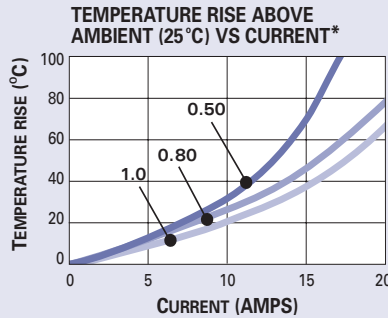
<http://delphi.com/products/connect>



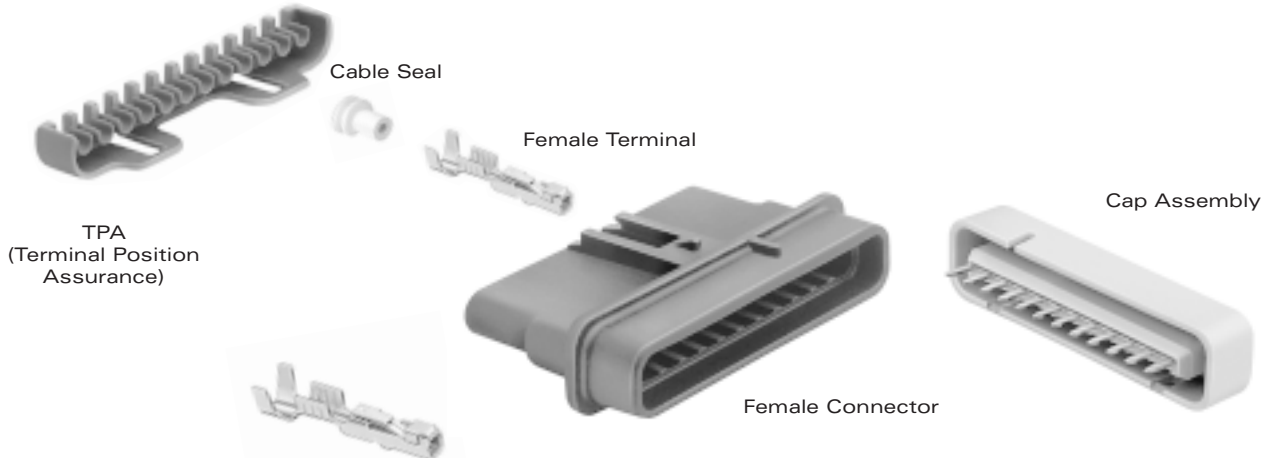
Sealed System Application Information

CABLE RANGE (mm²): 0.35-1.0
CURRENT RANGE (AMPS): 0-15
TEMP RANGE °C: -40 to 125
RESISTANCE: <10mΩ@20mV
VOLTAGE DROP: <10.0mV/amp
CENTERLINE SPACING (mm): 4.5
BLADE WIDTH (mm): 1.5

GT 150 SERIES TERMINALS-Tin Plated



* The test data are based on single circuits in free space and were generated using a "Lumped Resistance" model. This model does not account for all of the variables that would be present in an actual application. For actual product performance, contact your regional support representative at the number listed below.



GT 150 FEMALE TERMINALS SEALED

Part #	Cable Range (mm ²)	Material	Plating
12191818	0.50 - 0.35	Tin Brass	Tin
12191819	1.0 - 0.80	Tin Brass	Tin

150 GT CABLE SEALS

Reel Part #	Loose Part #	Cable Range (mm ²)	Material	Color
12191152	12191226	1.20 - 1.85	Silicone	White
12191153	12191227	1.86 - 2.25	Silicone	Blue

150 GT CAVITY PLUG*

Part Number	Cavity Diameter	Material	Color
15305171	4.0 mm	Silicone	Green

*Cavity plugs seal unused female and male cavities.

SPLICE SAVER CONNECTIONS SEALED

Cavity Description	Part #	Color	Material	TPA	Cap Assembly	Splice Configuration
6Way GT 150	12191910	Black	PA66 HS IM 14% GF	12191911	12191914 w/Seal	1-6 Way
12Way GT 150	12191900	Black	PA66 HS IM14% GF	12191901	12191904 w/Seal	1-12 Way
12Way GT 150	12191905	Black	PA66 HS IM14% GF	12191901	12191908 w/Seal	3-4 Ways

<http://delphi.com/products/connect>



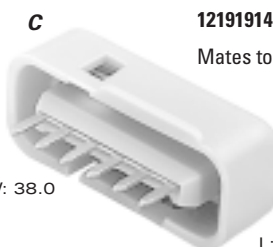
L: 37.6



H: 19.5

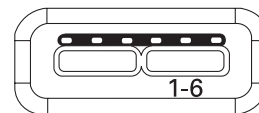
W: 38.1

H: 16.2



W: 38.0

L: 19.7



12191914 Cap Assembly 1-6M
Mates to Connector 12191910

Total Mated Length: 41.8mm

A PART NO: 12191910
DESCRIPTION: Connector 150 GT 6F
SIZE: 37.6L x 19.5H x 38.1W
COLOR: Black
MATERIAL: PA66 HS IM 14% GF
TERMINALS: See Page 239
SEALS/PLUGS: See Page 239

C PART NO: 12191914
DESCRIPTION: Cap Assembly 1-6M (w/Seal)
SIZE: 19.7L x 16.2H x 38.0W
COLOR: Lt. Green
MATERIAL: PA66 HS IM

B PART NO: 12191911
DESCRIPTION: TPA
COLOR: Md. Gray
MATERIAL: PA66 HS IM



12191904 Cap Assembly 1-12M w/Seal
Mates to Connector 12191900



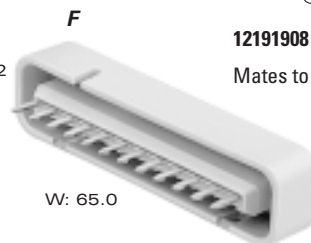
L: 37.6



H: 19.5

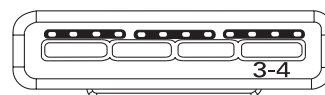
W: 65.1

H: 16.2



W: 65.0

L: 19.7



12191908 Cap Assembly 3-4M w/Seal
Mates to Connector 12191905

Total Mated Length: 41.5mm

**D PART NO: 12191900
12191905**
DESCRIPTION: Connector 150 GT 12F
SIZE: 37.6L x 19.5H x 65.1W
COLOR: Black
MATERIAL: PA66 HS IM 14% GF
TERMINALS: See Page 239
SEALS/PLUGS: See Page 239

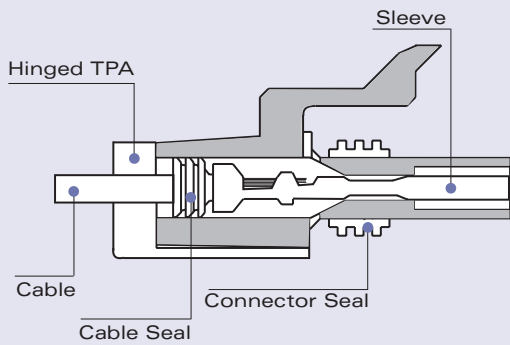
**F PART NO: 12191904 (Cream 1-12M w/Seal)
12191908 (Blue 3-4M w/Seal)**
DESCRIPTION: Cap Assembly 12M
SIZE: 19.7L x 16.2H x 65.0W
MATERIAL: PA66 HS IM

E PART NO: 12191901
DESCRIPTION: TPA
COLOR: Md. Gray
MATERIAL: PA66 HS IM

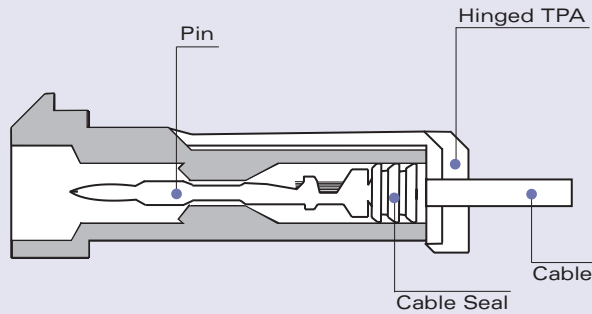
<http://delphi.com/products/connect>



Cross Sectional View



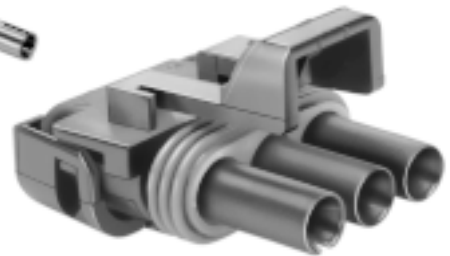
Female Connector Assembly



Male Connector



Female Terminal (Sleeve)



Female Connector Assembly

WEATHER-PACK FEMALE TERMINALS (SLEEVE) SEALED*

Sleeve Part #	Cable Range (mm ²)	Material	Plating
12124581	3.0	Tin Brass	Tin
12124580	2.0-1.0	Tin Brass	Tin
15408312	0.80-0.50	Tin Brass	Tin
12020801	0.35	Tin Brass	Tin

*Use of the Weather-Pack 6060 gage as a process control aid is recommended for Weather-Pack terminals. See page 327 in the Application Tooling section for details.



WEATHER-PACK CABLE SEALS

Reel Part #	Loose Part #	Cable Diameter	Material	Color
12015360	12015193	4.30-3.45	Silicone	Blue
12015359	12010293	3.49-2.81	Silicone	Lt. Gray
12015284	12015323	2.85-2.03	Silicone	Green
12041352	12041351	2.42-2.03	Silicone	Tan
12089444	12089679	2.15-1.60	Silicone	Purple
12034365	12015899	1.70-1.29	Silicone	Dk. Red

WEATHER-PACK FEMALE CONNECTOR ASSEMBLIES SEALED

# Cavities	Connector Assembly	Color	Material
1	12015791	Black	PA6
2	12015792	Black	PA6
3	12020829	Black	PA6
4	12015798	Black	PA6
4	12020832	Black	PA6
6	12020926	Black	PA6
22	12020991	Black	PA6

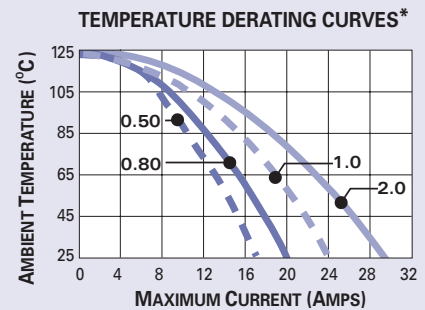
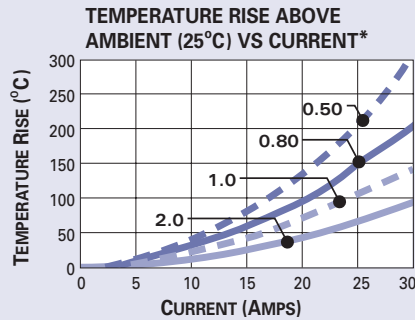
<http://delphi.com/products/connect>



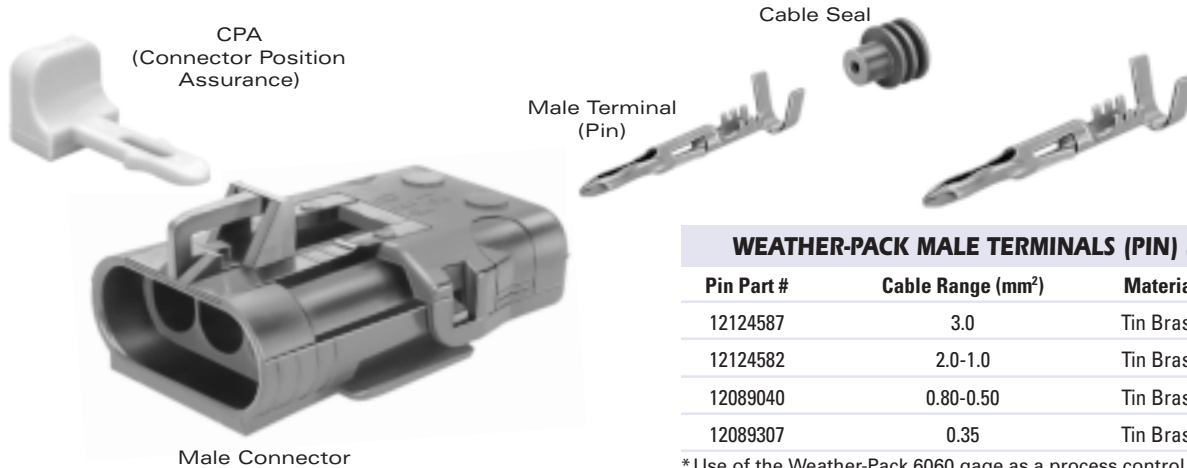
Sealed System Application Information

CABLE RANGE (mm²): 0.35-3.0
CURRENT RANGE (AMPS): 0-20
TEMP RANGE °C: -40 to 125
RESISTANCE: <10mΩ@20mV
VOLTAGE DROP: <3.0mV/amp
CENTERLINE SPACING (mm): 7.7
BLADE WIDTH (mm): ... Pin and Sleeve

WEATHER-PACK TERMINALS-Tin Plated



*The test data are based on single circuits in free space and were generated using a "Lumped Resistance" model. This model does not account for all of the variables that would be present in an actual application. For actual product performance, contact your regional support representative at the number listed below.



WEATHER-PACK MALE TERMINALS (PIN) SEALED*

Pin Part #	Cable Range (mm ²)	Material	Plating
12124587	3.0	Tin Brass	Tin
12124582	2.0-1.0	Tin Brass	Tin
12089040	0.80-0.50	Tin Brass	Tin
12089307	0.35	Tin Brass	Tin

*Use of the Weather-Pack 6060 gage as a process control aid is recommended for Weather-Pack terminals. See page 327 in the Application Tooling section for details.

WEATHER-PACK MALE CONNECTORS SEALED

# Cavities	Connector	Color	Material
1	12010996	Black	PA66 HS IM
2	12010973	Black	PA6
3	12020827	Black	PA6
4	12015024	Black	PA6
4	12020830	Black	PA6
6	12020786	Black	PA6
22	12020005	Black	PA6

WEATHER-PACK CAVITY PLUG*

Part #	Cavity Inside Diameter	Material	Color
12010300	6.7mm	Silicone	Green

*Cavity plugs seal unused female and male cavities.

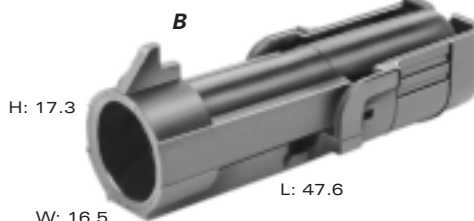
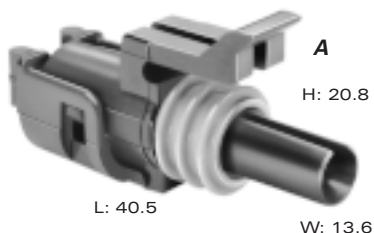
SECTION NOTES:

- Contact your regional support representative at the number listed below.
- Due to rigid tolerances of connector cavities, it is critical to meet all crimp dimensions as specified.
- Different color and connector indexing features are also available.

<http://delphi.com/products/connect>



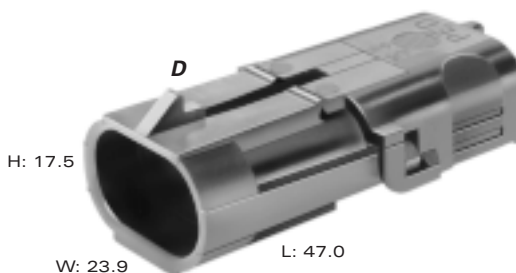
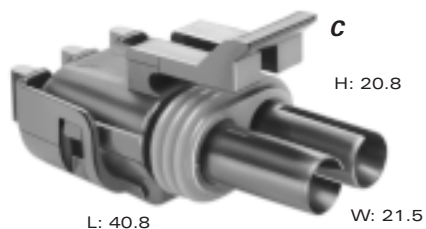
An environmentally sealed connection system that utilizes triple-rib peripheral silicone rubber seals and individual towers to provide terminal isolation for connector alignment. Weather-Pack sealed systems are ideally suited for critical applications that require protection from environmental hazards.



Total Mated Length: 64.5mm

A PART NO: **12015791**
 DESCRIPTION: Connector Assembly 1F
 SIZE: 40.5L x 20.8H x 13.6W
 COLOR: Black
 MATERIAL: PA6
 TERMINALS: See Page 242
 SEALS/PLUGS: See Page 242, 243

B PART NO: **12010996**
 DESCRIPTION: Connector 1M
 SIZE: 47.6L x 17.3H x 16.5W
 COLOR: Black
 MATERIAL: PA66 HS IM
 TERMINALS: See Page 243
 SEALS/PLUGS: See Page 242, 243

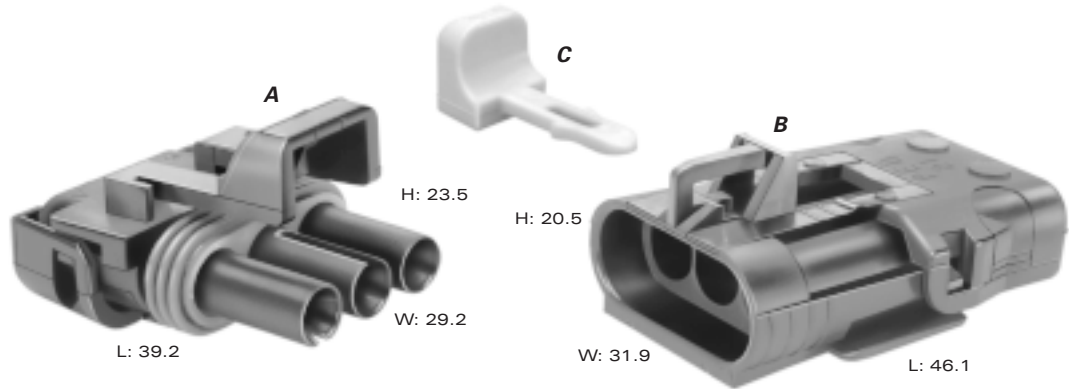


Total Mated Length: 68.3mm

C PART NO: **12015792 (Black)**
12103784 (Gray)
 DESCRIPTION: Connector Assembly 2F
 SIZE: 40.8L x 20.8H x 21.5W
 MATERIAL: PA6
 TERMINALS: See Page 242
 SEALS/PLUGS: See Page 242, 243

D PART NO: **12010973 (Black)**
12034074 (Gray)
 DESCRIPTION: Connector 2M (Clip Slot)
 SIZE: 47.0L x 17.5H x 23.9W
 MATERIAL: PA6
 TERMINALS: See Page 243
 SEALS/PLUGS: See Page 242, 243

<http://delphi.com/products/connect>

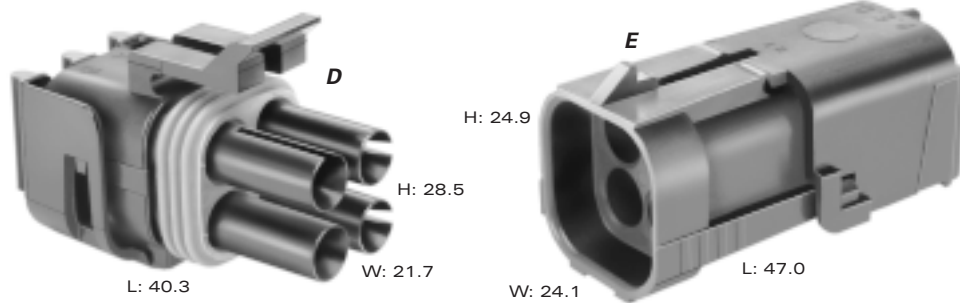


Total Mated Length: 65.8mm

A PART NO: 12020829
 DESCRIPTION: Connector Assembly 3F
 SIZE: 39.2L x 23.5H x 29.2W
 COLOR: Black
 MATERIAL: PA6
 TERMINALS: See Page 242
 SEALS/PLUGS: See Page 242, 243

B PART NO: 12020827
 DESCRIPTION: Connector 3M (Clip Slot)
 SIZE: 46.1L x 20.5H x 31.9W
 COLOR: Black
 MATERIAL: PA6
 TERMINALS: See Page 243
 SEALS/PLUGS: See Page 242, 243

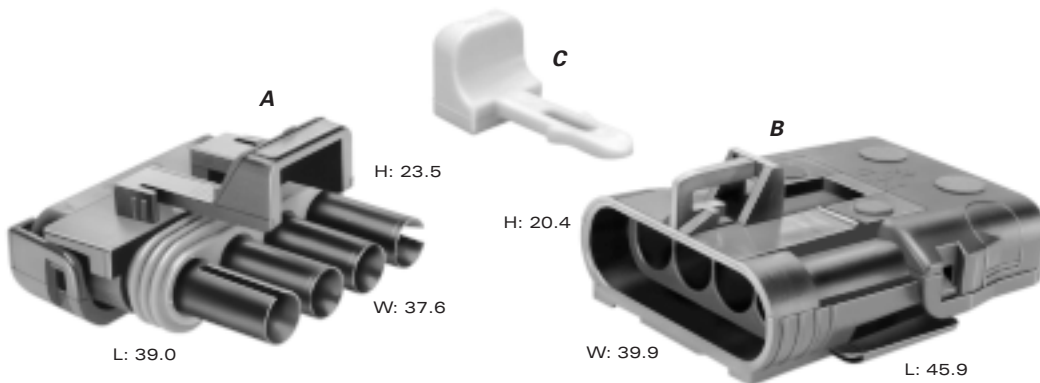
C PART NO: 12020833
 DESCRIPTION: CPA
 COLOR: Gray
 MATERIAL: PBT



Total Mated Length: 68.3mm

D PART NO: 12015798
 DESCRIPTION: Connector Assembly 4F
 SIZE: 40.3L x 28.5H x 21.7W
 COLOR: Black
 MATERIAL: PA6
 TERMINALS: See Page 242
 SEALS/PLUGS: See Page 242, 243

E PART NO: 12015024
 DESCRIPTION: Connector 4M (Clip Slot)
 SIZE: 47.0L x 24.9H x 24.1W
 COLOR: Black
 MATERIAL: PA6
 TERMINALS: See Page 243
 SEALS/PLUGS: See Page 242, 243

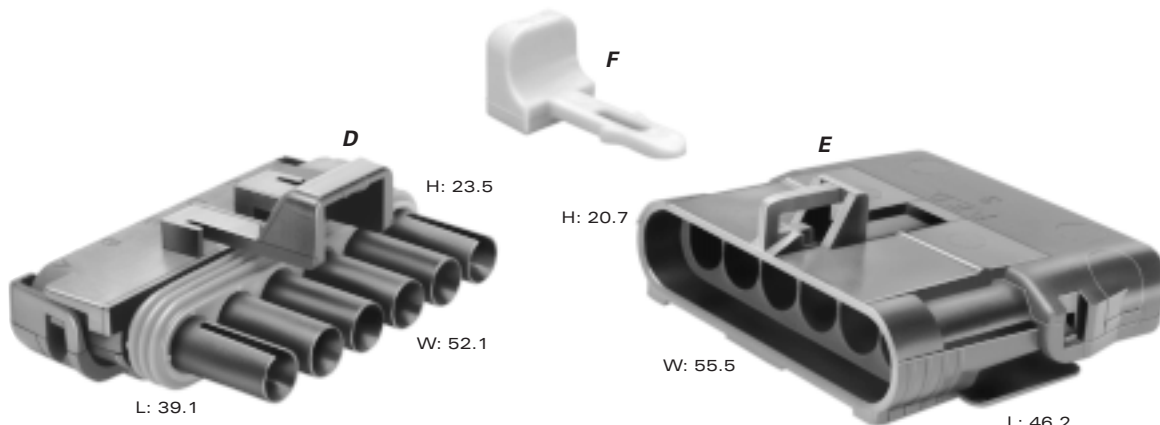


Total Mated Length: 65.8mm

A PART NO: 12020832
 DESCRIPTION: Connector Assembly 4F
 SIZE: 39.0L x 23.5H x 37.6W
 COLOR: Black
 MATERIAL: PA6
 TERMINALS: See Page 242
 SEALS/PLUGS: See Page 242, 243

B PART NO: 12020830
 DESCRIPTION: Connector 4M (Clip Slot)
 SIZE: 45.9L x 20.4H x 39.9W
 COLOR: Black
 MATERIAL: PA6
 TERMINALS: See Page 243
 SEALS/PLUGS: See Page 242, 243

C PART NO: 12020833
 DESCRIPTION: CPA
 COLOR: Gray
 MATERIAL: PBT



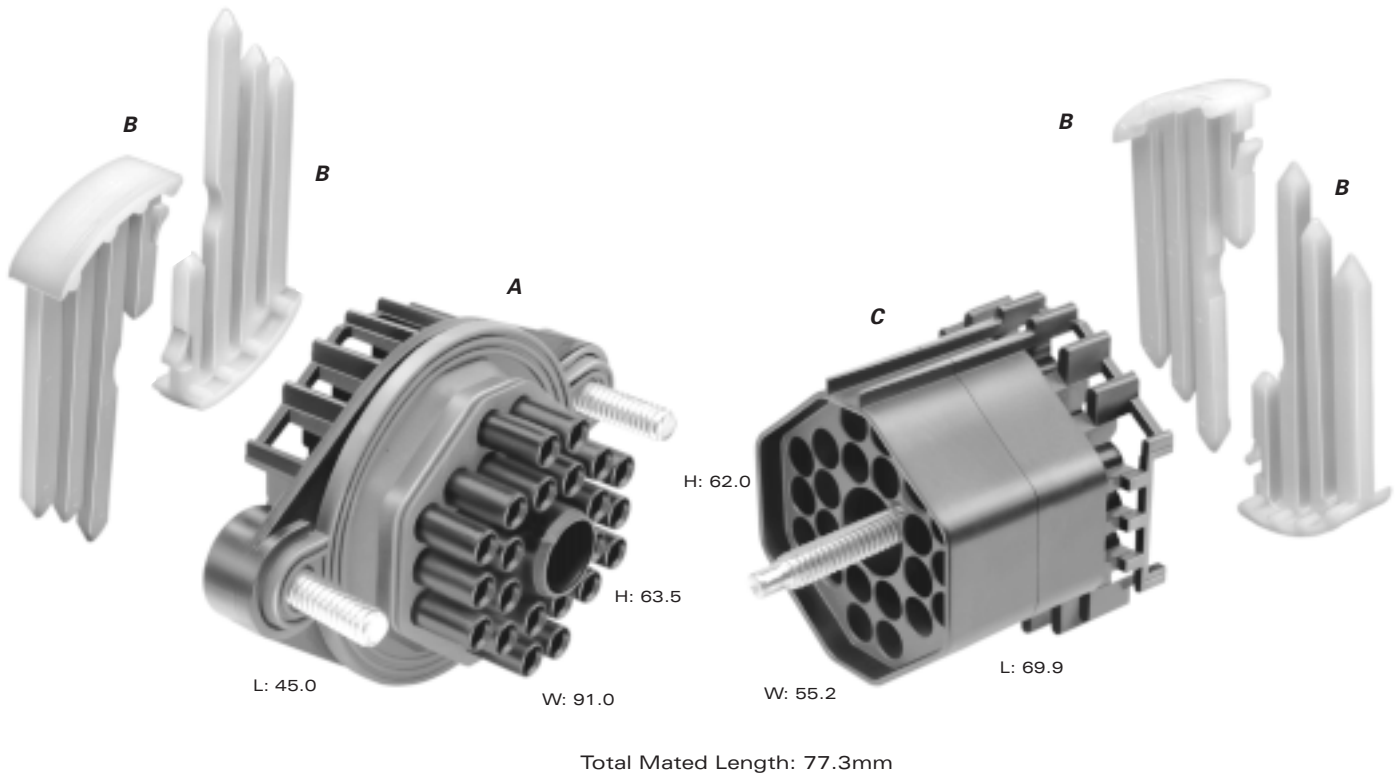
Total Mated Length: 66.4mm

D PART NO: 12020926
 DESCRIPTION: Connector Assembly 6F
 SIZE: 39.1L x 23.5H x 52.1W
 COLOR: Black
 MATERIAL: PA6
 TERMINALS: See Page 242
 SEALS/PLUGS: See Page 242, 243

E PART NO: 12020786
 DESCRIPTION: Connector 6M (Clip Slot)
 SIZE: 46.2L x 20.7H x 55.5W
 COLOR: Black
 MATERIAL: PA6
 TERMINALS: See Page 243
 SEALS/PLUGS: See Page 242, 243

F PART NO: 12020833
 DESCRIPTION: CPA
 COLOR: Gray
 MATERIAL: PBT

<http://delphi.com/products/connect>



A PART NO: 12020991
 DESCRIPTION: Connector Assembly 22F
 SIZE: 45.0L x 63.5H x 91.0W
 COLOR: Black
 MATERIAL: PA6
 TERMINALS: See Page 242
 SEALS/PLUGS: See Page 242, 243
 APPLICATION: Pass-Through

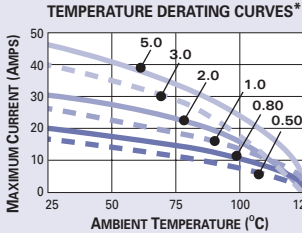
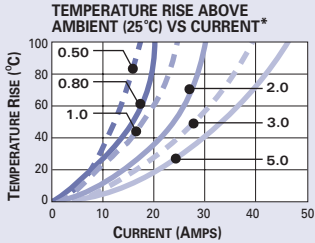
C PART NO: 12020005
 DESCRIPTION: Connector Assembly 22M
 SIZE: 69.9L x 62.0H x 55.2W
 COLOR: Black
 MATERIAL: PA6
 TERMINALS: See Page 243
 SEALS/PLUGS: See Page 242, 243
 APPLICATION: Pass-Through

B PART NO: 12010852
 DESCRIPTION: Secondary Lock
 NUMBER REQ: 4
 COLOR: Natural
 MATERIAL: PA6



Unsealed System Application Information

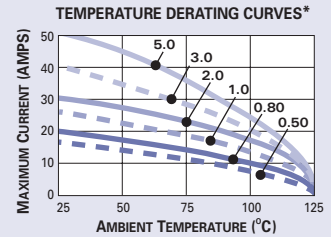
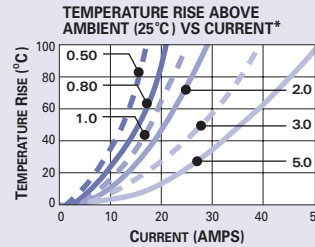
280 SERIES TERMINALS - Tin Plated



CABLE RANGE (mm²): 0.5-2.5
 CURRENT RANGE (AMPS): 19
 TEMP RANGE °C: -40 to 125
 RESISTANCE: <10mΩ@20mV

VOLTAGE DROP: <4.0mV/amp
 CENTERLINE SPACING (mm): 5.0
 BLADE WIDTH (mm): 2.8

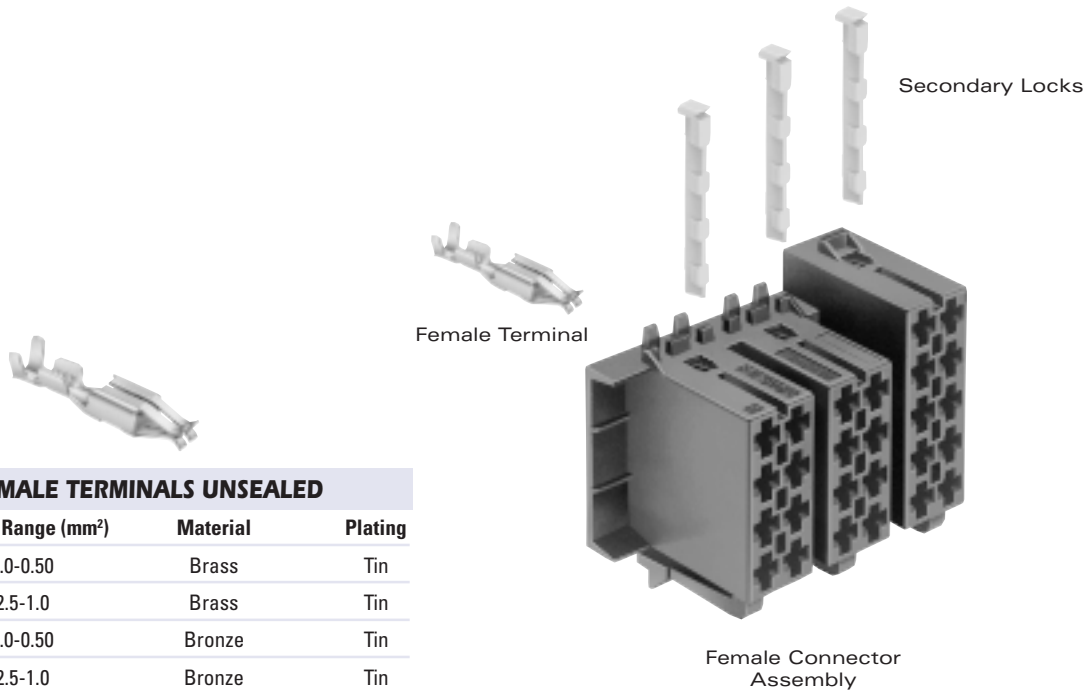
630 SERIES TERMINALS-Tin Plated



CABLE RANGE (mm²): 0.5-2.5
 CURRENT RANGE (AMPS): 33
 TEMP RANGE °C: -40 to 135
 RESISTANCE: <10mΩ@20mV

VOLTAGE DROP: <4.0mV/amp
 CENTERLINE SPACING (mm): 8.0
 BLADE WIDTH (mm): 4.8 (6.3 ALSO POSSIBLE)

* The test data are based on single circuits in free space and were generated using a "Lumped Resistance" model. This model does not account for all of the variables that would be present in an actual application. For actual product performance, contact your regional support representative at the number listed below.



VF 280 FEMALE TERMINALS UNSEALED

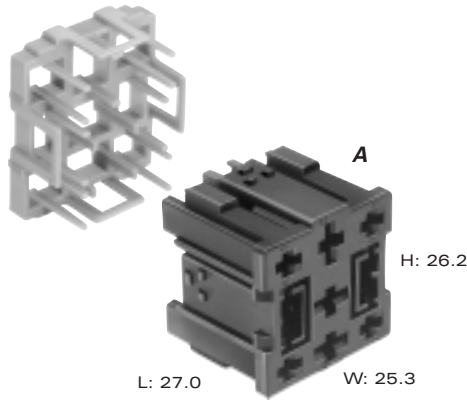
Part #	Cable Range (mm ²)	Material	Plating
12157735	1.0-0.50	Brass	Tin
12197559	2.5-1.0	Brass	Tin
12198151	1.0-0.50	Bronze	Tin
12157736	2.5-1.0	Bronze	Tin

VF 630 FEMALE TERMINALS UNSEALED

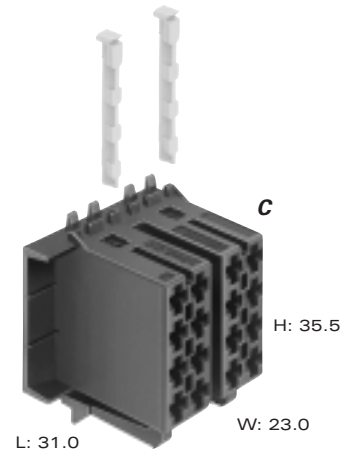
Part #	Cable Range (mm ²)	Material	Plating
15327398	1.0-0.50	Bronze	Tin
15327399	1.0-0.50	STOL 76	Tin
15327400	2.5-1.0	STOL 76	Tin

VF FEMALE CONNECTOR ASSEMBLIES UNSEALED

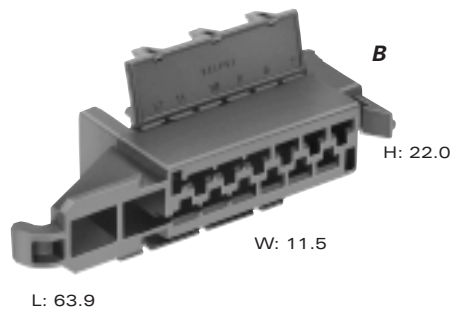
# Cavities	Connector Assembly	Color	Material
9	12198409	Black	PA66 15% GF
12	15327221	Black	PA66 HS IM
16	15363852	Black	PA66
25	15363846	Yellow	PA66
26	15327416	Black	PA66



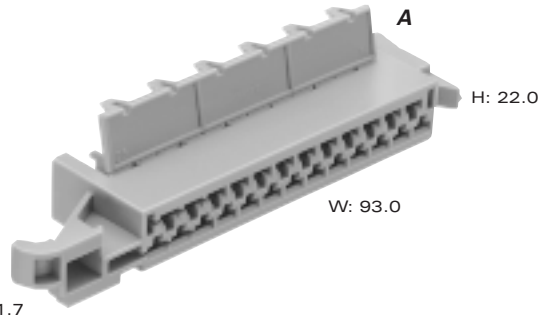
A PART NO: 12198409
 DESCRIPTION: Connector Assembly 9F
 SIZE: 27.0L x 26.2H x 25.3W
 COLOR: Black
 MATERIAL: PA66 15% GF
 TERMINALS: See Page 248
 TYPICAL APP: Relay Base



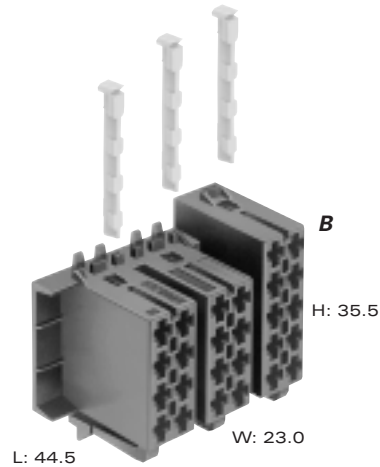
C PART NO: 15363852
 DESCRIPTION: Connector Assembly 16F
 SIZE: 31.0L x 35.5H x 23.0W
 COLOR: Black
 MATERIAL: PA66
 TERMINALS: See Page 248
 TYPICAL APP: Radio



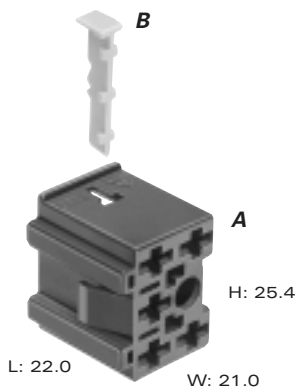
B PART NO: 15327221
 DESCRIPTION: Connector Assembly 12F
 SIZE: 63.9L x 22.0H x 11.5W
 COLOR: Black
 MATERIAL: PA66 HS IM
 TERMINALS: See Page 248
 TYPICAL APP: Turn Lights



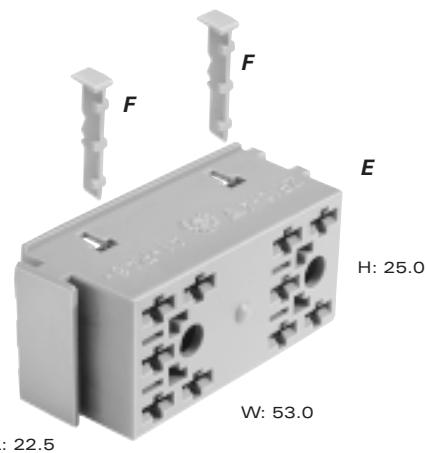
A PART NO: **15363846**
 DESCRIPTION: Connector 25F
 SIZE: 93.0L x 22.0H x 11.7W
 COLOR: Yellow
 MATERIAL: PA66
 TERMINALS: See Page 248
 TYPICAL APP: Alarm



B PART NO: **15327416**
 DESCRIPTION: Connector Assembly 26F
 SIZE: 44.5L x 35.5H x 23.0W
 COLOR: Black
 MATERIAL: PA66
 TERMINALS: See Page 248
 TYPICAL APP: Radio



A PART NO: 15344630
 DESCRIPTION: Connector 5F
 SIZE: 22.0L x 25.4H x 21.0W
 COLOR: Black
 MATERIAL: PA66
 TERMINALS: See Page 248
 TYPICAL APP: 5-Way Switch



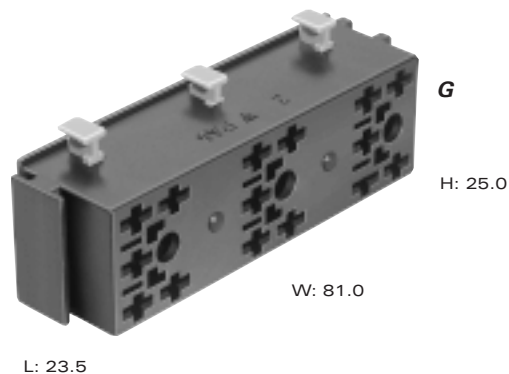
E PART NO: 12185521
 DESCRIPTION: Connector 10F
 SIZE: 22.5L x 25.0H x 53.0W
 COLOR: Blue
 MATERIAL: PA6
 TERMINALS: See Page 248
 TYPICAL APP: Double 5-Way Switch

B PART NO: 12147500
 DESCRIPTION: Secondary Lock
 COLOR: Yellow
 MATERIAL: PA66 25% GF

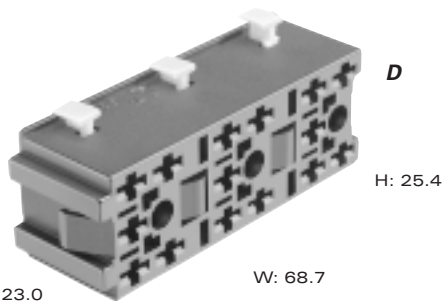
F PART NO: 12185243
 DESCRIPTION: Secondary Lock
 NUMBER REQ: 2
 COLOR: Gray
 MATERIAL: PA6 15% GF



C PART NO: 12147496
 DESCRIPTION: Connector Assembly 10F
 SIZE: 24.2L x 25.2H x 59.0W
 COLOR: Black
 MATERIAL: PA66
 TERMINALS: See Page 248
 TYPICAL APP: Double 5-Way Switch



G PART NO: 10740413
 DESCRIPTION: Connector Assembly 15F
 SIZE: 23.5L x 25.0H x 81.0W
 COLOR: Black
 MATERIAL: PA6
 TERMINALS: See Page 248
 TYPICAL APP: Triple 5-Way Switch



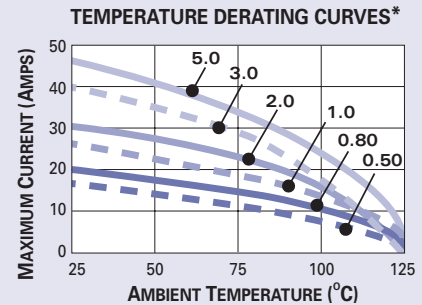
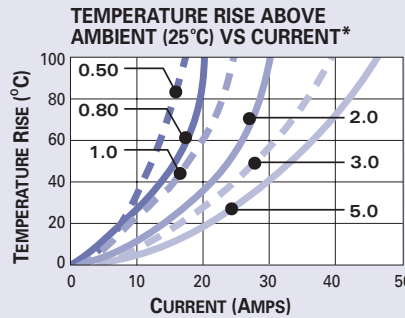
D PART NO: 12147497
 DESCRIPTION: Connector Assembly 15F
 SIZE: 23.0L x 25.4H x 68.7W
 COLOR: Black
 MATERIAL: PA66
 TERMINALS: See Page 248
 TYPICAL APP: Triple 5-Way Switch



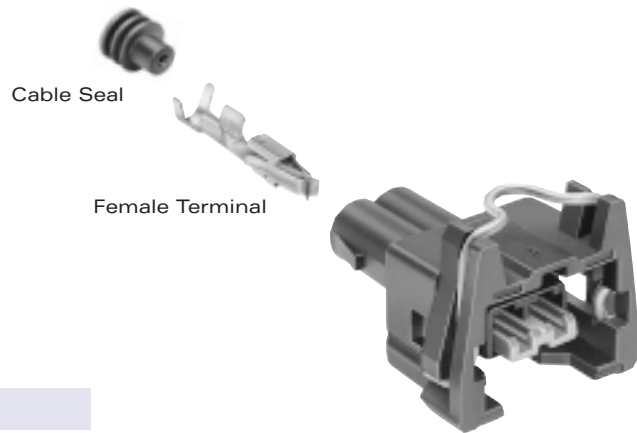
Sealed System Application Information

CABLE RANGE (mm²): 0.5-2.5
 CURRENT RANGE (AMPS): 19
 TEMP RANGE °C: -40 to 125
 RESISTANCE: <10mΩ@20mV
 VOLTAGE DROP: <4.0mV/amp
 CENTERLINE SPACING (mm): 5.0
 BLADE WIDTH (mm): 2.8

280 SERIES TERMINALS - Tin Plated



*The test data are based on single circuits in free space and were generated using a "Lumped Resistance" model. This model does not account for all of the variables that would be present in an actual application. For actual product performance, contact your regional support representative at the number listed below.



DS 280 FEMALE TERMINALS SEALED

Part #	Cable Range (mm ²)	Material	Plating
12157739	1.0-0.50	Bronze	Tin
12157740	2.5-1.0	Bronze	Tin
12198102	1.0-0.50	Bronze	Tin
12198103	2.5-1.0	Bronze	Tin



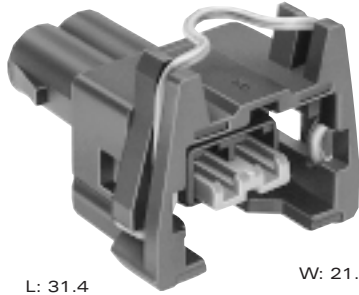
DS 280 CABLE SEALS

Reel Part #	Loose Part #	Cable Diameter	Material	Color
12015360	10720851	4.30-3.45	Silicone	Blue
12015359	12010293	3.49-2.81	Silicone	Lt. Gray
12015284	12015323	2.85-2.03	Silicone	Green
12041352	12041351	2.42-2.03	Silicone	Tan
12089444	12089679	2.15-1.60	Silicone	Purple
12034365	12015899	1.70-1.29	Silicone	Dk. Red

DS FEMALE CONNECTOR ASSEMBLIES SEALED

# Cavities	Connector Assembly	Color	Material
2	12196895	Black	PA66 30% GF
2	15364309	Black	PA66 30% GF
3	12158456	Black	PA66 30% GF
3	15364318	Yellow	PA66 30% GF
5	12158457	Black	PA66 30% GF

<http://delphi.com/products/connect>

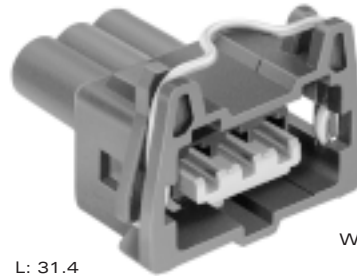


A

H: 24.0

L: 31.4

W: 21.0



D

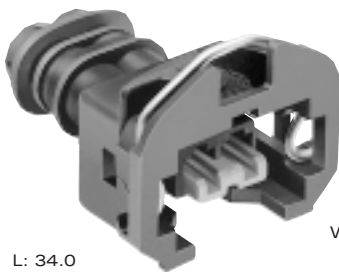
H: 29.0

L: 31.4

W: 21.0

A PART NO: 12196895
 DESCRIPTION: Connector Assembly 2F
 SIZE: 31.4L x 24.0H x 21.0W
 COLOR: Black
 MATERIAL: PA66 30% GF
 TERMINALS: See Page 252
 SEALS: See Page 252
 TYPICAL APP: Injector

D PART NO: 12158456
 DESCRIPTION: Connector Assembly 3F
 SIZE: 31.4L x 29.0H x 21.0W
 COLOR: Black
 MATERIAL: PA66 30% GF
 TERMINALS: See Page 252
 SEALS: See Page 252
 TYPICAL APP: Fuel Pump

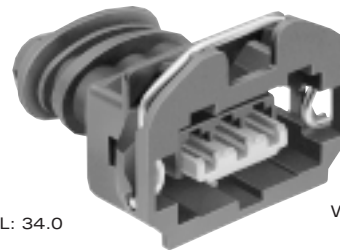


B

H: 27.0

L: 34.0

W: 22.4



E

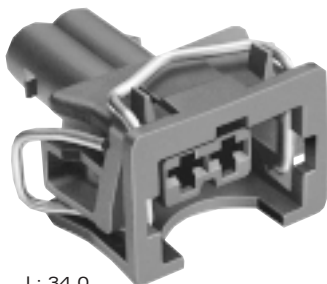
H: 32.0

L: 34.0

W: 23.4

B PART NO: 15364309
 DESCRIPTION: Connector Assembly 2F
 SIZE: 34.0L x 27.0H x 22.4W
 COLOR: Black
 MATERIAL: PA66 30% GF
 TERMINALS: See Page 252
 SEALS: See Page 252
 TYPICAL APP: Injector

E PART NO: 15364318
 DESCRIPTION: Connector Assembly 3F
 SIZE: 34.0L x 32.0H x 23.4W
 COLOR: Black
 MATERIAL: PA66 30% GF
 TERMINALS: See Page 252
 SEALS: See Page 252
 TYPICAL APP: Fuel Pump

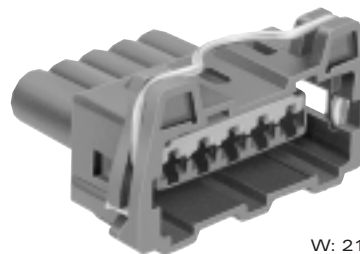


C

H: 18.8

L: 34.0

W: 31.0



F

H: 30.0

L: 31.4

W: 21.0

C PART NO: 12084126
 DESCRIPTION: Connector Assembly 2F
 SIZE: 34.0L x 18.8H x 31.0W
 COLOR: Black
 MATERIAL: PA66 30% GF
 TERMINALS: See Page 252
 TYPICAL APP: Injector

F PART NO: 12158457
 DESCRIPTION: Connector Assembly 5F
 SIZE: 31.4L x 39.0H x 21.0W
 COLOR: Black
 MATERIAL: PA66 30% GF
 TERMINALS: See Page 252
 SEALS: See Page 252
 TYPICAL APP: Ignition System

Electrical Centers Modular & Traditional



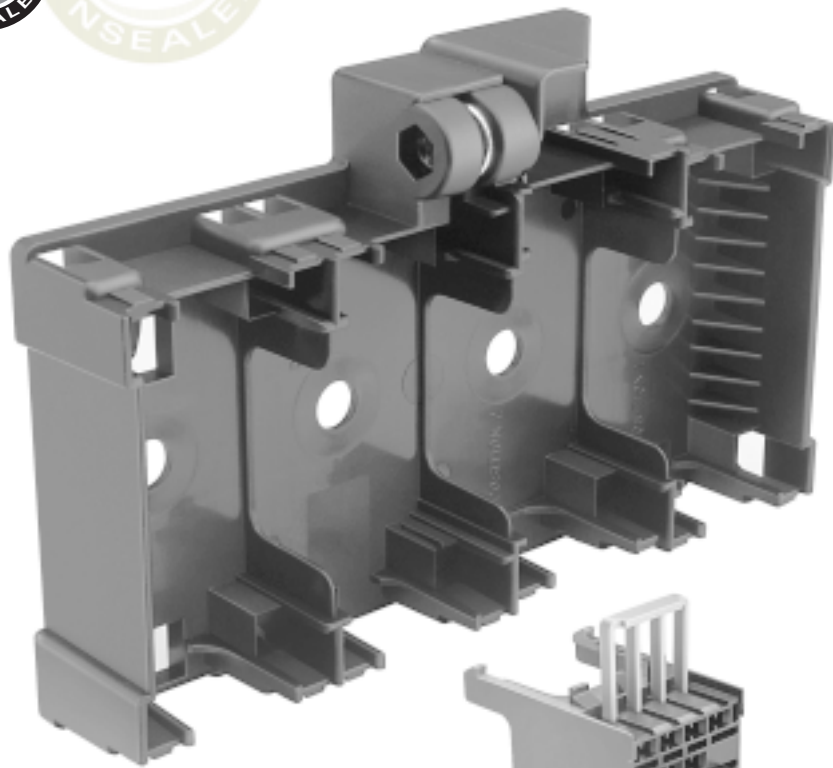
Delphi Connection Systems designs and manufactures various types of electrical centers to meet all unique customer requirements. Delphi Packard's Electrical Centers can be custom designed or supplied from existing designs to meet your needs. Centers are available in Modular and Traditional style, and have the flexibility to accept both SAE and ISO approved device footprints.



Electrical Center Features

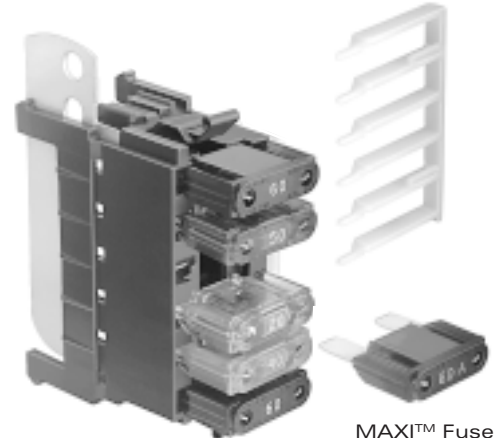
- Centralizes all circuit protection within a wiring system
- Accommodates Mini-Relay and Micro-Relays as well as MINI® Fuses and MAXI™ Fuses
- Modular Electrical Centers create a unique electrical center by combining appropriate modules into a standardized base

ELECTRICAL CENTERS



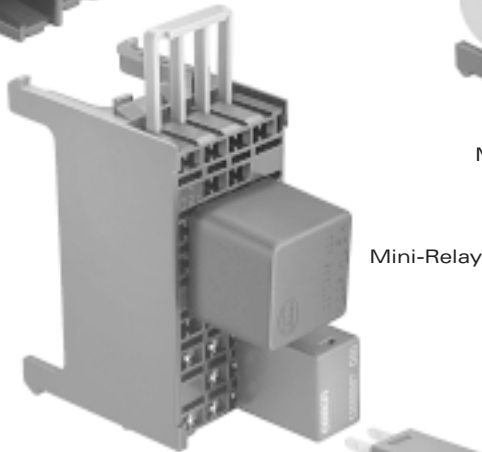
Electrical Center Base

Secondary Lock



MaxiFuse Module

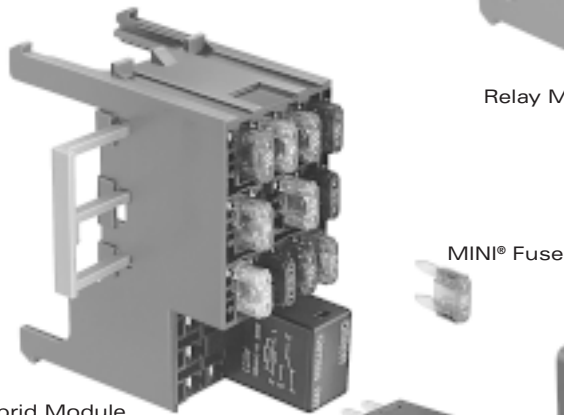
MAXI™ Fuse



Mini-Relay

Relay Module

Micro-Relay



Hybrid Module

MINI® Fuse

Micro-Relay



Cover



Secondary Lock



Cover

SECTION NOTES:

Contact your regional support representative at the number listed below for assistance in selecting the appropriate Electrical Center to meet your need.

- Diodes and Fuses may be purchased directly from the manufacturer.



MiniFuse Module



MINI® Fuse



Cover

MINIFUSE MODULES

Part#	Application	Color	Material	Secondary Lock	Cover	Latch
12191544	20 MINI® Fuses	Black	PA66 HS IM 14% GF	12146947	15324032	–
12177145	28 MINI® Fuses	Black	PA66 HS IM 14% GF	12092507	12110043	12077530

MAXIFUSE MODULES

Part#	Application	Color	Material	Secondary Lock	Cover	Latch
12110129	6 MAXI™ Fuses RT Battery Feed	Black	PA66 HS 33% GF	12077563	–	–
12077569	6 MAXI™ Fuses LT Battery Feed	Black	PA66 HS 33% GF	12077563	–	–
12092231	8 MAXI™ Fuses RT Battery Feed	Black	PA66 HS 33% GF	12077532	12077538	12077530
12092220	8 MAXI™ Fuses LT Battery Feed	Black	PA66 HS 33% GF	12077532	12077538	12077530

RELAY MODULES

Part#	Application	Color	Material	Secondary Lock	Cover	Latch
12077571	6 Micro-Relays	Black	PA66 HS IM	12077572	12160897	12077530
12077574	2 Mini-Relays	Black	PA66 HS IM	12033872	12160897	12077530
12146836	1 Mini/2 Micro-Relays	Black	PA66 HS IM	12146835	15324032	–

HYBRID MODULES (Combination of Fuse and Relay Cavities)

Part#	Application	Color	Material	Secondary Lock	Cover	Latch
12160504	MINI® Fuse, Mini-Relay, Micro-Relay	Black	PA66 HS IM 14% GF	12160541	12160897	12077530
12110594	6 MINI® Fuses 4 Micro-Relays	Black	PA66 HS IM 14% GF	12110595	12110602	12077530
12146815	12 MINI® Fuses, 1 Mini-Relay or 2 Micro-Relays	Black	PA66 HS IM 14% GF	12146816 12146817	15324032	–
12191848	MINI® Fuse, MAXI™ Fuse, Mini-Relay, Micro-Relay	Black	PA66 HS IM 14% GF	12191849	15305152	12077530

ELECTRICAL CENTER BASES

Part#	Application	Color	Material
12084910	1 Module	Black	PA6
12092741	3 Modules	Black	PA6
12092328	3 Modules w/Battery Feed	Black	PA6
12129121	4 Modules w/Battery Feed	Black	PA6
12110041	4 Modules	Black	PA6
12191497	1 Module	Black	PA6
12077534	1 Module w/Battery Feed	Black	PA6

<http://delphi.com/products/connect>



**280 METRI-PACK BUS BAR FEMALE TERMINALS UNSEALED
15.0mm CENTERLINE SPACING**

Base Part # to Order	Type	Cable Range (mm ²)	Part # After Termination	Material	Plating
12160635	1Way	5.0	12160643	Beryllium Copper	Tin
12160636	1Way	3.0 - 2.0	12160644	Beryllium Copper	Tin
12160637	1Way	1.0 - 0.80	12160645	Beryllium Copper	Tin
12160638	1Way	0.50 - 0.35	12160646	Beryllium Copper	Tin
12160641	1Way	1.0 - 0.80 (2 Req'd.)	12160665	Beryllium Copper	Tin
12160640	1Way	0.50 (2 Req'd.)	12160663	Beryllium Copper	Tin
12160642	1Way	0.35 (2 Req'd.)	12160667	Beryllium Copper	Tin
12160635	2Way	5.0	12160648	Beryllium Copper	Tin
12160636	2Way	3.0 - 2.0	12160649	Beryllium Copper	Tin
12160637	2Way	1.0 - 0.80	12160650	Beryllium Copper	Tin
12160641	2Way	1.0 - 0.80 (2 Req'd.)	12160666	Beryllium Copper	Tin
12160635	3Way	5.0	12160652	Beryllium Copper	Tin
12160636	3Way	3.0 - 2.0	12160653	Beryllium Copper	Tin
12160637	3Way	1.0 - 0.80	12160654	Beryllium Copper	Tin
12160638	3Way	0.50 - 0.35	12160655	Beryllium Copper	Tin
12160640	3Way	0.50 (2 Req'd.)	12160664	Beryllium Copper	Tin
12160635	4Way	5.0	12160657	Beryllium Copper	Tin
12160636	4Way	3.0 - 2.0	12160658	Beryllium Copper	Tin
12160635	5Way	5.0	12160660	Beryllium Copper	Tin
12160636	5Way	3.0 - 2.0	12160661	Beryllium Copper	Tin
12160635	6Way	5.0	12160662	Beryllium Copper	Tin



**280 METRI-PACK BUS BAR FEMALE TERMINALS UNSEALED
16.2mm CENTERLINE SPACING**

Base Part # to Order	Type	Cable Range (mm ²)	Part # After Termination	Material	Plating
12110710	2Way	5.0	12110717	Beryllium Copper	Tin
12110709	2Way	3.0 - 2.0	12110713	Beryllium Copper	Tin
12110708	2Way	1.0 - 0.80	12110711	Beryllium Copper	Tin
12110710	3Way	5.0	12110718	Beryllium Copper	Tin
12110709	3Way	3.0 - 2.0	12110714	Beryllium Copper	Tin
12110708	3Way	1.0 - 0.80	12110712	Beryllium Copper	Tin
12110710	4Way	5.0	12110719	Beryllium Copper	Tin
12110709	4Way	3.0 - 2.0	12110715	Beryllium Copper	Tin
12110710	5Way	5.0	12110720	Beryllium Copper	Tin
12110709	5Way	3.0 - 2.0	12110716	Beryllium Copper	Tin



280 METRI-PACK FEMALE TERMINALS UNSEALED

Part #	Cable Range (mm ²)	Material	Plating
12015858	5.0	Tin Brass	Tin
12129494	3.0 - 2.0	Tin Brass	Tin
12066214	2.0 - 1.0	Tin Brass	Tin
12034046	1.0 - 0.80	Tin Brass	Tin
12052217	0.50 - 0.35	Tin Brass	Tin



<http://delphi.com/products/connect>



TANGLISS



280 METRI-PACK BUS BAR TANGLISS FEMALE TERMINALS UNSEALED 16.2mm CENTERLINE SPACING

Base Part # to Order	Type	Cable Range (mm ²)	Part # After Termination	Material	Plating
12110647	1Way	5.0	12110657	Beryllium Copper	Tin
12110646	1Way	3.0 - 2.0	12110652	Beryllium Copper	Tin
12110645	1Way	1.0 - 0.80	12110649	Beryllium Copper	Tin
12110644	1Way	0.50 - 0.35	12110648	Beryllium Copper	Tin
12110662	1Way	1.0 - 0.80 (2 Req'd.)	12110663	Beryllium Copper	Tin
12110664	1Way	0.35 (2 Req'd.)	12110665	Beryllium Copper	Tin
12110685	1Way	0.50 (2 Req'd.)	12110686	Beryllium Copper	Tin
12110647	2Way	5.0	12110658	Beryllium Copper	Tin
12110646	2Way	3.0 - 2.0	12110653	Beryllium Copper	Tin
12110645	2Way	1.0 - 0.80	12110650	Beryllium Copper	Tin
12110647	3Way	5.0	12110659	Beryllium Copper	Tin
12110646	3Way	3.0 - 2.0	12110654	Beryllium Copper	Tin
12110645	3Way	1.0 - 0.80	12110651	Beryllium Copper	Tin
12110647	4Way	5.0	12110660	Beryllium Copper	Tin
12110646	4Way	3.0 - 2.0	12110655	Beryllium Copper	Tin
12110647	5Way	5.0	12110661	Beryllium Copper	Tin
12110646	5Way	3.0 - 2.0	12110656	Beryllium Copper	Tin



TANGLISS



280 METRI-PACK TANGLISS FEMALE TERMINALS UNSEALED

Part #	Cable Range (mm ²)	Material	Plating
12129425	5.0	Tin Brass	Tin
12129663	3.0	Tin Brass	Tin
12129424	2.0 - 1.0	Tin Brass	Tin
12110844	0.80	Tin Brass	Tin
12110843	0.50 - 0.35	Tin Brass	Tin
12129061	0.50 - 0.35 (2 Req'd.)	Tin Brass	Tin



480 METRI-PACK RELAY FEMALE TERMINALS UNSEALED

Part #	Cable Range (mm ²)	Material	Plating
12065892	3.0 - 2.0	Silicon Bronze	Tin
12065894	1.0 - 0.80	Silicon Bronze	Tin
12065893	0.50 - 0.35	Silicon Bronze	Tin
12103948	1.0 - 0.80 (2 Req'd.)	Silicon Bronze	Tin
12089236	0.35 (2 Req'd.)	Silicon Bronze	Tin



630 METRI-PACK RELAY FEMALE TERMINALS UNSEALED

Part #	Cable Range (mm ²)	Material	Plating
12084588	5.0	Tin Brass	Tin
12052227	3.0	Tin Brass	Tin
12015865	2.0 - 1.0	Tin Brass	Tin
12015864	1.0 - 0.80	Tin Brass	Tin
12052225	0.50 - 0.35	Tin Brass	Tin
12124559	0.80 - 0.50 (2 Req'd.)	Tin Brass	Tin



<http://delphi.com/products/connect>



630 METRI-PACK FEMALE TERMINALS UNSEALED

Part #	Cable Range (mm ²)	Material	Plating
12084590	5.0	Tin Brass	Tin
12052224	3.0	Tin Brass	Tin
12084596	3.0 (2 Req'd.)	Tin Brass	Tin
12015870	2.0 - 1.0	Tin Brass	Tin
12015869	1.0 - 0.80	Tin Brass	Tin
12020035	0.80 - 0.50 (2 Req'd.)	Tin Brass	Tin
12052222	0.50 - 0.35	Tin Brass	Tin

800 MAXI-FUSE FEMALE TERMINALS UNSEALED

Part #	Cable Range (mm ²)	Material	Plating
12110127	5.0	Tin Brass	Silver/Nickel
12092445	5.0 (2 Req'd.)	Tin Brass	Silver/Nickel
12065916	3.0 - 2.0	Tin Brass	Silver/Nickel
12092444	3.0 (2 Req'd.)	Tin Brass	Silver/Nickel
12110128	2.0 (2 Req'd.)	Tin Brass	Silver/Nickel
12065915	1.0 - 0.80	Tin Brass	Silver/Nickel
12065918	1.0 (2 Req'd.)	Tin Brass	Silver/Nickel

800 MAXI-FUSE BUS BAR FEMALE TERMINALS UNSEALED

Part #	Material	Plating
12146564	Copper Alloy/SST	Silver/Nickel
12065930	Copper Alloy/SST	Silver/Nickel

Both required for Electrical Center 12146281, page 275

RING TERMINALS

Stud Size	Hole Dia.	Part #	Cable Range (mm ²)	Material	Plating
M6	6.70	12103965	8.0	Copper Alloy	Tin
M6	6.70	12103511	1.0 - 0.8 (2 Req'd.)	Copper Alloy	Tin
M6	6.70	12103512	5.0	Copper Alloy	Tin
M6	6.70	12103513	3.0 - 2.0	Copper Alloy	Tin
M6	6.70	12103514	1.0 - 0.80	Copper Alloy	Tin
M8	8.50	12103502	8.0	Copper Alloy	Tin
M8	8.50	12103504	5.0	Copper Alloy	Tin
M8	8.50	12103506	3.0 - 2.0	Copper Alloy	Tin
M8	8.50	12103508	1.0 - 0.80	Copper Alloy	Tin

<http://delphi.com/products/connect>



6.3 VF FEMALE TERMINALS UNSEALED

Part #	Cable Range (mm ²)	Material	Plating
12185268	1.0-0.50	Copper Nickel Silicone	Tin
12185269	2.5 - 0.50	Copper Nickel Silicone	Tin
12157764	4.0	Copper Nickel Silicone	Tin



AF FEMALE TERMINALS UNSEALED

Part #	Cable Range (mm ²)	Material
12131456	1.0-0.50	CuZn 30
12131448	2.5-1.5	CuZn 30
12131455	6.0-4.0	CuZn 30



TANGLISS



280 METRI-PACK TANGLISS FEMALE TERMINALS SEALED

Part #	Cable Range (mm ²)	Material	Plating
12110853	5.0 - 3.0	Tin Brass	Tin
12129409	2.0	Tin Brass	Tin



630 METRI-PACK PULL-TO-SEAT FEMALE TERMINALS

Part #	Cable Range (mm ²)	Material	Plating
12033997	3.0	Tin Brass	Tin
12066614	2.0 - 1.0	Tin Brass	Tin
12020156	0.80 - 0.50	Tin Brass	Tin



280 METRI-PACK CABLE SEALS

Reel Part #	Loose Part #	Cable Diameter	Material	Color
12015360	12015193	4.30-3.45	Silicone	Blue
12015359	12010293	3.49-2.81	Silicone	Lt. Gray
12015284	12015323	2.85-2.03	Silicone	Green
12041352	12041351	2.42-2.03	Silicone	Tan
12089444	12089679	2.15-1.60	Silicone	Purple
12034365	12015899	1.70-1.29	Silicone	Dk. Red



280 METRI-PACK CAVITY PLUG*

Part #	Cavity Inside Diameter	Material	Color
12010300	6.7mm	Silicone	Green

*Cavity plugs seal unused female and male cavities.



PULL-TO-SEAT CABLE SEAL PLUGS*

Part #	Description	Material	Color	Cable Range (mm ²)	Type
12065266	Seal Plug	PA6	Md. Gray	1.85-1.65	Machine Insertion
12034413	Seal Plug	PA66 HS IM	Black	1.85-1.10	Hand Insertion

*Cavity plugs seal unused female and male cavities.



<http://delphi.com/products/connect>

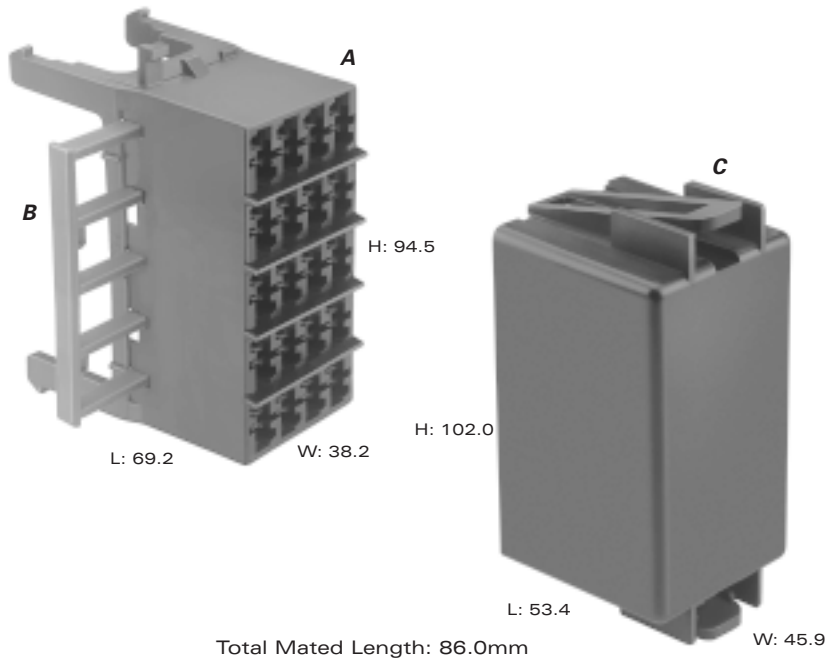


MiniFUSE MODULES

A PART NO: 12191544
 DESCRIPTION: MiniFuse Module
 SIZE: 69.2L x 94.5H x 38.2W
 COLOR: Black
 MATERIAL: PA66 HS IM 14% GF
 TERMINALS: See Page 260 Bus Bar
 15.0mm Centerline
 APPLICATION: 20 MINI® Fuses

B PART NO: 12146947
 DESCRIPTION: Secondary Lock
 COLOR: Blue
 MATERIAL: PA66 HS

C PART NO: 15324032
 DESCRIPTION: Cover
 SIZE: 53.4L x 102.0H x 45.9W
 COLOR: Black
 MATERIAL: PA6

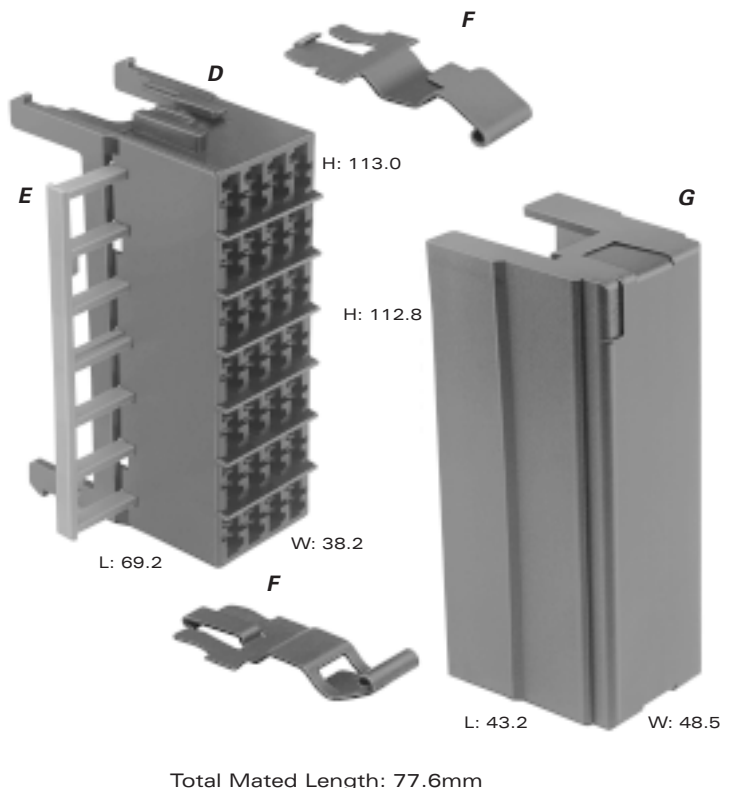


D PART NO: 12177145
 DESCRIPTION: MiniFuse Module
 SIZE: 69.2L x 113.0H x 38.2W
 COLOR: Black
 MATERIAL: PA66 HS IM 14% GF
 TERMINALS: See Page 260 Bus Bar
 15.0mm Centerline
 APPLICATION: 28 MINI® Fuses

E PART NO: 12092507
 DESCRIPTION: Secondary Lock
 COLOR: Blue
 MATERIAL: PBT IM

F PART NO: 12077530
 DESCRIPTION: Latch
 NUMBER REQ: 2
 COLOR: Black
 MATERIAL: 1050 Steel Annealed

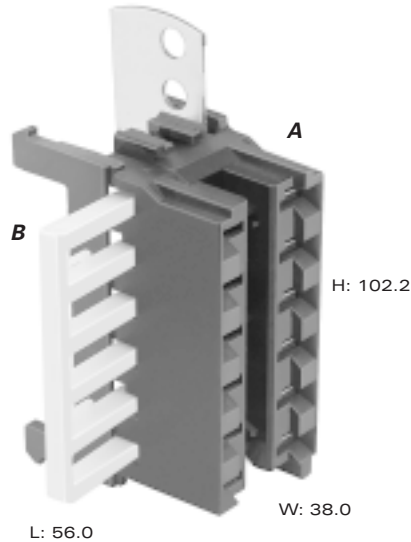
G PART NO: 12110043
 DESCRIPTION: Cover
 SIZE: 43.2L x 112.8H x 48.5W
 COLOR: Black
 MATERIAL: PA66 HS IM 14% GF



<http://delphi.com/products/connect>



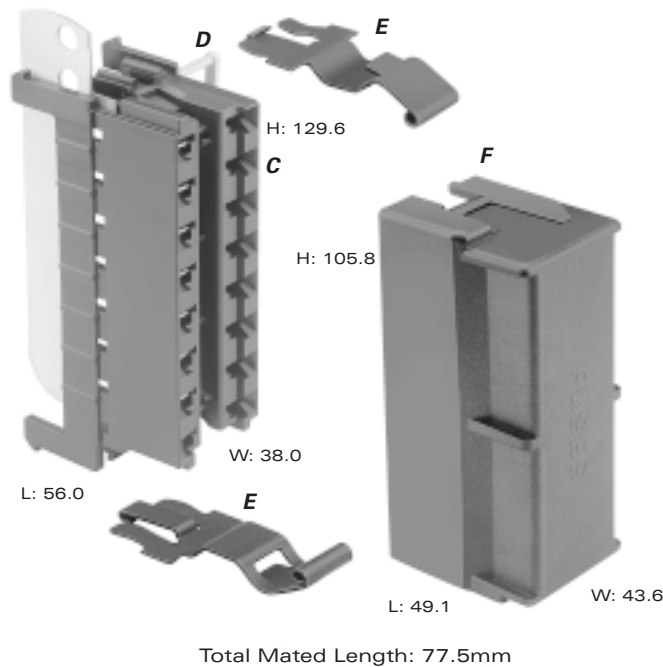
MAXIFUSE MODULES



A PART NO: 12110129 (Right Battery Feed)
12077569 (Left Battery Feed)
12160829 (w/o Bus Bar)

DESCRIPTION: MaxiFuse Assembly Module
SIZE: 56.0L x 102.2H x 38.0W
COLOR: Black
MATERIAL: PA66 HS 33% GF
TERMINALS: See Page 262, 800 MaxiFuse Female
APPLICATION: 6 MAXI™ Fuses

B PART NO: 12077563
DESCRIPTION: Secondary Lock
COLOR: Natural
MATERIAL: PA66 HS



C PART NO: 12092231 (Right Battery Feed)
12092220 (Left Battery Feed.
Base Design Req'd.)
12110415 (w/o Bus Bar)

DESCRIPTION: MaxiFuse Assembly Module
SIZE: 56.0L x 129.6H x 38.0W
COLOR: Black
MATERIAL: PA66 HS 33% GF
TERMINALS: See Page 262, 800 MaxiFuse Female
APPLICATION: 8 MAXI™ Fuses

D PART NO: 12077532
DESCRIPTION: Secondary Lock
COLOR: Natural
MATERIAL: PA66 HS IM

E PART NO: 12077530
DESCRIPTION: Latch
NUMBER REQ: 2
COLOR: Black
MATERIAL: 1050 Steel Annealed

F PART NO: 12077538
DESCRIPTION: Cover
SIZE: 49.1L x 105.8H x 43.6W
COLOR: Black
MATERIAL: PA66 HS IM 14% GF



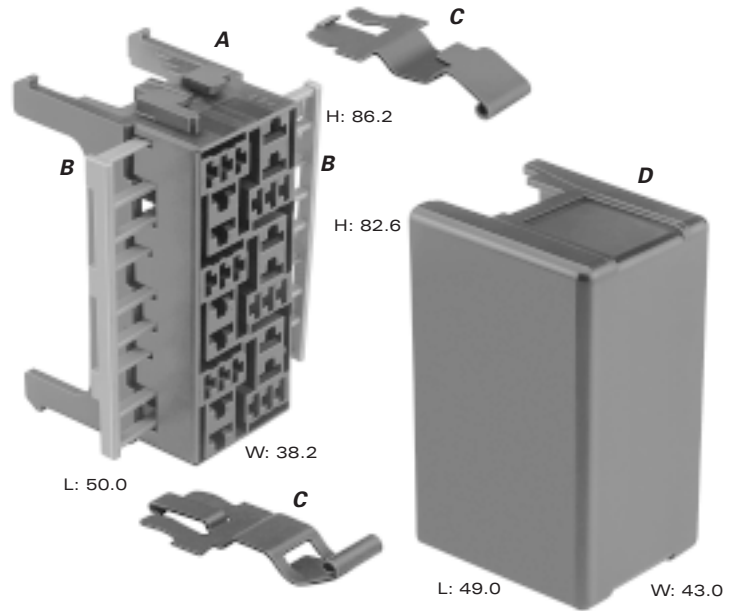
RELAY MODULES

A PART NO: 12077571
 DESCRIPTION: Relay Module
 SIZE: 50.0L x 86.2H x 38.2W
 COLOR: Black
 MATERIAL: PA66 HS IM
 TERMINALS: See Page 261, 262, 480 Metri-Pack Relay and 630 Metri-Pack Female
 APPLICATION: 6 Micro-Relays (ISO)

B PART NO: 12077572
 DESCRIPTION: Secondary Lock
 NUMBER REQ: 2
 COLOR: Blue
 MATERIAL: PBT HS IM

C PART NO: 12077530
 DESCRIPTION: Latch
 NUMBER REQ: 2
 COLOR: Black
 MATERIAL: 1050 Steel Annealed

D PART NO: 12160897
 DESCRIPTION: Cover
 SIZE: 49.0L x 82.6H x 43.0W
 COLOR: Black
 MATERIAL: PA6



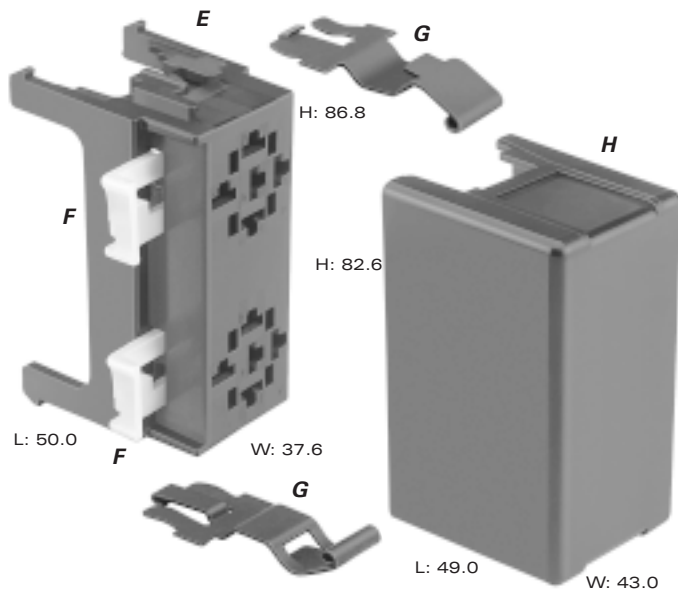
Total Mated Length: 78.2mm

E PART NO: 12077574
 DESCRIPTION: Relay Module
 SIZE: 50.0L x 86.8H x 37.6W
 COLOR: Black
 MATERIAL: PA66 HS IM
 TERMINALS: See Page 261, 630 Metri-Pack Relay
 APPLICATION: 2 Mini-Relays (ISO)

F PART NO: 12033872
 DESCRIPTION: TPA
 NUMBER REQ: 2
 COLOR: Natural
 MATERIAL: PA6

G PART NO: 12077530
 DESCRIPTION: Latch
 NUMBER REQ: 2
 COLOR: Black
 MATERIAL: 1050 Steel Annealed

H PART NO: 12160897
 DESCRIPTION: Cover
 SIZE: 49.0L x 82.6H x 43.0W
 COLOR: Black
 MATERIAL: PA6

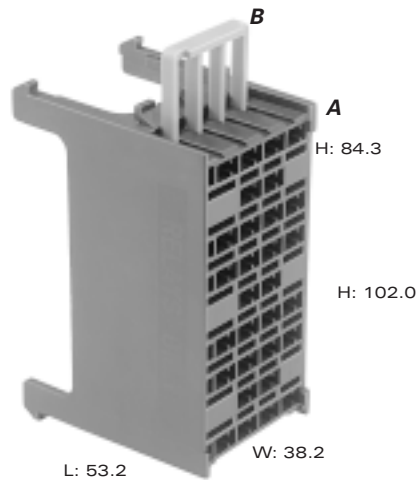


Total Mated Length: 78.2mm

<http://delphi.com/products/connect>



RELAY MODULES



A PART NO: **12146836**
DESCRIPTION: Relay Module
SIZE: 53.2L x 84.3H x 38.2W
COLOR: Black
MATERIAL: PA66 HS IM
TERMINALS: See Page 261, 280 Metri-Pack Tangless
APPLICATION: 1 Mini-Relay / 2 Micro-Relays

B PART NO: **12146835**
DESCRIPTION: Secondary Lock
COLOR: Blue
MATERIAL: PA66 HS IM

C PART NO: **15324032**
DESCRIPTION: Cover
SIZE: 53.4L x 102.0H x 45.9W
COLOR: Black
MATERIAL: PA6

Total Mated Length: 82.1mm





HYBRID MODULES

TANGLESS

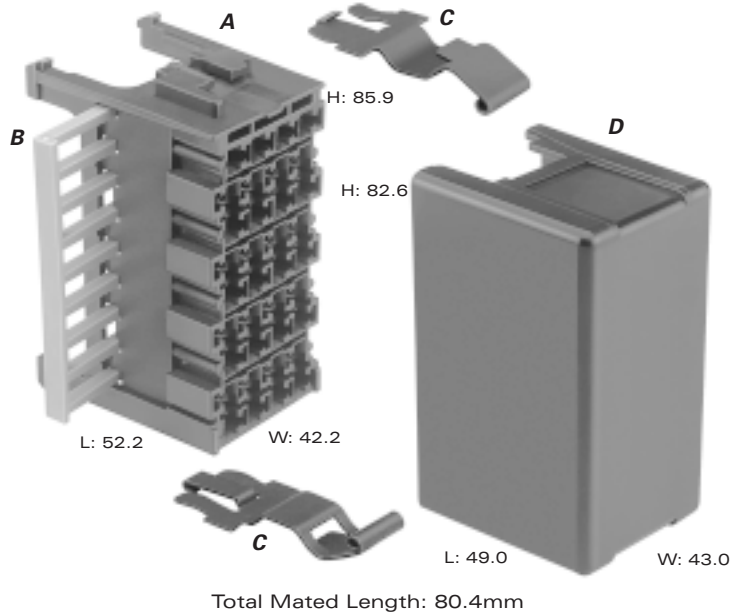


A PART NO: 12160504
 DESCRIPTION: Hybrid Module
 SIZE: 52.2L x 85.9H x 42.2W
 COLOR: Black
 MATERIAL: PA66 HS IM 14% GF
 TERMINALS: See Page 261, 280 Bus Bar 16.2mm Centerline Tangless
 APPLICATION: MINI® Fuse, Mini-Relay, Micro-Relay
 NOTE: Mylar overlays available upon request

B PART NO: 12160541
 DESCRIPTION: Secondary Lock
 COLOR: Blue
 MATERIAL: PA66 HS IM

C PART NO: 12077530
 DESCRIPTION: Latch
 NUMBER REQ: 2
 COLOR: Black
 MATERIAL: 1050 Steel Annealed

D PART NO: 12160897
 DESCRIPTION: Cover
 SIZE: 49.0L x 82.6H x 43.0W
 COLOR: Black
 MATERIAL: PA6

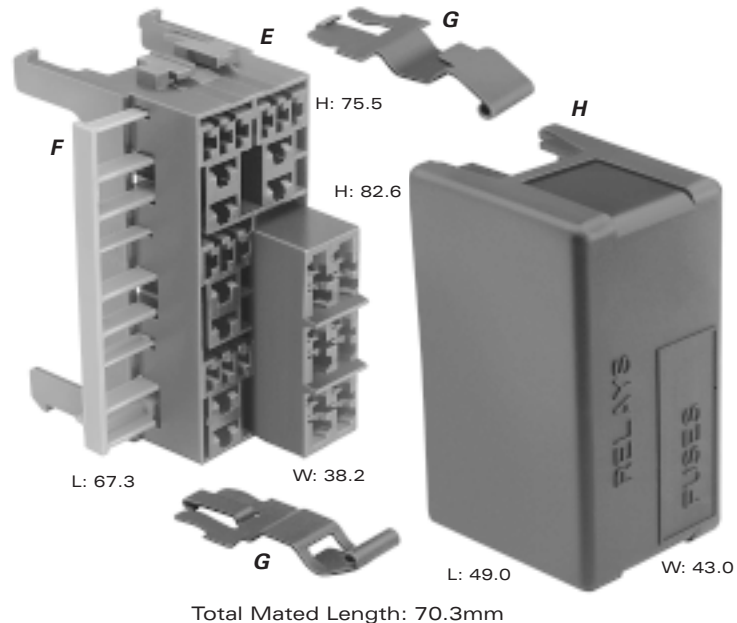


E PART NO: 12110594
 DESCRIPTION: Hybrid Module
 SIZE: 67.3L x 75.5H x 38.2W
 COLOR: Black
 MATERIAL: PA66 HS IM 14% GF
 TERMINALS: See Page 220-262, 280 Bus Bar 15.0mm Centerline, 480 Metri-Pack Relay and 630 Metri-Pack Female
 APPLICATION: 6 MINI® Fuses / 4 Micro-Relays (ISO)

F PART NO: 12110595
 DESCRIPTION: Secondary Lock
 COLOR: Blue
 MATERIAL: PA66 HS IM

G PART NO: 12077530
 DESCRIPTION: Latch
 NUMBER REQ: 2
 COLOR: Black
 MATERIAL: 1050 Steel Annealed

H PART NO: 12110602
 DESCRIPTION: Cover
 SIZE: 49.0L x 82.6H x 43.0W
 COLOR: Black
 MATERIAL: PA66 HS IM

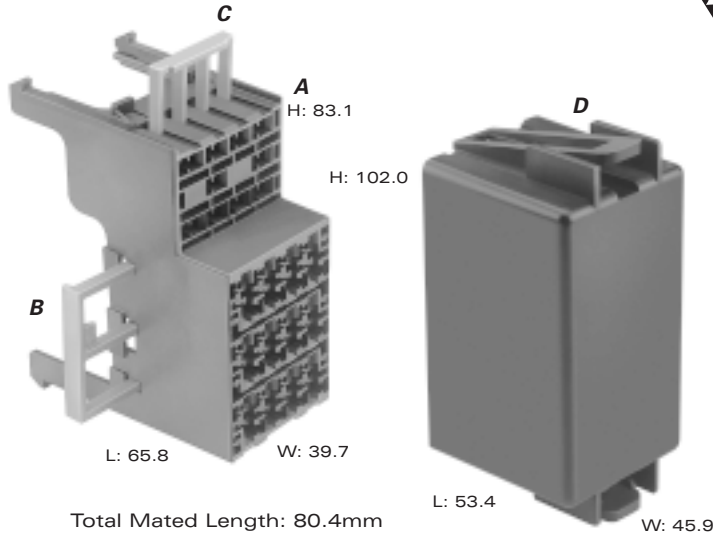


<http://delphi.com/products/connect>



HYBRID MODULES

TANGLESS



A PART NO: 12146815
 DESCRIPTION: Hybrid Module
 SIZE: 65.8L x 83.1H x 39.7W
 COLOR: Black
 MATERIAL: PA66 HS IM 14% GF
 TERMINALS: See Page 261, 280 Bus Bar 16.2mm Centerline Tangless and 280 Metri-Pack Tangless
 APPLICATION: 12 MINI® Fuses / 1 Mini-Relay and 2 Micro-Relays

B PART NO: 12146816
 DESCRIPTION: Secondary Lock
 COLOR: Blue
 MATERIAL: PA66 HS IM

C PART NO: 12146817
 DESCRIPTION: Secondary Lock
 COLOR: Blue
 MATERIAL: PA66 HS IM

D PART NO: 15324032
 DESCRIPTION: Cover
 SIZE: 53.4L x 102.0H x 45.9W
 COLOR: Black
 MATERIAL: PA6

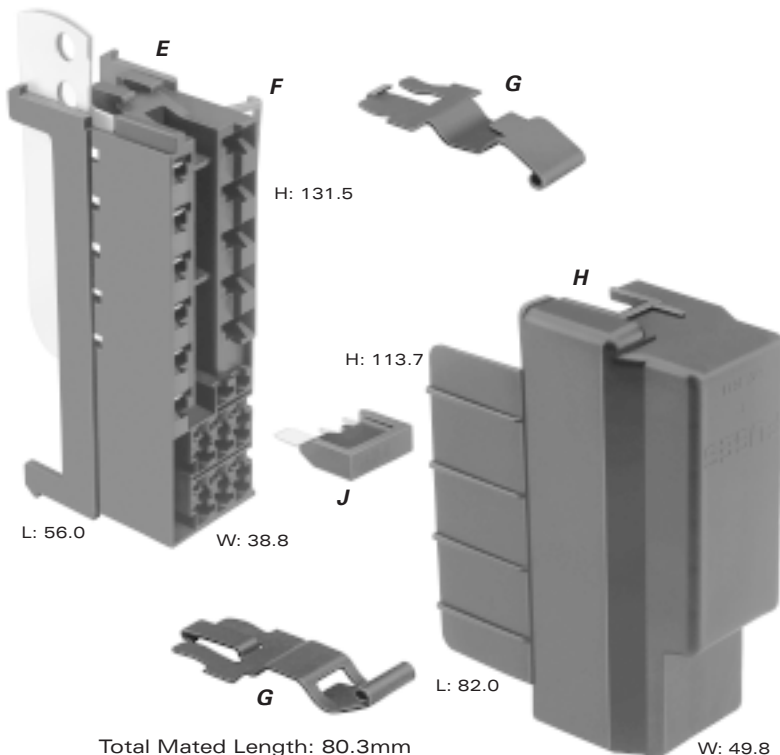
E PART NO: 12191848
12191847 (w/o Bus Bar)
 DESCRIPTION: Hybrid Assembly Module
 SIZE: 56.0L x 131.5H x 38.8W
 COLOR: Black
 MATERIAL: PA66 HS IM 14% GF
 TERMINALS: See Page 260, 262, 280 Bus Bar 15.0mm Centerline and 800 MaxiFuse Female
 APPLICATION: MINI® Fuse, MAXI™ Fuse, Mini-Relay, Micro-Relay

F PART NO: 12191849
 DESCRIPTION: Secondary Lock
 COLOR: Blue
 MATERIAL: PBT

G PART NO: 12077530
 DESCRIPTION: Latch
 NUMBER REQ: 2
 COLOR: Black
 MATERIAL: 1050 Steel Annealed

H PART NO: 15305152
 DESCRIPTION: Cover
 SIZE: 82.0L x 113.7H x 49.8W
 COLOR: Black
 MATERIAL: PP

J PART NO: 12160674
 DESCRIPTION: Shunt
 COLOR: Black
 MATERIAL: PA66 HS IM
 NOTE: Provides Bussing to MINI® Fuses from MAXI™ Fuses

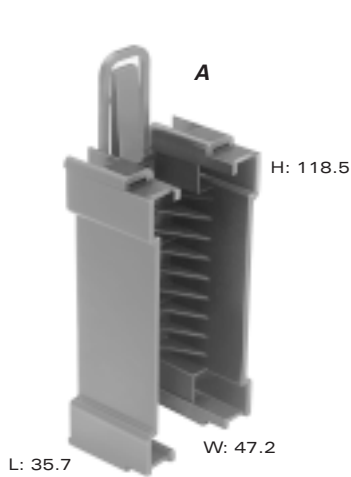


ELECTRICAL CENTER BASE APPLICATION GUIDE

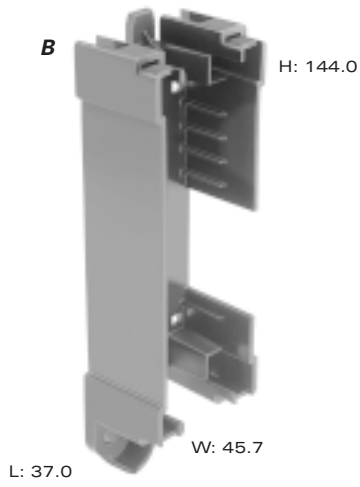
Use this guide to choose the proper base in combining your fuse, relay, and hybrid module assemblies.

BASE STYLE	FUSE MODULES				RELAY MODULES			HYBRID MODULES (FUSES & RELAYS)			
	MINIFUSE		MAXIFUSE								
	12146946	12177145	12110129 12077569 12160829	12092231 12110415	12077571	12077574	12146836	12160504	12110594	12191847 12146815	12191848
	Page 264	Page 264	Page 265	Page 265	Page 266	Page 266	Page 267	Page 268	Page 268	Page 269	Page 269
A 12084910 (1 WAY)	■				■	■	■	■	■	■	
B 12191497 (1 WAY)		■									
C 12077534 (1 WAY W/ BATTERY FEED)				■							■
D 12092741 (3 WAY)	■				■	■	■	■	■	■	
E 12092328 (3 WAY W/ BATTERY FEED)	■		■		■	■	■	■	■	■	
F 12129121 (4 WAY W/ BATTERY FEED)	■		■		■	■	■	■	■	■	
G* 12110041 (4 WAY)	■	■			■	■	■	■	■	■	

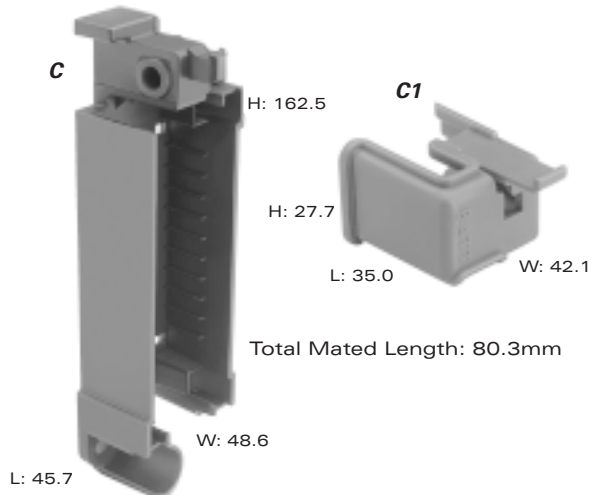
* Note: 1 MiniFuse Module (12177145) and a combination of 3 other modules.



A PART NO: **12084910**
 DESCRIPTION: 1 Way Electrical Center Base
 SIZE: 35.7L x 118.5H x 47.2W
 COLOR: Black
 MATERIAL: PA6
 APPLICATION: 1 Module

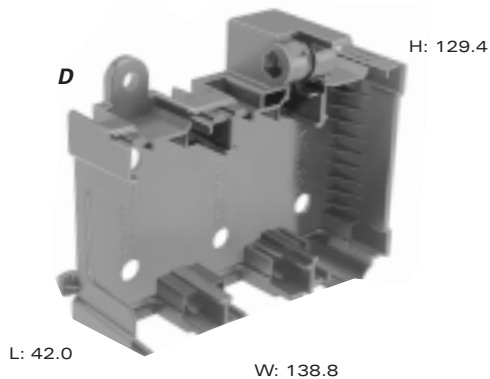


B PART NO: **12191497**
 DESCRIPTION: 1 Way Electrical Center Base
 SIZE: 37.0L x 144.0H x 45.7W
 COLOR: Black
 MATERIAL: PA6
 APPLICATION: 1 Module



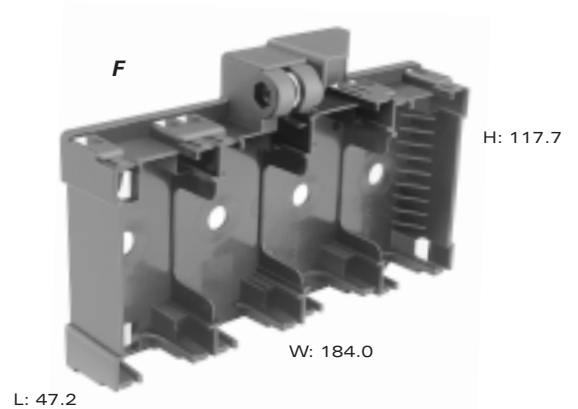
C PART NO: **12077534**
 DESCRIPTION: 1 Way Electrical Center Base Assembly
 SIZE: 45.7L x 162.5H x 48.6W
 COLOR: Black
 MATERIAL: PA6
 APPLICATION: 1 Module (w/ Battery Feed)

C1 PART NO: **12092332 (Horizontal Wire Feed)**
12092669 (Vertical Wire Feed)
 DESCRIPTION: Battery Terminal Cover
 SIZE: 35.0L x 27.7H x 42.1W
 COLOR: Red
 MATERIAL: PA6

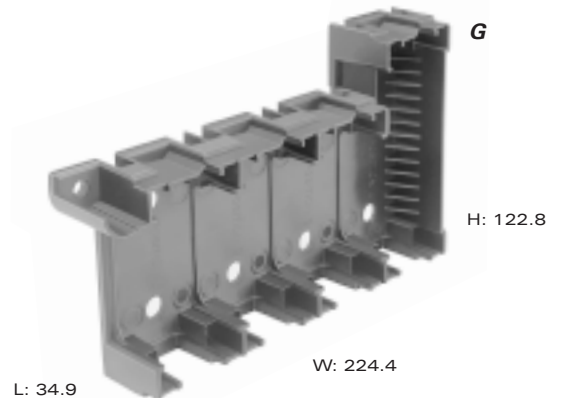


D PART NO: **12092741**
 DESCRIPTION: 3 Way Electrical Center Base
 SIZE: 42.0L x 129.4H x 138.8W
 COLOR: Black
 MATERIAL: PA6
 APPLICATION: 3 Modules

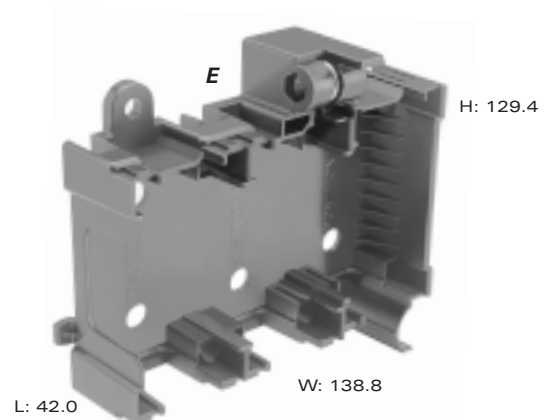
E PART NO: **12092328**
 DESCRIPTION: 3 Way Electrical Center Base Assembly
 SIZE: 42.0L x 129.4H x 138.8W
 COLOR: Black
 MATERIAL: PA6
 APPLICATION: 3 Modules (w/ Battery Feed)

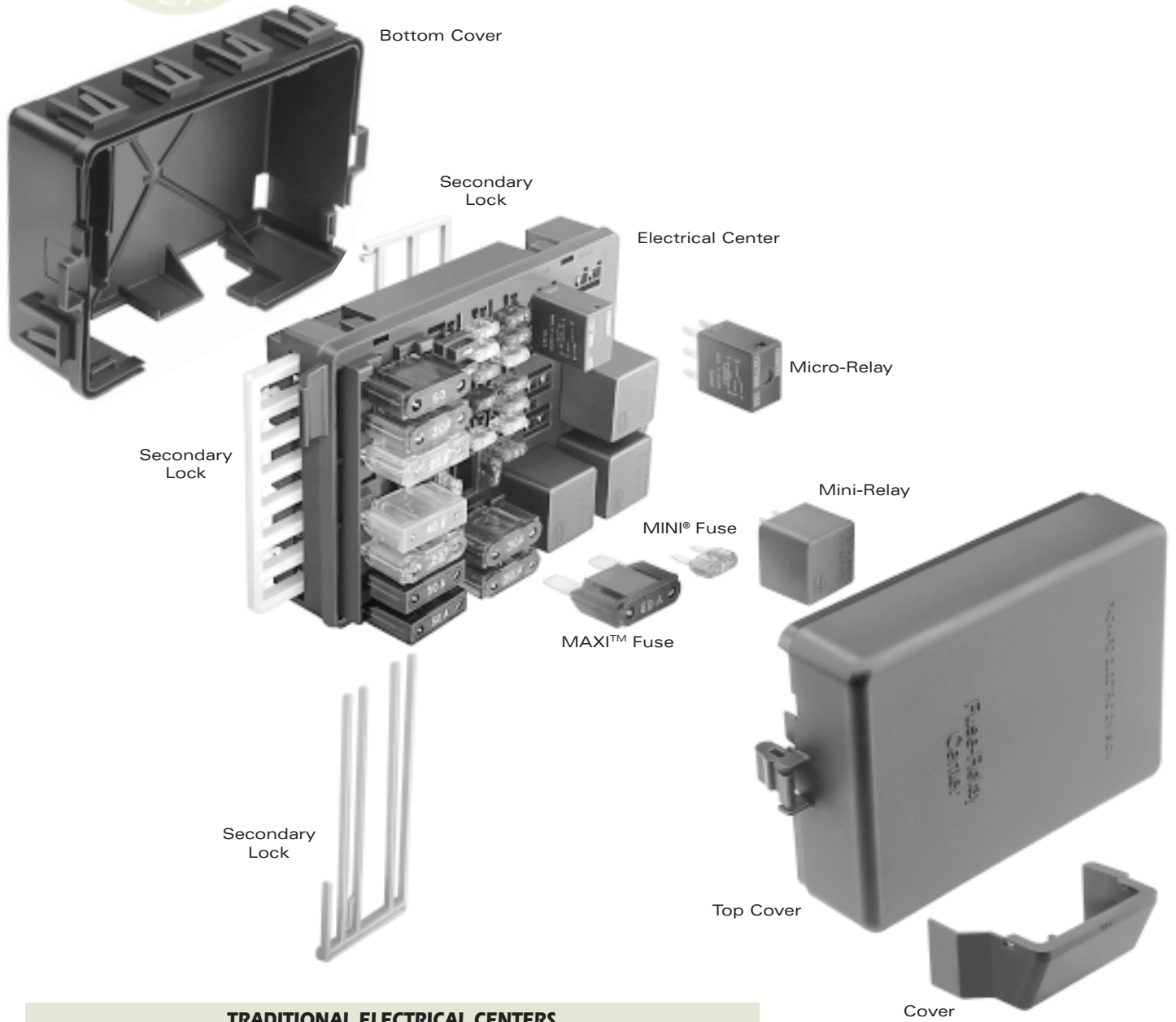


F PART NO: **12129121**
 DESCRIPTION: 4 Way Electrical Center Base Assembly
 SIZE: 47.2L x 117.7H x 184.0W
 COLOR: Black
 MATERIAL: PA6
 APPLICATION: 4 Modules (w/ Battery Feed)



G PART NO: **12110041**
 DESCRIPTION: 4 Way Electrical Center Base
 SIZE: 34.9L x 122.8H x 224.4W
 COLOR: Black
 MATERIAL: PA6
 APPLICATION: 1 MiniFuse Module (12177145) and a combination of 3 other modules





TRADITIONAL ELECTRICAL CENTERS

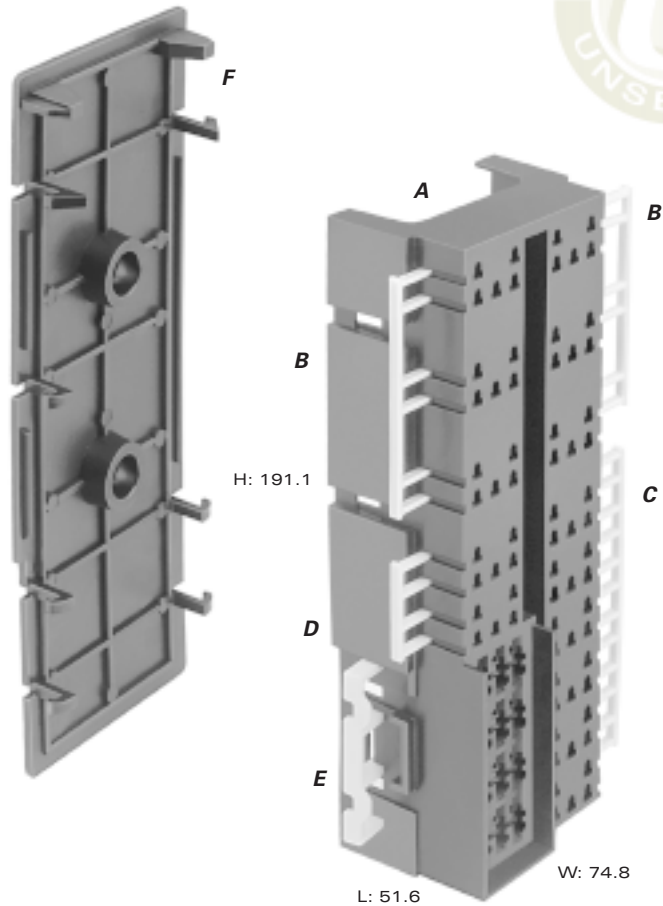
Part Number	Application	Color	Material	Secondary Lock	Cover	Retainer
12129833	12 MINI® Fuses, 14 Relays	Black	PA66 HS IM	12129835	12160906	
				12129834	12160277	
				12129836		
				12129837		
12177037	28 MINI® Fuses 1 Relay 2 Circuit Breakers	Black	PA66 HS IM 14%GF	12160677		12092748
				12160678		
				12160679		
12146281	10 MAXI™ Fuses 16 MINI® Fuses Micro-Relays Mini-Relays 2 Diodes	Black	PA66 HS IM	12146805	12146286	
				12146284	12162365	
				12077532	12160765	
				12146283		

SECTION NOTES:

Contact your regional support representative at the number listed below for assistance in selecting the appropriate Electrical Center to meet your need.

- Circuit breakers, fuses and diodes may be purchased directly from the manufacturer.

<http://delphi.com/products/connect>



Total Mated Length: 54.3mm

A PART NO: 12129833
 DESCRIPTION: Convenience Center
 SIZE: 51.6L x 191.1H x 74.8W
 COLOR: Black
 MATERIAL: PA66 HS IM
 TERMINALS: See Page 260
 APPLICATIONS: 12 MINI® Fuses, 14 Relays
 NOTE: 12160277 Shipping Cover available.

D PART NO: 12129836
 DESCRIPTION: Secondary Lock
 COLOR: Natural
 MATERIAL: PBT

B PART NO: 12129835
 DESCRIPTION: Secondary Lock
 COLOR: Natural
 NUMBER REQ: 2
 MATERIAL: PBT

E PART NO: 12129837
 DESCRIPTION: Secondary Lock
 COLOR: Natural
 MATERIAL: PBT

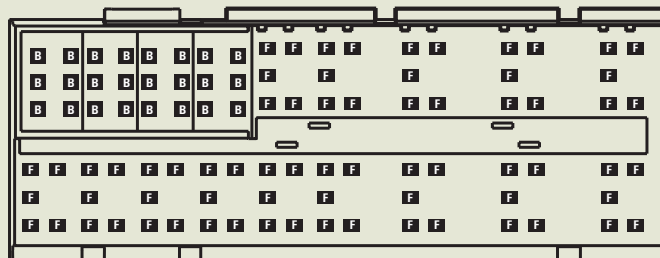
C PART NO: 12129834
 DESCRIPTION: Secondary Lock
 COLOR: Natural
 MATERIAL: PBT

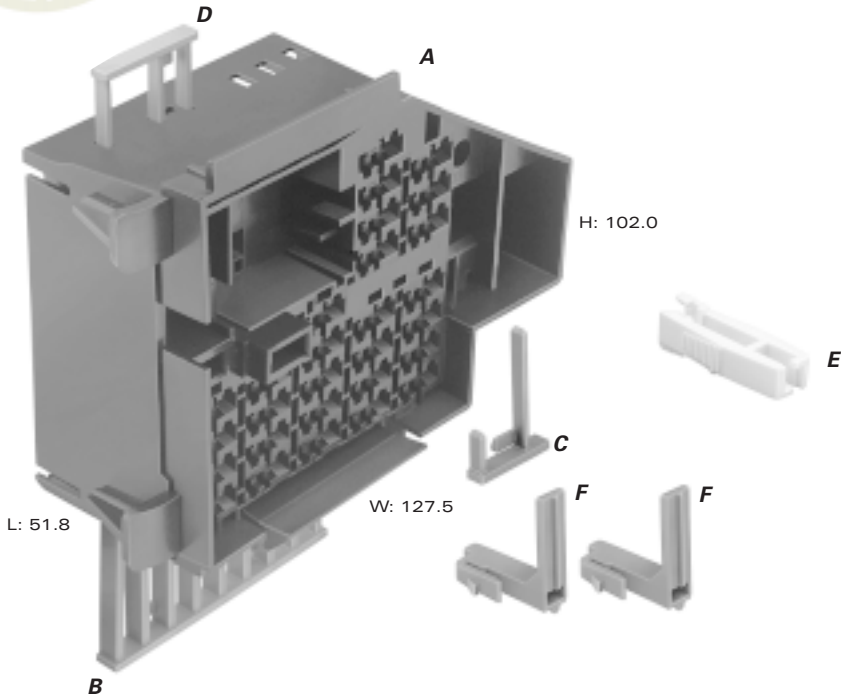
F PART NO: 12160906
 DESCRIPTION: Cover
 COLOR: Black
 MATERIAL: PA66 HS IM

KEY:

- B** – 280 Metri-Pack Bus Bar 16.2mm Centerline
- F** – 280 Metri-Pack

Traditional Electrical Centers feature a combination of different terminal cavities, as indicated by the Key.





Total Mated Length: 51.8mm

A PART NO: 12177037
 DESCRIPTION: Fuseblock
 SIZE: 51.8L x 102.0H x 127.5W
 COLOR: Black
 MATERIAL: PA66 HS IM 14% GF
 TERMINALS: See Page 260
 APPLICATIONS: 28 MINI® Fuses, 1 Relay, 2 Circuit Breakers

D PART NO: 12160679
 DESCRIPTION: Secondary Lock
 COLOR: Blue
 MATERIAL: PBT

B PART NO: 12160677
 DESCRIPTION: Secondary Lock
 COLOR: Blue
 MATERIAL: PBT

E PART NO: 12084791
 DESCRIPTION: Fuse Extractor
 COLOR: White
 MATERIAL: PA66

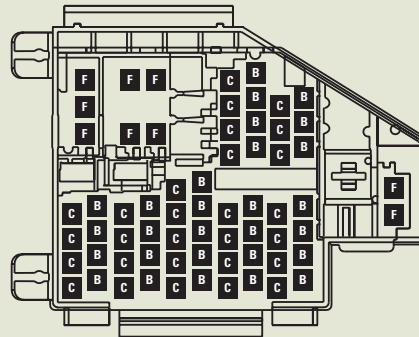
C PART NO: 12160678
 DESCRIPTION: Secondary Lock
 COLOR: Blue
 MATERIAL: PBT

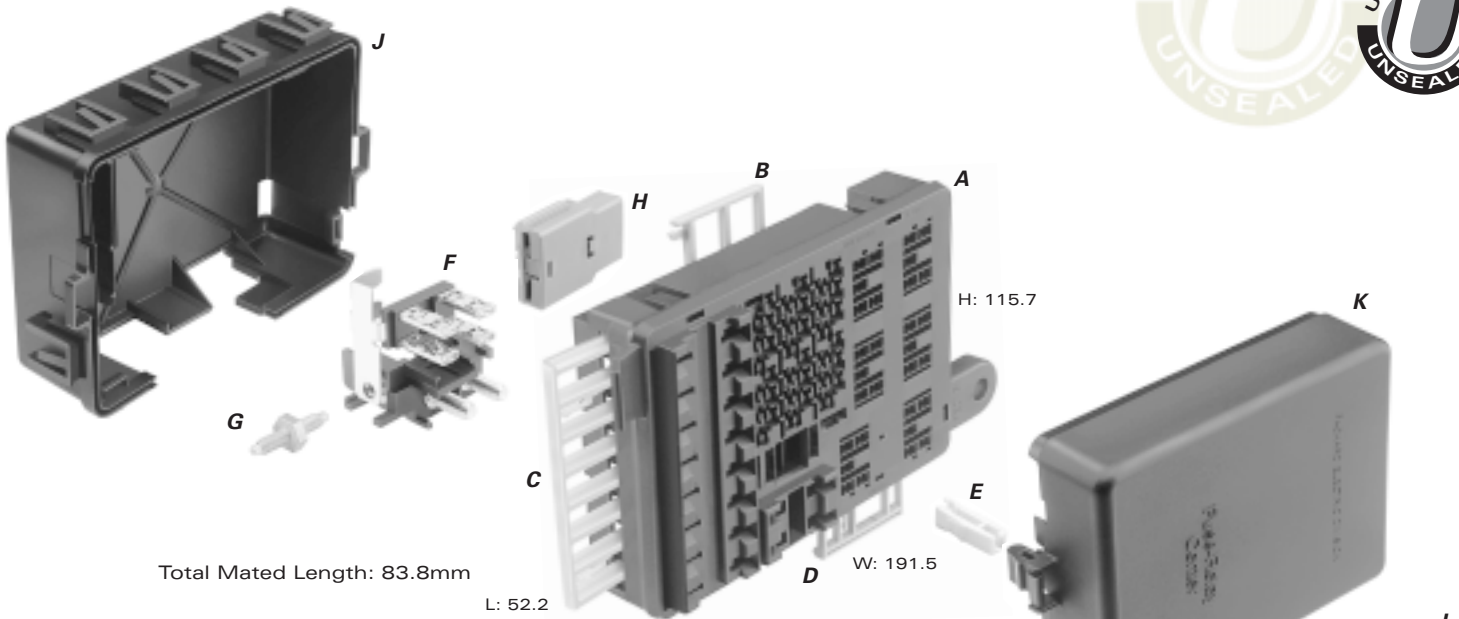
F PART NO: 12092748
 DESCRIPTION: Device Position Assurance
 NUMBER REQ: 2
 COLOR: Red
 MATERIAL: PP

KEY:

- B** – 280 Metri-Pack Bus Bar 16.2mm Centerline
- C** – 280 Metri-Pack Bus Bar 15.0mm Centerline
- F** – 280 Metri-Pack

Traditional Electrical Centers feature a combination of different terminal cavities, as indicated by the Key.





Total Mated Length: 83.8mm

L: 52.2

H: 115.7

W: 191.5

A PART NO: 12146281
 DESCRIPTION: Electrical Center
 SIZE: 52.2L x 115.7H x 191.5W
 COLOR: Black
 MATERIAL: PA66 HS IM
 TERMINALS: See Page 261, 262
 APPLICATIONS: 10 MAXI™ Fuses, 16 MINI® Fuses,
 2 Diodes, Micro-Relays, Mini-Relays

B PART NO: 12146284
 DESCRIPTION: Secondary Lock
 COLOR: Gray
 MATERIAL: PBT

C PART NO: 12077532
 DESCRIPTION: Secondary Lock
 COLOR: Natural
 MATERIAL: PA66 HS IM

D PART NO: 12146283
 DESCRIPTION: Secondary Lock
 COLOR: Gray
 MATERIAL: PBT

E PART NO: 12084791
 DESCRIPTION: Fuse Extractor
 COLOR: White
 MATERIAL: PA66

F PART NO: 12146341
 DESCRIPTION: Bus Stud Terminal Assembly
 COLOR: Black
 MATERIAL: PA66 HS IM 14% GF
 TERMINALS: See Page 262, M8 Ring

G PART NO: 12160759
 DESCRIPTION: Bolt
 MATERIAL: Steel
 TERMINALS: See Page 262, M6 Ring

H PART NO: 12146805
 DESCRIPTION: Secondary Lock
 COLOR: Gray
 MATERIAL: PP

J PART NO: 12146286
 DESCRIPTION: Bottom Cover
 COLOR: Black
 MATERIAL: PA66 HS IM
 NOTE: Cover will accept 6 external relays.

K PART NO: 12162365
 DESCRIPTION: Top Cover
 COLOR: Black
 MATERIAL: PA66 HS IM

L PART NO: 12160765
 DESCRIPTION: Bus Stud Assembly Cover
 COLOR: Black
 MATERIAL: PP IM

KEY:

A – 280 Metri-Pack Bus Bar 16.2
 Centerline Tangless

D – 280 Metri-Pack Tangless

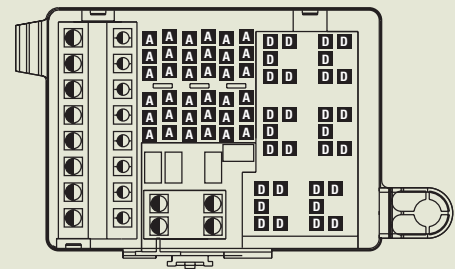
– 800 MaxiFuse Bus Bar

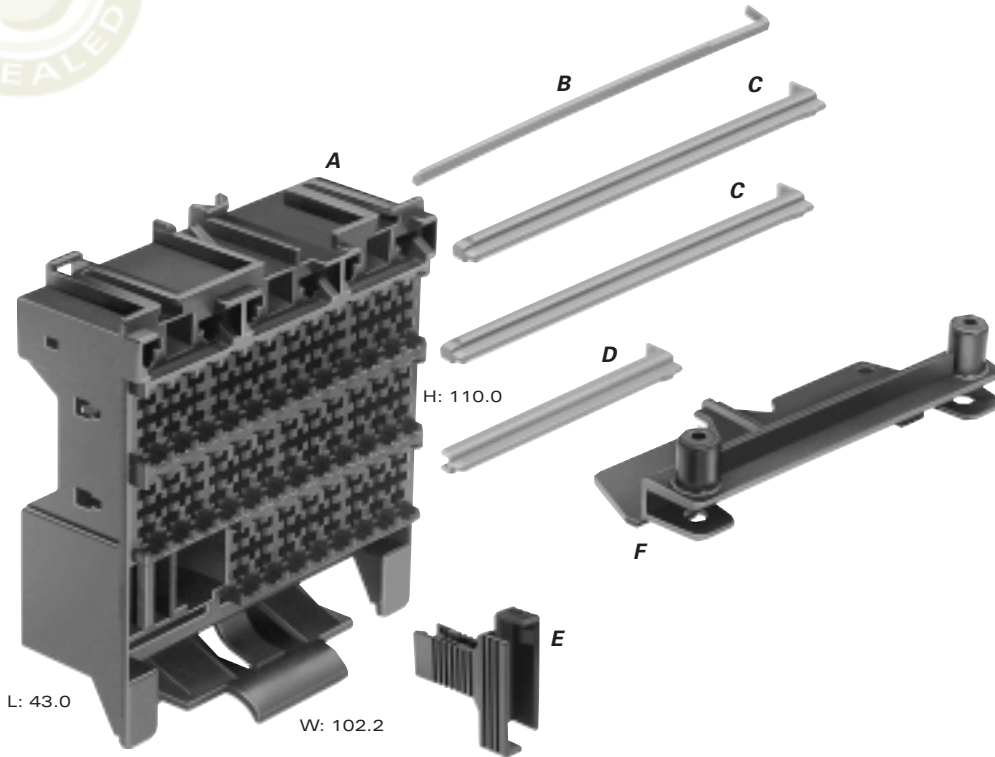
– 800 MaxiFuse

– Spare MINI® Fuse Cavity

• To assemble this electrical system,
 informational drawing 12146337 is available.

Traditional Electrical Centers feature a
 combination of different terminal cavities, as
 indicated by the Key.





Total Mated Length: 60.0mm

A PART NO: 10740483
 DESCRIPTION: Fuseblock
 SIZE: 43.0L x 110.0H x 102.2W
 COLOR: Black
 MATERIAL: PA66 HS
 TERMINALS: See Page 263
 APPLICATIONS: 32 ATO® Fuses, 3 MAXI™ Fuses

B PART NO: 10740484
 DESCRIPTION: Secondary Lock
 COLOR: Gray
 MATERIAL: PA6 15% GF

C PART NO: 10717812
 DESCRIPTION: Secondary Lock
 NUMBER REQ: 2
 COLOR: Gray
 MATERIAL: PA6 15% GF

D PART NO: 10740485
 DESCRIPTION: Secondary Lock
 COLOR: Gray
 MATERIAL: PA6 15% GF

E PART NO: 12185643 (Optional)
 DESCRIPTION: Fuse Extractor
 COLOR: Black
 MATERIAL: PA6

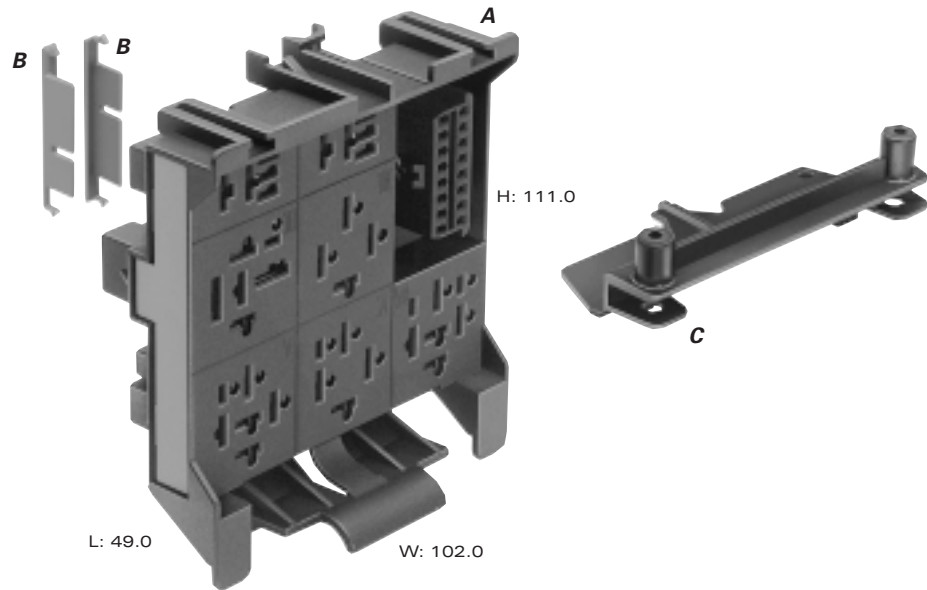
F PART NO: 10718038
 DESCRIPTION: Hinge
 COLOR: Black
 MATERIAL: PP

KEY:

- ▼ 800 Metri-Pack
- ▲ 6.3 VF

Traditional Electrical Centers feature a combination of different terminal cavities, as indicated by the Key.





Total Mated Length: 50.0mm

A PART NO: 10740486
 DESCRIPTION: Relay Block
 SIZE: 49.0L x 111.0H x 102.0W
 COLOR: Black
 MATERIAL: PA6 10% GF 20% GB
 TERMINALS: See Page 263
 APPLICATIONS: 2 Mini Relays, 4 Standard Relays,
 1 Relay, OBD II

C PART NO: 10718038
 DESCRIPTION: Hinge
 COLOR: Black
 MATERIAL: PP

B PART NO: 10740487
 DESCRIPTION: TPA
 NUMBER REQ: 2
 COLOR: Gray
 MATERIAL: PA6 15% GF

SECTION NOTES:

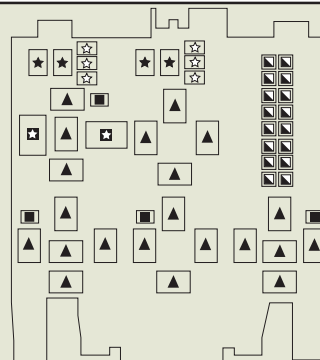
- Contact your regional support representative at the number listed below.
- Terminals available from manufacturer.

KEY:

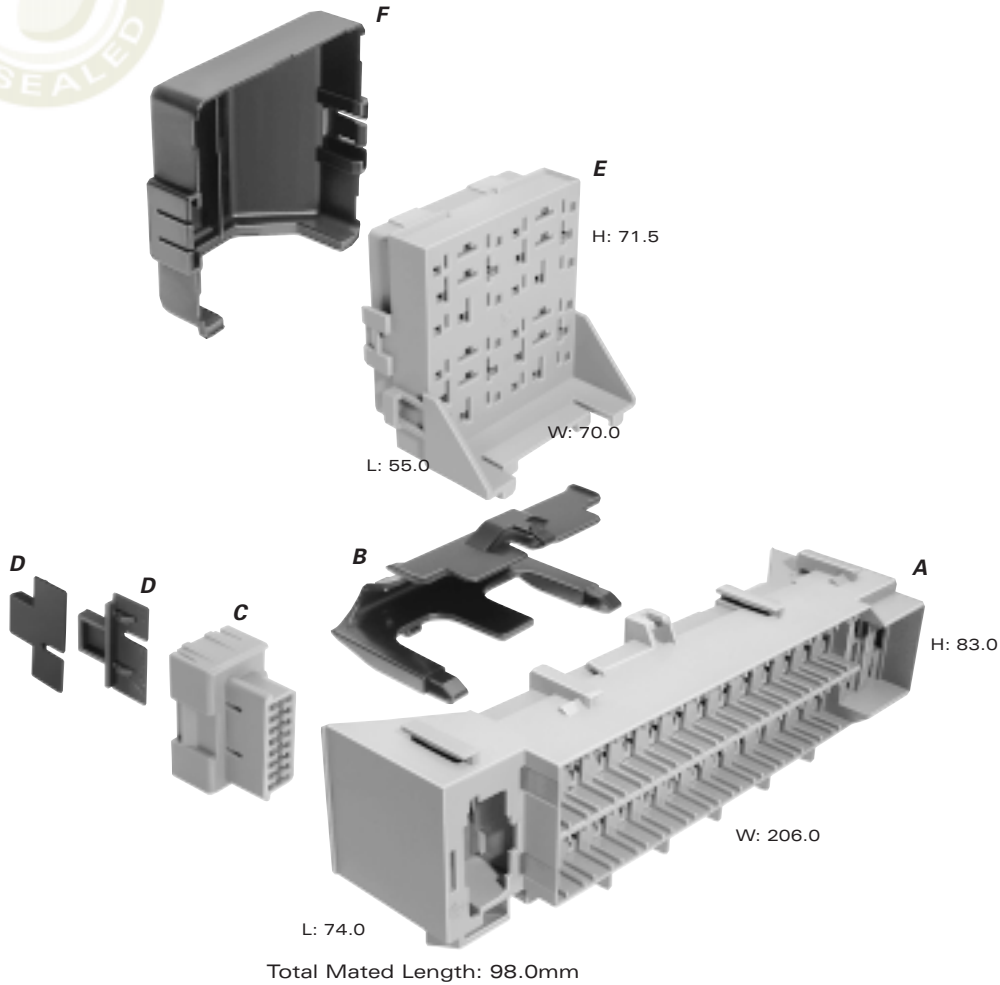


- | | |
|------------------|--------------|
| ▣ 150 Metri-Pack | ☆ 4.8 Faston |
| ■ 280 Metri-Pack | ★ 6.3 Faston |
| ▲ 630 Metri-Pack | ★ 9.5 Faston |

Traditional Electrical Centers feature a combination of different terminal cavities, as indicated by the Key.



<http://delphi.com/products/connect>



A PART NO: 10718620
 DESCRIPTION: Fuse Module
 SIZE: 74.0L x 83.0H x 206.0W
 COLOR: Gray
 MATERIAL: PA6 10% GF 20% GB
 TERMINALS: See Page 260
 APPLICATIONS: 26 ATO® Fuses, 2 MAXI™ Fuses

B PART NO: 10720018
 DESCRIPTION: Cover
 COLOR: Black
 MATERIAL: ABS

C PART NO: 15327645
 DESCRIPTION: OBD II Connector 16F
 COLOR: Gray
 MATERIAL: PA6

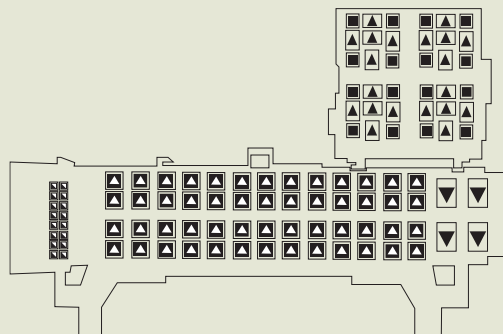
D PART NO: 15327646
 DESCRIPTION: TPA
 NUMBER REQ: 2
 COLOR: Black
 MATERIAL: PA6 15% GF

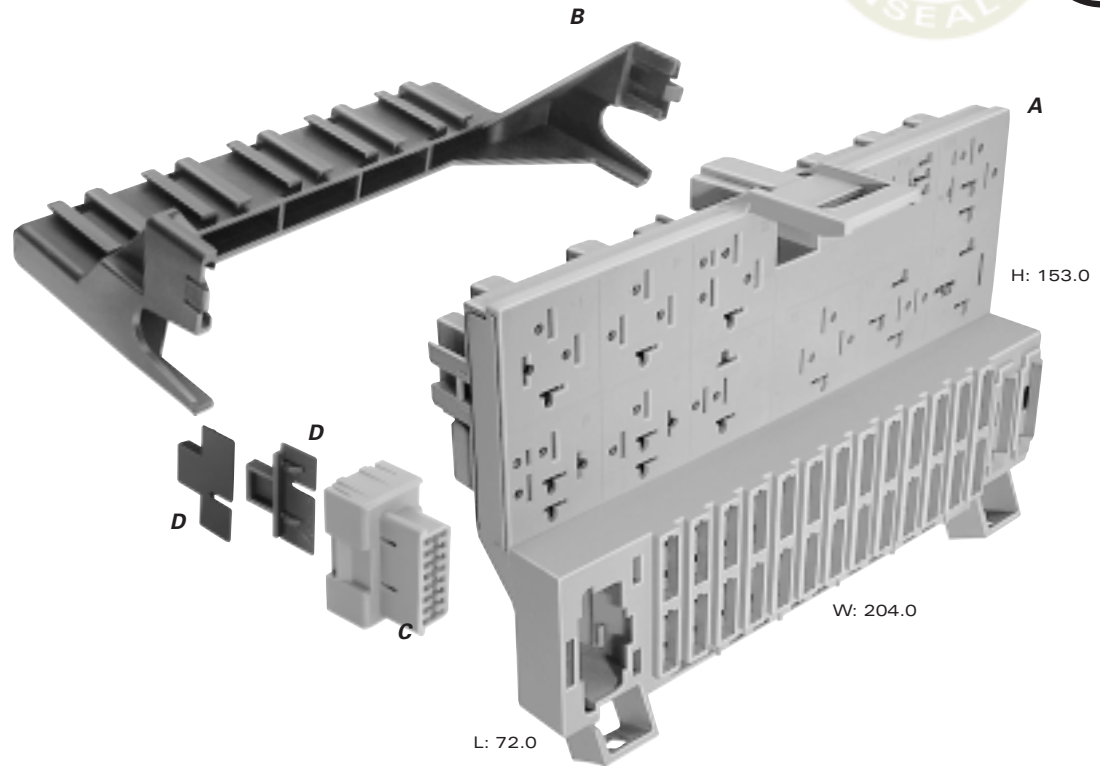
E PART NO: 10718621
 DESCRIPTION: Relay Module
 SIZE: 55.0L x 71.5H x 70.0W
 COLOR: Gray
 MATERIAL: PA6 10% GF 20% GB
 APPLICATION: 4 Standard Relays

F PART NO: 10720017
 DESCRIPTION: Cover
 COLOR: Black
 MATERIAL: ABS

- KEY:**
- ◻ 150 Metri-Pack
 - ◼ 280 Metri-Pack
 - ▲ 630 Metri-Pack
 - ▼ 800 Metri-Pack
 - ◻ 6.3 VF

Traditional Electrical Centers feature a combination of different terminal cavities, as indicated by the Key.





Total Mated Length: 148.0mm

A PART NO: 15344665
 DESCRIPTION: Electrical Center
 SIZE: 72.0L x 153.0H x 204.0W
 COLOR: Gray
 MATERIAL: PA6 20% GF 10% GB
 TERMINALS: See Page 260
 APPLICATIONS: 26 ATO® Fuses, 2 MAXI™ fuses,
 2 Mini Relays, 9 Standard Relays, 1 Relay

B PART NO: 10719976 (Optional)
 DESCRIPTION: Holder
 COLOR: Black
 MATERIAL: PA6 30% GF
 APPLICATIONS: 5 Position Carrier Relay

C PART NO: 15327645
 DESCRIPTION: OBD II Connector 16F
 COLOR: Gray
 MATERIAL: PA6

D PART NO: 15327646
 DESCRIPTION: TPA
 NUMBER REQ: 2
 COLOR: Black
 MATERIAL: PA6 15% GF

SECTION NOTES:

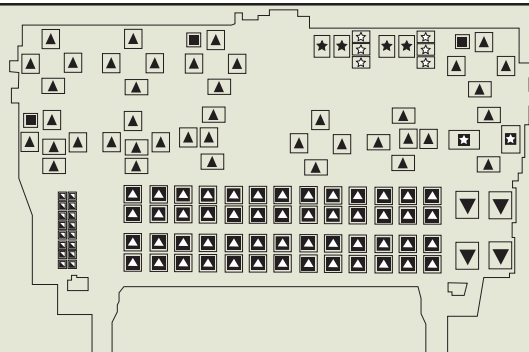
- Contact your regional support representative at the number listed below.
- Terminals available from manufacturer.

KEY:

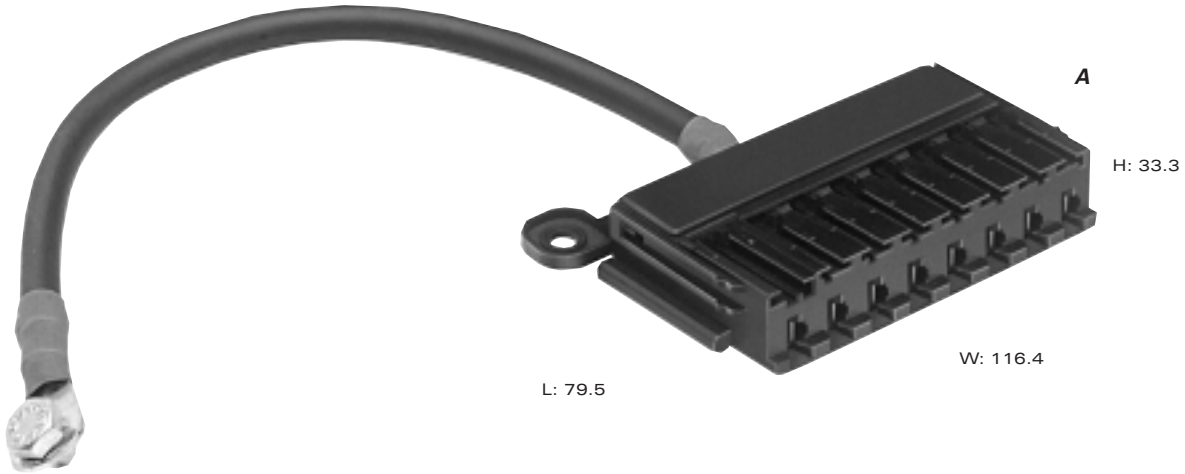
TANGLESS

- | | |
|------------------|--------------|
| ▣ 150 Metri-Pack | ▲ 6.3 VF |
| ■ 280 Metri-Pack | ☆ 4.8 Faston |
| ▲ 630 Metri-Pack | ★ 6.3 Faston |
| ▼ 800 Metri-Pack | ✱ 9.5 Faston |

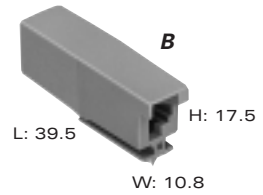
Traditional Electrical Centers feature a combination of different terminal cavities, as indicated by the Key.



<http://delphi.com/products/connect>



Total Mated Length: 104.0mm



A PART NO: **15327622**
 DESCRIPTION: Module Assembly 8F
 SIZE: 79.5L x 33.3H x 116.4W
 COLOR: Black
 MATERIAL: PA66 HS IM

B PART NO: **15327626**
 DESCRIPTION: Connector 1F
 SIZE: 39.5L x 17.5H x 10.8W
 COLOR: Gray
 MATERIAL: PA66 HS IM
 TERMINALS: See page 262
 APPLICATION: 1 MAXI™ Fuse

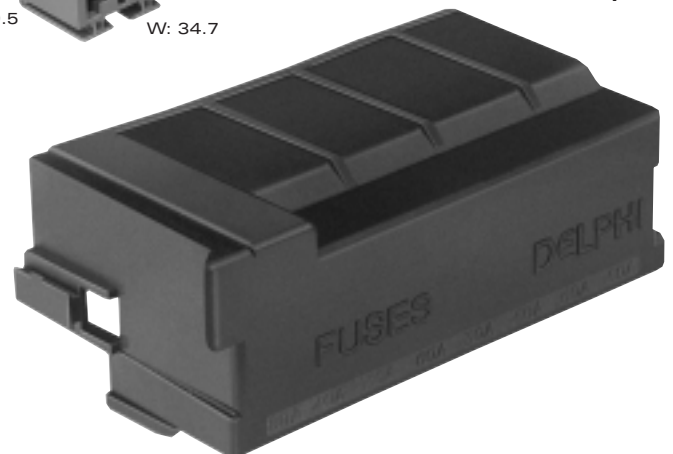
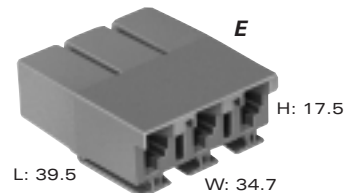
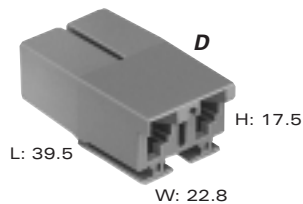
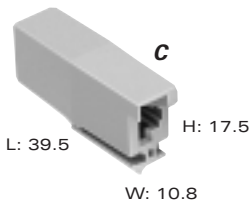


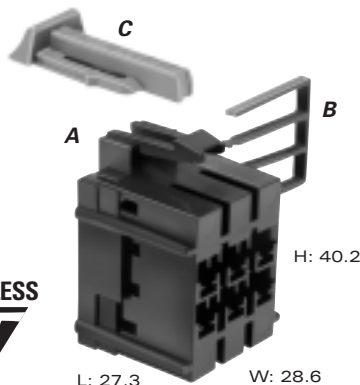
C PART NO: 15327625
DESCRIPTION: Connector 1F
SIZE: 39.5L x 17.5H x 10.8W
COLOR: Yellow
MATERIAL: PA66 HS IM
TERMINALS: See page 262
APPLICATION: 1 MAXI™ Fuse

E PART NO: 15327628
DESCRIPTION: Connector 3F
SIZE: 39.5L x 17.5H x 34.7W
COLOR: Blue
MATERIAL: PA66 HS IM
TERMINALS: See page 262
APPLICATION: 3 MAXI™ Fuses

D PART NO: 15327627
DESCRIPTION: Connector 2F
SIZE: 39.5L x 17.5H x 22.8W
COLOR: Blue
MATERIAL: PA66 HS IM
TERMINALS: See page 262
APPLICATION: 2 MAXI™ Fuses

F PART NO: 15327694
DESCRIPTION: Cover
COLOR: Black
MATERIAL: PA66 HS 15% GF

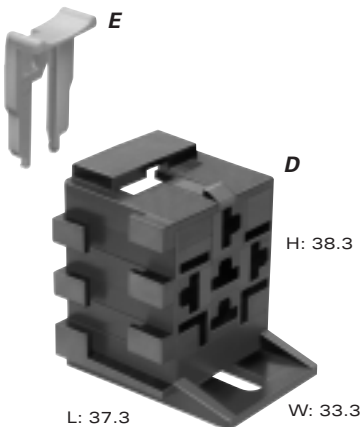




**A PART NO: 12110541 (Black)
12129715 (Md. Gray)**
DESCRIPTION: 280 Metri-Pack Connector 6F
SIZE: 27.3L x 40.2H x 28.6W
MATERIAL: PA66 HS IM
TERMINALS: See Page 261, 280 Metri-Pack Tangless Relay
APPLICATION: Relay

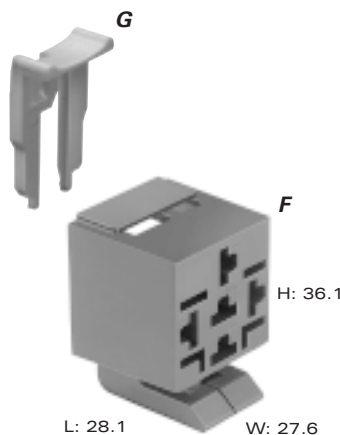
B PART NO: 12110542
DESCRIPTION: Secondary Lock
COLOR: Md. Gray
MATERIAL: PA66 HS IM

C PART NO: 12052834
DESCRIPTION: CPA
COLOR: Green
MATERIAL: PP



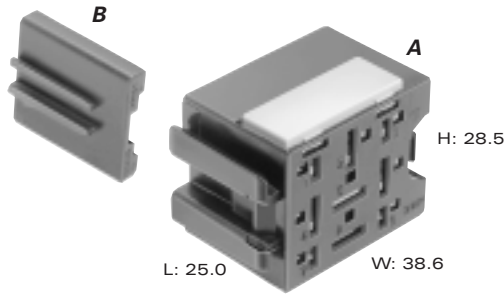
D PART NO: 12033871
DESCRIPTION: 630 Metri-Pack Connector 5F
SIZE: 37.3L x 38.3H x 33.3W
COLOR: Black
MATERIAL: PA6
TERMINALS: See Page 261, 630 Metri-Pack Relay Series
APPLICATION: Relay (ISO)
NOTE: Interlocking multiple connectors form a Relay module.

E PART NO: 12033872
DESCRIPTION: TPA
COLOR: Natural
MATERIAL: PA6



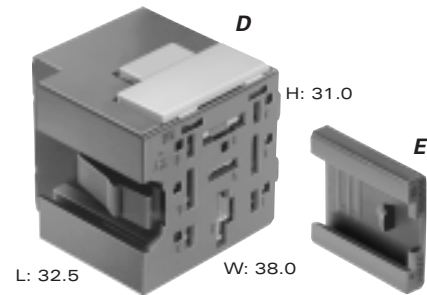
F PART NO: 12034003
DESCRIPTION: 630 Metri-Pack Connector 5F
SIZE: 28.1L x 36.1H x 27.6W
COLOR: Black
MATERIAL: PA6
TERMINALS: See Page 261, 630 Metri-Pack Relay Series
APPLICATION: Relay (ISO)

G PART NO: 12033872
DESCRIPTION: TPA
COLOR: Natural
MATERIAL: PA6



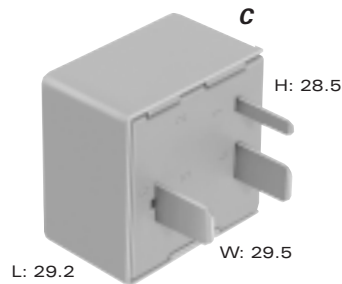
A PART NO: 12131317
 DESCRIPTION: 280/630 Metri-Pack Mixed Connector 9F
 SIZE: 25.0L x 28.5H x 38.6W
 COLOR: Black
 MATERIAL: PA6 15% GF
 TERMINALS: See Page 261, 630 Metri-Pack, 280 MP Relay Series
 APPLICATION: Standard Relay Socket

B PART NO: 10719968 (Optional)
 DESCRIPTION: Clip Adapter
 COLOR: Black
 MATERIAL: PA6

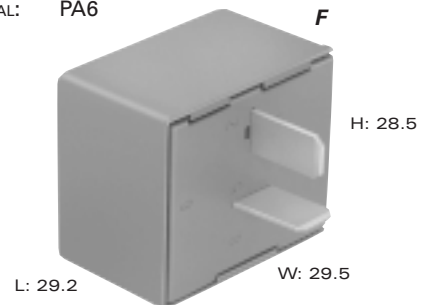


D PART NO: 12162998
 DESCRIPTION: 280/630 M/P 9.5 Faston Connector Assembly 9F
 SIZE: 32.5L x 31.0H x 38.0W
 COLOR: Black
 MATERIAL: PA6 15% GF
 TERMINALS: See Page 261, 630 Metri-Pack, 280 MP Relay Series
 APPLICATION: Power Relay Socket

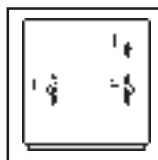
E PART NO: 10719968 (Optional)
 DESCRIPTION: Clip Adapter
 COLOR: Black
 MATERIAL: PA6



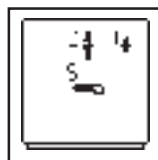
**C PART NO: 10740407 (Gray)
 10719332 (Blue)
 10740408 (Brown)
 10740410 (Black)**
 DESCRIPTION: Standard Bridging Relay
 SIZE: 29.2L x 28.5H x 29.5W
 BLADE SIZE: 2.8, 6.3mm
 MATERIAL: PA6 15% GF



F PART NO: 10740409 (Green)
 DESCRIPTION: Power Bridging Relay
 SIZE: 29.2L x 28.5H x 29.5W
 BLADE SIZE: 9.5mm
 MATERIAL: PA6 15% GF



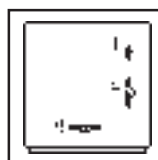
10740407



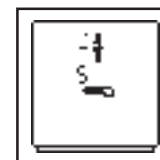
10719332



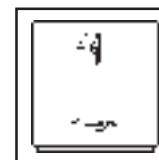
10740408



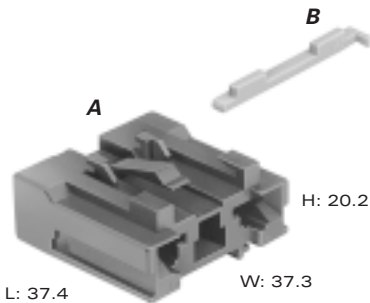
10740410



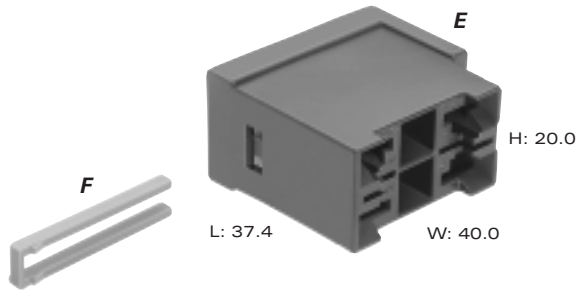
10720098



10740409



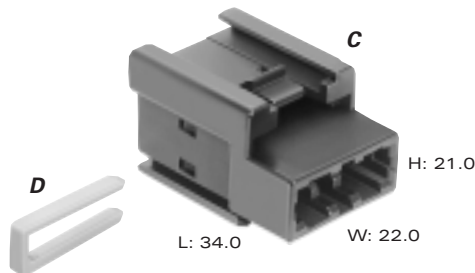
A PART NO: 12110057
 DESCRIPTION: 800 MAXI™ Fuse Connector 2F
 SIZE: 37.4L x 20.2H x 37.3W
 COLOR: Black
 MATERIAL: PA66
 TERMINALS: See Page 262, 800 MaxiFuse
 APPLICATION: 1 MAXI™ Fuse
 NOTE: Interlocking multiple connectors form a MaxiFuse module.



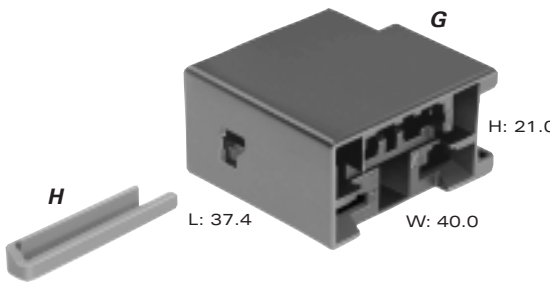
E PART NO: 15339818
 DESCRIPTION: 800 MAXI™ Fuse Connector 4F
 SIZE: 37.4L x 22.0H x 40.0W
 COLOR: Black
 MATERIAL: PA66
 TERMINALS: See Page 262, 800 MaxiFuse
 APPLICATION: 2 MAXI™ Fuses

B PART NO: 12110058
 DESCRIPTION: Secondary Lock
 COLOR: Yellow
 MATERIAL: PA66

F PART NO: 15337249
 DESCRIPTION: Secondary Lock
 COLOR: Gray
 MATERIAL: PA6 30% GF



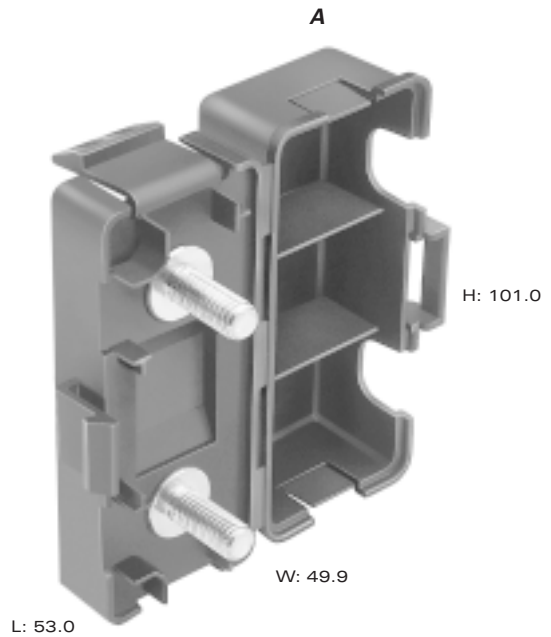
C PART NO: 12147079
 DESCRIPTION: ATO® Fuse Connector 2F
 SIZE: 34.0L x 21.0H x 22.0W
 COLOR: Black
 MATERIAL: PA6
 TERMINALS: See Page 263, 800 MaxiFuse,
 APPLICATION: 1 ATO® Fuse



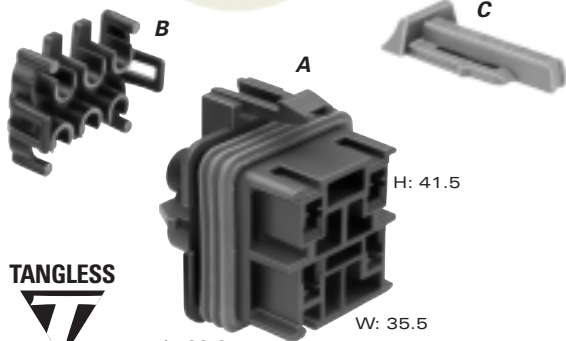
G PART NO: 12158100
 DESCRIPTION: MAXI™/ATO Fuse Connector 4F
 SIZE: 37.4L x 21.0H x 40.0W
 COLOR: Black
 MATERIAL: PA66
 TERMINALS: See Page 263, 800 MaxiFuse,
 APPLICATION: 1 MAXI™ Fuse, 1 ATO Fuse

D PART NO: 12131359
 DESCRIPTION: Secondary Lock
 COLOR: Yellow
 MATERIAL: PA66 25% GF

H PART NO: 12158101
 DESCRIPTION: Secondary Lock
 COLOR: Gray
 MATERIAL: PA6 30% GF



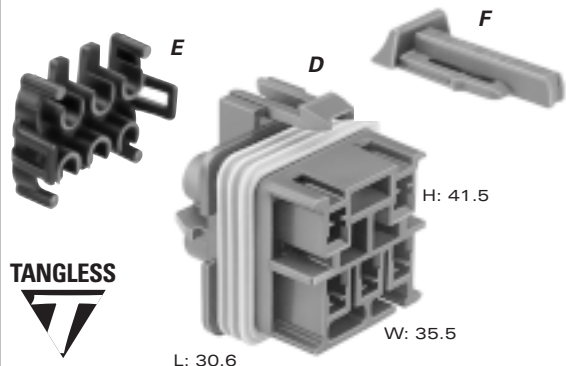
- A PART NO: 15305003**
DESCRIPTION: Connector (MEGA® Fuse)
SIZE: 53.0L x 101.0H x 49.9W
COLOR: Black
MATERIAL: PP IM
TERMINALS: See Page 262, M8 Ring
APPLICATION: 1 MEGA® Fuse (100 - 200 AMPS)
NOTE: Bolt thread size M8 X 1.25.



A PART NO: 12129716
 DESCRIPTION: 280 Metri-Pack Connector Assembly 4F
 SIZE: 30.6L x 41.5H x 35.5W
 COLOR: Md. Gray
 MATERIAL: PA66 HS IM
 TERMINALS: See Page 263, 280 Metri-Pack
 Tangleless Sealed
 SEALS/PLUGS: See page 263
 APPLICATION: Relay

B PART NO: 12110540
 DESCRIPTION: TPA
 COLOR: Dk. Green
 MATERIAL: PA6

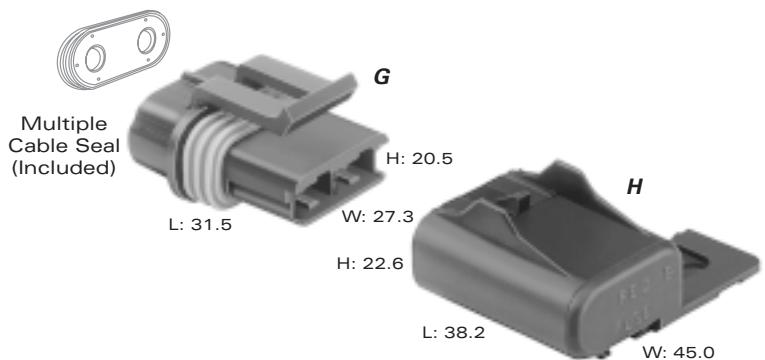
C PART NO: 12052834
 DESCRIPTION: CPA
 COLOR: Green
 MATERIAL: PP



D PART NO: 12110539
 DESCRIPTION: 280 Metri-Pack Connector Assembly 5F
 SIZE: 30.6L x 41.5H x 35.5W
 COLOR: Black
 MATERIAL: PA66 HS IM
 TERMINALS: See Page 263, 280 Metri-Pack
 Tangleless Sealed
 SEALS/PLUGS: See page 263
 APPLICATION: Relay

E PART NO: 12110540
 DESCRIPTION: TPA
 COLOR: Dk. Green
 MATERIAL: PA6

F PART NO: 12052834
 DESCRIPTION: CPA
 COLOR: Green
 MATERIAL: PP

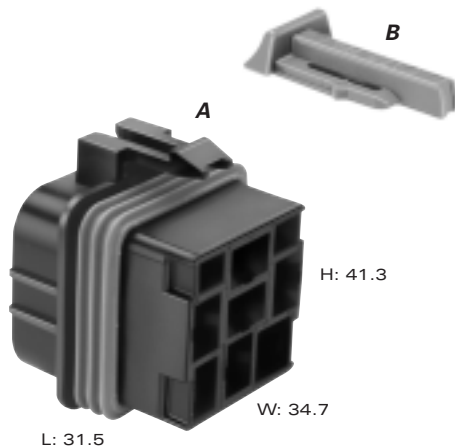


G PART NO: 12085030 (Black/Lt. Orange Seal) 4.48-3.72 CABLE O.D.
12033769 (Black/Green Seal) 3.65-2.89 CABLE O.D.
12103172 (Gray/Green Seal) 3.65-2.89 CABLE O.D.
12066681 (Black/Lt. Gray Seal) 2.64-1.90 CABLE O.D.

DESCRIPTION: 630 Pull-To-Seat Connector Assembly 2F
 SIZE: 31.5L x 20.5H x 27.3W
 MATERIAL: PA66 HS IM
 TERMINALS: See Page 263, 630 Metri-Pack Pull-To-Seat
 APPLICATION: 1 ATO® Fuse

H PART NO: 12033731 (Black)
12146104 (Red)
12059426 (Black—Dual)

DESCRIPTION: Cover
 SIZE: 38.2L x 22.6H x 45.0W
 SIZE (DUAL): 38.2L x 23.5H x 56.3W
 MATERIAL: PA66 HS IM

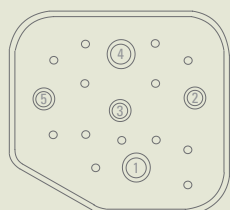


A PART NO: 12092605
12065686
12065685

DESCRIPTION: 630 Pull-to-Seat Connector Assembly
SIZE: 31.5L x 41.3H x 34.7W
COLOR: Black
MATERIAL: PA6
TERMINALS: See Page 263, 630 Metri-Pack Pull-to-Seat
PLUGS: See Page 263
APPLICATION: Relay (ISO)

B PART NO: 12052834

DESCRIPTION: CPA
COLOR: Green
MATERIAL: PP



Multiple Cavity Cable Seal (Included)

Cable O.D. (mm)

Conn. Asm. Part Number	Cable Seal Color	Cavity 1	Cavity 2	Cavity 3	Cavity 4	Cavity 5
12092605	Orange	1.60-2.12	1.60-2.12	1.60-2.12	Blocked	1.60-2.12
12065686	Lt. Gray	3.49-3.88	2.03-2.44	Blocked	3.49-3.88	2.03-2.44
12065685	Green	3.49-3.88	2.03-2.44	2.03-2.44	3.49-3.88	2.03-2.44

Sensor Series

Temperature Sensors

Flexible, Affordable and Fast to Market

Delphi Connection Systems' growing line of temperature sensors is a perfect integration of product and process technologies. Our crimpless conductive path design enables automatic processing for efficient, cost-effective sensor manufacturing.



Capable of matching any calibration criteria, these reliable and durable sensors can be packaged into customer systems worldwide. These products can be promptly brought to market, utilizing Delphi Packard Electric's global network of engineering and manufacturing locations.



Our sensor product line offers a variety of designs for various sensing applications. In addition, we are currently developing high-temperature sensor products, multifunction sensors, sensors for non-temperature applications, and sensors that integrate electronics into the packaging.



Temperature Sensor Features

- Rugged housing design
- Customized electrical and mechanical mounting
- Design flexibility
- Few components, cost effective

TEMPERATURE SENSORS

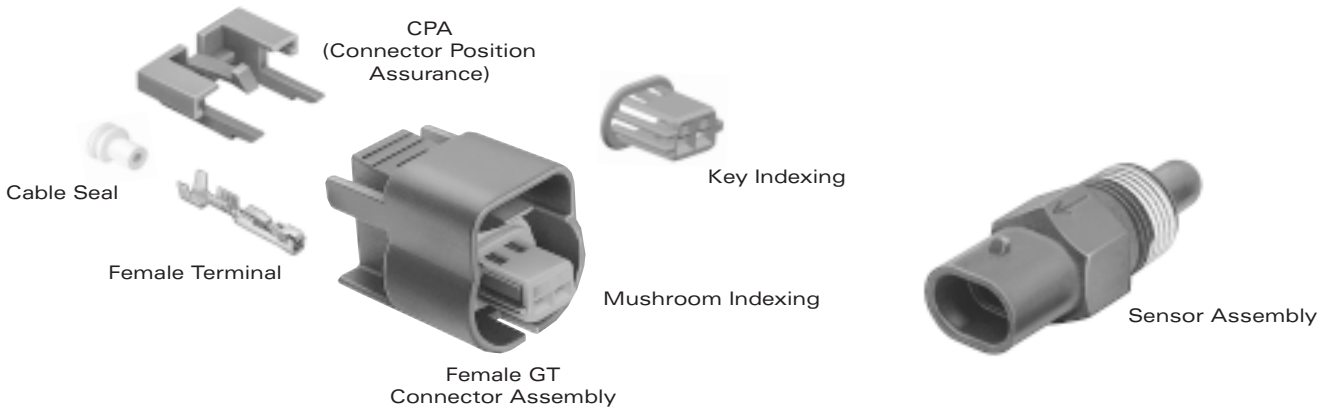


DESCRIPTION

Air temperature sensors are continuous function devices that change resistance inversely proportional to temperature. These sensors consist of two major components: the high temperature thermoplastic shell and a thermistor pre-mold sub-assembly. The plastic shell is custom designed to meet specific mounting and packaging requirements. Containing an NTC thermistor, the patented pre-mold assembly is inserted into the shell.

TYPICAL APPLICATION

The air sensors measure the engine intake air temperature in the manifold, in the intake air duct, and in the air cleaner. They provide a signal to the Powertrain Control Module (PCM).



150 GT CONNECTOR ASSEMBLIES SEALED

Cavities	Connector Part #	Cover/Indexing	Color	Material
2	15336004	Shrouded/Mushroom	Black	PA6 10% GF & 20% GB
2	15335987	Shrouded/Key	Black	PA6 10% GF & 20% GB
2	15336024	Unshrouded/Mushroom	Black	PA6 10% GF & 20% GB

Mating options, 150.2 Metri-Pack Pull-to-Seat Connectors: 12162193, 12162194, 12162195, 12162197, 12162198, 12162199.

AIR TEMPERATURE SENSORS

Cavity Indexing	Air Temperature Sensor	Color	Material
Mushroom	12110446	Black	PEI 30% GF
Key	12146830	Gray	PEI 30% GF
Key	12129596	Black	PA66 HS 33% GF
Key	12160244	Black	PBT 30% GF
Key	12160245	Black	PBT 30% GF
Key	12160246	Black	PBT 30% GF

150 GT FEMALE TERMINALS SEALED

Part #	Cable Range (mm ²)	Material	Plating
15326266	0.50-0.35	Tin Brass	Tin
15305350	*1.00-0.75	Tin Brass	Tin

* Accommodates 1.00 European Ultra Thin Wall Cable.
Accommodates 0.80 SAE Ultra Thin Wall Cable.

GT CABLE SEALS

Reel Part #	Loose Part #	Cable Diameter	Material	Color
12191155	15366022	1.47-1.85	Silicone	Green
-	15305351	1.70-2.10	Silicone	Yellow



Chart A

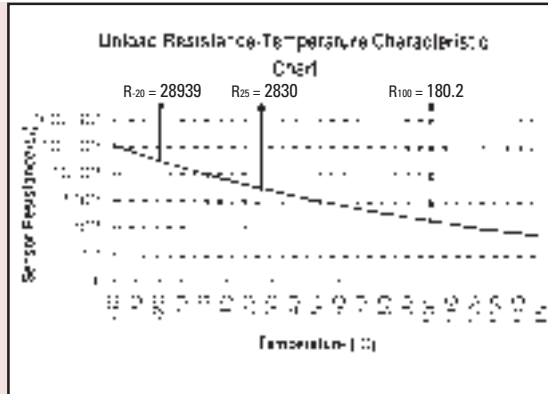
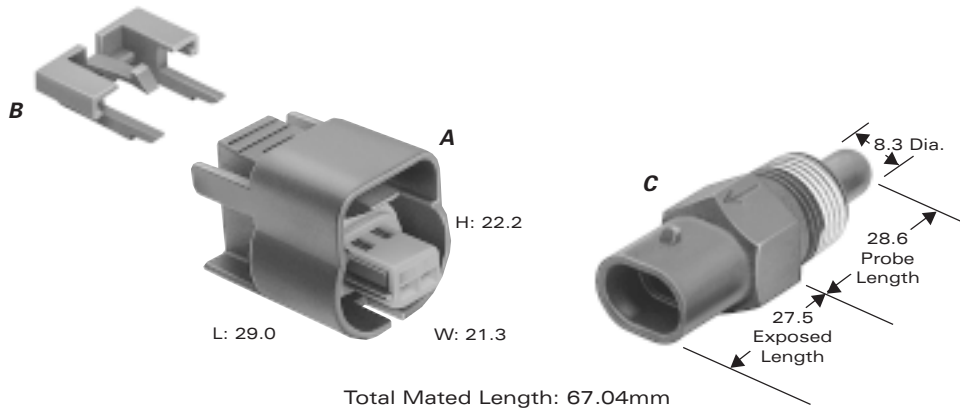
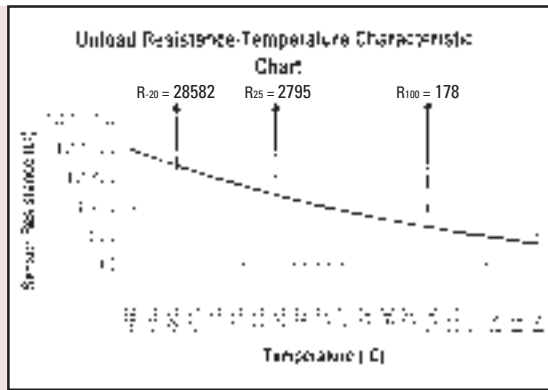


Chart B



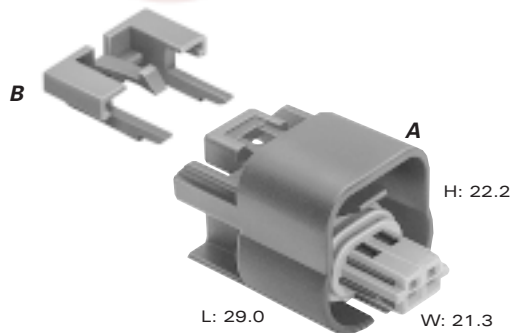
A PART NO: 15336004 (Shrouded)
15336024 (Unshrouded)
DESCRIPTION: 150 GT Connector Assembly 2F
SIZE: 29.0L x 22.2H x 21.3W
COLOR: Black
MATERIAL: PA6 10% GF & 20% GB
TERMINALS: See Page 292
SEALS: See Page 292
MATING OPT: 150.2 Metri-Pack Pull-To-Seat Connectors:
12162193, 12162194, 12162195

B PART NO: 15317832
DESCRIPTION: CPA
COLOR: Gray
MATERIAL: PA6 10% GF & 20% GB

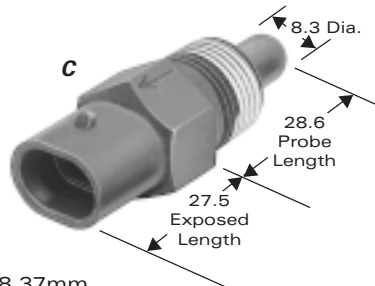
C PART NO: 12110446
DESCRIPTION: Sensor Assembly 2M
COLOR: Black
MATERIAL: PEI 30% GF
WEIGHT: 13.2g
MOUNTING THREAD SIZE: 3/8" - 18 NPTF

THERMAL & ELECTRICAL PROPERTIES

TYPICAL VOLTAGE SUPPLY: 5V dc
OPERATING TEMPERATURE: -40°C to 135°C
RESISTIVE RANGE (Ω): See Chart A
DISSIPATION CONSTANT: 18mW/°C
THERMAL TIME CONSTANT: 60 seconds
ACCURACY: See Chart A



Total Mated Length: 68.37mm



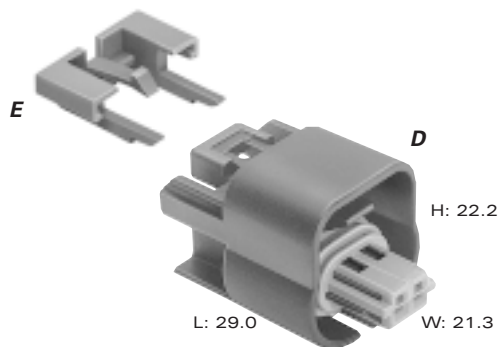
A PART NO: 15335987
 DESCRIPTION: 150 GT Connector Assembly 2F
 SIZE: 29.0L x 22.2H x 21.3W
 COLOR: Black
 MATERIAL: PA6 10% GF & 20% GB
 TERMINALS: See Page 292
 SEALS: See Page 292
 MATING OPT: 150.2 Metri-Pack Pull-To-Seat Connectors
 12162197, 12162198, 12162199

C PART NO: 12146830
 DESCRIPTION: Sensor Assembly 2M
 COLOR: Gray
 MATERIAL: PEI 30% GF
 WEIGHT: 13.8g
 MOUNTING THREAD SIZE: 3/8" - 18 NPTF

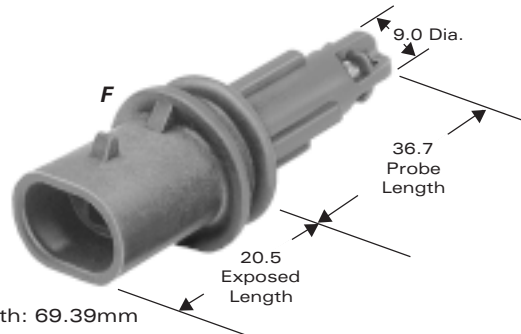
B PART NO: 15317832
 DESCRIPTION: CPA
 COLOR: Gray
 MATERIAL: PA6 10% GF & 20% GB

THERMAL & ELECTRICAL PROPERTIES

TYPICAL VOLTAGE SUPPLY: 5V dc
 OPERATING TEMPERATURE: -40°C to 135°C
 RESISTIVE RANGE (Ω): See Chart A
 DISSIPATION CONSTANT: 18mW/°C
 THERMAL TIME CONSTANT: 60 seconds
 ACCURACY: See Chart A



Total Mated Length: 69.39mm



D PART NO: 15335987
 DESCRIPTION: 150 GT Connector Assembly 2F
 SIZE: 29.0L x 22.2H x 21.3W
 COLOR: Black
 MATERIAL: PA6 10% GF & 20% GB
 TERMINALS: See Page 292
 SEALS: See Page 292
 MATING OPT: 150.2 Metri-Pack Pull-To-Seat Connectors
 12162197, 12162198, 12162199

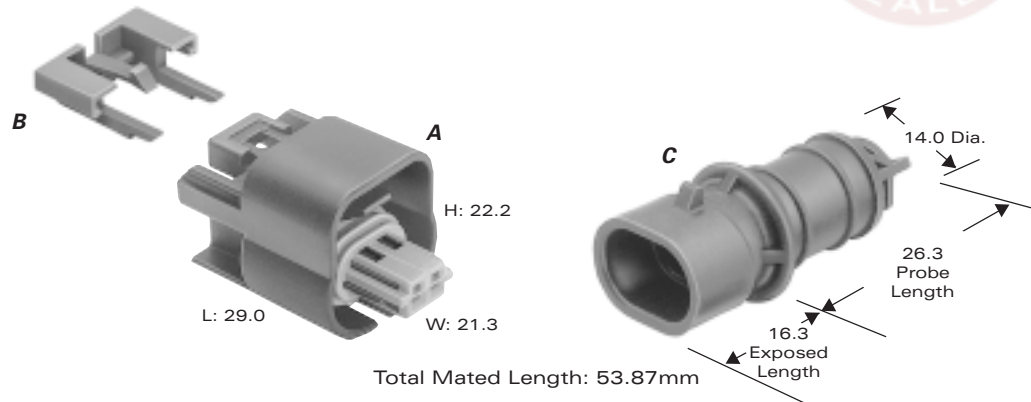
F PART NO: 12129596
 DESCRIPTION: Sensor Assembly 2M
 COLOR: Black
 MATERIAL: PA66 HS 33% GF
 WEIGHT: 8.2g
 MOUNTING: Push

E PART NO: 15317832
 DESCRIPTION: CPA
 COLOR: Gray
 MATERIAL: PA6 10% GF & 20% GB

THERMAL & ELECTRICAL PROPERTIES

TYPICAL VOLTAGE SUPPLY: 5V dc
 OPERATING TEMPERATURE: -40°C to 135°C
 RESISTIVE RANGE (Ω): See Chart A
 DISSIPATION CONSTANT: 12mW/°C
 THERMAL TIME CONSTANT: <15 seconds
 ACCURACY: See Chart A

<http://delphi.com/products/connect>

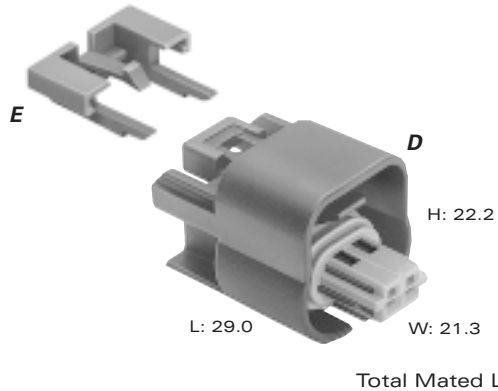


A PART NO: 15335987
 DESCRIPTION: 150 GT Connector Assembly 2F
 SIZE: 29.0L x 22.2H x 21.3W
 COLOR: Black
 MATERIAL: PA6 10% GF & 20% GB
 TERMINALS: See Page 292
 SEALS: See Page 292
 MATING OPT: 150.2 Metri-Pack Pull-To-Seat Connectors 12162197, 12162198, 12162199

C PART NO: 12160244
 DESCRIPTION: Sensor Assembly 2M
 COLOR: Black
 MATERIAL: PBT 30% GF
 WEIGHT: 5.5g
 MOUNTING: Push

B PART NO: 15317832
 DESCRIPTION: CPA
 COLOR: Gray
 MATERIAL: PA6 10% GF & 20% GB

THERMAL & ELECTRICAL PROPERTIES
 TYPICAL VOLTAGE SUPPLY: 5V dc
 OPERATING TEMPERATURE: -40°C to 135°C
 RESISTIVE RANGE (Ω): See Chart B
 DISSIPATION CONSTANT: 9mW/°C
 THERMAL TIME CONSTANT: <15 seconds
 ACCURACY: See Chart B

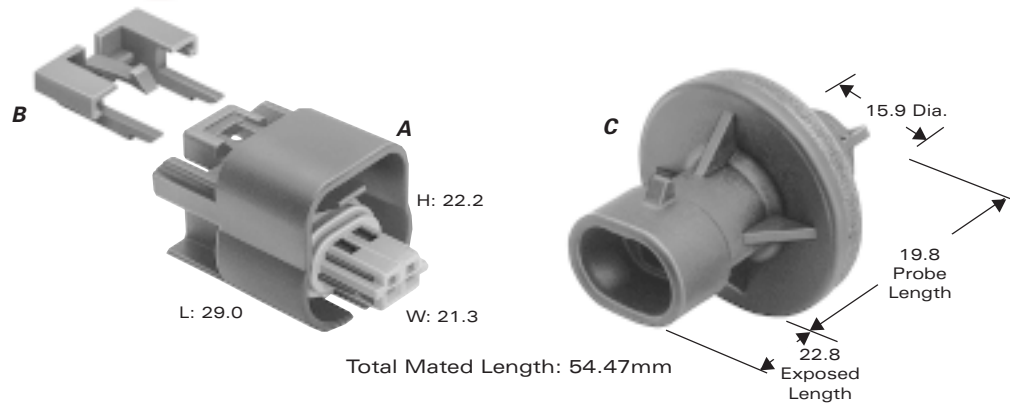


D PART NO: 15335987
 DESCRIPTION: 150 GT Connector Assembly 2F
 SIZE: 29.0L x 22.2H x 21.3W
 COLOR: Black
 MATERIAL: PA6 10% GF & 20% GB
 TERMINALS: See Page 292
 SEALS: See Page 292
 MATING OPT: 150.2 Metri-Pack Pull-To-Seat Connectors 12162197, 12162198, 12162199

F PART NO: 12160245
 DESCRIPTION: Sensor Assembly 2M
 COLOR: Black
 MATERIAL: PBT 30% GF
 WEIGHT: 8.9g
 MOUNTING: Clip

E PART NO: 15317832
 DESCRIPTION: CPA
 COLOR: Gray
 MATERIAL: PA6 10% GF & 20% GB

THERMAL & ELECTRICAL PROPERTIES
 TYPICAL VOLTAGE SUPPLY: 5V dc
 OPERATING TEMPERATURE: -40°C to 135°C
 RESISTIVE RANGE (Ω): See Chart B
 DISSIPATION CONSTANT: 9mW/°C
 THERMAL TIME CONSTANT: <15 seconds
 ACCURACY: See Chart B



A PART NO: 15335987
 DESCRIPTION: 150 GT Connector Assembly 2F
 SIZE: 29.0L x 22.2H x 21.3W
 COLOR: Black
 MATERIAL: PA6 10% GF & 20% GB
 TERMINALS: See Page 292
 SEALS: See Page 292
 MATING OPT: 150.2 Metri-Pack Pull-To-Seat Connectors
 12162197, 12162198, 12162199

C PART NO: 12160246
 DESCRIPTION: Sensor Assembly 2M
 COLOR: Black
 MATERIAL: PBT 30% GF
 WEIGHT: 9.3g
 MOUNTING: Twist Lock

B PART NO: 15317832
 DESCRIPTION: CPA
 COLOR: Gray
 MATERIAL: PA6 10% GF & 20% GB

THERMAL & ELECTRICAL PROPERTIES

TYPICAL VOLTAGE SUPPLY: 5V dc
 OPERATING TEMPERATURE: -40°C to 135°C
 RESISTIVE RANGE (Ω): See Chart B
 DISSIPATION CONSTANT: 9mW/°C
 THERMAL TIME CONSTANT: <15 seconds
 ACCURACY: See Chart B

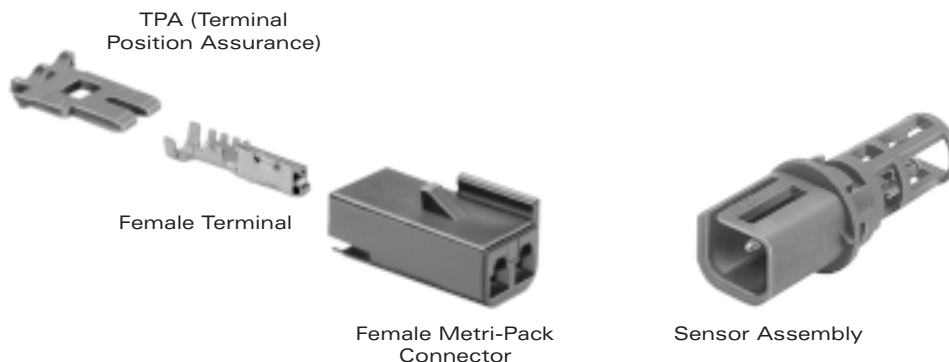


DESCRIPTION

The Heating Ventilation Air Conditioning temperature sensor is a continuous function device that changes resistance inversely proportional to temperature. The discharge air sensor consists of an NTC thermistor with a crimpless conductive path protected by a plastic body.

TYPICAL APPLICATION

The discharge air sensor measures the inside air temperature and provides a signal to the automatic climate control unit.



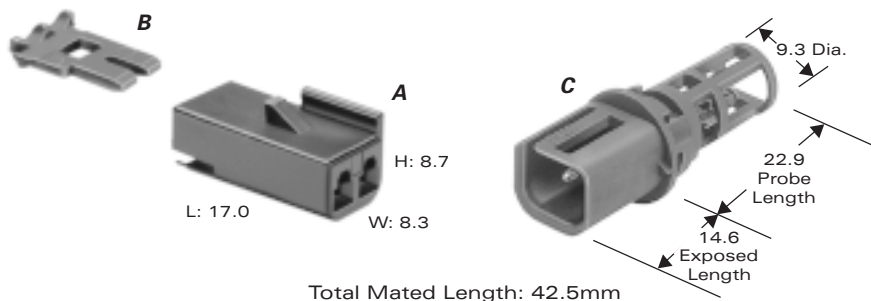
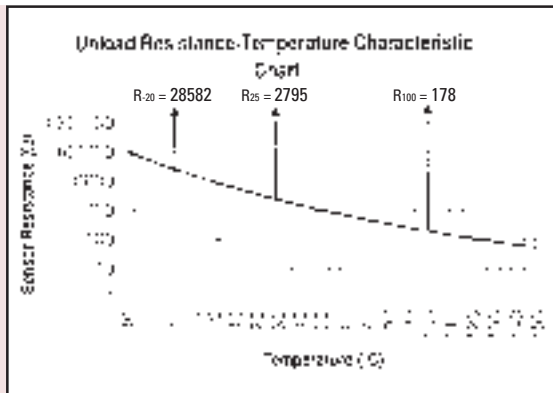
150 METRI-PACK FEMALE CONNECTOR UNSEALED				
Cavities	Part #	Color	Material	TPA
2	12047662	Black	PA66 HS IM	12047664

HVAC TEMPERATURE SENSOR		
HVAC Temperature Sensor	Color	Material
12160947	Black	PA66 HS IM

150 METRI-PACK FEMALE TERMINALS UNSEALED			
Part #	Cable Range (mm ²)	Material	Plating
12047767	1.0-0.80	Silicon Bronze	Tin
12064971	0.50-0.35	Silicon Bronze	Tin



Chart B



A PART NO: **12047662 (Black)**
12059249 (Natural)
 DESCRIPTION: 150 Metri-Pack Connector 2F
 SIZE: 17.0L x 8.7H x 8.3W
 MATERIAL: PA66 HS IM
 TERMINALS: See Page 297

C PART NO: **12160947**
 DESCRIPTION: Sensor Assembly 2M
 COLOR: Black
 MATERIAL: PA66 HS IM
 WEIGHT: 2.2g
 MOUNTING: Twist Lock

B PART NO: **12047664**
 DESCRIPTION: TPA
 COLOR: Md. Gray
 MATERIAL: PA66 HS IM

THERMAL & ELECTRICAL PROPERTIES

TYPICAL VOLTAGE SUPPLY: 5V dc
 OPERATING TEMPERATURE: -40°C to 125°C
 RESISTIVE RANGE (Ω): See Chart B
 DISSIPATION CONSTANT: 9mW/°C
 THERMAL TIME CONSTANT: 8 seconds
 ACCURACY: See Chart B

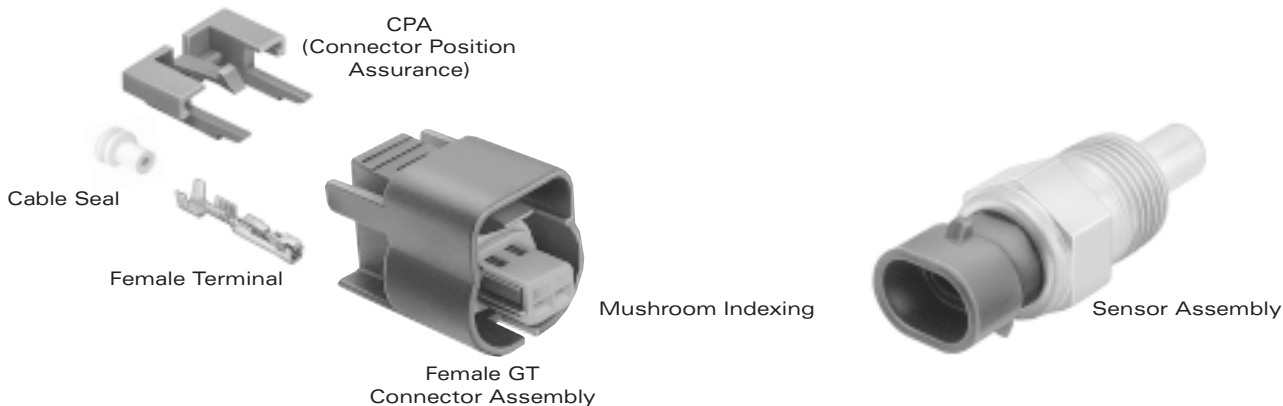


DESCRIPTION

Coolant/Fluid temperature sensors are continuous function devices that change resistance inversely proportional to temperature. These brass sensors consist of five major components: the brass shell, thermal grease, insulating sleeve, gasket, and insert molded connector. The shell utilizes customized thread and hex sizes per application requirements and the connector contains an NTC thermistor with a crimpless conductive path.

TYPICAL APPLICATION

The brass sensors measure the temperature of the engine oil, the fuel or the engine coolant and provide a signal to the Powertrain Control Module (PCM).



150 GT CONNECTOR ASSEMBLIES SEALED

Cavities	Connector Part #	Cover/Indexing	Color	Material
2	15336004	Shrouded/Mushroom	Black	PA6 10% GF & 20% GB
2	15336024	Unshrouded/Mushroom	Black	PA6 10% GF & 20% GB

Mating options, 150.2 Metri-Pack Pull-to-Seat Connectors: 12162193, 12162194, 12162195

COOLANT/FLUID SENSORS

Cavity Indexing	Coolant Fluid Sensors	Color	Material	
			Housing	Connector
Mushroom	12146312	Black	Brass	PBT 30% GF
Mushroom	12146911	Black	Brass	PBT 30% GF
Mushroom	12146897	Black	Brass	PBT 30% GF

150 GT FEMALE TERMINALS SEALED

Part #	Cable Range (mm ²)	Material	Plating
15326266	0.50-0.35	Tin Brass	Tin
15305350	*1.00-0.75	Tin Brass	Tin

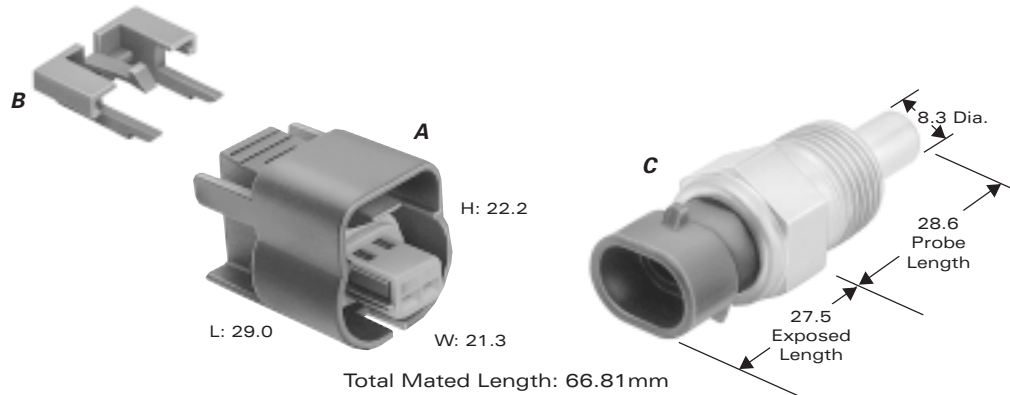
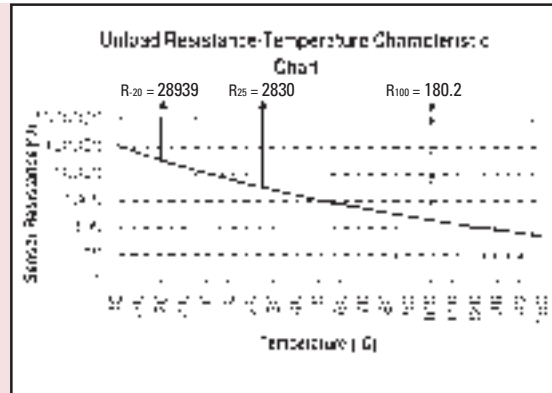
* Accommodates 1.00 European Ultra Thin Wall Cable.
Accommodates 0.80 SAE Ultra Thin Wall Cable.

GT CABLE SEALS

Reel Part #	Loose Part #	Cable Diameter	Material	Color
12191155	15366022	1.47-1.85	Silicone	Green
-	15305351	1.70-2.10	Silicone	Yellow



Chart A



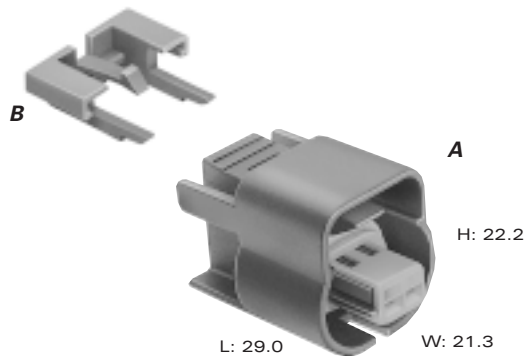
**A PART NO: 15336004 (Shrouded)
15336024 (Unshrouded)**
DESCRIPTION: 150 GT Connector Assembly 2F
SIZE: 29.0L x 22.2H x 21.3W
COLOR: Black
MATERIAL: PA6 10% GF & 20% GB
TERMINALS: See Page 299
SEALS: See Page 299
MATING OPT: 150.2 Metri-Pack Pull-To-Seat Connectors
12162193, 12162194, 12162195

B PART NO: 15317832
DESCRIPTION: CPA
COLOR: Gray
MATERIAL: PA6 10% GF & 20% GB

C PART NO: 12146312
DESCRIPTION: Sensor Assembly 2M
COLOR: Black
MATERIAL: Brass Housing; PBT 30% GF Connector
WEIGHT: 39.5g
MOUNTING THREAD SIZE: 3/8" - 18 NPTF

THERMAL & ELECTRICAL PROPERTIES

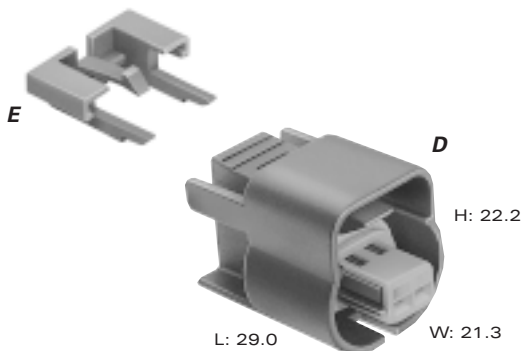
TYPICAL VOLTAGE SUPPLY: 5V dc
OPERATING TEMPERATURE: -40°C to 135°C
RESISTIVE RANGE (Ω): See Chart A
DISSIPATION CONSTANT: 25mW/°C
THERMAL TIME CONSTANT: 20 to 30 seconds
ACCURACY: See Chart A



Total Mated Length: 67.87mm

A PART NO: 15336004 (Shrouded)
15336024 (Unshrouded)
DESCRIPTION: 150 GT Connector Assembly 2F
SIZE: 29.0L x 22.2H x 21.3W
COLOR: Black
MATERIAL: PA6 10% GF & 20% GB
TERMINALS: See Page 299
SEALS: See Page 299
MATING OPT: 150.2 Metri-Pack Pull-To-Seat Connectors
12162193, 12162194, 12162195

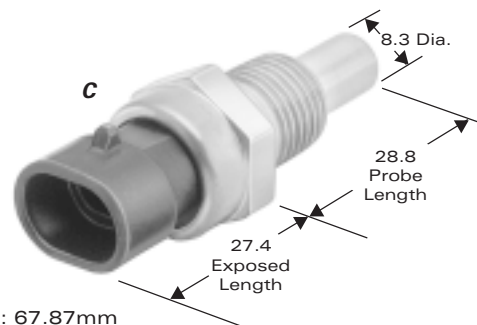
B PART NO: 15317832
DESCRIPTION: CPA
COLOR: Gray
MATERIAL: PA6 10% GF & 20% GB



Total Mated Length: 67.21mm

D PART NO: 15336004 (Shrouded)
15336024 (Unshrouded)
DESCRIPTION: 150 GT Connector Assembly 2F
SIZE: 29.0L x 22.2H x 21.3W
COLOR: Black
MATERIAL: PA6 10% GF & 20% GB
TERMINALS: See Page 299
SEALS: See Page 299
MATING OPT: 150.2 Metri-Pack Pull-To-Seat Connectors
12162193, 12162194, 12162195

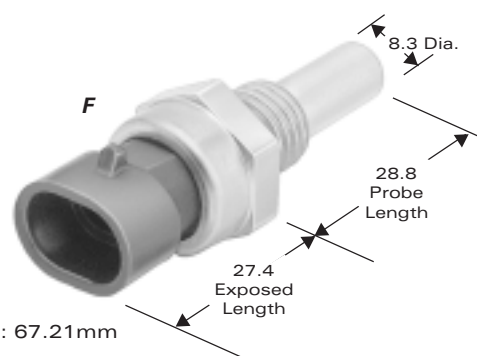
E PART NO: 15317832
DESCRIPTION: CPA
COLOR: Gray
MATERIAL: PA6 10% GF & 20% GB



C PART NO: 12146911
DESCRIPTION: Sensor Assembly 2M
COLOR: Black
MATERIAL: Brass Housing; PBT 30% GF Connector
WEIGHT: 29.4g
MOUNTING THREAD SIZE: 1/4" - 18 NPTF

THERMAL & ELECTRICAL PROPERTIES

TYPICAL VOLTAGE SUPPLY:	5V dc
OPERATING TEMPERATURE:	-40°C to 135°C
RESISTIVE RANGE (Ω):	See Chart A
DISSIPATION CONSTANT:	25mW/°C
THERMAL TIME CONSTANT:	20 to 30 seconds
ACCURACY:	See Chart A



F PART NO: 12146897
DESCRIPTION: Sensor Assembly 2M
COLOR: Black
MATERIAL: Brass Housing; PBT 30% GF Connector
WEIGHT: 23.2g
MOUNTING THREAD SIZE: M12 X 1.5

THERMAL & ELECTRICAL PROPERTIES

TYPICAL VOLTAGE SUPPLY:	5V dc
OPERATING TEMPERATURE:	-40°C to 135°C
RESISTIVE RANGE (Ω):	See Chart A
DISSIPATION CONSTANT:	25mW/°C
THERMAL TIME CONSTANT:	20 to 30 seconds
ACCURACY:	See Chart A

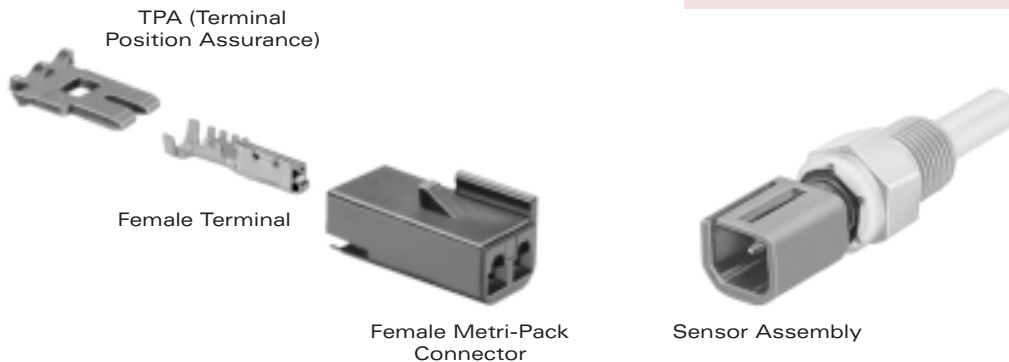


DESCRIPTION

Transmission temperature sensors are continuous function devices that change resistance inversely proportional to temperature. The two primary types of sensors that monitor the automatic transmission fluid are: the metal stator temperature sensor and the plastic sump temperature sensor. The stator sensor consists of a brass or stainless steel shell, thermal grease, insulating sleeve, gasket, and insert-molded connector containing an NTC thermistor. The sump sensor consists of a high temperature plastic shell and a patented pre-mold sub-assembly that contains an NTC thermistor with a crimpless conductive path.

TYPICAL APPLICATION

These sensors measure the fluid temperature in two transmission environments: in-line near the stator and the sump tank. A signal is provided to the Powertrain Control Module (PCM).



150 METRI-PACK FEMALE CONNECTOR UNSEALED

Cavities	Part #	Color	Material	TPA
2	12047662	Black	PA66 HS IM	12047664



150 METRI-PACK FEMALE TERMINALS UNSEALED

Part #	Cable Range (mm ²)	Material	Plating
12047767	1.0-0.80	Silicon Bronze	Tin
12064971	0.50-0.35	Silicon Bronze	Tin

TRANSMISSION TEMPERATURE SENSORS

Transmission Temp. Sensors	Color	Material	
		Housing	Connector
12160855	Black	Brass	PA66 HS IM
12129691	Md. Gray	PA66 HS IM	-



Chart B

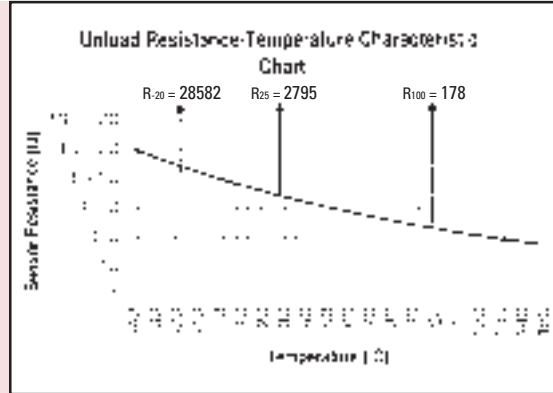
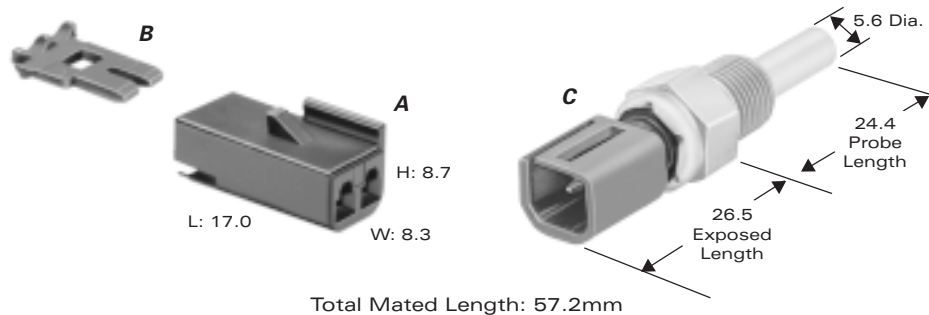
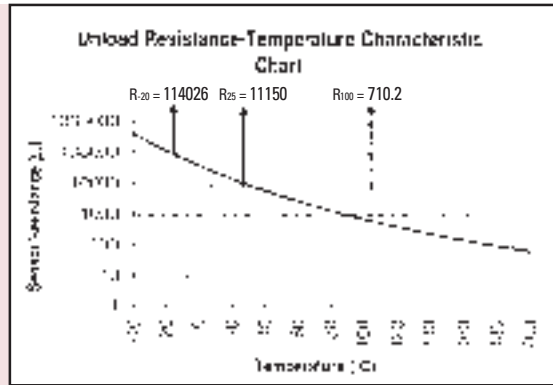


Chart C



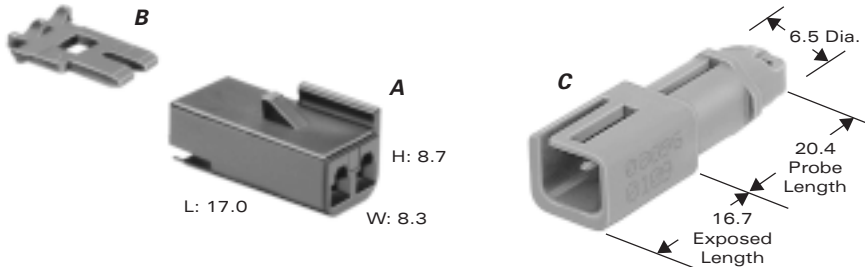
A PART NO: **12047662 (Black)**
12059249 (Natural)
 DESCRIPTION: 150 Metri-Pack Connector 2F
 SIZE: 17.0L x 8.7H x 8.3W
 MATERIAL: PA66 HS IM
 TERMINALS: See Page 302

B PART NO: **12047664**
 DESCRIPTION: TPA
 COLOR: Md. Gray
 MATERIAL: PA66 HS IM

C PART NO: **12160855**
 DESCRIPTION: Sensor Assembly 2M
 COLOR: Black
 MATERIAL: Brass Housing; PA66 HS IM Connector
 WEIGHT: 12.2g
 MOUNTING THREAD SIZE: 1/8"-27 PTF

THERMAL & ELECTRICAL PROPERTIES

TYPICAL VOLTAGE SUPPLY: 5V dc
 OPERATING TEMPERATURE:
 SENSOR TIP: -40°C to 200°C
 CONNECTOR: -40°C to 150°C
 RESISTIVE RANGE (Ω): See Chart C
 DISSIPATION CONSTANT: 12mW/°C
 THERMAL TIME CONSTANT: 10 seconds
 ACCURACY: See Chart C



Total Mated Length: 42.6mm

A PART NO: 12047662 (Black)
12059249 (Natural)
DESCRIPTION: 150 Metri-Pack Connector 2F
SIZE: 17.0L x 8.7H x 8.3W
MATERIAL: PA66 HS IM
TERMINALS: See Page 302

C PART NO: 12129691
DESCRIPTION: Sensor Assembly 2M
COLOR: Md. Gray
MATERIAL: PA66 HS IM
WEIGHT: 2.8g
MOUNTING: Clip/Tie

B PART NO: 12047664
DESCRIPTION: TPA
COLOR: Md. Gray
MATERIAL: PA66 HS IM

THERMAL & ELECTRICAL PROPERTIES

TYPICAL VOLTAGE SUPPLY: 5V dc
OPERATING TEMPERATURE: -40°C to 135°C
RESISTIVE RANGE (Ω): See Chart B
DISSIPATION CONSTANT: 12mW/°C
THERMAL TIME CONSTANT: 5 seconds
ACCURACY: See Chart B

Supplemental Products

Ring Terminals, Battery Terminals, 56 Series Device Connections, Connector Carriers & Clips



Ring Terminal Features

- Advanced crimp wing design
- Complete selection of English and Metric stud-hole sizes
- Wide variety of locking and orientation features

Battery Terminal Features

- State of the art crimp interface technology
- Designed for all appropriate battery and starter cable gage sizes and cable types
- Battery terminals mate to: side post, top post, or top stud batteries
- Starter terminals have anti-rotation features for ease of installation

56 Series Device Features

- Proven connection systems reliability
- Compatible connection systems to most devices
- State of the art crimp interface technology

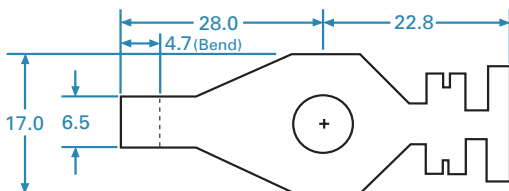
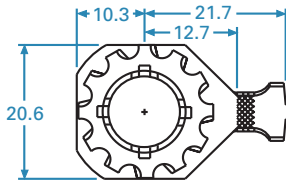
Clip Features

- Broad product selection
- Clips attach easily and securely to connectors via mechanical locking design
- Proven anti-rattle design features

SUPPLEMENTAL PRODUCTS



A wide selection of basic washer style and spade style terminals with design features to accommodate various application requirements. These terminals are designed with both core and insulation crimp wings and employ the same state of the art crimp design features as our entire connection systems family.



RING AND WASHER TERMINAL ASSEMBLIES

Stud Size	Hole Dia.	Cable Range (mm ²)	Part #	Material	Plating	Stock Thickness (mm)
M6.3	7.16	8.0	12162932	Brass	Tin	0.81
M6.3	7.16	5.0-3.0	12065449	Brass	Tin	0.81
M6.3	7.16	3.0-2.0	12089263	Brass	Tin	0.81
M6.3	7.16	1.0-0.80	12089496	Brass	Tin	0.81
M6.3	7.16	1.0-0.80 (2 Req'd.)	12103086	Brass	Tin	0.81
M10	10.34	5.0	12084554	Brass	Tin	0.81
M10	10.34	3.0 - 2.0	12089240	Brass	Tin	0.81
M10	10.34	1.0-0.80	12089045	Brass	Tin	0.81
M10	10.34	1.0-0.80 (2 Req'd.)	12084185	Brass	Tin	0.81
M12	12.60	1.0 (2 Req'd.)	12129822	Brass	Tin	0.81
		1.0-0.80 (2 Req'd.)				

ANTI-ROTATION TERMINALS W/90° TAB

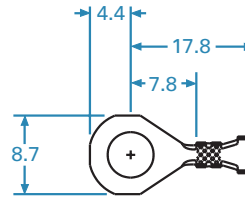
Stud Size	Hole Dia.	Cable Range (mm ²)	Part #	Material	Plating	Stock Thickness (mm)
M6	6.70	8.0	15354755	Copper Alloy	Tin	0.81
M6	6.70	5.0	15354754	Copper Alloy	Tin	0.81
M6	6.70	3.0-2.0	15354753	Copper Alloy	Tin	0.81
M6	6.70	1.0-0.80	15355521	Copper Alloy	Tin	0.81
M8	8.50	8.0	15354758	Copper Alloy	Tin	0.81
M8	8.50	5.0	15354757	Copper Alloy	Tin	0.81
M8	8.50	3.0-2.0	15354756	Copper Alloy	Tin	0.81
M10	10.60	1.0-0.80	12191057	Copper Alloy	Tin	0.81

Anti-Rotation terminals are designed in a straight configuration. A crimp and bend die is available for terminal application.



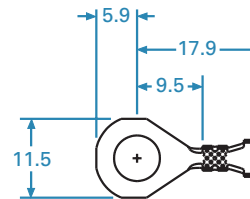
SMALL RING TERMINALS

Stud Size	Hole Dia.	Cable Range (mm ²)	Part #	Material	Plating	Stock Thickness (mm)
M4	4.30	5.0	12103518	Copper Alloy	Tin	1.02
M4	4.30	3.0-2.0	12103520	Copper Alloy	Tin	0.81
M5	5.40	5.0	12103517	Copper Alloy	Tin	1.02
M5	5.40	3.0-2.0	12103519	Copper Alloy	Tin	0.81



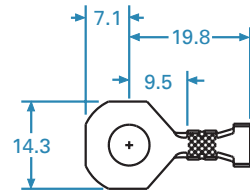
MEDIUM RING TERMINALS

Stud Size	Hole Dia.	Cable Range (mm ²)	Part #	Material	Plating	Stock Thickness (mm)
M4	4.30	1.0-0.80	12103516	Copper Alloy	Tin	0.65
M5	5.40	1.0-0.80	12103515	Copper Alloy	Tin	0.65
M6	6.70	1.0-0.80	12103514	Copper Alloy	Tin	0.65



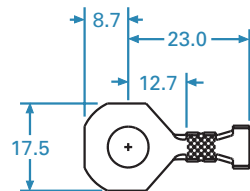
RING TERMINALS

Stud Size	Hole Dia.	Cable Range (mm ²)	Part #	Material	Plating	Stock Thickness (mm)
M6	6.70	5.0	12103512	Copper Alloy	Tin	1.02
M6	6.70	3.0-2.0	12103513	Copper Alloy	Tin	0.81



RING TERMINALS

Stud Size	Hole Dia.	Cable Range (mm ²)	Part #	Material	Plating	Stock Thickness (mm)
M6	6.70	8.0	12103965	Copper Alloy	Tin	1.02
M6	6.70	5.0	12162098	Copper Alloy	Tin	1.02
M6	6.70	3.0-2.0	12162099*	Copper Alloy	Tin	0.81
M6	6.70	1.0-0.80	12162100	Copper Alloy	Tin	0.65
M6	6.70	1.0-0.80 (2 Req'd.)	12103511	Copper Alloy	Tin	0.65
M8	8.50	8.0	12103502*	Copper Alloy	Tin	1.02
M8	8.50	5.0	12103504	Copper Alloy	Tin	1.02
M8	8.50	3.0-2.0	12103506*	Copper Alloy	Tin	0.81
M8	8.50	1.0-0.80	12103508*	Copper Alloy	Tin	0.65
M8	8.50	1.0-0.8 (2 Req'd.)	12103510	Copper Alloy	Tin	0.65
M10	10.60	8.0	12103501	Copper Alloy	Tin	1.02
M10	10.60	5.0	12103503	Copper Alloy	Tin	1.02
M10	10.60	3.0-2.0	12103505	Copper Alloy	Tin	0.81
M10	10.60	1.0-0.80	12103507	Copper Alloy	Tin	0.65
M10	10.60	1.0-0.80 (2 Req'd.)	12103509	Copper Alloy	Tin	0.65



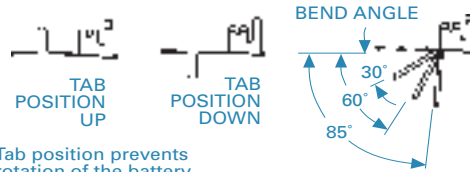
Anti-Rotation terminals are designed in a straight configuration.

A crimp and bend die is available for terminal application.



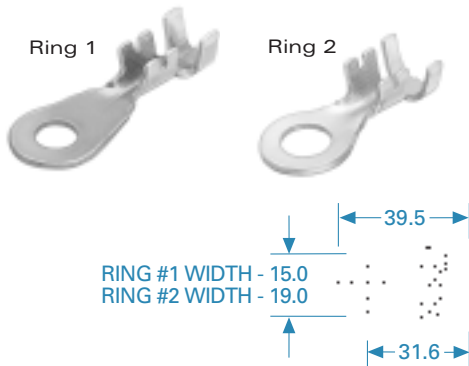
HEAVY DUTY TERMINALS

Delphi Connection Systems offers a complete line of top and side mounted battery terminals for all applications. Anti-rotation tabs are included for ease of installation and assembly. Stamped and serrated crimp wings offer unparalleled crimp reliability and durability.



Tab position prevents rotation of the battery terminal during installation.

Delphi Packard Electric offers **battery cable assemblies** for applications requiring an angled terminal. Contact your regional support representative at the number listed below.

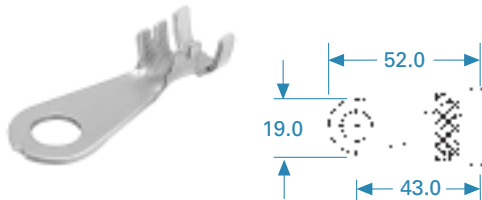


SHORT NECK RING TERMINALS

Ring #	Stud Size	Hole Dia.	Cable Range (mm ²)	Part #	Width	Material	Plating	Stock Thickness (mm)
1	M6	6.70	32.0	12146425	15.0	Copper	Tin	1.52
1	M6	6.70	19.0-13.0	12146366	15.0	Copper	Tin	1.52
1	M6	6.70	8.0	12146364	15.0	Copper	Tin	1.30
1	M8	8.50	32.0	12191220	19.0	Copper	Tin	1.52
1	M8	8.50	32.0	12146429	15.0	Copper	Tin	1.52
1	M8	8.50	19.0-13.0	12146365	15.0	Copper	Tin	1.52
1	M8	8.50	8.0	12146363	15.0	Copper	Tin	1.30
2	M10	10.34	32.0	12146744	19.0	Copper	Tin	1.52
2	M10	10.34	19.0-13.0	12146745	19.0	Copper	Tin	1.52

STANDARD NECK RING TERMINALS

Stud Size	Hole Dia.	Cable Range (mm ²)	Part #	Material	Plating	Stock Thickness (mm)
M6	6.70	32.0	12124276	Copper	Tin	1.52
M6	6.70	19.0-13.0	12146713	Copper	Tin	1.52
M6	6.70	8.0	12124296	Copper	Tin	1.52
M8	8.50	62.0-50.0	12103014	Copper	Tin	1.83
M8	8.50	32.0	12146361	Copper	Tin	1.52
M8	8.50	19.0-13.0	12129598	Copper	Tin	1.52
M8	8.50	8.0	12124297	Copper	Tin	1.52
M10	10.34	62.0-50.0	12103010	Copper	Tin	1.83
M10	10.34	50.0	12160231	Copper	Tin	1.83
M10	10.34	32.0	12146360	Copper	Tin	1.52
M10	10.34	19.0-13.0	12146362	Copper	Tin	1.52
M10	10.34	8.0	12124295	Copper	Tin	1.30



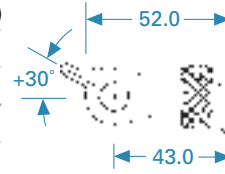
<http://delphi.com/products/connect>

HEAVY DUTY TERMINALS



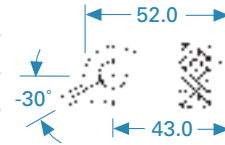
STANDARD NECK STARTER TERMINALS

Stud Size	Hole Dia.	Tab Position	Cable Range (mm ²)	Part #	Material	Plating	Stock Thickness (mm)
M8	8.50	30° Up	32.0	12146506	Copper	Tin	1.52
M10	10.34	30° Up	32.0	12146401	Copper	Tin	1.52
M8	8.50	30° Down	32.0	15317798	Copper	Tin	1.52
M8	8.50	30° Down	19.0-13.0	12110246	Copper	Tin	1.52



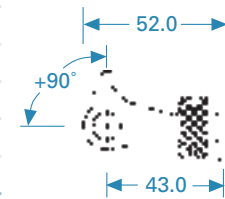
STANDARD NECK STARTER TERMINALS

Stud Size	Hole Dia.	Tab Position	Cable Range (mm ²)	Part #	Material	Plating	Stock Thickness (mm)
M8	8.50	-30° Up	50.0	12161119	Copper	Tin	1.83
M8	8.50	-30° Up	32.0	12129433	Copper	Tin	1.52
M8	8.50	-30° Up	19.0-13.0	12146579	Copper	Tin	1.52
M10	10.34	-30° Up	50.0	12146471	Copper	Tin	1.83
M10	10.34	-30° Up	32.0	12146487	Copper	Tin	1.52
M8	8.50	-30° Down	32.0	12129651	Copper	Tin	1.52
M8	8.50	-30° Down	19.0-13.0	12160443	Copper	Tin	1.52
M10	10.34	-30° Down	32.0	12160281	Copper	Tin	1.52



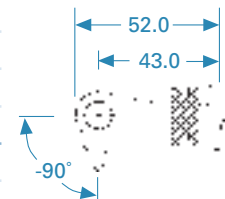
STANDARD NECK STARTER TERMINALS

Stud Size	Hole Dia.	Tab Position	Cable Range (mm ²)	Part #	Material	Plating	Stock Thickness (mm)
M8	8.50	90° Up	50.0	15305504	Copper	Tin	1.83
M8	8.50	90° Up	32.0	12129437	Copper	Tin	1.52
M8	8.50	90° Up	19.0-13.0	12129435	Copper	Tin	1.52
M10	10.34	90° Up	50.0	12160229	Copper	Tin	1.83
M10	10.34	90° Up	32.0	15304850	Copper	Tin	1.52
M8	8.50	90° Down	32.0	12161133	Copper	Tin	1.52
M8	8.50	90° Down	19.0-13.0	12161170	Copper	Tin	1.52



STANDARD NECK STARTER TERMINALS

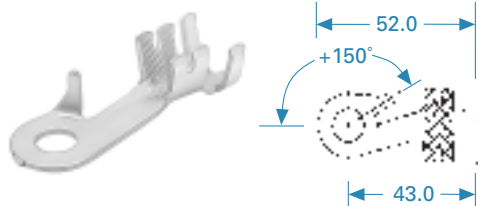
Stud Size	Hole Dia.	Tab Position	Cable Range (mm ²)	Part #	Material	Plating	Stock Thickness (mm)
M8	8.50	-90° Up	32.0	12176593	Copper	Tin	1.52
M8	8.50	-90° Up	19.0-13.0	12160242	Copper	Tin	1.52
M10	10.34	-90° Up	50.0	12129222	Copper	Tin	1.83
M10	10.34	-90° Up	32.0	12129628	Copper	Tin	1.52
M8	8.50	-90° Down	50.0	12160233	Copper	Tin	1.83
M8	8.50	-90° Down	32.0	12160232	Copper	Tin	1.52
M8	8.50	-90° Down	19.0-13.0	12146999	Copper	Tin	1.52
M10	10.34	-90° Down	19.0-13.0	12146736	Copper	Tin	1.52



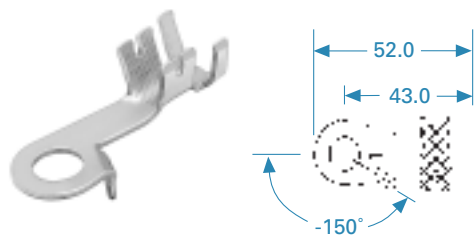
<http://delphi.com/products/connect>



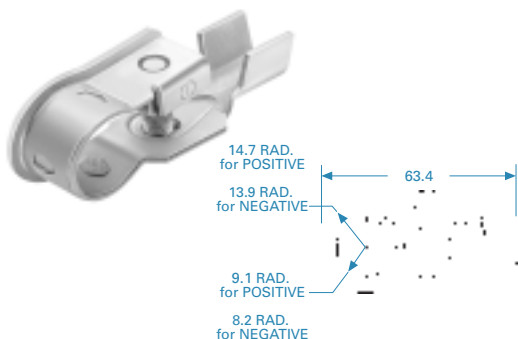
HEAVY DUTY TERMINALS



STANDARD NECK STARTER TERMINALS							
Stud Size	Hole Dia.	Tab Position	Cable Range (mm ²)	Part #	Material	Plating	Stock Thickness (mm)
M8	8.50	150° Up	50.0	15305508	Copper	Tin	1.83
M8	8.50	150° Up	32.0	12191773	Copper	Tin	1.52
M10	10.34	150° Up	50.0	12191005	Copper	Tin	1.83
M8	8.50	150° Down	19.0-13.0	12146718	Copper	Tin	1.52
M10	10.34	150° Down	32.0	12191461	Copper	Tin	1.52

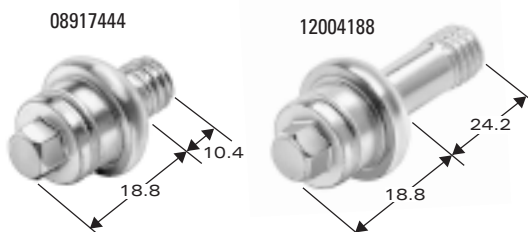


STANDARD NECK STARTER TERMINALS							
Stud Size	Hole Dia.	Tab Position	Cable Range (mm ²)	Part #	Material	Plating	Stock Thickness (mm)
M8	8.50	-150° Up	50.0	12191787	Copper	Tin	1.83
M10	10.34	-150° Down	32.0	15318209	Copper	Tin	1.52



TOP POST BATTERY TERMINALS						
Application	Cable Range (mm ²)	Part #	Material	Plating	Stock Thickness (mm)	
Negative	50.0	12177299	Copper	Tin	1.52	
Positive	50.0	12177296	Copper	Tin	1.52	
Negative	32.0	12177297	Copper	Tin	1.52	
Positive	32.0	12177298	Copper	Tin	1.52	
Positive	19.0	15305118	Copper	Tin	1.52	
Negative	19.0	15305119	Copper	Tin	1.52	

Fastener Bolt (12177293) and nut (12177294) are available from the manufacturer.



BATTERY BOLTS & SPACER			
Part #	Material	Plating	Spacer
08917444	Steel	Zinc Gold Chromate	-
12004188	Steel	Zinc Gold Chromate	12004189

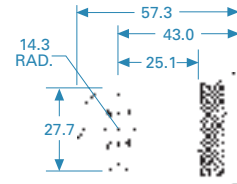
Coated with "Pavco" sealer to provide corrosion protection.



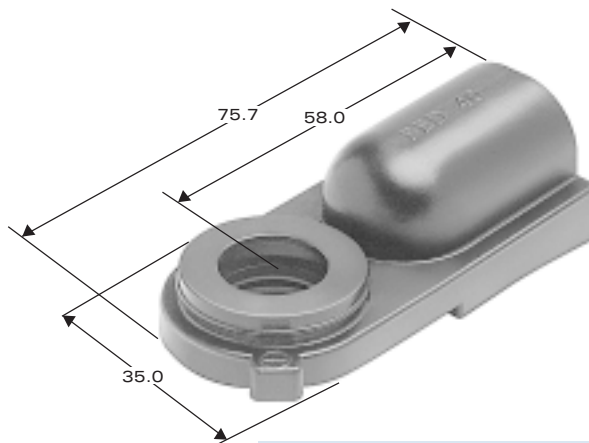
SIDE POST BATTERY TERMINALS & COVERS

SIDE POST BATTERY TERMINALS

Stud Size	Hole Dia.	Cable Range (mm ²)	Part #	Barbs*	Material	Plating	Stock Thickness (mm)
M10	9.90	62.0	12129221	Yes	Copper	Tin	1.83
M10	9.90	50.0	12129465	Yes	Copper	Tin	1.83
M10	9.90	32.0	12146466	Yes	Copper	Tin	1.52
M10	9.90	19.0	12146467	Yes	Copper	Tin	1.52
M10	9.90	13.0	12146464	Yes	Copper	Tin	1.52



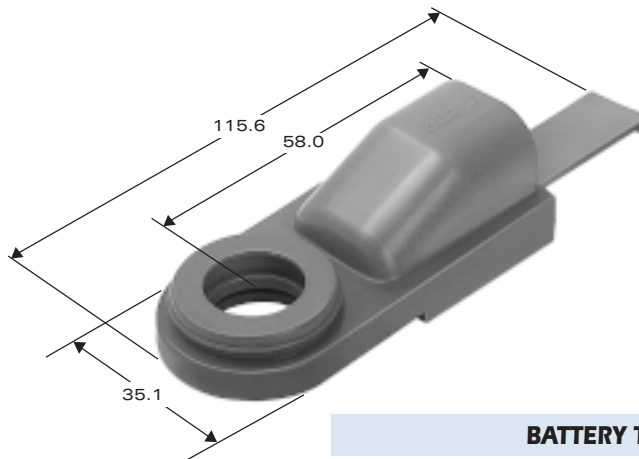
*Barbs (indentations in center hole) in terminals are used to prevent rotation after assembly. Bolts ordered separately.



BATTERY TERMINAL COVERS

Part #	Color	Overall Length	Height	Width	Application	Material
12160209	Black	75.7	25.5	35.0	Single	Vinyl
12160210	Red	75.7	25.5	35.0	Single	Vinyl

Used with battery bolt 08917444 or equivalent



BATTERY TERMINAL COVER ASSEMBLY*

Part #	Color	Overall Length	Height	Width	Application	Material
15304878	Black	115.6	27.5	35.1	(2) Stackable	Vinyl
15304876	Red	115.6	27.5	35.1	(2) Stackable	Vinyl

Used with battery bolt 12004188 or equivalent.

* Includes 12004189 Spacer.

SECTION NOTES:

Contact your regional support representative at the number listed below.

- Covers protect the interface between the cable and the battery.

<http://delphi.com/products/connect>



Delphi Packard Electric designs and manufactures a wide selection of cable seals and cavity plugs for a variety of connection systems applications. The following chart captures only a few of the diverse sealing products available for your design needs. Please contact your Delphi Packard Electric representative for additional product selections and application information.

3.6mm INTERNAL CAVITY DIAMETER CABLE SEALS

Reel Part #	Loose Part #	Cable Diameter	Material	Color
–	15327913	1.60-1.20	Silicone	Red
15344666	15327918	2.00-1.40	Silicone	Gray
–	15339412	2.10-1.90	Silicone	Yellow
–	15344324	2.10-1.20	Silicone	Dk. Red
–	15366022	1.85-1.47	Silicone	Green
–	15305351	2.10-1.70	Silicone	Yellow

4.0mm INTERNAL CAVITY DIAMETER CABLE SEALS

Part #	Cable Diameter	Material	Color
15366021	1.85-1.20	Silicone	White
15366060	2.25-1.86	Silicone	Blue

5.2mm INTERNAL CAVITY DIAMETER CABLE SEALS

Reel Part #	Loose Part #	Cable Diameter	Material	Color
12089442	12089678	2.15-1.60	Silicone	White
10731091	10737671	2.30-1.50	Silicone	Red
–	10720833	2.40-1.60	Silicone	White
15344643	15327863	2.70-2.00	Silicone	Dk. Red
15363992	15344715	2.90-2.00	Silicone	Dk. Red
10731090	10737670	2.40-2.20	Silicone	Blue
10720641	15327859	2.90-2.70	Silicone	Orange
15343826	15339967	2.10-1.20	Silicone	Blue
15343827	10720947	3.00-2.20	Silicone	White
–	10727065	2.40-1.90	Silicone	Violet

5.7mm INTERNAL CAVITY DIAMETER CABLE SEALS

Part #	Cable Diameter	Material	Color
10720941	2.00-1.20	Silicone	Gray
10720950	2.90-2.10	Silicone	Yellow

5.8mm INTERNAL CAVITY DIAMETER CABLE SEALS

Part #	Cable Diameter	Material	Color
10727066	1.90-1.20	Silicone	Orange
15344103	3.70-3.40	Silicone	Violet

3.6mm INTERNAL CAVITY DIAMETER CAVITY PLUG

Part #	Material	Color
12198198	Silicone	White

5.2mm INTERNAL CAVITY DIAMETER CAVITY PLUGS

Part #	Material	Color
15337197	Silicone	White
10730124	Silicone	Green
12059168	Silicone	Dk. Red

SECTION NOTES:

- Contact your regional support representative at the number listed below.
- Cable seals and cavity plugs are designed using multiple internal configurations. These design variations do not affect sealability.
- Your regional support representative will help you select the appropriate cable seal based on: cavity diameter, cable diameter, and crimp configuration requirements.

<http://delphi.com/products/connect>



6.7mm INTERNAL CAVITY DIAMETER CABLE SEALS

Reel Part #	Loose Part #	Cable Diameter	Material	Color
12034365	12015899	2.00-1.20	Silicone	Dk. Red
15338470	15337207	2.40-1.60	Silicone	Violet
15363980	15344642	2.90-2.00	Silicone	Green
10733035	12041351	2.40-2.00	Silicone	Lt. Brown
15363991	10737704	3.50-2.80	Silicone	Gray
15344102	10720851	4.20-3.50	Silicone	Blue

6.8mm INTERNAL CAVITY DIAMETER CABLE SEALS

Reel Part #	Loose Part #	Cable Diameter	Material	Color
10717456	10720611	2.30-1.50	Silicone	Green
10718234	10720613	3.00-2.20	Silicone	Yellow
10731103	10720615	3.70-3.40	Silicone	White

8.5mm INTERNAL CAVITY DIAMETER CABLE SEALS

Reel Part #	Loose Part #	Cable Diameter	Material	Color
15344644	15363779	2.00-1.20	Silicone	Yellow
12052931	12052930	2.40-1.60	Silicone	Yellow
-	15327998	2.70-2.00	Silicone	Blue
12048433	12048441	2.90-2.00	Silicone	White
15344645	15363604	2.90-2.00	Silicone	White
12052452	12048442	3.90-2.80	Silicone	Dk. Red
15337204	15327864	2.80-3.80	Silicone	Dk. Red
15344646	15363605	3.60-4.50	Silicone	Green
10733034	10733145	4.40-5.10	Silicone	Gray
15344104	15344647	4.40-5.10	Silicone	Gray

9.8mm INTERNAL CAVITY DIAMETER CABLE SEALS

Reel Part #	Loose Part #	Cable Diameter	Material	Color
10730240	10720847	2.40-1.60	Silicone	Lt. Brown
12059259	10720844	2.90-2.00	Silicone	Dk. Red
10730241	10738785	3.80-2.80	Silicone	Gray
15344032	10738786	4.50-3.60	Silicone	Blue
12059257	12052386	5.10-4.40	Silicone	Green

13.75mm INTERNAL CAVITY DIAMETER CABLE SEALS

Part #	Cable Diameter	Material	Color
15327126	4.30-3.40	Silicone	Dk. Red
10720983	6.40-6.00	Silicone	Green

6.7mm INTERNAL CAVITY DIAMETER CAVITY PLUG

Part #	Material	Color
12010300	Silicone	Green

6.8mm INTERNAL CAVITY DIAMETER CAVITY PLUG

Part #	Material	Color
10720617	Silicone	Red

8.5mm INTERNAL CAVITY DIAMETER CAVITY PLUG

Part #	Material	Color
12066082	Silicone	Lt. Green

9.8mm INTERNAL CAVITY DIAMETER CAVITY PLUG

Part #	Material	Color
12059255	Silicone	Lt. Green

13.75mm INTERNAL CAVITY DIAMETER CAVITY PLUG

Part #	Material	Color
10720907	Silicone	Green

<http://delphi.com/products/connect>

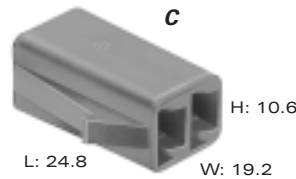


Using a proven terminal interface technology and an enhanced crimp configuration, 56 Series Device Connections remain an industry standard. A number of standard industry device connection systems are immediately available.

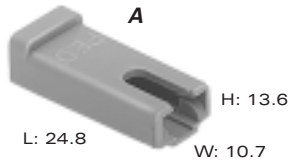


56 SERIES FEMALE TERMINALS UNSEALED

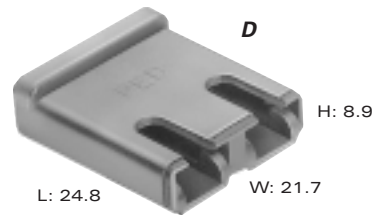
Part #	Cable Range (mm ²)	Material	Plating
12124512*	0.80-0.50	Brass	Tin
12124513	0.80-0.50	Brass	Tin
12124515*	2.0-1.0	Brass	Tin
12124517	2.0-1.0	Brass	Tin
12124518*	3.0	Brass	Tin
12124519	3.0	Brass	Tin
12124520*	0.80-0.50 (2 Req'd.)	Brass	Tin
12124522*	2.0-1.0 (2 Req'd.)	Brass	Tin
12124523	2.0-1.0 (2 Req'd.)	Brass	Tin



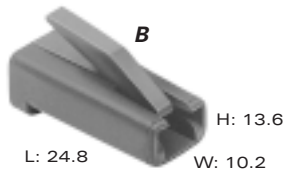
C PART NO: 08900863
 DESCRIPTION: Connector 2F
 SIZE: 24.8L x 10.6H x 19.2W
 COLOR: Black
 MATERIAL: PP
 TERMINALS: See Above, 56 Series
 TYPICAL APP: Switch



A PART NO: 12015306
 DESCRIPTION: Connector 1F
 SIZE: 24.8L x 13.6H x 10.7W
 COLOR: Gray
 MATERIAL: PA66 HS IM
 TERMINALS: See Above, 56 Series
 TYPICAL APP: Switch



D PART NO: 02973407
 DESCRIPTION: Connector 2F
 SIZE: 24.8L x 8.9H x 21.7W
 COLOR: Black
 MATERIAL: PP
 TERMINALS: See Above, 56 Series
 TYPICAL APP: Various

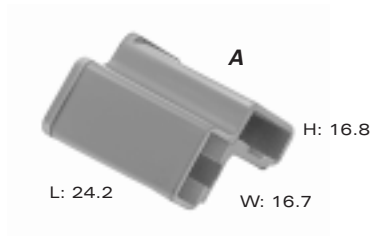


B PART NO: 12004267
 DESCRIPTION: Connector 1F
 SIZE: 24.8L x 13.6H x 10.2W
 COLOR: Black
 MATERIAL: PP IM
 TERMINALS: See Above, 56 Series
 TYPICAL APP: Horn

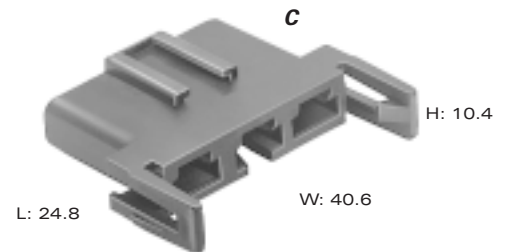
SECTION NOTES:

Contact your regional support representative at the number listed below.

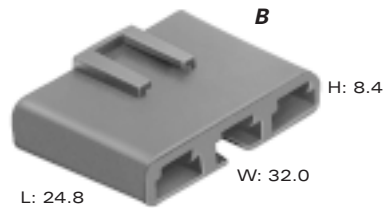
- Nib on terminal provides increased retention when used with specific mating blade.



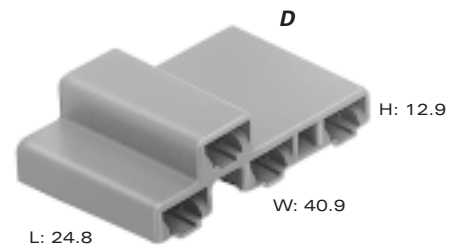
A PART NO: 02973385
DESCRIPTION: Connector 2F
SIZE: 24.2L x 16.8H x 16.7W
COLOR: Black
MATERIAL: PP
TERMINALS: See Page 314
TYPICAL APP: Various



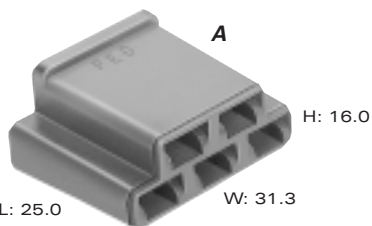
C PART NO: 08905790
DESCRIPTION: Connector 3F
SIZE: 24.8L x 10.4H x 40.6W
COLOR: Black
MATERIAL: PP
TERMINALS: See Page 314
TYPICAL APP: Switch



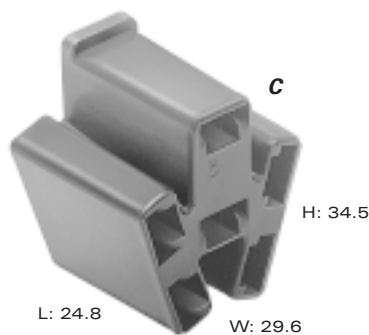
B PART NO: 02984959
DESCRIPTION: Connector 3F
SIZE: 24.8L x 8.4H x 32.0W
COLOR: Black
MATERIAL: PP
TERMINALS: See Page 314
TYPICAL APP: Various



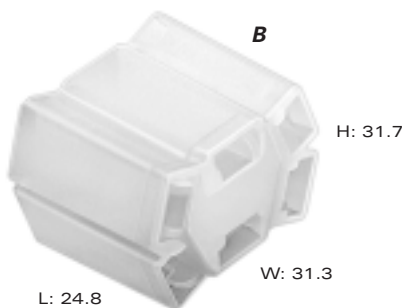
D PART NO: 02965019
DESCRIPTION: Connector 4F
SIZE: 24.8L x 12.9H x 40.9W
COLOR: Gray
MATERIAL: PP 40% TF
TERMINALS: See Page 314
TYPICAL APP: Relay



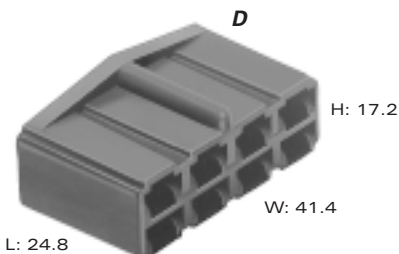
A PART NO: 12004327
 DESCRIPTION: Connector 5F
 SIZE: 25.0L x 16.0H x 31.3W
 COLOR: Brown
 MATERIAL: PP
 TERMINALS: See Page 314
 TYPICAL APP: Various



C PART NO: 02984017
 DESCRIPTION: Connector 6F
 SIZE: 24.8L x 34.5H x 29.6W
 COLOR: Black
 MATERIAL: PP
 TERMINALS: See Page 314
 TYPICAL APP: Switch



B PART NO: 12052978
 DESCRIPTION: Connector 6F
 SIZE: 24.8L x 31.7H x 31.3W
 COLOR: Natural
 MATERIAL: PP
 TERMINALS: See Page 314
 TYPICAL APP: Switch

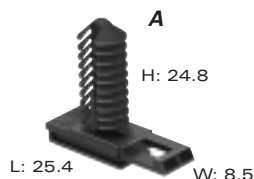


D PART NO: 02965977
 DESCRIPTION: Connector 8F
 SIZE: 24.8L x 17.2H x 41.4W
 COLOR: Black
 MATERIAL: PP
 TERMINALS: See Page 314
 TYPICAL APP: Various

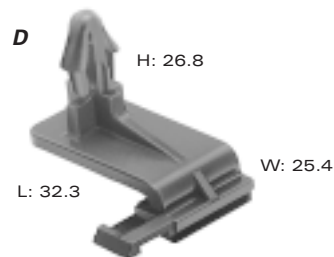




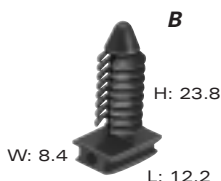
Connectors are positively positioned within the vehicle via the use of Delphi Packard's integral connector clips. These clips are easily assembled to the connectors and reliably remain in position. Designs incorporate features that prevent movement or rattling regardless of driving conditions.



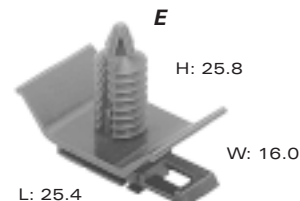
A PART NO: 12186353
DESCRIPTION: Clip (Self Locking)
SIZE: 25.4L x 24.8H x 8.5W
COLOR: Black
MATERIAL: PA66 HS IM



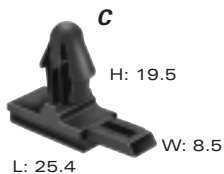
D PART NO: 12110517
DESCRIPTION: Clip (Self Locking)
SIZE: 32.3L x 26.8H x 25.4W
COLOR: Black
MATERIAL: PA66 HS IM



B PART NO: 12047835
DESCRIPTION: Clip
SIZE: 12.2L x 23.8H x 8.4W
COLOR: Black
MATERIAL: PA6
NOTE: Attach by sonic weld (preferred) or adhesive.



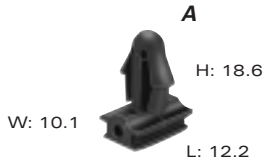
E PART NO: 12110783
DESCRIPTION: Clip (Self Locking)
SIZE: 25.4L x 25.8H x 16.0W
COLOR: Black
MATERIAL: PA66 HS IM



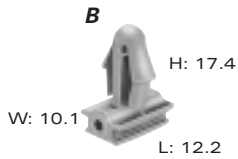
C PART NO: 12084149 (Black)
MATERIAL: PP IM
PART NO: 12110290 (Gray)
MATERIAL: PA66 HS IM
DESCRIPTION: Clip (Self Locking)
SIZE: 25.4L x 19.5H x 8.5W

SECTION NOTES:

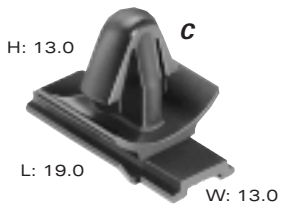
- Contact your regional support representative at the number listed below.
- Product information shown is a representative sample of the available plastic and metal clips.
- Self-locking clips require connectors with self-locking features.



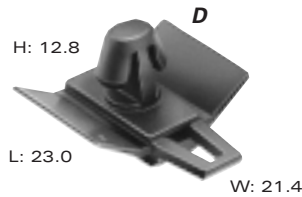
A PART NO: **08905563**
 DESCRIPTION: Clip
 SIZE: 12.2L x 18.6H x 10.1W
 COLOR: Black
 MATERIAL: PP IM
 NOTE: Attach by sonic weld (preferred) or adhesive.



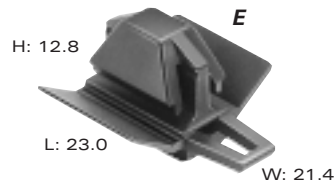
B PART NO: **12084561**
 DESCRIPTION: Clip
 SIZE: 12.2L x 17.4H x 10.1W
 COLOR: Gray
 MATERIAL: PA66 HS IM
 NOTE: Attach by sonic weld (preferred) or adhesive.



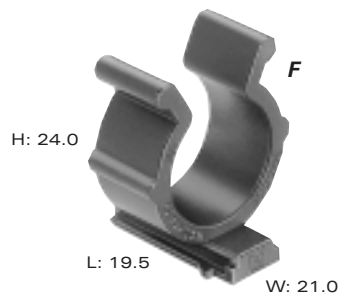
C PART NO: **10717452**
 DESCRIPTION: Clip (Self-Locking)
 SIZE: 19.0L x 13.0H x 13.0W
 COLOR: Black
 MATERIAL: PA66



D PART NO: **15439875**
 DESCRIPTION: Clip (Self-Locking)
 SIZE: 23.0L x 12.8H x 21.4W
 COLOR: Black
 MATERIAL: PA66

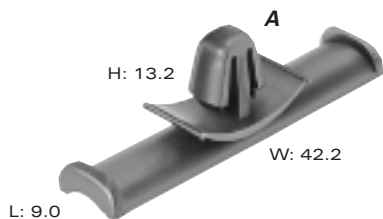


E PART NO: **15427170**
 DESCRIPTION: Clip (Self-Locking)
 SIZE: 23.0L x 12.8H x 21.4W
 COLOR: Black
 MATERIAL: PA66

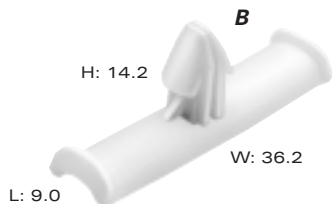


F PART NO: **10720007**
 DESCRIPTION: Tube Clip (Self-Locking)
 SIZE: 19.5L x 24.0H x 21.0W
 COLOR: Black
 MATERIAL: PA66

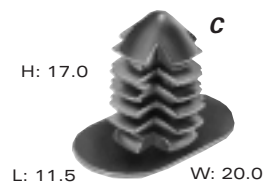
<http://delphi.com/products/connect>



A PART NO: **12147875**
 DESCRIPTION: Harness Clip
 SIZE: 9.0L x 13.2H x 42.2W
 COLOR: Black
 MATERIAL: PA66



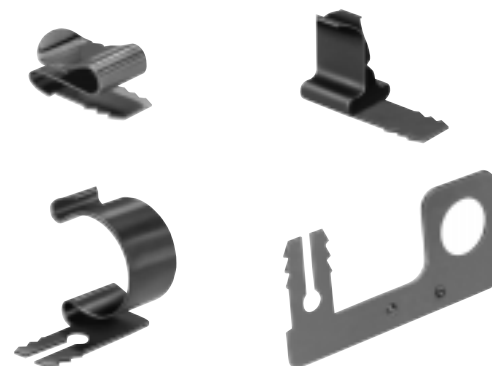
B PART NO: **15344856**
 DESCRIPTION: Harness Clip
 SIZE: 9.0L x 14.2H x 36.2W
 COLOR: Natural
 MATERIAL: PP



C PART NO: **10719204**
 DESCRIPTION: Fixing Clip
 SIZE: 11.5L x 17.0H x 20.0W
 COLOR: Black
 MATERIAL: PA66



Metal Clips

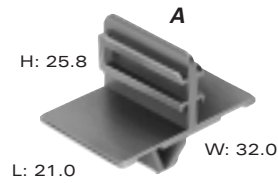


SECTION NOTES:

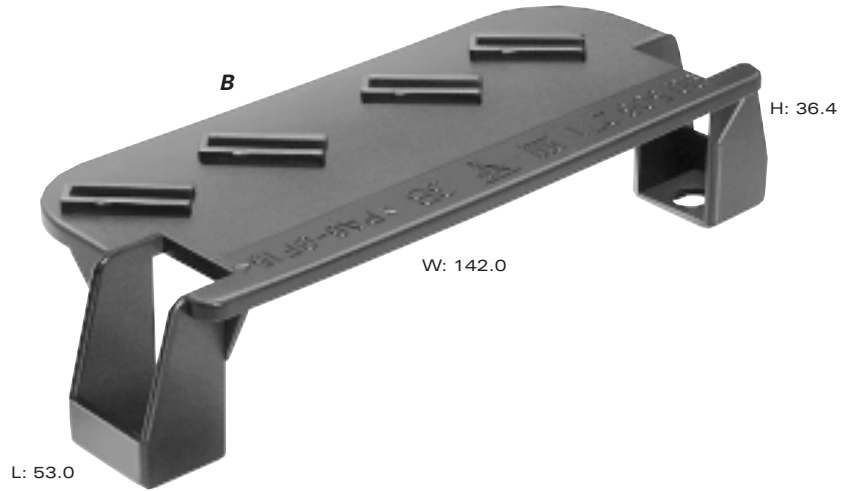
- Contact your regional support representative at the number listed below.
- Product information shown is a representative sample of the available plastic and metal clips.
- Self-locking clips require connectors with self-locking features.
- Attach by Hand Arbor or air assist machine.



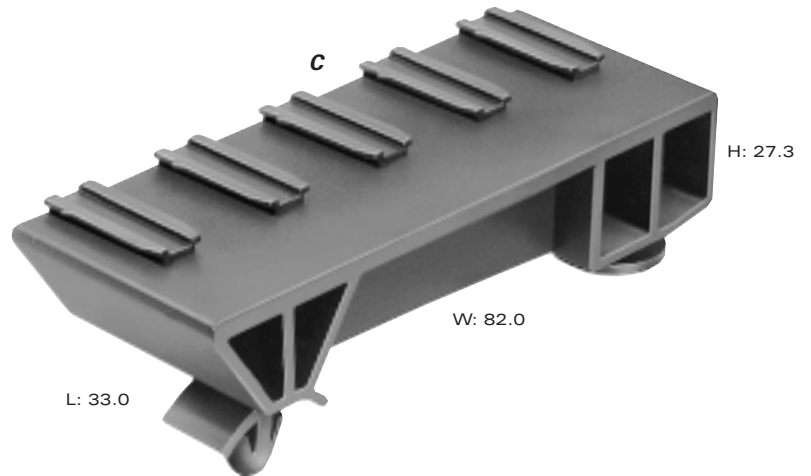
A PART NO: 12185083
DESCRIPTION: 2 Position Carrier
SIZE: 21.0L x 25.8H x 32.0W
COLOR: Black
MATERIAL: PA6 15% GF



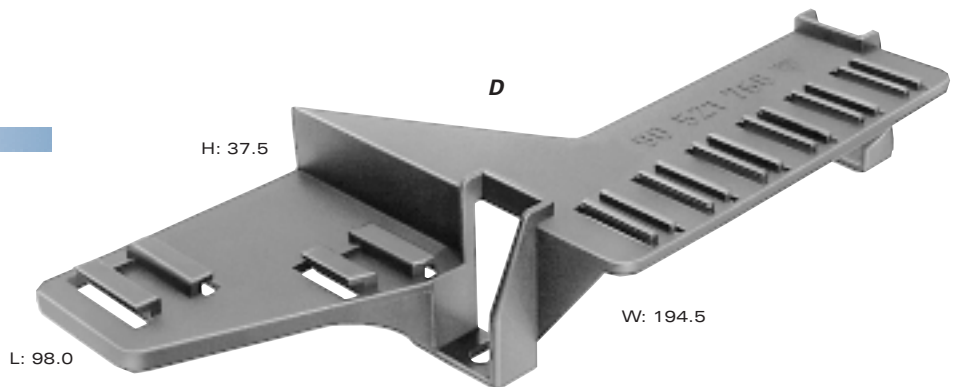
B PART NO: 10719975
DESCRIPTION: 4 Position Carrier
SIZE: 53.0L x 36.4H x 142.0W
COLOR: Black
MATERIAL: PA6 15% GF



C PART NO: 10740405
DESCRIPTION: 5 Position Carrier
SIZE: 33.0L x 27.3H x 82.0W
COLOR: Black
MATERIAL: PP 20% GF



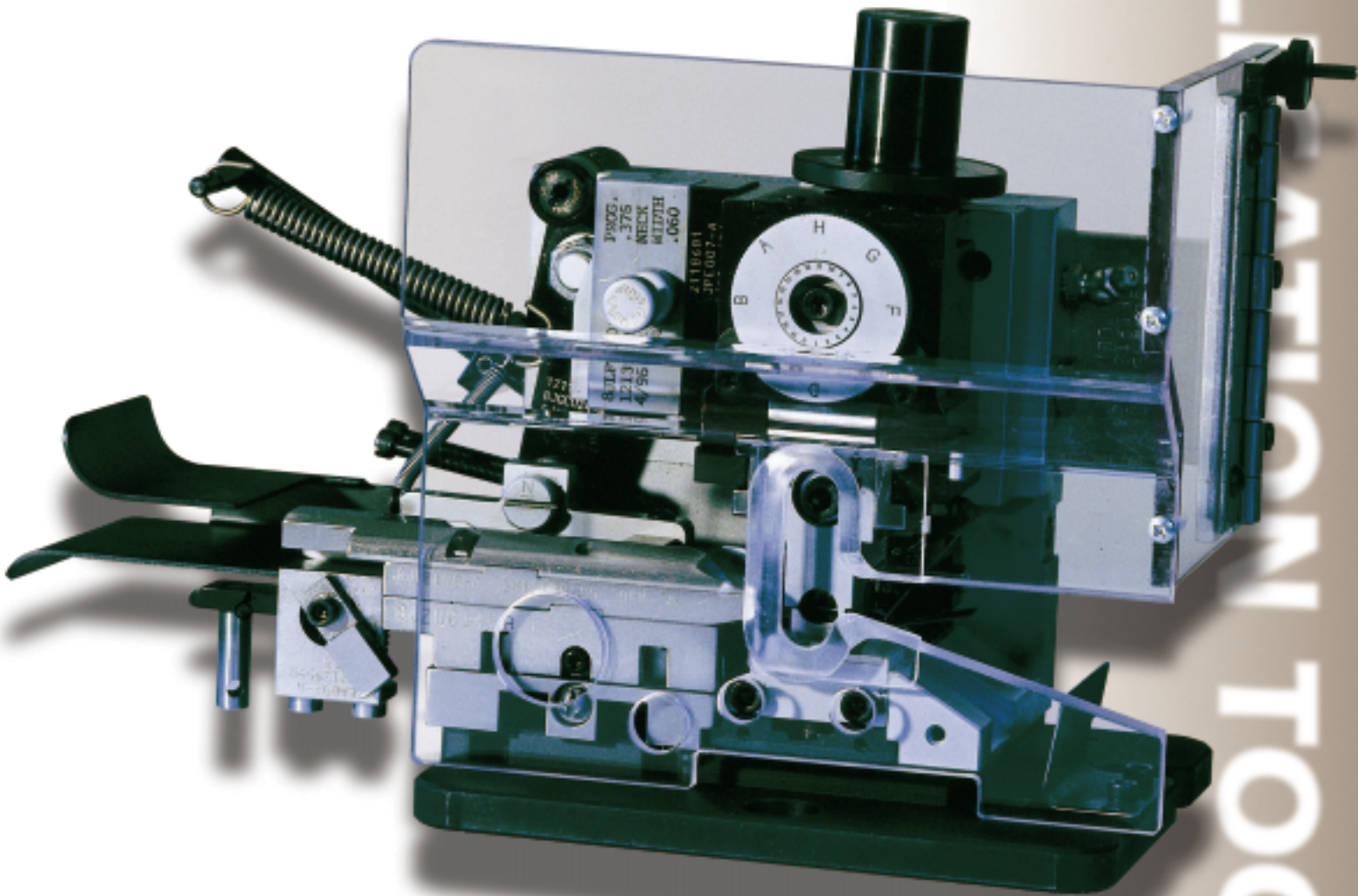
D PART NO: 10720085
DESCRIPTION: 8 Position* Carrier
SIZE: 98.0L x 37.5H x 194.5W
COLOR: Black
MATERIAL: PA6 15% GF
*6 STANDARD, 2 NON-STANDARD.



<http://delphi.com/products/connect>

Application Tooling

Delphi Connection Systems offers application tooling for both automatic and hand tool operations. This section highlights various presses and dies as well as some of our more common hand tools.



Additional information on our automatic dies and presses is available by calling North American Regional Sales and Service number: 1-800-DIE-INFO (343-4636)

(All other regions contact regional support representative)

Additional information on our hand tools is available by contacting your regional support representative at the number listed at the bottom of each page.

APPLICATION TOOLING

DELPHI PACKARD PRESSES:

Delphi Packard offers two bench-style Speed-O-Matic presses.

3-TON USED FOR: Metri-Pack, Weather-Pack, ComPack, Micro-Pack, and Pack-Con terminals.

5-TON USED FOR: 56/58/59 series terminals and ring terminals.

SAFETY FEATURE: • An optional single stroke mechanism will prevent the press from recycling if the electrical anti-repeat should fail.

MOTOR FEATURES: • 1/2 H.P. (5-Ton) or 1/3 H.P. (3-Ton). 115V, 1750 rpm, single phase, 60 cycle.

Presses may be purchased, leased or rented. Contact your account representative.

Easy Maintenance

Application Rate of up to 4,000 Terminals per Hour

Safety Guard

Proven Press in the Connection Systems Industry



Rugged

Factory Life of over 40 years

Optional Heavy-Duty Stand

The press of choice for Delphi Packard Electric

DELPHI PACKARD SPEED-O-MATIC DIES:

Delphi Packard Speed-O-Matic dies used together with our Speed-O-Matic 3-Ton or 5-Ton press will allow a maximum application rate of up to 4,000 terminals per hour. Speed-O-Matic dies can be set up to run a variety of applications.

Therefore, when ordering an applicator die, please provide Delphi Packard with the following information:

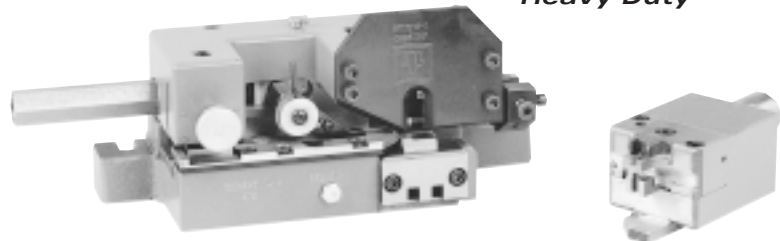
- Terminal part number
- Gauge of cable to be crimped
- Type of cable insulation

Speed-O-Matic dies may be purchased, and certain dies are also available for rental or lease. Contact your account representative.

Please see cross-reference sheet for terminal-to-die information. See Page 336.

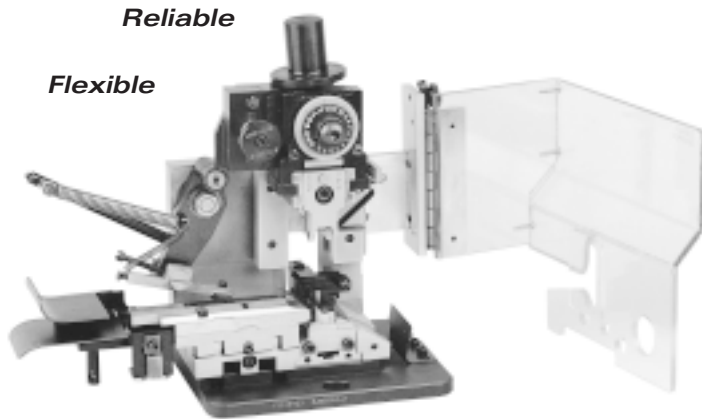
Factory Life of over 40 years

Heavy-Duty



Application Rate of up to 4,000 terminals per hour

<http://delphi.com/products/connect>



Reliable

Flexible

*Quick & Easy
Die Changes*

DELPHI PACKARD E-Z PACK DIE:

E-Z Pack Die can best be described as an advanced and flexible terminal application system.

FEATURES:

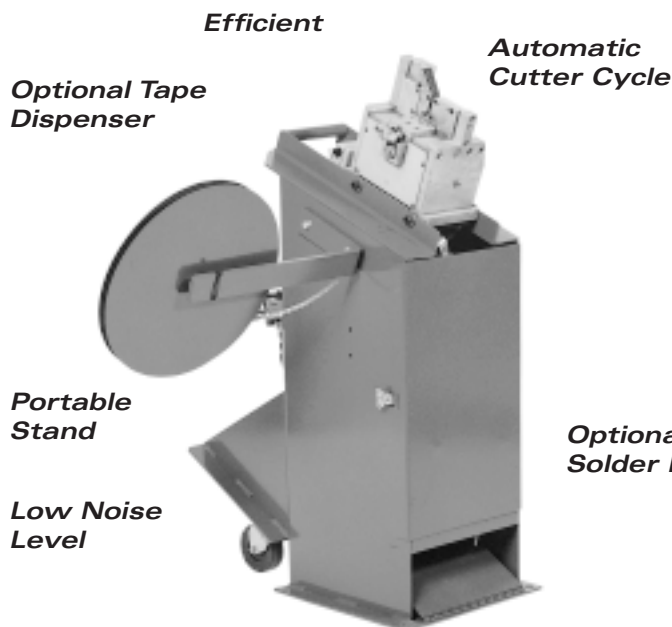
- This die consists of a die base, quick change module (terminal specific), and a conversion kit that adapts the base to various presses.
- This die may be installed in Delphi Packard's 3 or 5-ton press, or into other manufacturers' presses with an adapter kit.
- This die may be bench mounted or installed on wire processing cutter equipment.

ADVANTAGES:

- Reduces changeover time and downtime.
- Die changes are performed quickly and easily, without a need for special tools. Simply remove the tool module and insert the next module into the die base.

E-Z Pack Dies may be purchased, leased or rented. Contact your account representative.

Please see cross reference sheet for terminal-to-die information. See Page 336.



Efficient

*Automatic
Cutter Cycle*

*Optional Tape
Dispenser*

*Portable
Stand*

*Low Noise
Level*

*Optional Liquid
Solder Pot*

*Requires Minimal
Floor Space*

DELPHI PACKARD LOW PROFILE SPLICE DIE AND STAND:

This air operated press and die allows splicing of two or more wire leads and provides good visibility to crimping area.

Die & stand sold as a unit.

SPECIFICATIONS:

OVERALL HEIGHT:	1143mm (45 inches)
OVERALL WIDTH:	914mm (36 inches)
OVERALL DEPTH:	610mm (24 inches)

DELPHI PACKARD FLEX-GUARD CONDUIT CUTTER:

This versatile machine is designed for use both as a production line machine and for bulk conduit cutting operations.

FOR PRODUCTION LINE OPERATIONS:

- With machine modifications, will cut up to three different lengths of conduit in any pre-determined sequence.

FOR BULK CUTTING OPERATIONS:

- Will cut as many as 99,999 pieces of conduit of the same length in one continuous operation.

This cutter requires both electrical and pneumatic connections.

SPECIFICATIONS:

- OVERALL HEIGHT: 1854mm (73 inches)
- OVERALL WIDTH: 787mm (31 inches)
- OVERALL DEPTH: 330mm (13 inches)
- POWER REQUIREMENTS: Electrical-440 volt, 60 cycle AC, 110 volt may be requested.



Cuts Various Lengths

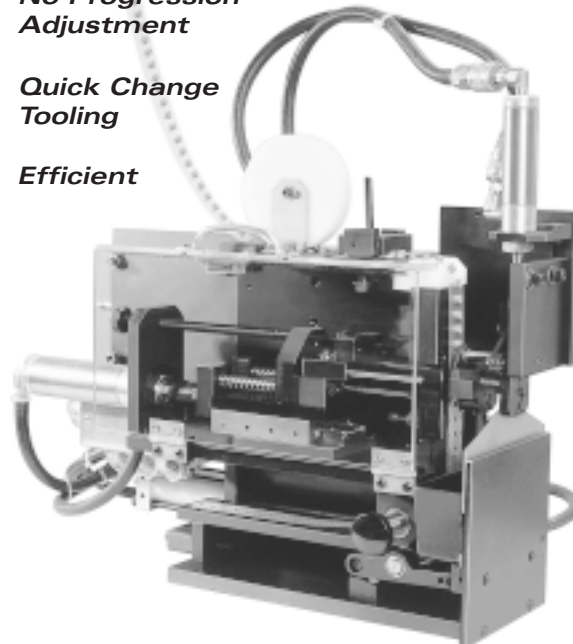
Versatile

Easy to Operate

No Progression Adjustment

Quick Change Tooling

Efficient

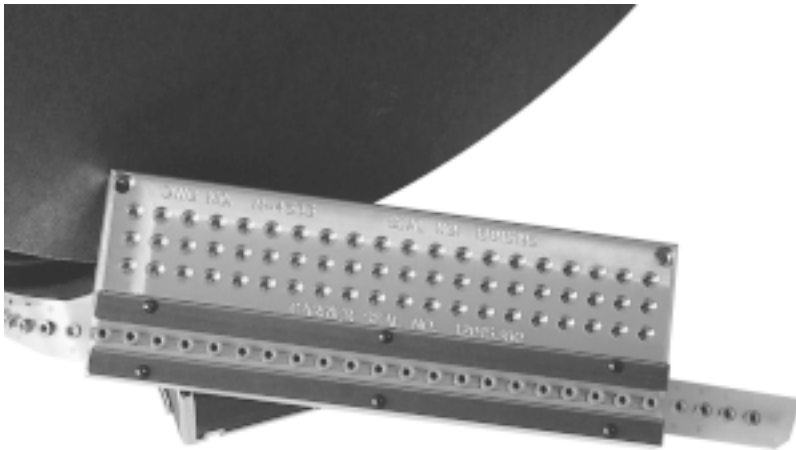


DELPHI PACKARD AUTOMATIC CABLE SEAL APPLICATOR:

This tool is designed to automatically apply cable seals from a continuous mylar carrier strip onto unstripped cable. Cable may range in size from 0.22mm² gauge (thin wall) to 5.0mm² gauge (heavy wall).

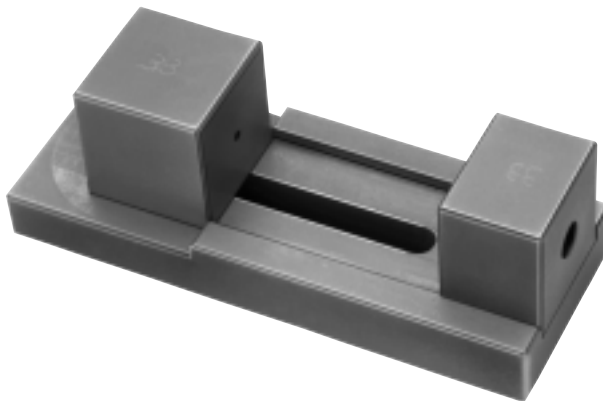
This applicator is designed for use on automatic cable processing equipment.

<http://delphi.com/products/connect>



DELPHI PACKARD MANUAL CABLE SEAL INSERTION BLOCK:

This block is a machined piece of aluminum, approximately 1" thick, 6" wide, and 12" long. There are 80 holes drilled to correspond to the dimensions of Delphi Packard's various cable seals. Seals may be inserted into the block as loose piece or on mylar tape if desired. This Seal Insertion Block is designed for lower volume applications.



WEATHER-PACK 6060 GAUGE AS A PROCESS CONTROL AID:

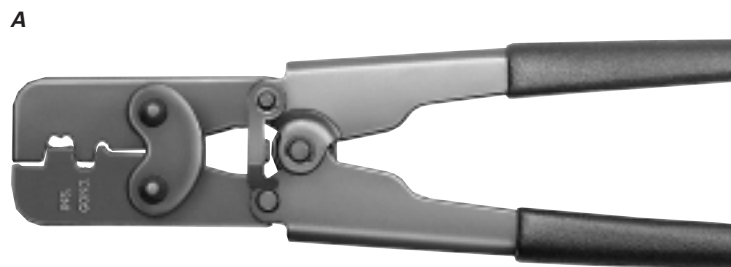
SPECIFICATIONS:

WEIGHT:	480g (1.05 lb.)
LENGTH:	102mm (4 inches)
WIDTH:	38mm (1-1/2 inches)
HEIGHT:	35mm (1-3/8 inches)

This gage is used as a process aid to verify that terminals are crimped and mated properly.



A PART NO: 12040070
 APPLICATION: Unsealed Doubles
 Core and Insulation
 CABLE RANGE (mm²): 2.0-0.50



B PART NO: 06285847
 APPLICATION: Unsealed All Purpose
 Core and Insulation
 CABLE RANGE (mm²): 2.0-0.50 (5.0-3.0 Core Only)



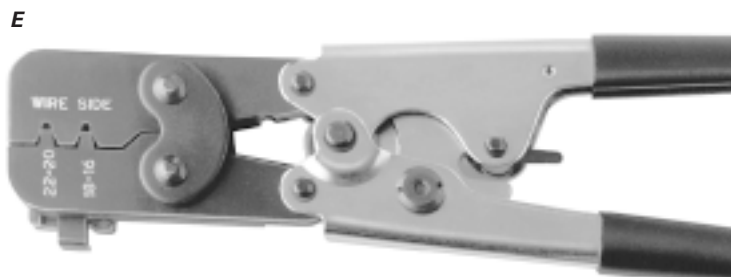
C PART NO: 12018777
 APPLICATION: Unsealed All Purpose
 Core and Insulation
 CABLE RANGE (mm²): 0.35



D PART NO: 12014254
 APPLICATION: Sealed Weather Pack Pin and Sleeve
 Core and Insulation
 CABLE RANGE (mm²): 2.0-0.50



E PART NO: 12039500
 APPLICATION: Unsealed 150 Metri-Pack, 150.1 and 150.2
 Pull-To-Seat
 Core and Insulation
 CABLE RANGE (mm²): 1.0-0.35



A PART NO: 12070948
APPLICATION: Unsealed Micro-Pack 100, Female only
Core and Insulation
CABLE RANGE (mm²): 2.0-0.35



B PART NO: 12070947
APPLICATION: Unsealed Metri-Pack, Female only
Core and Insulation
CABLE RANGE (mm²): 5.0-3.0



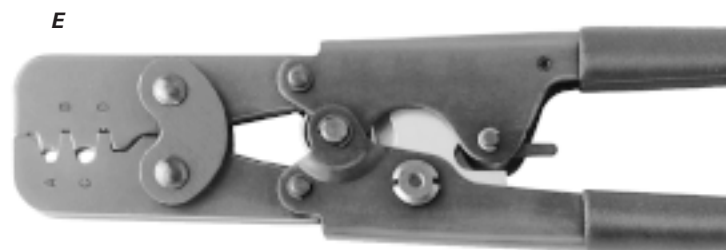
C PART NO: 12071687
APPLICATION: Sealed 480 & 630 Metri-Pack
Core and Insulation
CABLE RANGE (mm²): 5.0-3.0



D PART NO: 12125080
APPLICATION: Micro-Pack 100W
Core and Insulation
CABLE RANGE (mm²): 0.80-0.35



E PART NO: 12155975
APPLICATION: Sealed 150 & 280 Metri-Pack
Core and Insulation
CABLE RANGE (mm²): 2.0-0.50



SECTION NOTES:

- Hand crimp tools are designed for repair, prototype or low volume usage.
- Solder with resin core solder to guarantee crimp integrity.

A PART NO: 12014012
APPLICATION: Weather-Pack Male and Female
HANDLE COLOR: Clear Yellow
BUTTON COLOR: White



B PART NO: 12031876
APPLICATION: Micro-Pack 100 Female
HANDLE COLOR: Red
BUTTON COLOR: Black



C PART NO: 12094429
APPLICATION: GT 150; GT 280; 150 Metri-Pack; 280 Metri-Pack; 280 Tangless & 280 Bus Bar; 630 Pull-To-Seat; Lamp Socket Bases, B-1 & W-3; 800 Metri-Pack Female
HANDLE COLOR: Green
BUTTON COLOR: White



D PART NO: 12094430
APPLICATION: 56 Series; 280 Metri-Pack; 480 Metri-Pack; 630 Metri-Pack; 800 Metri-Pack Male Tangless; Lamp Socket Bases, W-2 & C-2
HANDLE COLOR: Blue
BUTTON COLOR: White



E PART NO: 12122523
APPLICATION: Micro-Pack 100W; 24Way Female 12129225; 32Way Female 12129025 and 12160423; 36Way Female 12110487
HANDLE COLOR: Gray
BUTTON COLOR: Black



F PART NO: 12150860
APPLICATION: 800 Maxi-Fuse Female
HANDLE COLOR: Blue
BUTTON COLOR: Blue





A PART NO: 12151195
APPLICATION: 280 Metri-Pack 2Way Bus Bar
HANDLE COLOR: Clear
BUTTON COLOR: Black



B PART NO: 12151194
APPLICATION: 280 Metri-Pack 3Way Bus Bar
HANDLE COLOR: Clear
BUTTON COLOR: Red



C PART NO: 12151193
APPLICATION: 280 Metri-Pack 4Way Bus Bar
HANDLE COLOR: Clear
BUTTON COLOR: Blue



D PART NO: 12152395
APPLICATION: 280 Metri-Pack 5Way Bus Bar
HANDLE COLOR: Clear
BUTTON COLOR: Green (Flat)



A PART NO: **10739582**
APPLICATION: Ducon 0.8
HANDLE COLOR: Black



B PART NO: **10739605**
APPLICATION: Ducon 1.5 and 2.8 One Tang
HANDLE COLOR: Black



C PART NO: **10739583**
APPLICATION: Ducon 1.5 Two Tang
HANDLE COLOR: Black



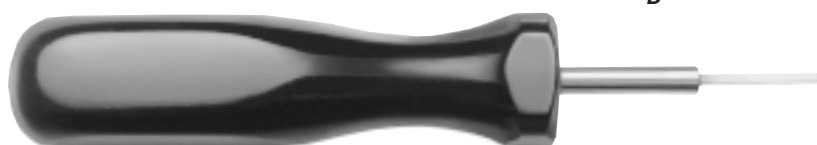
D PART NO: **10739584**
APPLICATION: Ducon 2.8 Two Tang
HANDLE COLOR: Black





A

A PART NO: **10739585**
APPLICATION: Ducon 4.8 and 6.3
HANDLE COLOR: Black



B

B PART NO: **10714774**
APPLICATION: VF 2.8
HANDLE COLOR: Black



C

C PART NO: **10714792**
APPLICATION: VF 6.3
HANDLE COLOR: Black



A PART NO: **12122727**
 APPLICATION: Cavity Plug Insertion Tool
 150 Metri-Pack Series
 HANDLE COLOR: Clear
 BUTTON COLOR: Green



B PART NO: **12121897**
 APPLICATION: Cavity Plug Insertion Tool
 280 Metri-Pack Series
 HANDLE COLOR: Yellow
 BUTTON COLOR: Blue



C PART NO: **12123162**
 APPLICATION: Cavity Plug Insertion Tool
 480 Metri-Pack Series
 HANDLE COLOR: Yellow
 BUTTON COLOR: Green



D PART NO: **12122584**
 APPLICATION: Cavity Plug Insertion Tool
 630 Metri-Pack Series
 HANDLE COLOR: Clear
 BUTTON COLOR: Red

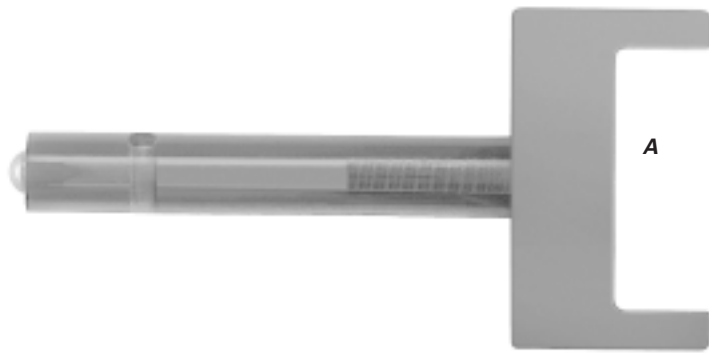


E PART NO: **12150547**
 APPLICATION: Cavity Plug Removal Tool
 630 Metri-Pack Series
 HANDLE COLOR: Blue
 BUTTON COLOR: Green



F PART NO: **12075402**
 APPLICATION: Lamp Socket Insert Removal Tool
 for W-3 Right Angle Wedge Base





A

A PART NO: 12180082
APPLICATION: Retainer Removal Tool for 100W Connector 24Way 12129225
HANDLE COLOR: Blue
BUTTON COLOR: Red



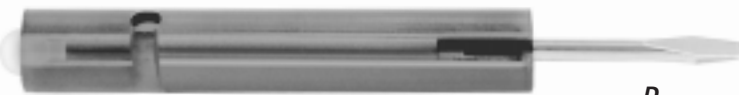
B

B PART NO: 12152019
APPLICATION: Retainer Removal Tool for 100W Connector 32Way 12129025
HANDLE COLOR: Gray
BUTTON COLOR: Black



C

C PART NO: 15313892
APPLICATION: GT Male Terminal Stabilizer Removal Tool
HANDLE COLOR: Blue
BUTTON COLOR: White



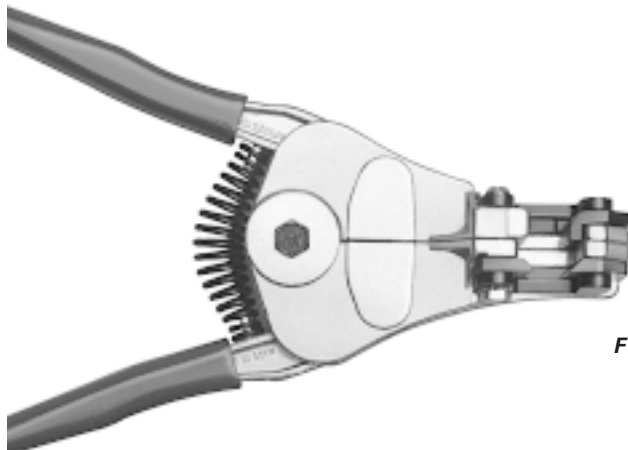
D

D PART NO: 12094441
APPLICATION: All Purpose Large Secondary Lock/TPA Removal Tool
HANDLE COLOR: Red
BUTTON COLOR: White



E

E PART NO: 12122647
APPLICATION: All Purpose Small Secondary Lock/TPA Removal Tool
HANDLE COLOR: Red
BUTTON COLOR: Red



F

F PART NO: 12018256
APPLICATION: Wire Insulation Stripper
HANDLE COLOR: Blue
CABLE RANGE (mm²): 8.0-0.35



TERMINAL/CRIMP APPLICATOR CROSS REFERENCE

Part Number	After Termination Part Number	Terminal Description	Speed-O-Matic Die Part Number	E-Z Pack Die Available
12015858		280 Metri-Pack Series - Unsealed	12018253	yes
12015860		480 Metri-Pack Series - Unsealed	12018253	yes
12015864		630 Metri-Pack Series for Relay application - Unsealed	12018253	yes
12015865		630 Metri-Pack Series for Relay application - Unsealed	12018253	yes
12015869		630 Metri-Pack Series - Unsealed	12018253	yes
12015870		630 Metri-Pack Series - Unsealed	12018253	yes
12020035		630 Metri-Pack Series - Unsealed	12018253	yes
12020116		280 Metri-Pack Series - Unsealed	12018253	yes
12020119		480 Metri-Pack Series - Unsealed	12018253	yes
12020120		480 Metri-Pack Series - Unsealed	12018253	yes
12020125		630 Metri-Pack Series - Unsealed	12018253	yes
12020126		630 Metri-Pack Series - Unsealed	12018253	yes
12020156		630 Metri-Pack Series - Pull-To-Seat - Sealed	12018253	yes
12020335		630 Metri-Pack Series - Unsealed	12018253	yes
12020365		630 Metri-Pack Series - Unsealed	12018253	yes
12020366		480 Metri-Pack Series - Unsealed	12018253	yes
12020782		280 Metri-Pack Series - Unsealed	12018253	yes
12020784		480 Metri-Pack Series - Unsealed	12018253	no
12020801		Weather-Pack Series - Sealed	12012249	yes
12033820		480 Metri-Pack Series - Unsealed	12018253	yes
12033972		630 Metri-Pack Series - Unsealed	12018253	no
12033997		630 Metri-Pack Series - Pull-To-Seat - Sealed	12018253	yes
12034046		280 Metri-Pack Series - Unsealed	12018253	yes
12034047		280 Metri-Pack Series - Unsealed	12018253	yes
12040902		100 Micro-Pack Series - Unsealed	12039723	no
12045773		150 Metri-Pack Series - Sealed	12012249	yes
12047581		150 Metri-Pack Series - Unsealed	12018951	yes
12047767		150 Metri-Pack Series - Unsealed	12018951	yes
12048074		150 Metri-Pack Series - Sealed	12012249	yes
12048159		280 Metri-Pack Series - Sealed	12012249	yes
12048254		280 Metri-Pack Series - Sealed	12012249	yes
12048450		480 Metri-Pack Series - Unsealed	12039880	no
12048451		480 Metri-Pack Series - Unsealed	12039880	no
12052139		480 Metri-Pack Series - Unsealed	12039880	no
12052172		480 Metri-Pack Series - Unsealed	12039969	no
12052217		280 Metri-Pack Series - Unsealed	12018253	yes
12052219		480 Metri-Pack Series - Unsealed	12018253	yes
12052221		480 Metri-Pack Series - Unsealed	12018253	yes
12052222		630 Metri-Pack Series - Unsealed	12018253	yes
12052224		630 Metri-Pack Series - Unsealed	12018253	yes
12052225		630 Metri-Pack Series for Relay application - Unsealed	12018253	yes
12052227		630 Metri-Pack Series for Relay application - Unsealed	12018253	yes
12052455		630 Metri-Pack Series - Sealed	12039880	no
12052456		630 Metri-Pack Series - Sealed	12039880	no
12052457		630 Metri-Pack Series - Sealed	12039880	no
12052826		630 Metri-Pack Series - Unsealed	12018253	yes
12052827		480 Metri-Pack Series - Unsealed	12018253	yes
12059894		150 Metri-Pack Series - Unsealed	12018951	yes
12064734		630 Metri-Pack Series - Sealed	12039969	no
12064735		630 Metri-Pack Series - Sealed	12039969	no
12064736		630 Metri-Pack Series - Sealed	12039969	no
12064737		630 Metri-Pack Series - Sealed	12039969	no
12064971		150 Metri-Pack Series - Unsealed	12018951	yes
12065196		480 Metri-Pack Series - Unsealed	12039969	no
12065197		480 Metri-Pack Series - Unsealed	12039969	no
12065892		480 Metri-Pack Series for Relay application - Unsealed	12040128	yes
12065893		480 Metri-Pack Series for Relay application - Unsealed	12040128	yes
12065894		480 Metri-Pack Series for Relay application - Unsealed	12040128	yes
12065915		800 Maxi-Fuse - Unsealed	12071239	yes

<http://delphi.com/products/connect>

TERMINAL/CRIMP APPLICATOR CROSS REFERENCE

Part Number	After Termination Part Number	Terminal Description	Speed-O-Matic Die Part Number	E-Z Pack Die Available
12065916		800 Maxi-Fuse - Unsealed	12071239	yes
12065918		800 Maxi-Fuse - Unsealed	12071239	yes
12066214		280 Metri-Pack Series - Unsealed	12018253	yes
12066269		480 Metri-Pack Series - Unsealed	12018253	yes
12066271		280 Metri-Pack Series - Unsealed	12018253	yes
12066454		630 Metri-Pack Series - Unsealed	12018253	yes
12066493		630 Metri-Pack Series - Unsealed	12018253	yes
12066614		630 Metri-Pack Series - Pull-To-Seat - Sealed	12018253	yes
12066638		W2-W3 Lamp Socket Series - Sealed	12012249	yes
12066639		W2-W3 Lamp Socket Series - Sealed	12012249	yes
12077411		280 Metri-Pack Series - Sealed	12012249	yes
12077413		280 Metri-Pack Series - Sealed	12012249	yes
12077628		150 Metri-Pack Series - Sealed	12012249	yes
12077939		280 Metri-Pack Series - Pull-To-Seat - Sealed	12018951	yes
12084200		150 Metri-Pack Series - Sealed	12012249	yes
12084201		280 Metri-Pack Series - Sealed	12012249	yes
12084449		100 Micro-Pack Series - Unsealed	12039723	no
12084586		280 Metri-Pack Series - Unsealed	12018253	yes
12084588		630 Metri-Pack Series for Relay application - Unsealed	12018253	yes
12084590		630 Metri-Pack Series - Unsealed	12018253	yes
12084595		480 Metri-Pack Series - Unsealed	12018253	yes
12084596		630 Metri-Pack Series - Unsealed	12018253	yes
12084912		100W Micro-Pack Series - Sealed	12040128	yes
12084913		100W Micro-Pack Series - Sealed	12040128	yes
12089040		Weather-Pack Series - Sealed	12012249	yes
12089188		Weather-Pack Series - Sealed	12012249	yes
12089236		480 Metri-Pack Series for Relay application - Unsealed	12040128	yes
12089307		Weather-Pack Series - Sealed	12012249	yes
12092444		800 Maxi-Fuse - Unsealed	12071239	yes
12092445		800 Maxi-Fuse - Unsealed	12071239	no
12103360		280 Metri-Pack Series - Pull-To-Seat - Sealed	12018951	yes
12103501		Ring - Unsealed	06286013	no
12103502		Ring - Unsealed	06286013	no
12103503		Ring - Unsealed	06286013	no
12103504		Ring - Unsealed	06286013	no
12103505		Ring - Unsealed	06286013	no
12103506		Ring - Unsealed	06286013	no
12103507		Ring - Unsealed	06286013	no
12103508		Ring - Unsealed	06286013	no
12103509		Ring - Unsealed	06286013	no
12103510		Ring - Unsealed	06286013	no
12103511		Ring - Unsealed	06286013	no
12103512		Ring - Unsealed	08910204	no
12103513		Ring - Unsealed	08910204	no
12103514		Ring - Unsealed	08910162	no
12103515		Ring - Unsealed	08910162	no
12103516		Ring - Unsealed	08910162	no
12103517		Ring - Unsealed	06292518	no
12103518		Ring - Unsealed	06292518	no
12103519		Ring - Unsealed	06292518	no
12103520		Ring - Unsealed	06292518	no
12103948		480 Metri-Pack Series for Relay application - Unsealed	12040128	yes
12103965		Ring - Unsealed	06286013	no
12110127		800 Maxi-Fuse - Unsealed	12071239	yes
12110128		800 Maxi-Fuse - Unsealed	12071239	yes
12110644	12110648	280 Metri-Pack Series - 1 way Bus Bar - Tangless - Unsealed	12118476	no
12110645	12110649	280 Metri-Pack Series - 1 way Bus Bar - Tangless - Unsealed	12118476	no
12110645	12110650	280 Metri-Pack Series - 2 way Bus Bar - Tangless - Unsealed	12118477	no
12110645	12110651	280 Metri-Pack Series - 3 way Bus Bar - Tangless - Unsealed	12118477	no
12110646	12110652	280 Metri-Pack Series - 1 way Bus Bar - Tangless - Unsealed	12118476	no

<http://delphi.com/products/connect>

TERMINAL/CRIMP APPLICATOR CROSS REFERENCE

Part Number	After Termination Part Number	Terminal Description	Speed-O-Matic Die Part Number	E-Z Pack Die Available
12110646	12110653	280 Metri-Pack Series - 2 way Bus Bar - Tangless - Unsealed	12118477	no
12110646	12110654	280 Metri-Pack Series - 3 way Bus Bar - Tangless - Unsealed	12118477	no
12110646	12110655	280 Metri-Pack Series - 4 way Bus Bar - Tangless - Unsealed	12118477	no
12110646	12110656	280 Metri-Pack Series - 5 way Bus Bar - Tangless - Unsealed	12118477	no
12110647	12110657	280 Metri-Pack Series - 1 way Bus Bar - Tangless - Unsealed	12118476	no
12110647	12110658	280 Metri-Pack Series - 2 way Bus Bar - Tangless - Unsealed	12118477	no
12110647	12110659	280 Metri-Pack Series - 3 way Bus Bar - Tangless - Unsealed	12118477	no
12110647	12110660	280 Metri-Pack Series - 4 way Bus Bar - Tangless - Unsealed	12118477	no
12110647	12110661	280 Metri-Pack Series - 5 way Bus Bar - Tangless - Unsealed	12118477	no
12110662	12110663	280 Metri-Pack Series - 1 way Bus Bar - Tangless - Unsealed	12118476	no
12110664	12110665	280 Metri-Pack Series - 1 way Bus Bar - Tangless - Unsealed	12118476	no
12110685	12110686	280 Metri-Pack Series - 1 way Bus Bar - Tangless - Unsealed	12118476	no
12110700		800 Maxi-Fuse - Unsealed	12071239	no
12110708	12110711	280 Metri-Pack Series - 2 way Bus Bar - Unsealed	12118477	no
12110708	12110712	280 Metri-Pack Series - 3 way Bus Bar - Unsealed	12118477	no
12110709	12110713	280 Metri-Pack Series - 2 way Bus Bar - Unsealed	12118477	no
12110709	12110714	280 Metri-Pack Series - 3 way Bus Bar - Unsealed	12118477	no
12110709	12110715	280 Metri-Pack Series - 4 way Bus Bar - Unsealed	12118477	no
12110709	12110716	280 Metri-Pack Series - 5 way Bus Bar - Unsealed	12118477	no
12110710	12110717	280 Metri-Pack Series - 2 way Bus Bar - Unsealed	12118477	no
12110710	12110718	280 Metri-Pack Series - 3 way Bus Bar - Unsealed	12118477	no
12110710	12110719	280 Metri-Pack Series - 4 way Bus Bar - Unsealed	12118477	no
12110710	12110720	280 Metri-Pack Series - 5 way Bus Bar - Unsealed	12118477	no
12110842		280 Metri-Pack Series - Tangless - Unsealed	12018253	yes
12110843		280 Metri-Pack Series - Tangless - Unsealed	12018253	yes
12110844		280 Metri-Pack Series - Tangless - Unsealed	12018253	yes
12110845		280 Metri-Pack Series - Tangless - Sealed	12012249	yes
12110846		280 Metri-Pack Series - Tangless - Sealed	12012249	yes
12110847		280 Metri-Pack Series - Tangless - Sealed	12012249	yes
12110853		280 Metri-Pack Series - Tangless - Sealed	12012249	yes
12124075		150.2 Metri-Pack Series - Pull-To-Seat - Sealed	12040128	yes
12124076		150.2 Metri-Pack Series - Pull-To-Seat - Sealed	12040128	yes
12124304		480 Metri-Pack Series - Unsealed	12018253	yes
12124471		W-2 Lamp Socket Series - Sealed	12071239	yes
12124512		56 Series - Unsealed	12018253	yes
12124513		56 Series - Unsealed	12018253	yes
12124515		56 Series - Unsealed	12018253	yes
12124517		56 Series - Unsealed	12018253	yes
12124518		56 Series - Unsealed	12018253	yes
12124519		56 Series - Unsealed	12018253	yes
12124520		56 Series - Unsealed	12018253	yes
12124522		56 Series - Unsealed	12018253	yes
12124523		56 Series - Unsealed	12018253	yes
12124559		630 Metri-Pack Series for Relay application - Unsealed	12018253	yes
12124580		Weather-Pack Series - Sealed	12012249	yes
12124581		Weather-Pack Series - Sealed	12012249	yes
12124582		Weather-Pack Series - Sealed	12012249	yes
12124587		Weather-Pack Series - Sealed	12012249	yes
12124598		W-2 Lamp Socket Series - Sealed	none	yes
12124977		280 Metri-Pack Series - Sealed	12012249	no
12129052		B1-C2 Lamp Socket Series - Sealed	12118726	no
12129053		B1-C2 Lamp Socket Series - Sealed	12012249	yes
12129061		280 Metri-Pack Series - Tangless - Unsealed	12018253	yes
12129373		150 Metri-Pack Series - Tangless - Unsealed	12018951	yes
12129409		280 Metri-Pack Series - Tangless - Sealed	12012249	yes
12129424		280 Metri-Pack Series - Tangless - Unsealed	12018253	yes
12129425		280 Metri-Pack Series - Tangless - Unsealed	12018253	yes
12129484		150 Metri-Pack Series - Tangless - Unsealed	12018951	no
12129493		280 Metri-Pack Series - Sealed	12012249	yes

<http://delphi.com/products/connect>

TERMINAL/CRIMP APPLICATOR CROSS REFERENCE

Part Number	After Termination Part Number	Terminal Description	Speed-O-Matic Die Part Number	E-Z Pack Die Available
12129494		280 Metri-Pack Series - Unsealed	12018253	yes
12129497		280 Metri-Pack Series - Sealed	12012249	yes
12129498		280 Metri-Pack Series - Unsealed	12018253	yes
12129663		280 Metri-Pack Series - Tangless - Unsealed	12018253	yes
12146447		100 Micro-Pack Series - Unsealed	12018951	no
12146448		100 Micro-Pack Series - Unsealed	12018951	no
12160222		150 Metri-Pack Series - Sealed	12012249	yes
12160223		150 Metri-Pack Series - Sealed	12012249	yes
12160635	12160643	280 Metri-Pack Series - 1 way Bus Bar - Unsealed	12095585	no
12160635	12160648	280 Metri-Pack Series - 2 way Bus Bar - Unsealed	12014021	no
12160635	12160652	280 Metri-Pack Series - 3 way Bus Bar - Unsealed	12014021	no
12160635	12160657	280 Metri-Pack Series - 4 way Bus Bar - Unsealed	12014021	no
12160635	12160660	280 Metri-Pack Series - 5 way Bus Bar - Unsealed	12014021	no
12160635	12160662	280 Metri-Pack Series - 6 way Bus Bar - Unsealed	12014021	no
12160636	12160644	280 Metri-Pack Series - 1 way Bus Bar - Unsealed	12095585	no
12160636	12160649	280 Metri-Pack Series - 2 way Bus Bar - Unsealed	12014021	no
12160636	12160653	280 Metri-Pack Series - 3 way Bus Bar - Unsealed	12014021	no
12160636	12160658	280 Metri-Pack Series - 4 way Bus Bar - Unsealed	12014021	no
12160636	12160661	280 Metri-Pack Series - 5 way Bus Bar - Unsealed	12014021	no
12160637	12160645	280 Metri-Pack Series - 1 way Bus Bar - Unsealed	12095585	no
12160637	12160650	280 Metri-Pack Series - 2 way Bus Bar - Unsealed	12014021	no
12160637	12160654	280 Metri-Pack Series - 3 way Bus Bar - Unsealed	12014021	no
12160638	12160646	280 Metri-Pack Series - 1 way Bus Bar - Unsealed	12095585	no
12160638	12160655	280 Metri-Pack Series - 3 way Bus Bar - Unsealed	12014021	no
12160640	12160663	280 Metri-Pack Series - 1 way Bus Bar - Unsealed	12095585	no
12160640	12160664	280 Metri-Pack Series - 3 way Bus Bar - Unsealed	12014021	no
12160641	12160665	280 Metri-Pack Series - 1 way Bus Bar - Unsealed	12095585	no
12160641	12160666	280 Metri-Pack Series - 2 way Bus Bar - Unsealed	12014021	no
12160642	12160667	280 Metri-Pack Series - 1 way Bus Bar - Unsealed	12095585	no
12161184		150.2 Metri-Pack - Pull-To-Seat - Sealed	12040128	yes
12162098		Ring - Unsealed	06286013	no
12162099		Ring - Unsealed	06286013	no
12162100		Ring - Unsealed	06286013	no
12162595		280 Metri-Pack Series - Unsealed	12018253	yes
12162596		280 Metri-Pack Series - Unsealed	12018253	yes
12162597		280 Metri-Pack Series - Unsealed	12018253	yes
12186320		W2-W3 Lamp Socket Series - Sealed	12012249	yes
12191811		GT 150 - Unsealed	none	yes
12191812		GT 150 - Unsealed	none	yes
12191818		GT 150 - Sealed	none	yes
12191819		GT 150 - Sealed	none	yes
15304621		B1-C2 Lamp Socket Series - Sealed	12012249	yes
15304622		B1-C2 Lamp Socket Series - Sealed	12118726	no
15304701		GT 150 - Unsealed	12040128	yes
15304702		GT 150 - Unsealed	12040128	yes
15304706		GT 150 - Sealed	12012249	yes
15304707		GT 150 - Sealed	12012249	yes
15304710		GT 280 - Unsealed	12040128	yes
15304711		GT 280 - Unsealed	12040128	yes
15304712		GT 280 - Unsealed	12040128	yes
15304715		GT 280 - Sealed	12012249	yes
15304716		GT 280 - Sealed	12012249	yes
15304717		GT 280 - Sealed	12012249	yes
15304722		GT 280 - Unsealed	12040128	yes
15304723		GT 280 - Unsealed	12040128	yes
15304724		GT 280 - Unsealed	12040128	yes
15304727		GT 280 - Sealed	12012249	yes
15304728		GT 280 - Sealed	12012249	yes
15304729		GT 280 - Sealed	12012249	yes



<http://delphi.com/products/connect>



ABBREVIATIONS

ABS Acrylonitrile Butadiene Styrene	ISO ... International Standards Organization	PA66 Polyamide 66
amps Amperes	JIS Japanese Industry Standard	PBT .. Polybutylene Terephthalate (Polyester)
App Application	L Length	P/C Printed Circuit
°C Degrees Centigrade	LT Left	PC Polycarbonate
cm Centimeter	Lt Light	PEI Polyetherimide
CPA Connector Position Assurance	M Male	PET Polyethylene Terephthalate Polyester
dc Direct Current	Max Maximum	PLR Primary Lock Reinforcement
DIN Deutsche Industry Norm (Standard)	Md Medium	PP Polypropylene
Dk Dark	Min Minimum	PPE Polyphenylene Ether
DS Double Sping	mm Millimeter	PVC Polyvinyl Chloride
EPDM .. Ethylene Propylene Diene Monomer	MF Mineral Filled	Ref Reference
EMS Engine Management Systems	M/P Metri-Pack	RT Right
°F Degrees Fahrenheit	mV Millivolt	SAE Society of Automotive Engineers
F Female	mV/amp Millivolt per amp	SST Stainless Steel
GB Glass Bead	mW Milliwatts	TF Talc Filled
GF Glass Fiber	Nm Newtons Meter	TEEE Hytel
g Grams	No. Number	Temp Temperature
GT Global Terminal	NPTF National Pipe Thread Fine	TEO 45A .. Thermoplastic Polyester Olefinic
H Height	NTC Negative Temperature Coefficient	TPA Terminal Position Assurance
HS Heat Stabilized	OBD On Board Diagnostics	V Volt
HVAC .. Heating Ventilation Air Conditioning	O.D. Outside Diameter	W Width
IM Impact Modified	PA6 Polyamide 6	
I MLD Insert Molded	PA12 Polyamide 12	

DIN Cable Rated Cross Section

PRIMARY CABLE (mm ²)	BATTERY CABLE (mm ²)
0.22	10
0.35	16
0.5	25
0.75	35
1	50
1.5	70
2.5	95
4	120
6	

SAE Cable Rated Cross Section

BATTERY CABLE RANGE CONVERSION		PRIMARY CABLE RANGE CONVERSION	
Metric Size mm ²	SAE Gage	Metric Size mm ²	SAE Gage
13.0	6	0.22	24
19.0	4	0.35	22
32.0	2	0.50	20
40.0	1	0.80	18
50.0	0	1.00	16
62.0	2/0	2.00	14
		3.00	12
		5.00	10
		8.00	8

<http://delphi.com/products/connect>

Part Number Index



Part#	Page
2965019	315
2965977	316
2973385	315
2973407	314
2984017	316
2984959	315
6285847	328
8900863	314
8905563	318
8905790	315
8917444	310
10714774	333
10714792	333
10717452	318
10717456	313
10717650	80
10717689	217, 219
10717711	210, 211
10717812	276
10717815	206, 207, 208
10717816	284
10717826	210, 211
10717827	210, 211
10717837	224
10717849	224
10717927	216
10717928	220
10717964	216
10718038	276, 277
10718234	313
10718620	278
10718621	278
10719204	319
10719332	283
10719339	69, 71
10719968	283
10719976	279
10720007	318
10720017	278
10720018	278
10720098	283
10720611	313
10720613	313
10720615	313
10720617	313

Part#	Page
10720641	312
10720769	206, 216
10720844	212, 313
10720847	212, 313
10720851	252, 313
10720907	313
10720941	312
10720947	312
10720950	312
10720983	313
10724374	217
10724435	217
10724459	221
10727065	312
10727066	312
10728148	224
10730124	207, 217, 312
10730240	212, 313
10730241	212, 313
10730244	221, 224
10731090	312
10731091	312
10731103	313
10733034	313
10733035	313
10733145	313
10737670	312
10737671	312
10737704	313
10738785	212, 313
10738786	212, 313
10739582	332
10739583	332
10739584	332
10739585	333
10739605	332
10740396	217, 218
10740397	68
10740403	210, 211
10740404	210, 211
10740407	283
10740408	283
10740409	283
10740410	283
10740413	251

Part#	Page
10740483	276
10740484	276
10740485	276
10740486	277
10740487	277
12004188	310
12004189	310
12004267	314
12004327	316
12010293	84, 128, 148, 242, 252, 263
12010300	85, 128, 148, 243, 263, 313
12010852	247
12010973	243, 244
12010996	243, 244
12014012	330
12014254	328
12015024	243, 245
12015193	84, 128, 148, 242, 263
12015284	84, 128, 148, 229, 242, 252, 263
12015306	314
12015323	84, 128, 148, 229, 242, 252, 263
12015359	84, 128, 148, 242, 252, 263
12015360	84, 128, 148, 242, 252, 263
12015508	136, 140
12015509	137, 140
12015510	136, 137, 140
12015511	136, 137, 140
12015664	106, 109
12015791	242, 244
12015792	242, 244
12015798	242, 245
12015858	78, 122, 138, 160, 260
12015860	96, 122, 138
12015864	261
12015865	261
12015869	106, 122, 138, 262
12015870	106, 122, 138, 262
12015899	84, 128, 148, 229, 242, 252, 263
12015899	313
12015952	96, 98

Part#	Page
12015987	97, 98
12018256	335
12018777	328
12020005	243, 247
12020014	122, 124
12020035	106, 122, 138, 262
12020116	79, 123, 139
12020119	97, 123, 139
12020120	97, 123, 139
12020125	107, 139
12020126	107, 139
12020156	110, 263
12020365	107, 139
12020366	96, 122, 138
12020629	137, 140
12020720	228, 231
12020782	79, 123, 139
12020784	97, 123, 139
12020786	243, 246
12020801	242
12020807	86
12020827	243, 245
12020829	242, 245
12020830	243, 246
12020832	242, 246
12020833	68, 69, 70, 71, 74, 87, 88, 92, 102, 103, 104, 113, 129, 131, 245, 246
12020926	242, 246
12020991	242, 247
12031876	330
12033731	286
12033769	112, 286
12033820	97, 123, 139
12033871	282
12033872	259, 266, 282
12033972	107, 139
12033997	110, 263
12034003	282
12034046	78, 122, 138, 160, 260
12034047	79, 123, 139
12034061	103
12034074	244
12034145	87
12034170	100, 148

<http://delphi.com/products/connect>



Part#	Page
12034178	128
12034269	112
12034363	112
12034364	112
12034365	84, 128, 148, 229, 242, 252, 313
12034365	313
12034396	155, 158
12034398	154, 157, 158
12034400	154, 158
12034413	155, 263
12035365	263
12039500	328
12040070	328
12040780	158
12040902	165
12040903	165, 166
12040905	165, 167
12040921	154, 156, 157
12040923	155, 156
12040938	156
12040977	84, 87
12041301	91
12041351	84, 128, 148, 229, 242, 252, 313
12041352	84, 128, 148, 229, 242, 252, 263, 313
12045681	123, 124
12045688	57, 64
12045689	56, 64
12045690	64
12045699	110, 113
12045773	67, 127, 147
12045808	67, 71
12045889	170, 180, 181, 184
12045890	170, 180, 181, 184
12045897	131
12047531	164, 168, 170, 178
12047581	57, 139
12047662	56, 58, 297, 298, 302, 303, 304
12047663	57, 58
12047664	56, 58, 59, 60, 61, 297, 298, 302, 303, 304
12047665	58, 59

Part#	Page
12047682	56, 58
12047683	57, 58
12047751	136, 143
12047752	137, 143
12047767	56, 138, 297, 302
12047781	56, 59
12047782	57, 59
12047783	56, 59, 60
12047784	59, 60
12047785	56, 60
12047786	57, 60
12047787	60, 61
12047814	165, 168
12047815	166
12047829	165, 166
12047835	317
12047838	136, 137, 141
12047840	136, 141
12047841	136, 141
12047842	136, 141
12047843	136, 141
12047845	137, 141
12047846	137, 141
12047886	56, 64
12047900	170, 179, 182, 183, 184, 185, 186
12047901	170, 179, 182, 183, 184, 185, 186
12047931	67, 70
12047933	70
12047937	66, 70
12047938	70
12047948	66, 67, 69
12048074	66, 126, 146, 159
12048086	66, 128, 148, 159, 206, 216
12048087	66, 128, 148, 159, 206, 216
12048159	85, 147
12048254	85, 147
12048344	170, 177, 182, 185
12048345	170, 177, 182, 185
12048412	104
12048413	104
12048433	100, 128, 148, 216, 229, 313

Part#	Page
12048441	100, 128, 148, 216, 229, 313
12048442	100, 128, 148, 216, 313
12048443	100, 128, 148, 216
12048450	100, 126, 146
12048451	100, 126, 146
12048453	155, 156
12048455	154, 156
12048456	156
12052130	155, 157
12052131	157
12052139	100, 126, 146
12052172	101, 127, 147
12052189	71
12052199	127, 129
12052200	127, 129
12052217	78, 122, 138, 160, 260
12052219	96, 122, 138
12052221	96, 122, 138
12052222	106, 122, 138, 262
12052224	106, 122, 138, 262
12052225	261
12052227	261
12052287	131
12052290	131
12052386	110, 128, 148, 313
12052387	110, 128, 148
12052388	110, 128, 148
12052452	100, 128, 148, 216, 313
12052453	100, 128, 148, 216
12052455	110, 126, 146
12052456	110, 126, 146
12052457	110, 126, 146
12052480	70
12052486	126, 129
12052490	228, 232
12052600	70
12052613	100, 102
12052623	107, 109
12052634	66, 67, 68
12052641	66, 68
12052644	68
12052668	110, 128, 148
12052816	92

Part#	Page
12052826	107, 139
12052827	97, 123, 139
12052832	56, 59
12052833	57, 59
12052834	60, 61, 63, 64, 65, 74, 80, 81, 82, 83, 86, 89, 91, 92, 99, 103, 108, 118, 119, 130, 132, 162, 186, 282, 286, 287
12052845	66, 67, 68
12052848	66, 70
12052850	66, 67, 70
12052854	91
12052856	91, 162
12052898	75
12052924	66, 128, 148, 159
12052925	66, 128, 148, 159
12052930	100, 128, 148, 216, 229, 313
12052931	100, 128, 148, 216, 229, 313
12052978	316
12059160	164, 166, 170, 173, 175
12059168	47, 67, 128, 148, 159
12059168	312
12059195	92
12059249	58, 298, 303, 304
12059250	58
12059255	111, 128, 148, 213, 313
12059257	110, 128, 148, 313
12059258	110, 128, 148
12059259	110, 128, 148, 212, 313
12059260	110, 128, 148
12059296	103
12059297	103
12059426	286
12059450	85, 86
12059472	126, 129
12059573	92
12059735	137, 142
12059800	74
12059801	74
12059860	96, 99
12059894	57, 139

<http://delphi.com/products/connect>

Part Number Index



Part#	Page
12059897	100, 101, 102
12059915	171, 176
12059952	228, 232
12060424	188
12064734	111, 147
12064735	111, 147
12064736	111, 147
12064737	111, 147
12064749	96, 99
12064750	97, 99
12064751	97, 99
12064752	78, 82
12064753	78, 82
12064754	79, 82
12064755	79, 82
12064758	56, 60
12064759	57, 60
12064760	56, 61
12064761	57, 61
12064762	56, 63
12064763	57, 63
12064764	56, 63
12064765	63
12064766	56, 64
12064767	57, 64
12064768	56, 64
12064769	56, 65
12064770	57, 65
12064771	56, 65
12064798	171, 174
12064799	170, 174
12064822	170, 174
12064823	170, 174
12064834	145, 150
12064835	144, 150
12064837	145, 150
12064839	145, 150
12064860	74
12064861	74
12064862	74
12064863	74
12064971	56, 138, 297, 302
12064978	170, 176
12064980	164, 167, 170, 176
12064982	164, 166

Part#	Page
12064983	166
12064986	164, 167, 170, 175, 176
12064987	164, 166
12064989	166, 167, 168, 172, 173, 175, 176, 178
12064993	170, 172, 173
12064998	78, 83
12064999	78, 83
12065141	79, 83
12065171	85, 86
12065172	84, 86
12065196	101, 127, 147
12065197	101, 127, 147
12065249	85, 86
12065266	155, 263
12065279	85, 86
12065298	75
12065425	66, 71, 159
12065426	71
12065449	306
12065647	171, 173
12065685	287
12065686	287
12065703	100, 128, 148
12065705	137, 143
12065785	170, 178
12065848	145, 149
12065849	145, 149
12065850	144, 149
12065863	101, 102
12065870	171, 172
12065873	164, 167
12065874	165, 167
12065892	261
12065893	261
12065894	261
12065915	262
12065916	116, 262
12065918	262
12065930	262
12065943	164, 167
12066050	144, 149
12066082	101, 128, 148, 217
12066082	313
12066130	170, 175

Part#	Page
12066170	170, 172, 173, 176
12066176	75
12066189	164, 166, 170, 173, 175
12066195	79, 83
12066214	78, 122, 260, 263
12066269	97, 123, 139
12066271	79, 123, 139
12066304	66, 70
12066307	171, 175
12066317	20
12066454	107, 139
12066493	107, 139
12066505	110
12066571	103
12066572	103
12066590	145, 150
12066638	229
12066639	229
12066681	286
12070947	329
12070948	329
12071687	329
12075402	334
12077411	84, 126, 146
12077413	84, 126, 146
12077530	259, 264, 265, 266, 268, 269
12077532	259, 265, 272, 275
12077534	259, 270, 271
12077538	259, 265
12077563	259, 265
12077569	259, 265
12077571	259, 266
12077572	259, 266
12077574	259, 266
12077591	75
12077628	67, 127, 147
12077759	110, 128, 148, 229
12077760	110, 128, 148, 229
12077822	137, 141
12077899	174, 179, 180, 181, 182, 183, 184, 185, 186
12077904	92
12077939	84
12084126	253

Part#	Page
12084149	317
12084183	136, 141
12084185	306
12084193	66, 128, 148, 159
12084200	66, 126, 146, 159
12084201	84, 126, 146
12084449	165
12084554	306
12084561	318
12084586	79, 123, 139
12084588	261
12084590	106, 122, 138, 262
12084595	96, 122, 138
12084596	106, 122, 138
12084673	85, 88
12084791	274, 275
12084890	91
12084891	84, 88
12084910	259, 270
12084912	188
12084913	188
12084944	177
12084945	170, 177, 182, 185
12084948	177
12084949	177
12085030	286
12088187	229
12089040	243
12089045	306
12089137	229
12089139	229
12089236	261
12089240	306
12089263	306
12089290	154
12089307	243
12089442	206, 216
12089442	66, 128, 148, 159, 312
12089444	84, 128, 148, 229, 242, 252, 263
12089496	306
12089678	66, 128, 148, 159
12089679	84, 128, 148, 229, 242, 252, 263
12089852	171, 178

<http://delphi.com/products/connect>



Part#	Page
12092030	229
12092058	229
12092162	56, 61
12092163	57, 61
12092164	56, 61
12092220	259, 265
12092231	259, 265
12092254	91
12092320	189, 190
12092328	259, 270, 271
12092332	271
12092379	228, 231
12092399	116, 119
12092400	116, 119
12092401	116, 117, 119
12092444	116, 262
12092445	116, 262
12092491	144, 150
12092507	259, 264
12092605	287
12092669	271
12092741	259, 270, 271
12092748	272, 274
12092844	66, 67, 69
12092886	171, 179
12094429	330
12094430	330
12094441	335
12103010	308
12103014	308
12103086	306
12103172	286
12103360	84
12103406	193
12103501	307
12103502	262, 307
12103503	307
12103504	262, 307
12103505	307
12103506	262, 307
12103507	307
12103508	262, 307
12103509	307
12103510	307
12103511	262, 307

Part#	Page
12103512	262, 307
12103513	262, 307
12103514	262, 307
12103515	307
12103516	307
12103517	307
12103518	307
12103519	307
12103520	307
12103784	244
12103881	154
12103948	261
12103965	262
12103965	307
12103974	67, 69
12110041	259, 270, 271
12110043	259, 264
12110053	228, 233
12110054	228, 233
12110057	284
12110058	284
12110075	130
12110088	170, 179, 182, 185, 186
12110112	180
12110113	170, 180
12110114	180
12110115	180
12110127	116, 262
12110128	262
12110129	259, 265
12110179	93
12110206	170, 183, 184, 185, 186
12110207	170, 181, 184
12110209	171, 184
12110236	154
12110241	184
12110244	170, 183, 184, 185, 186
12110245	184
12110246	309
12110250	72
12110252	72
12110254	72
12110259	170, 177
12110261	171, 177

Part#	Page
12110290	317
12110293	66, 68
12110299	190, 191, 192
12110323	171, 181
12110403	188, 190
12110415	265
12110440	161, 162
12110446	292, 293
12110485	189, 192
12110487	188, 192
12110488	188, 192
12110489	188, 192
12110490	188, 192
12110517	317
12110539	286
12110540	286
12110541	282
12110542	282
12110594	259, 268
12110595	259, 268
12110602	259, 268
12110644	261
12110645	261
12110646	261
12110647	261
12110648	261
12110649	261
12110650	261
12110651	261
12110652	261
12110653	261
12110654	261
12110655	261
12110656	261
12110657	261
12110658	261
12110659	261
12110660	261
12110661	261
12110662	261
12110663	261
12110664	261
12110665	261
12110685	261
12110686	261

Part#	Page
12110698	117, 119
12110700	117
12110708	260
12110709	260
12110710	260
12110711	260
12110712	260
12110713	260
12110714	260
12110715	260
12110716	260
12110717	260
12110718	260
12110719	260
12110720	260
12110751	84, 89
12110753	85, 89
12110754	84, 85, 89
12110782	85, 90
12110783	317
12110822	90
12110842	78, 160, 236
12110843	78, 160, 236, 261
12110844	78, 160, 236, 261
12110845	84, 146, 193
12110846	84, 146, 193
12110847	84, 146
12110853	84, 146, 193, 263
12111456	80
12121897	334
12122523	330
12122584	334
12122647	335
12122727	334
12123162	334
12124075	66
12124076	66
12124107	67, 70
12124264	66, 67, 71, 159
12124276	308
12124295	308
12124296	308
12124297	308
12124304	96, 122, 138
12124471	229

Part Number Index



Part#	Page
12124512	314
12124513	314
12124515	314
12124517	314
12124518	314
12124519	314
12124520	314
12124522	314
12124523	314
12124559	261
12124580	242
12124581	242
12124582	243
12124587	243
12124598	229
12124634	92
12124669	66, 128, 148, 159
12124685	110, 113
12124686	111, 113
12124732	137, 143
12124811	91
12124819	84, 86
12124824	75
12124846	19, 20
12124898	131
12124977	85, 147
12125080	329
12129008	189, 191
12129021	191
12129022	191
12129023	188, 191
12129025	188, 191
12129026	188, 191
12129028	191
12129030	188, 191
12129051	228, 234
12129052	229
12129053	229
12129057	228, 234
12129061	78, 160, 236, 261
12129081	78, 80
12129082	80
12129083	78, 80
12129088	162
12129121	259, 270, 271

Part#	Page
12129124	132
12129135	79, 81
12129136	78, 81
12129137	79, 81
12129138	78, 81
12129140	93
12129142	93
12129155	79, 80
12129156	80
12129157	79, 80
12129183	188, 190
12129192	19, 20
12129206	144, 152
12129213	145, 152
12129214	144, 152
12129222	309
12129340	171, 180
12129341	180
12129342	180
12129369	180
12129373	56
12129409	84, 193, 263
12129424	78, 160, 261
12129425	78, 160, 261
12129433	309
12129435	309
12129437	309
12129484	56
12129487	92
12129489	78, 81
12129490	79, 81
12129491	78, 81
12129492	79, 81
12129493	84, 126, 138, 146, 160
12129494	78, 122, 138, 160, 260
12129497	85, 147
12129498	79, 123, 139
12129565	84, 88
12129596	292, 294
12129598	308
12129600	85, 88
12129613	89
12129614	89
12129615	67, 68

Part#	Page
12129628	309
12129651	309
12129663	78, 160, 261
12129669	144, 151
12129670	145, 151
12129672	145, 151
12129691	302, 304
12129715	282
12129716	286
12129811	190
12129822	306
12129833	272, 273
12129834	272, 273
12129835	272, 273
12129836	272, 273
12129837	272, 273
12129842	130
12129858	190
12129909	228, 230, 234
12129938	107, 108
12129939	106, 108
12129940	106, 108
12131283	62
12131285	62
12131317	283
12131358	63
12131359	284
12131361	62
12131370	63
12131372	62
12131423	198, 220
12131448	263
12131455	263
12131456	263
12131543	102
12131592	102
12143692	73
12143693	73
12143694	73
12146045	66, 69
12146104	286
12146281	272, 275
12146283	272, 275
12146284	272, 275
12146286	272, 275

Part#	Page
12146312	299, 300
12146341	275
12146360	308
12146361	308
12146362	308
12146363	308
12146364	308
12146365	308
12146366	308
12146398	228, 233
12146401	309
12146418	228, 233
12146419	228, 233
12146425	308
12146429	308
12146447	164, 170
12146448	164, 170
12146471	309
12146487	309
12146506	309
12146564	262
12146579	309
12146713	308
12146718	310
12146724	161, 162
12146735	162
12146736	309
12146744	308
12146745	308
12146805	272, 275
12146815	259, 269
12146816	259, 269
12146817	259, 269
12146830	292, 294
12146835	259, 267
12146836	259, 267
12146840	89
12146841	89
12146897	299, 301
12146911	299, 301
12146933	72
12146947	259, 264
12146993	189, 193
12146999	309
12147054	62

<http://delphi.com/products/connect>



Part#	Page
12147055	62
12147060	212, 213, 214
12147066	221, 222, 223
12147067	212, 214
12147079	284
12147098	210, 211
12147099	210, 211
12147161	220, 222
12147299	203, 221
12147300	203, 221
12147301	221
12147302	202, 220
12147303	202, 220
12147400	221
12147451	220
12147451	220
12147473	212
12147474	212
12147496	251
12147497	251
12147500	251
12147502	80, 82
12147503	80
12147517	80, 82
12147596	210
12147597	210
12147771	80, 82
12147875	319
12150547	334
12150860	330
12151193	331
12151194	331
12151195	331
12152019	335
12152395	331
12152856	160
12155975	329
12157735	248
12157736	248
12157739	252
12157740	252
12157764	263
12158095	216, 219
12158096	216, 217, 219
12158097	216

Part#	Page
12158098	206, 216
12158100	284
12158104	217
12158456	252, 253
12158457	252, 253
12160222	66, 126, 146, 159
12160223	66, 126, 146, 159
12160229	309
12160231	308
12160232	309
12160233	309
12160242	309
12160244	292, 295
12160245	292, 295
12160246	292, 296
12160277	272
12160281	309
12160386	228, 234
12160390	228, 234
12160392	228, 234
12160393	228, 230
12160394	228, 230
12160395	228, 230
12160418	188, 193
12160419	188, 193
12160420	193
12160423	188, 193
12160424	193
12160425	188, 193
12160426	188, 193
12160427	193
12160437	72
12160443	309
12160446	159
12160504	259, 268
12160541	259, 268
12160635	260
12160636	260
12160637	260
12160638	260
12160640	260
12160641	260
12160642	260
12160643	260
12160644	260

Part#	Page
12160645	260
12160646	260
12160648	260
12160649	260
12160650	260
12160652	260
12160653	260
12160654	260
12160655	260
12160657	260
12160658	260
12160660	260
12160661	260
12160662	260
12160663	260
12160664	260
12160665	260
12160666	260
12160667	260
12160674	269
12160677	272, 274
12160678	272, 274
12160679	272, 274
12160759	275
12160765	272, 275
12160777	184
12160778	184, 185
12160779	184
12160829	265
12160848	188, 190
12160855	302, 303
12160861	171, 185
12160893	116, 118
12160894	117, 118
12160895	116, 117, 118
12160897	259, 266, 268
12160906	272, 273
12160947	297, 298
12160959	145, 149
12161104	193
12161119	309
12161133	309
12161170	309
12161184	66
12161185	90

Part#	Page
12161186	84, 90
12161187	85, 90
12161191	145, 151
12162000	67, 68
12162017	75
12162067	100, 128, 148
12162068	100, 128, 148
12162098	307
12162099	307
12162100	307
12162102	67, 69
12162144	66, 69
12162182	19, 20, 76
12162183	19, 20
12162184	19, 20
12162185	19, 20, 76
12162186	19
12162188	19, 20, 76
12162189	19, 20, 76
12162190	19, 20, 76
12162191	19, 20, 76
12162193	19, 20, 76
12162194	19, 20, 76
12162195	19, 20, 76
12162197	21, 76
12162198	21, 76
12162199	21, 76
12162204	19
12162206	19
12162208	19
12162210	20, 76
12162215	19, 76
12162216	19, 76
12162217	19, 76
12162218	19, 76
12162222	232
12162223	228, 232
12162229	130
12162260	20, 76
12162261	20, 76
12162262	20
12162278	21
12162279	21, 76
12162280	21, 76
12162286	20

Part Number Index



Part#	Page
12162298	91
12162299	130
12162300	130
12162301	130
12162343	68
12162365	272, 275
12162412	137, 140
12162413	137, 140
12162463	136, 143
12162512	103
12162527	145, 152
12162573	145, 152
12162595	78, 122, 138, 160
12162596	78, 122, 138, 160
12162597	78, 122, 138, 160
12162825	20
12162826	20
12162827	20
12162833	21
12162834	21
12162932	306
12162998	283
12176387	84, 146
12176388	84, 146
12176389	84, 146
12176460	236, 237
12176462	236, 237
12176469	236, 237
12176473	236, 237
12176475	236, 237
12176478	236, 237
12176513	236, 238
12176538	145, 149
12176593	309
12176640	90
12176690	145, 152
12176852	229
12176853	229
12176865	84, 90
12177037	272, 274
12177145	259, 264
12177161	228, 230
12177163	228, 230
12177296	310
12177297	310

Part#	Page
12177298	310
12177299	310
12180082	335
12184934	203, 205
12184935	203, 205
12184963	203, 204
12185000	206, 207, 208
12185004	218
12185005	216, 217, 218
12185008	206, 216
12185009	216
12185026	209
12185027	209
12185079	223
12185080	202, 205
12185081	202, 205
12185082	223
12185085	203, 204
12185088	223
12185126	207, 208
12185129	207, 217
12185227	210
12185235	217
12185236	217
12185237	207, 217
12185243	251
12185268	263
12185269	263
12185277	218, 219
12185278	218
12185279	72
12185280	72
12185284	202, 204
12185521	251
12185550	216
12185636	62
12185643	276
12186041	191
12186043	191
12186065	231
12186320	229
12186347	132
12186353	317
12186400	85, 88
12186869	137, 142

Part#	Page
12186880	137, 141
12191005	310
12191050	171, 182
12191057	306
12191140	171, 183
12191152	14, 36, 46, 239
12191153	14, 36, 46, 239
12191154	46
12191155	18, 292, 299
12191156	46
12191216	236, 237
12191217	236, 237
12191220	308
12191221	26, 36, 46
12191222	26, 36, 46
12191223	26, 36, 46
12191226	239
12191227	239
12191235	26, 36, 46
12191243	228, 231
12191293	185
12191375	185
12191461	310
12191487	145, 151
12191497	259, 270
12191499	144, 151
12191522	228, 233
12191544	259, 264
12191557	46
12191773	310
12191787	310
12191811	10, 32, 40, 236
12191812	10, 32, 40, 236
12191818	14, 36, 46, 239
12191819	14, 36, 46, 239
12191847	269
12191848	259, 269
12191849	259, 269
12191900	239, 240
12191901	239, 240
12191904	240
12191905	239, 240
12191908	240
12191910	239, 240
12191911	239, 240

Part#	Page
12191914	240
12196895	252, 253
12197134	218, 219
12197559	248
12198102	252
12198103	252
12198151	248
12198198	312
12198409	248, 249
12198533	202, 203, 204
15300002	85, 87
15300003	85, 87
15300014	85, 87
15300015	85, 87
15300016	88
15300027	84, 87
15304621	229
15304622	229
15304690	42
15304692	40, 42
15304694	40, 42
15304695	41, 42
15304701	11, 33, 41
15304702	11, 33, 41
15304710	22, 32, 40
15304711	22, 32, 40
15304712	22, 32, 40
15304713	22, 32, 40
15304715	46
15304716	46
15304717	46
15304718	26, 36, 46
15304719	26, 36, 46
15304720	26, 36, 46
15304722	23, 33, 41
15304723	23, 33, 41
15304724	23, 33, 41
15304725	23, 33, 41
15304727	47
15304728	47
15304729	47
15304730	27, 37, 47
15304731	27, 37, 47
15304732	27, 37, 47
15304841	41, 45

<http://delphi.com/products/connect>



Part#	Page
15304842	40, 45
15304850	309
15304902	47, 49
15304903	47, 49
15304904	46, 49
15304905	46, 49
15304908	40, 44
15304912	41, 44
15304913	40, 44
15305003	285
15305118	310
15305119	310
15305152	259, 269
15305169	18
15305170	27, 37, 47
15305171	15, 37, 47, 239
15305216	45
15305288	236, 238
15305289	236, 238
15305291	236, 238
15305292	236, 238
15305294	236, 238
15305295	236, 238
15305297	236, 238
15305298	236, 238
15305300	236, 238
15305350	18, 292, 299
15305351	18, 292, 299, 312
15305473	228, 231
15305504	309
15305508	310
15313892	335
15317321	41, 43
15317322	41, 43
15317323	41, 43
15317325	40, 43
15317326	40, 43
15317352	145, 151
15317380	47, 49
15317550	41, 42
15317575	72
15317651	228, 233
15317652	228, 233
15317694	50, 52
15317735	50, 51

Part#	Page
15317798	309
15317814	50
15317815	50
15317828	50, 51
15317832	12, 13, 16, 17, 20, 21, 24, 25, 28, 29, 34, 38, 293, 294, 295, 296, 300, 301
15318080	82
15318209	310
15324032	259, 264, 267, 269
15324063	85, 88
15324332	160, 162, 170, 186
15324456	91, 160, 162
15324525	67, 70
15324722	228, 232
15324764	136, 137, 142
15324857	88, 91
15326004	26, 36, 46
15326063	43
15326064	43
15326082	32, 34
15326084	36, 38
15326085	37, 38
15326110	22, 25
15326177	41, 45, 50, 52
15326266	18, 292, 299
15326268	15, 37, 47
15326269	15, 37, 47
15326290	230
15326291	230
15326389	19, 20
15326556	19, 21
15326614	26, 28
15326623	27, 28
15326631	26, 28
15326633	27, 28
15326635	26, 28
15326640	27, 28
15326642	26, 28
15326647	27, 28
15326654	26, 29
15326655	27, 29
15326660	26, 29
15326661	27, 29
15326666	26, 29

Part#	Page
15326667	27, 29
15326678	27, 28
15326679	26, 28
15326762	41, 44
15326799	41, 44, 50, 51
15326801	14, 16
15326806	15, 16
15326808	14, 16
15326813	15, 16
15326815	14, 16
15326820	15, 16
15326822	14, 16
15326827	15, 16
15326829	14, 16, 20
15326833	15, 16
15326835	14, 17
15326840	15, 17
15326842	14, 17
15326847	15, 17
15326849	14, 17
15326854	15, 17
15326856	14, 17
15326861	15, 17
15326863	14, 17
15326868	15, 17
15326870	22, 24
15326874	23, 24
15326877	22, 24
15326881	23, 24
15326886	22, 24
15326890	23, 24
15326893	22, 24
15326897	23, 24
15326900	22, 24
15326904	23, 24
15326910	26, 29
15326915	27, 29
15326917	26, 29
15326922	27, 29
15326924	22, 25
15326928	23, 25
15326931	22, 25
15326935	23, 25
15326939	36, 38
15326942	23, 25

Part#	Page
15326952	22, 25
15326956	23, 25
15327126	313
15327153	224
15327154	224
15327155	224
15327159	199, 221
15327160	220, 224
15327164	224
15327190	201
15327221	248, 249
15327398	248
15327399	248
15327400	248
15327416	248, 250
15327622	280
15327625	281
15327626	280
15327627	281
15327628	281
15327645	278, 279
15327646	278, 279
15327654	224
15327655	224
15327694	281
15327747	87
15327799	68
15327859	312
15327863	312
15327864	313
15327913	312
15327918	312
15327998	313
15332129	10, 12
15332130	11, 12
15332132	10, 12
15332133	11, 12
15332135	10, 12
15332136	11, 12
15332138	10, 12
15332139	11, 12
15332141	10, 12
15332142	11, 12
15332145	10, 13
15332150	11, 13

Part Number Index



Part#	Page
15332153	10, 13
15332158	11, 13
15332161	10, 13
15332166	11, 13
15332169	10, 13
15332174	11, 13
15332177	10, 13
15332182	11, 13
15335987	19, 21
15335987	292, 294, 295, 296
15336001	19, 21
15336004	19, 20, 292, 293, 299, 300, 301
15336013	19, 20
15336024	18, 19, 292, 293, 299, 300, 301
15336027	18, 19
15336029	18, 19
15336034	37, 38
15336037	36, 38
15336116	30
15336117	30
15336121	19, 20
15336173	47, 48
15336177	46, 48
15336205	32, 34
15336209	33, 34
15336219	32, 34
15336224	33, 34
15336267	46, 49
15336387	41, 45, 50, 52
15336417	41, 45
15336418	46, 49
15336467	42
15336468	41, 42
15336766	202, 204

Part#	Page
15337197	207, 217, 312
15337204	313
15337207	313
15337249	284
15338470	313
15339412	312
15339818	284
15339967	312
15343826	312
15343827	312
15344032	212, 313
15344032	313
15344037	198, 200
15344038	199, 200
15344040	209
15344042	209
15344052	206, 208
15344054	213, 214
15344060	218
15344061	218
15344069	216, 218
15344072	210, 211
15344102	313
15344103	312
15344104	313
15344324	220, 221
15344324	312
15344628	102
15344630	251
15344631	213
15344632	213
15344642	313
15344643	312
15344644	313
15344645	313
15344646	313

Part#	Page
15344647	313
15344665	279
15344666	312
15344715	312
15344716	312
15344856	319
15354674	202, 203, 204
15354716	18, 19
15354753	306
15354754	306
15354755	306
15354756	306
15354757	306
15354758	306
15355268	19, 20
15355317	19, 20
15355319	19, 21
15355323	19, 20
15355325	19, 21
15355329	19, 21
15355331	19, 20
15355331	19, 20
15355380	50, 52
15355521	306
15357040	160, 162, 170, 186
15357042	171, 186
15357044	186
15357046	186
15359287	40, 45
15363604	313
15363605	313
15363779	313
15363846	248, 250
15363852	248, 249
15363980	313
15363981	206, 216

Part#	Page
15363992	206, 216, 312
15364309	252, 253
15364318	252, 253
15366021	14, 36, 46, 312
15366022	18, 292, 299, 312
15366060	14, 36, 46, 312
15366061	46
15366063	46
15366064	46
15366065	26, 36, 46
15366066	26, 36, 46
15366067	26, 36, 46
15366099	46, 48
15369322	46, 48
15373421	47, 48
15373422	46, 48
15393744	45
15394027	136, 142
15396848	63
15396849	63
15408312	242
15418982	41, 42
15418983	41, 43
15418984	41, 44, 50, 51
15422562	37, 38
15427170	318
15439875	318
15357044	186
15357046	186
15373421	47, 48
15439875	318
15427170	318

<http://delphi.com/products/connect>

